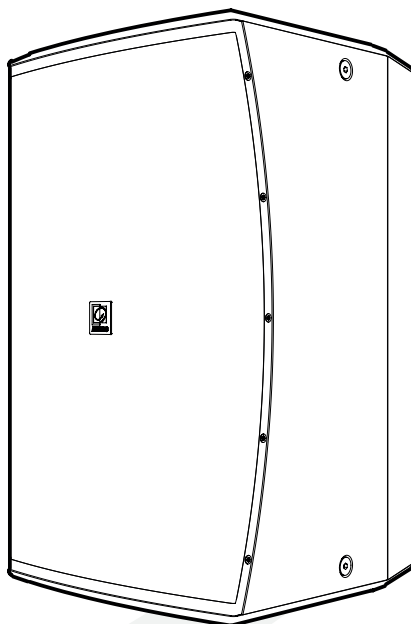


# VEXO1xx



<b>Introduction</b>	<b>03</b>
High performance loudspeaker .....	03
<b>Precautions</b>	<b>04</b>
<b>Chapter 1</b>	<b>06</b>
Overview and connecting VEXO1xx .....	06
<b>Chapter 2</b>	
Horizontal mounting - rotate the horn .....	07
<b>Technical specifications</b>	<b>08</b>

## ADDITIONAL INFORMATION

This manual is put together with much care, and is as complete as could be on the publication date. However, updates on the specifications, functionality or software may have occurred since publication. To obtain the latest version of both manual and software, please visit the Audac website @ [www.audac.eu](http://www.audac.eu).



## High performance loudspeaker

The VEXO1xx is a high-output loudspeaker cabinet, providing a powerful and detailed sound in a compact cabinet. Their elegant enclosure allows them to be used in modern and trendy installation applications such as bars and nightclubs, while their functional features make them perfect for use in compact mobile systems. It delivers a powerful sound. Compression driver overload protection is provided through an internal limiting circuit. Mounting in both horizontal and vertical directions is possible with the optional wall bracket and the rotatable horn. A standard 35mm pole adapter can be installed when used in mobile applications. The VEXO1xx loudspeaker is available in Black (/B) or White (/W).

## READ FOLLOWING INSTRUCTIONS FOR YOUR OWN SAFETY

ALWAYS KEEP THESE INSTRUCTIONS. NEVER THROW THEM AWAY

ALWAYS HANDLE THIS UNIT WITH CARE

HEED ALL WARNINGS

FOLLOW ALL INSTRUCTIONS

NEVER EXPOSE THIS EQUIPMENT TO RAIN, MOISTURE, ANY DRIPPING OR SPLASHING LIQUID. AND NEVER PLACE AN OBJECT FILLED WITH LIQUID ON TOP OF THIS DEVICE

NO NAKED FLAME SOURCES, SUCH AS LIGHTED CANDLES, SHOULD BE PLACED ON THE APPARATUS

DO NOT PLACE THIS UNIT IN AN ENCLOSED ENVIRONMENT SUCH AS A BOOKSHELF OR CLOSET. ENSURE THERE IS ADEQUATE VENTILATION TO COOL THE UNIT. DO NOT BLOCK THE VENTILATION OPENINGS.

DO NOT STICK ANY OBJECTS THROUGH THE VENTILATION OPENINGS.

DO NOT INSTALL THIS UNIT NEAR ANY HEAT SOURCES SUCH AS RADIATORS OR OTHER APPARATUS THAT PRODUCE HEAT

DO NOT PLACE THIS UNIT IN ENVIRONMENTS WHICH CONTAIN HIGH LEVELS OF DUST, HEAT, MOISTURE OR VIBRATION

THIS UNIT IS DEVELOPED FOR INDOOR USE ONLY. DO NOT USE IT OUTDOORS

PLACE THE UNIT ON A STABLE BASE OR MOUNT IT IN A STABLE RACK

ONLY USE ATTACHMENTS & ACCESSORIES SPECIFIED BY THE MANUFACTURER

UNPLUG THIS APPARATUS DURING LIGHTNING STORMS OR WHEN UNUSED FOR LONG PERIODS OF TIME

ONLY CONNECT THIS UNIT TO A MAINS SOCKET OUTLET WITH PROTECTIVE EARTHING CONNECTION

THE MAINS PLUG OR APPLIANCE COUPLER IS USED AS THE DISCONNECT DEVICE, SO THE DISCONNECT DEVICE SHALL BE READILY OPERABLE

USE THE APPARATUS ONLY IN MODERATE CLIMATES

**CAUTION - SERVICING**

This product contains no user serviceable parts. Refer all servicing to qualified service personnel. Do not perform any servicing (unless you are qualified to)

**EC DECLARATION OF CONFORMITY**

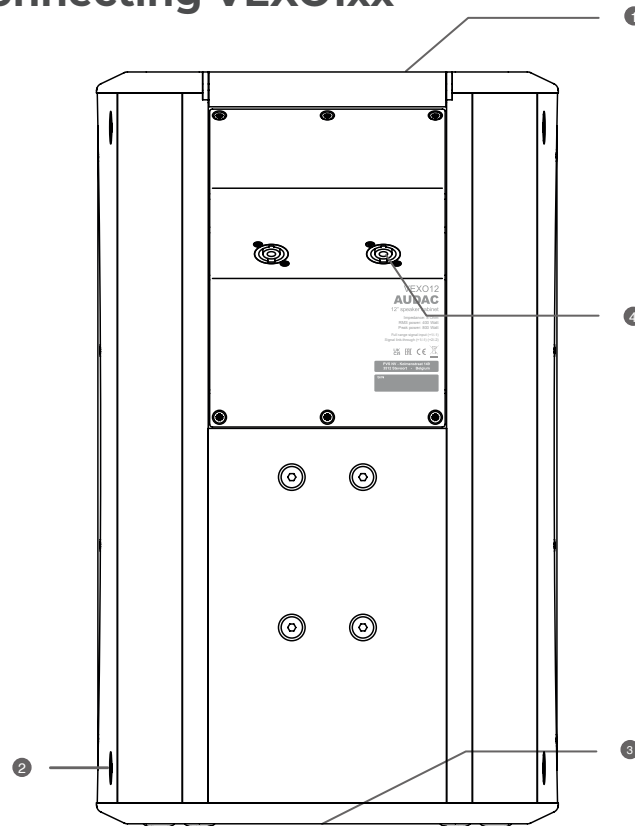
This product conforms to all the essential requirements and further relevant specifications described in following directives: 2014/30/EU (EMC2) & 2014/35/EU (LVD).

**WASTE ELECTRICAL AND ELECTRONIC EQUIPMENT (WEEE)**

The WEEE marking indicates that this product should not be disposed with regular household waste at the end of its life cycle. This regulation is created to prevent any possible harm to the environment or human health.

This product is developed and manufactured with high quality materials and components which can be recycled and/or reused. Please dispose this product at your local collection point or recycling centre for electrical and electronic waste. This will make sure that it will be recycled in an environmentally friendly manner, and will help to protect the environment in which we all live.

## Overview and connecting VEXO1xx



### 1) Integrated carry handle

The integrated handle allows easy movement and handling of the speaker. This feature is available on all VEXO series loudspeakers but not on VEXO 108.

### 2) Rigging points

The VEXO1xx is equipped with ten M10 rigging points, except VEXO 108. The VEXO 108 is equipped with single M10 and M6 rigging points on the top and four M8 and four M6 rigging point on the rear. At these points, the VEXO1xx can be mounted to various rigging applications.

At the back of the unit, you will find a M8 mounting pattern. This universal pattern serves as mounting point for various mounting arrangements.

### 3) Integrated 35 mm pole adapter:

The pole adapter makes it possible to install the VEXO quickly and conveniently on speaker stands with a tube diameter of 35 mm.

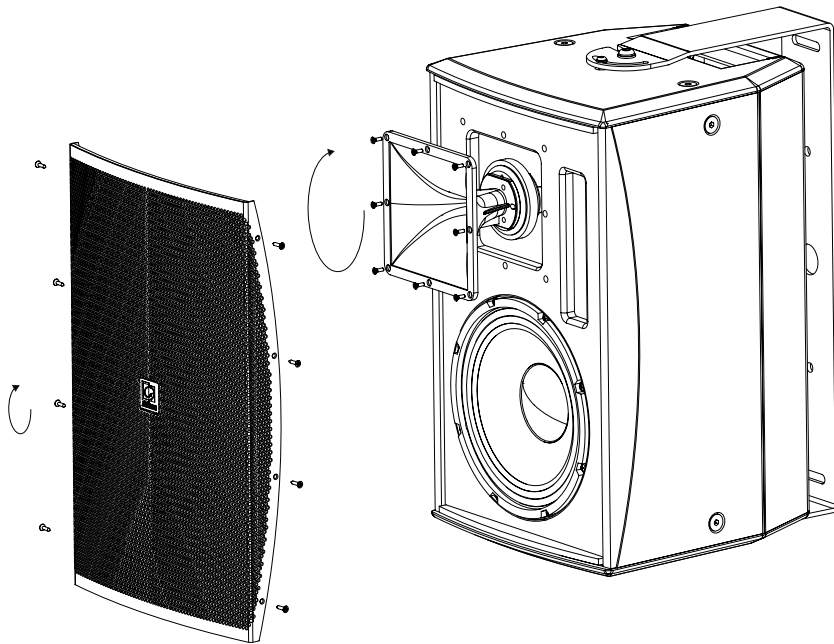
### 4) SpeakON compatible

The wires coming from the amplifier should be connected to the speakON on the back of the loudspeaker. The used speaker connectors are 4-pin models where to the full range signal should be connected to +1/-1 terminals.

The second connector can be used for linking the signal coming from the amplifier to other loudspeakers, resulting in a parallel network of multiple loudspeakers.

## Horizontal mounting - rotate the horn

By default, on vertical mounting, the horn coverage pattern is 90° vertical and 70° horizontal. If the speaker is mounted horizontally, the horn must be rotated 90°. This is needed to maintain the correct coverage pattern (90° x 70°).

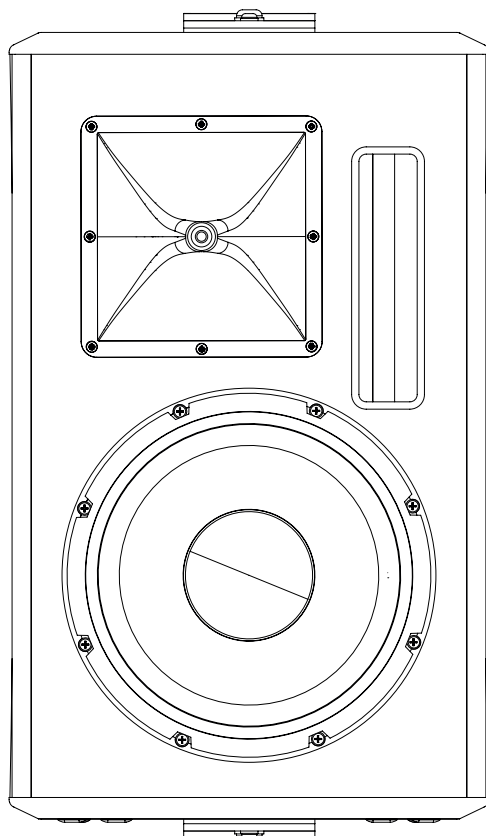


To rotate the VEXO1xx's horn, the grille must be removed first. To do this, the eight screws on the sides must be unscrewed.

Once the grille is removed, the eight screws that hold the horn must be unscrewed. Once these are unscrewed, the horn can be rotated 90°.

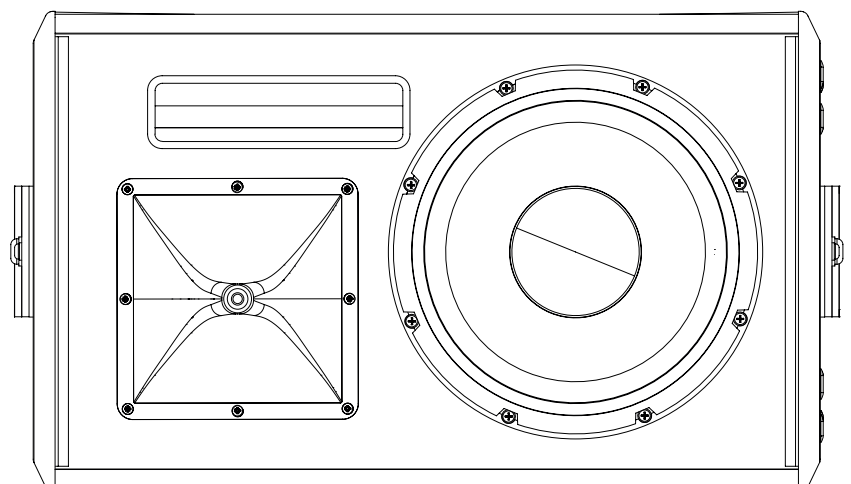
After the horn is rotated, the horn and the grille can be reattached using the same screws respectively.

The AUDAC logo can be also rotated. No tools are required for this. Simply, pull the logo out slightly and rotate it.



In case of uncertainty, check the rotation of the horn to ensure the best sound experience.

Compare the position of the horn with the corresponding drawings.



# Technical specifications



	VEXO108	VEXO110	VEXO112	VEXO115
Peak Power handling	800 Watt	1200 Watt	1600 Watt	2000 Watt
Program Power handling	400 Watt	600 Watt	800 Watt	1000 Watt
RMS/AES power handling	200 Watt	300 Watt	400 Watt	500 Watt
Nominal impedance	8 Ohm	8 Ohm	8 Ohm	8 Ohm
Sensitivity 1W/1m	95 dB	96 dB	99 dB	100 dB
Sound pressure Max W/1m	118 dB	121 dB	125 dB	127 dB
Frequency response - 3dB	70 Hz - 20 kHz	65 Hz - 20 kHz	58 Hz - 20 kHz	50 Hz - 20 kHz
Drivers	1.4" HF compression horn tweeter		1.7" HF compression horn tweeter	
	8" MF / LF woofer	10" MF / LF woofer	12" MF / LF woofer	15" MF / LF woofer
Coverage	90° x 70° (rotatable)			
Connectors	2 x speaker connectors (linkthrough) Speakon compatible			
Construction	Plywood with Polyurethane coating			
Front finish	Powder coated steel grill with acoustical foam			
Rigging points	4 x M8 & 4 x M6 (rear), 1 x M10 & 1 x M6 (top)	10 x M10 (2 x top, 3 x bottom, 2 x each side, 1 x rear)		
Stand fitting	35 mm pole adapter on bottom			
Handle	None	1 x on top		
Mounting pattern	108 x 50.8 mm	108 x 50.8 mm	127 x 70 mm	127 x 70 mm
Colour	White (RAL9003)			
	Black (RAL9004)			
Dimensions (w x h x d)	244 x 425 x 256 mm	329 x 540 x 345 mm	369 x 610 x 390 mm	429 x 690 x 450 mm
Weight	9.4 Kg	17.7 Kg	23.3 Kg	28.9 Kg
Optional accessories	Wall & ceiling mounting bracket (MBK series)			
	70/100V transformer module			