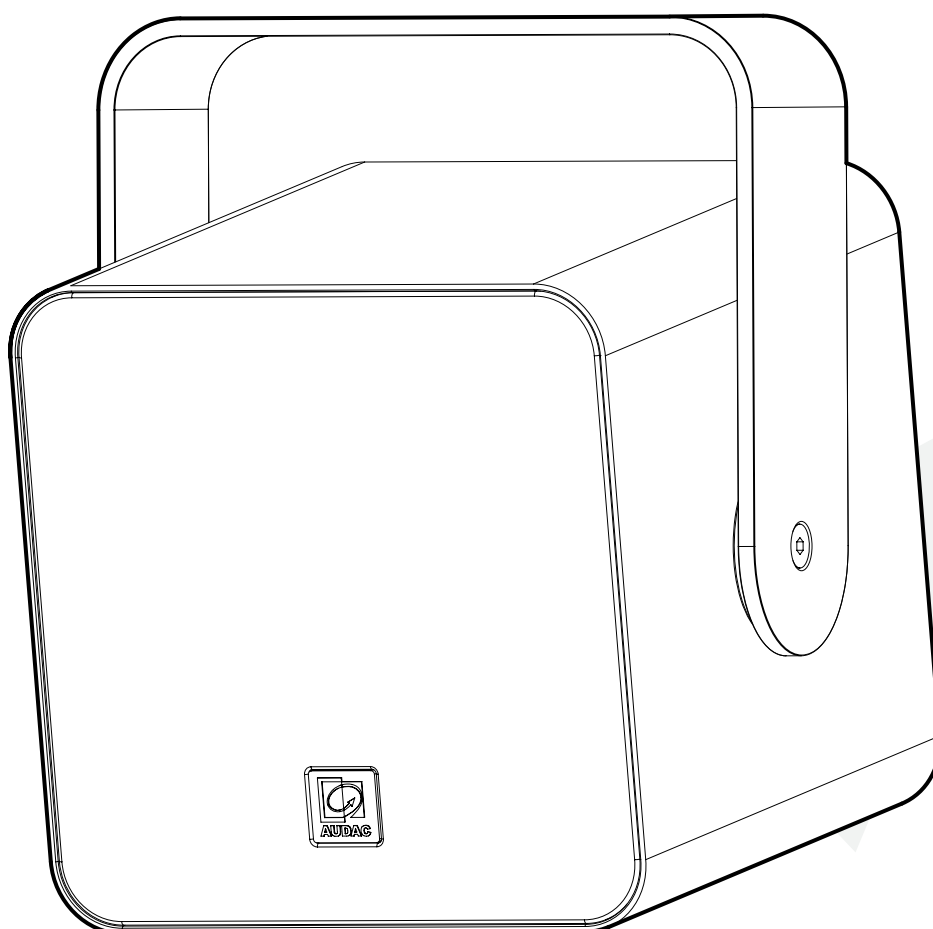


VIRO5



ADDITIONAL INFORMATION

This manual is put together with much care, and is as complete as could be on the publication date. However, updates on the specifications, functionality or software may have occurred since publication. To obtain the latest version of both manual and software, please visit the Audac website @ www.audac.eu.



Introduction	05
A sound that lasts	05
Precautions	06
Chapter 1	07
Connections and connectors	07
Chapter 2	08
Overview VIRO: Back	08
Chapter 3	010
Bracket	010
Chapter 4	011
Connecting VIROs	011
Set solutions	011
Chapter 5	012
optional accessories	012
Installing the optional transformer module (TRV106)	012
Optional mounting accessories	013
3/8" stand fitting	013
Ground pin	013
Pole mount	014
Technical specifications	015

A sound that lasts

The VIRO is a powerful 2-way performance speaker which is designed for outdoor and indoor use, ensuring true-to-nature, high fidelity reproduction of music and speech in every environment, ranging from residential applications to the most demanding outdoor applications in parks, hotels and even clubs.

Its stunningly design is made of robust and elegant aluminium. The aluminium construction and grill with hydrophobic cloth provides the necessary protection for all weather conditions. The combination of the cloth, sealing rubbers and drainage holes on the bottom of the speaker make it IP55 compliant. The VIRO loudspeaker is available in Black (/B) or White (/W).

READ FOLLOWING INSTRUCTIONS FOR YOUR OWN SAFETY

ALWAYS KEEP THESE INSTRUCTIONS. NEVER THROW THEM AWAY

ALWAYS HANDLE THIS UNIT WITH CARE

HEED ALL WARNINGS

FOLLOW ALL INSTRUCTIONS

NO NAKED FLAME SOURCES, SUCH AS LIGHTED CANDLES, SHOULD BE PLACED ON THE APPARATUS

DO NOT STICK ANY OBJECTS THROUGH THE VENTILATION OPENINGS.

DO NOT INSTALL THIS UNIT NEAR ANY HEAT SOURCES SUCH AS RADIATORS OR OTHER APPARATUS THAT PRODUCE HEAT

PLACE THE UNIT ON A STABLE BASE OR MOUNT IT IN A STABLE RACK

ONLY USE ATTACHMENTS & ACCESSORIES SPECIFIED BY THE MANUFACTURER

UNPLUG THIS APPARATUS DURING LIGHTNING STORMS OR WHEN UNUSED FOR LONG PERIODS OF TIME

USE THE APPARATUS ONLY IN MODERATE CLIMATES



CAUTION - SERVICING

This product contains no user serviceable parts. Refer all servicing to qualified service personnel. Do not perform any servicing (unless you are qualified to)



EC DECLARATION OF CONFORMITY

This product conforms to all the essential requirements and further relevant specifications described in following directives: 2014/30/EU (EMC) & 2014/35/EU (LVD).



WASTE ELECTRICAL AND ELECTRONIC EQUIPMENT (WEEE)

The WEEE marking indicates that this product should not be disposed with regular household waste at the end of its life cycle. This regulation is created to prevent any possible harm to the environment or human health.

This product is developed and manufactured with high quality materials and components which can be recycled and/or reused. Please dispose this product at your local collection point or recycling centre for electrical and electronic waste. This will make sure that it will be recycled in an environmentally friendly manner, and will help to protect the environment in which we all live.

Chapter 1

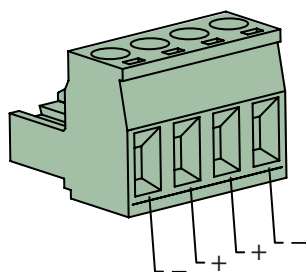
Connections and connectors

CONNECTION STANDARDS

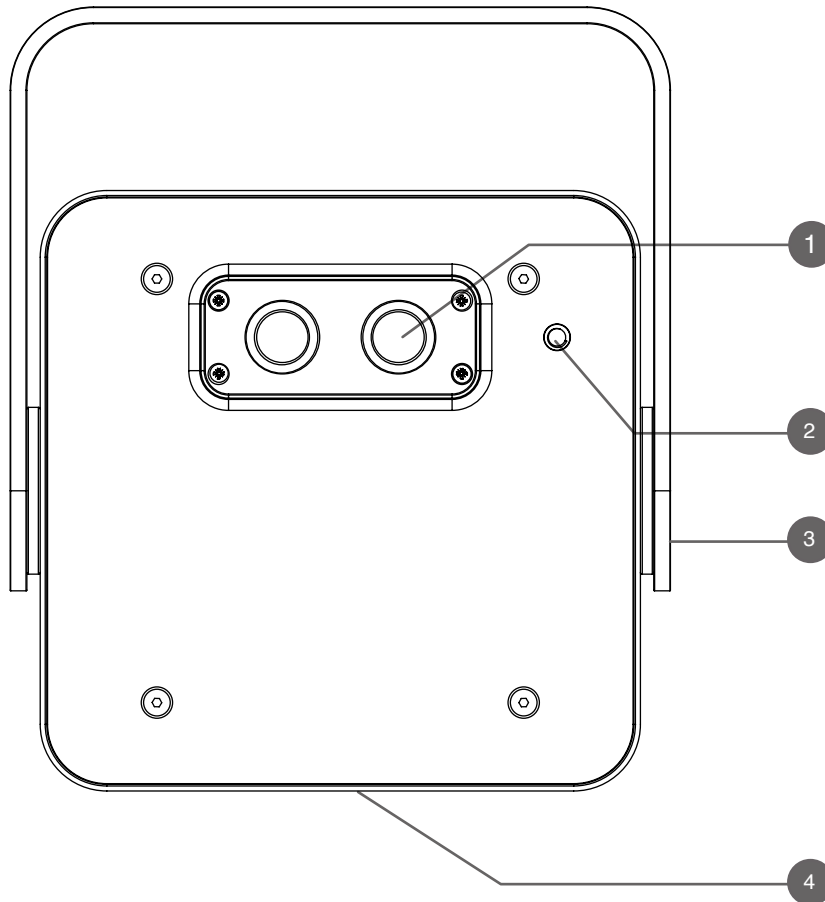
The in- and output connections for AUDAC audio equipment are performed according to international wiring standards for professional audio equipment

4-Pin Terminal block:

For signal input and output linking connections



Overview VIRO: Back



1) Cable entry plate

To connect the VIRO, the cable must pass through the backplate. The VIRO has two standard cable grommets in the provided openings. This grommet provides water tight protection.

An optional speakON connection plate with two speakON compatible connectors (CVS102) is available. It can be installed by loosening the four screws of the cable entry plate. To connect, the back plate must be released.

2) Drop safety bushing

The VIRO5 has a M6 safety bushing. This provides the option of mounting drop safety wires. Please check your local regulations if this is required. A drop safety wire (STG601) is optionally available from our products range as an accessory.

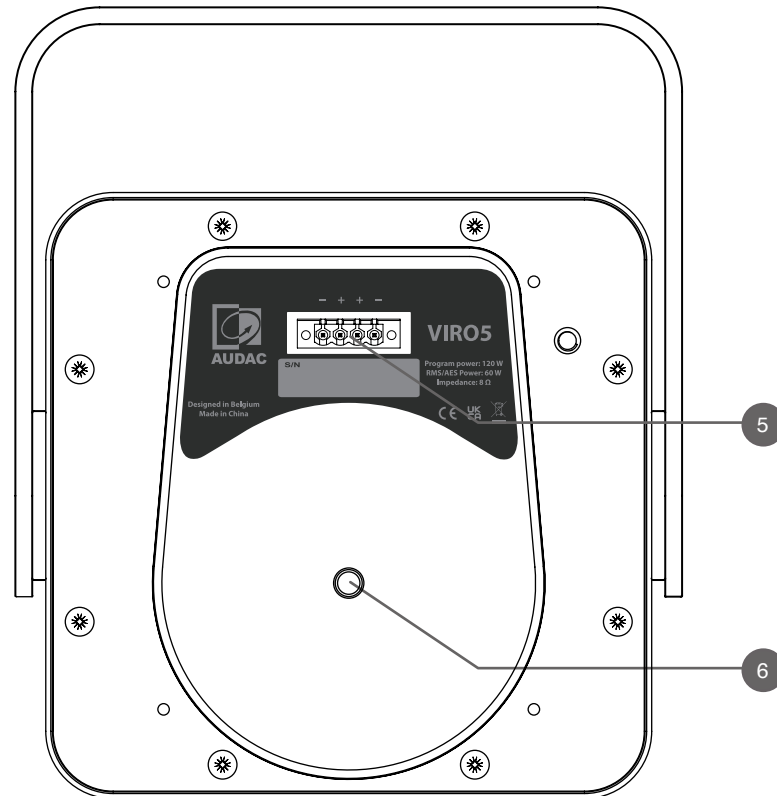
3) Bracket

The bracket of the VIRO is attached to the centre point of the speaker. It is designed in such a way that it can be fully rotated around the centre point. This allows the bracket to be mounted in all directions. More information about the bracket in 'Chapter 3'.

4) Water drainage holes

Two drainage holes are located at the bottom of the VIRO. The loudspeaker has a protection class of IP55 thanks to the sealing rubbers, the water-repellent cloth behind the grill and the drainage holes.

Install VIRO at a minimum down tilt of 5°. Standing water is avoided through this installation. At the same time, make sure that the drainage holes are located at the bottom.



5) Terminal block

The VIRO has the possibility of a link through connection. For this purpose, a 4-pole terminal block is provided. The wires coming from the amplifier must be connected to the left poles of the terminal block via the cable entry plate.

The correct polarity is indicated above the connector. Make sure that the polarity is correct throughout the system.

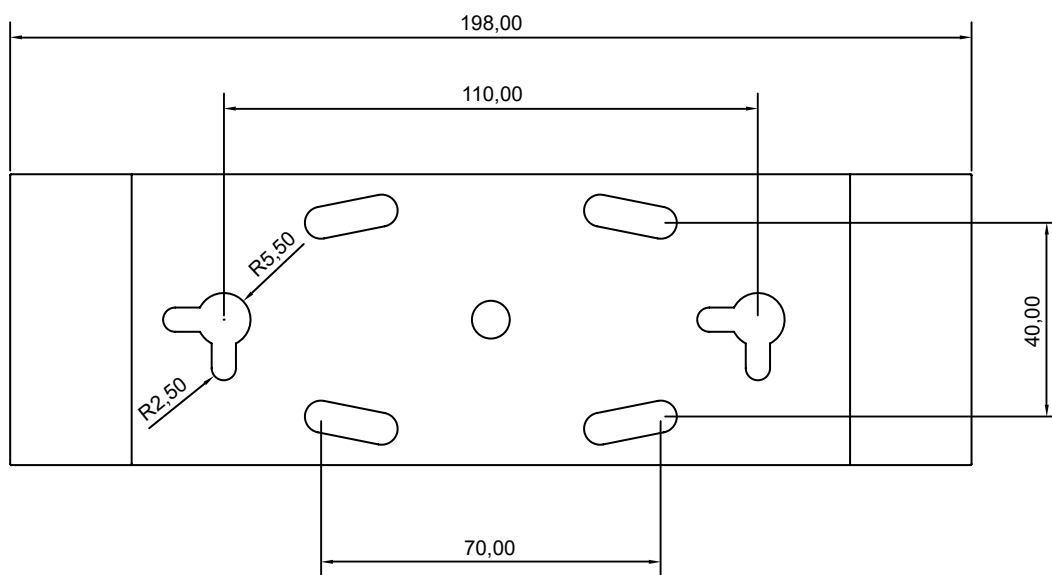
6) Transformer module point

Mounting point for the optional 70/100V transformer module (TRV106).

Bracket

The bracket of the VIRO is attached to the centre point of the speaker. It is designed in such a way that it can be fully rotated around the centre point. This allows the bracket to be mounted in all directions, on the ceiling, wall or floor. As a result, VIRO can be attached to various accessories.

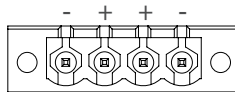
For a solid fixation of the loudspeaker, it should always be attached by at least two screws. The position of the fastening holes depends on the surface to be mounted. Always use the proper fasteners depending of the mounting surface. Once the bracket is mounted on the desired location, the loudspeaker can be fixed to the bracket.



Connecting VIROs

Multiple VIROs can be connected in parallel. Mind the minimum load impedance of the amplifier. The number of VIRO's to be connected will depend whether 8 (VIRO5) or 16 (VIRO5D) Ohm variants will be used.. Make sure that all devices are switched off.

Connect the amplifier to the far left +/- of the 4-pin terminal block. The right-hand +/- at the terminal block is the connection to the next VIRO. If the optional transformer module is installed, the linkthrough must be done at the primary side of the transformer.



Set solutions

Specifying and combining an audio system does not have to be difficult, and AUDAC proves it with its extensive range of set solutions.

The set solutions are the result of AUDAC's audio engineers helping you choose between AUDAC's most innovative acoustic craftsmanship.

With the set solutions, you immediately have a total package which is perfectly tuned for the right application.

Please visit <https://audac.eu/eu/audio-configurator> to find the best solution for your application

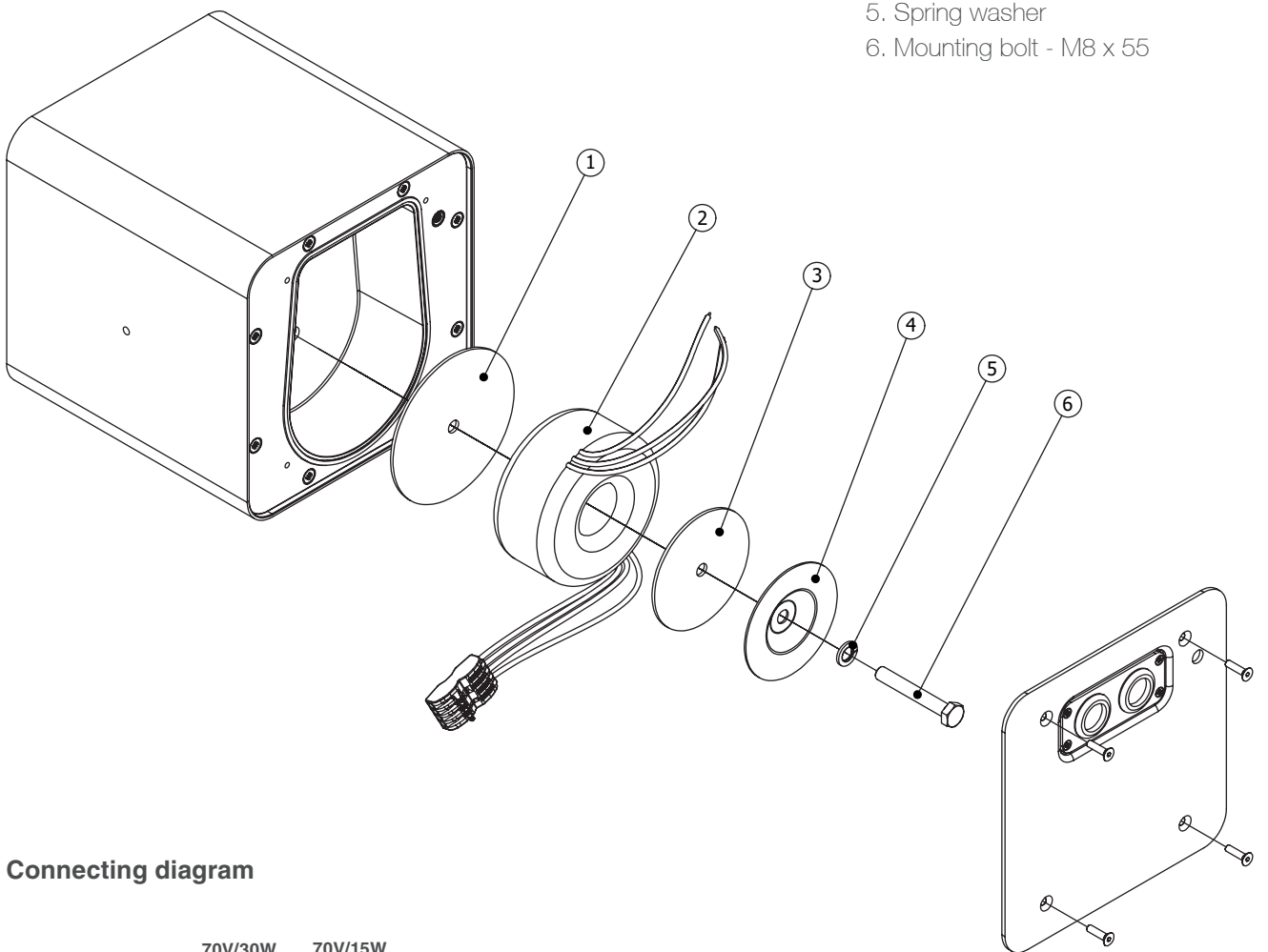
FESTA5.5	4X VIRO5	BASO12	SMQ500
FESTA5.9	8X VIRO5	BASO15	SMQ750
FESTA5.3	2X VIRO5	NOBA8	SMAQ350
FESTA5.6	4X VIRO5	2x BASO12	SMAQ500

These are some examples of our set solutions, but many other combinations are possible. With our ever-growing product range, the number of product combinations grows correspondingly.

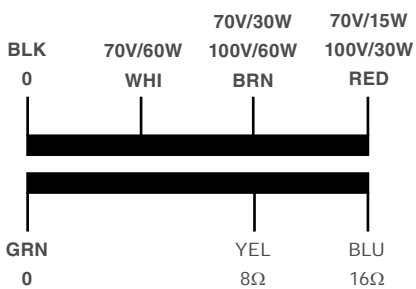
optional accessories

Installing the optional transformer module (TRV106)

1. Big rubber washer
2. Transformer
3. Small rubber washer
4. Recessed mounting dish
5. Spring washer
6. Mounting bolt - M8 x 55



Connecting diagram

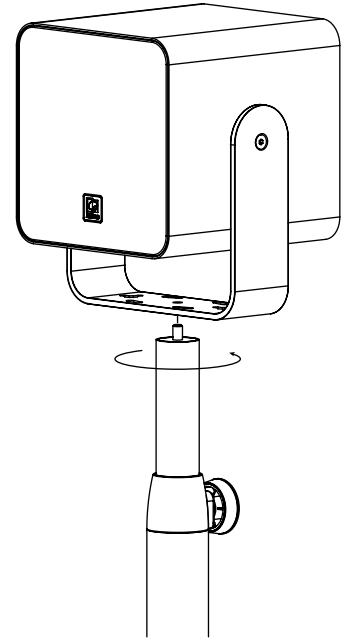


Optional mounting accessories

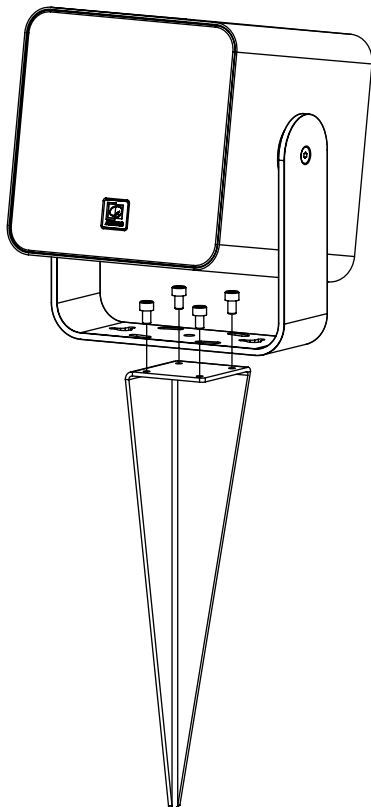
3/8" stand fitting

The bracket of the VIRO has a 3/8" stand fitting. This allows the VIRO to be mounted on microphone stands or any other possible accessory requiring a 3/8" fixation point

Screw on the loudspeaker to secure it.



Ground pin



The MBK523/G ground pin is specially designed for mounting loudspeakers. The optional stainless steel ground pin makes it possible to provide all kinds of gardens with the premium sound experience of the outdoor loudspeaker.

Place the ground pin, without a speaker attached, in the desired location.

Check for the presence of large rocks and if the soft soil is deep enough.

Place the ground pin in the ground without the use of any tools.

The use of tools such as hammers, drills etc. may damage the ground pin. Mount the speaker to the ground pin by securing it with the four M6 bolts provided.

The mounting holes on the ground pin are tapped, making the use of nuts unnecessary.

Pole mount

This pole mount adapter allows speakers to be mounted to different poles.

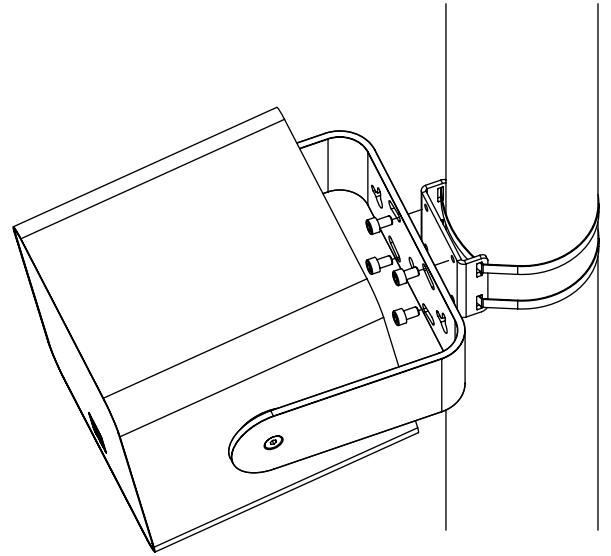
Fix the MBK530 to the desired pole and height without a speaker mounted.

The pole mount can be attached to poles with a diameter ranging from 75 mm to 140 mm.

Tighten by closing the hose clamp.

Mount the loudspeaker to the pole mount by securing it with the four M6 bolts provided.

The mounting holes on the pole mount are tapped, making the use of nuts unnecessary.



Technical specifications



Peak Power handling	240 Watt	
Program Power handling	120 Watt	
RMS/AES power handling	60 Watt	
Nominal impedance	VIRO5: 8 Ohm VIRO5D: 16 Ohm	
Sensitivity 1W/1m	89 dB	
Sound pressure Max W/1m	110 dB	
Frequency response ± 3 dB	100 Hz - 20 kHz	
Drivers	2-way coaxial driver	1" Silk dome tweeter 5 1/4" outdoor treated paper with rubber surround
Construction	Powder coated aluminium	
Front finish	Aluminium with hydrophobic cloth	
Colour	White (RAL9003)	VIRO5/W & VIRO5D/W
	Black (RAL9004)	VIRO5/B & VIRO5D/B
Dimensions (w x h x d)	198 x 235 x 191 mm	
Weight	4.2 Kg	
Optional accessories	70-100V transformer module	TRV106
	SpeakON connection plate	CVS102
	Ground pin	MBK523/G
	Pole mount	MBK530
	Steel drop safety wire (gripple)	STG601



Discover more on audac.eu