



AT-LP7

User Manual
Belt-Drive Turntable

Manuel de l'utilisateur
Tourne-disque à entraînement par courroie

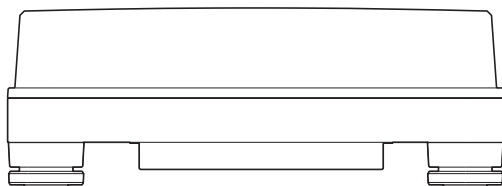
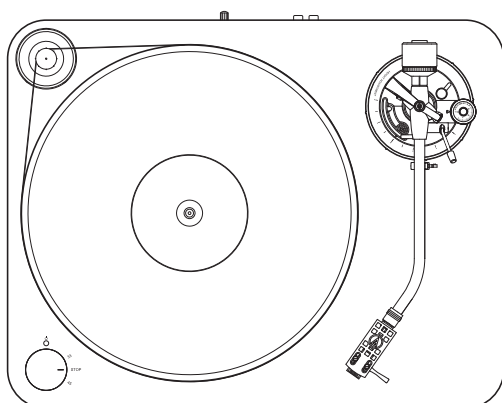
Bedienungsanleitung
Riemenbetriebener Plattenspieler

Manuale dell'utente
Giradischi

Manual de usuario
Giradiscos de tracción por correa

Manual do Usuário
Toca-discos acionado por correa

Руководство пользователя
Проигрыватель с ременным приводом



Introduction

Thank you for purchasing this Audio-Technica product.

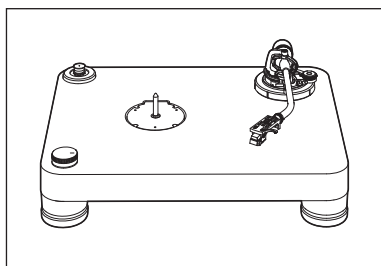
Before using the product, read through this user manual to ensure that you will use the product correctly. Please keep this manual for future reference.

This product can be used only in the countries where the product is sold. Make sure that the operating voltage and the plug of AC adapter of the product are correct for the country you live in.

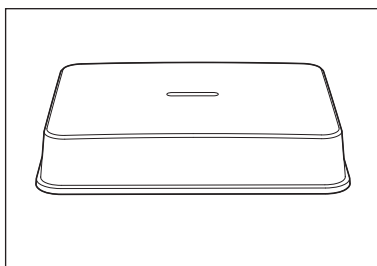
Package contents

Make sure that you have all the included items listed below before using this product.

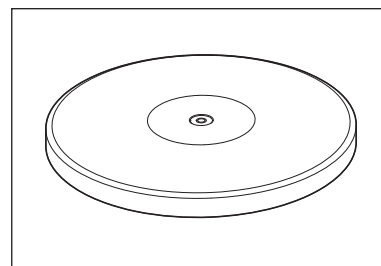
If some items are missing or damaged, contact your local Audio-Technica dealer.



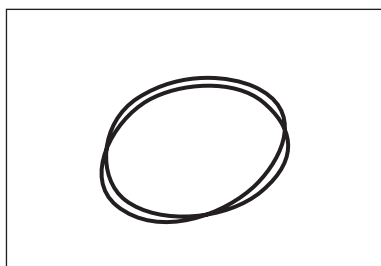
• Turntable body



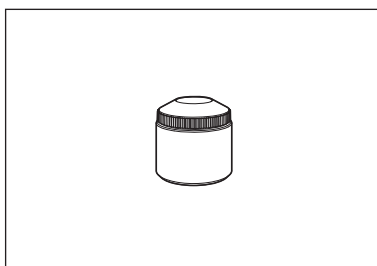
• Dust cover



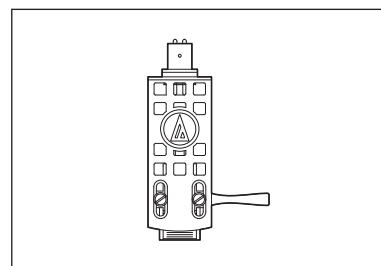
• Platter



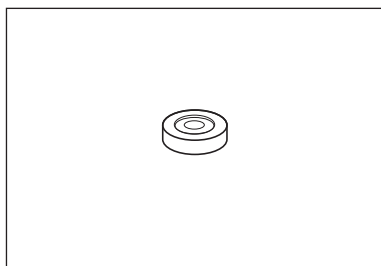
• Drive belt



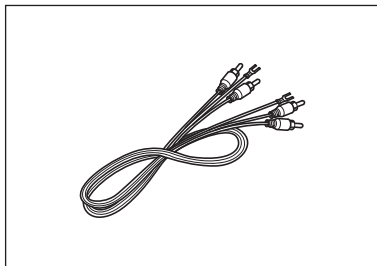
• Counterweight



• Headshell (AT-HS10) with VM stereo cartridge (VM520EB)



• 45 RPM adapter



• RCA audio cable (Approx. 1.4 m (4.6'))

- AC adapter (Approx. 1.3 m (4.3'))
The AC adapter's plug can be removed.
- User manual (this document)

After purchase, we suggest that you save all packaging materials for possible future storage, moving, or shipping.

Safety precautions

Important information

Warning:

To prevent fire or shock hazard, do not expose this apparatus to rain or moisture.

Caution:

Do not expose this apparatus to drips or splashes.

To avoid electric shock, do not open the cabinet.

Refer servicing to qualified personnel only.

Do not expose this apparatus to excessive heat such as sunshine, fire or the like.

Do not subject this apparatus to strong impact.

This apparatus should be located close enough to the AC outlet so that you can easily grasp AC adapter at any time.

In case of emergency, disconnect the AC adapter quickly.

Do not place any objects filled with liquids, such as vases, on this apparatus.

To prevent fire, do not place any naked flame sources (such as lighted candles) on this apparatus.

Do not install this apparatus in a confined space such as a bookcase or similar unit.

To install this apparatus only in the place where ventilation is good.

Notes on use

Turntable body

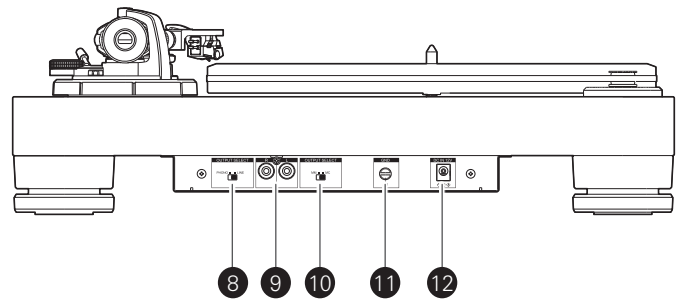
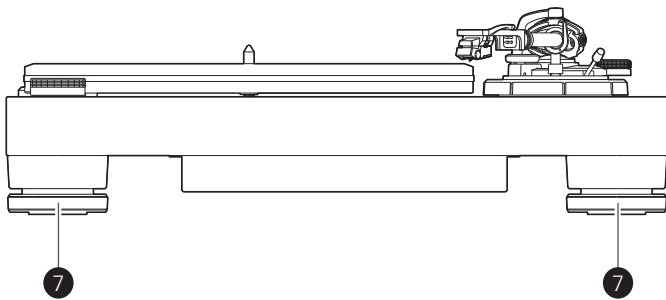
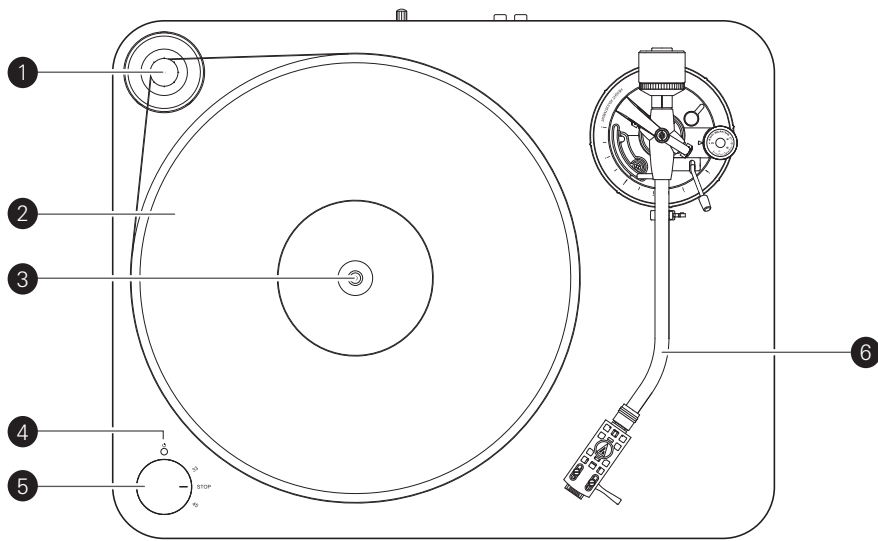
- Do not set and use the product in locations that are considerably hot or humid, dirty, or subject to extreme vibrations.
- The product should be positioned on a flat, level surface.

Cartridge

- Lower the protector to protect the stylus when the product is not in use.
- Do not touch the stylus of the cartridge with your finger.
- Do not allow the cartridge's stylus to bump against the platter or the edge of the record.

Part names and functions

Overall diagram

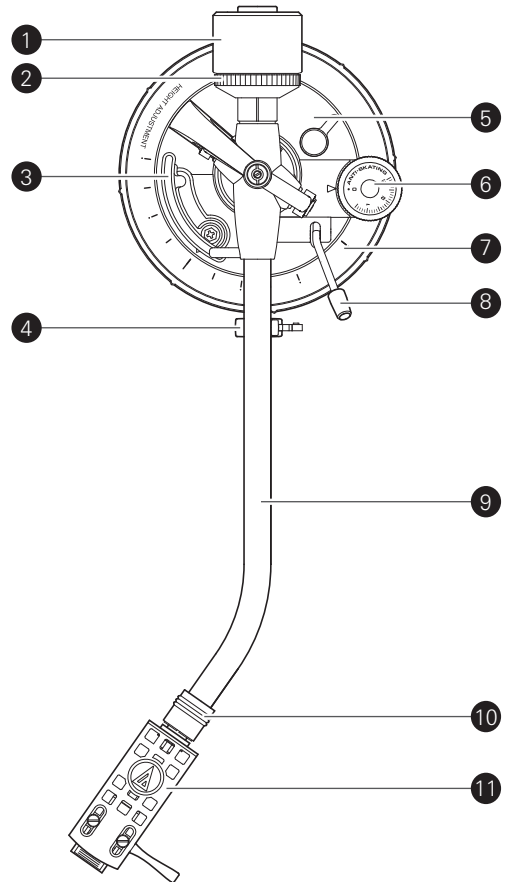


- 1 Motor pulley
- 2 Platter
- 3 Spindle
- 4 Power indicator
- 5 Control knob
Use to start and stop, as well as select the platter's speed.
- 6 Tonearm
For details, refer to "Tonearm" on p. 4.
- 7 Feet
Adjust the level of the product.
- 8 Pre-amplifier selector switch
If connecting to an amplifier's PHONO input jack, set this switch to the PHONO position. If connecting to the AUX jack of an amplifier, set this switch to the LINE position.
- 9 Stereo output terminals
Connect the RCA audio cable. Connect it to either the amplifier's PHONO input jack or its line input jack. The red terminal is the right channel and the white terminal is the left channel.
- 10 MM (VM)/MC cartridge selector switch
If using an MM (VM) cartridge, set this switch to the MM position. If using an MC cartridge, set this switch to the MC position.
- 11 Ground (earth) terminal
Connect the amplifier's ground (earth) terminal to this terminal using the RCA audio cable's ground line.
- 12 Power input jack
Connect the AC adapter.

Part names and functions

Tonearm

- 1 Counterweight
Balances the tonearm and adjusts to provide the proper tracking force.
- 2 Tracking force gauge ring
Use to adjust the tracking force.
- 3 Tonearm lift
Moves the tonearm vertically to and from the face of the record.
- 4 Tonearm rest with clamp
Use the clamp to secure the tonearm so that it does not move.
- 5 Tonearm height setting lever
Adjusts the height of the tonearm.
- 6 Anti-skate control dial
While the record is playing, a force acts on the stylus tip to pull it inward. This force can be counteracted by setting the same values for anti-skate and the tracking force.
- 7 Tonearm height adjustment dial
Use the adjustment dial to adjust the height of the tonearm.
- 8 Tonearm lift control lever
Operates the tonearm lift.
- 9 Tonearm
- 10 Locking ring
Rotate the ring to the left (counterclockwise) to secure the headshell. To remove the headshell, rotate the ring to the right.
- 11 Headshell and cartridge
The cartridge (VM520EB) is attached to the headshell (AT-HS10).



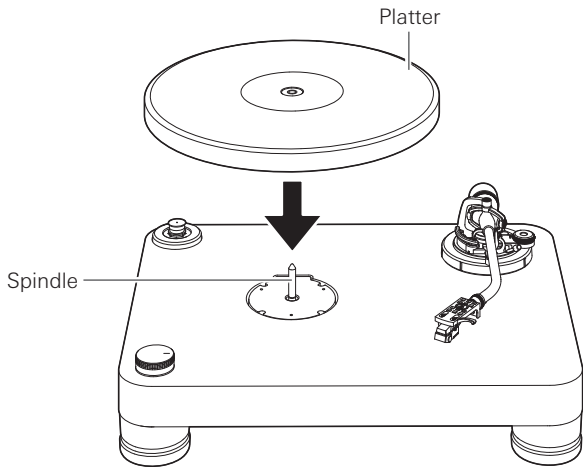
Preparation for use

Placing the platter

This product requires some assembly before using it for the first time. Do not connect the AC adapter until assembly is complete.

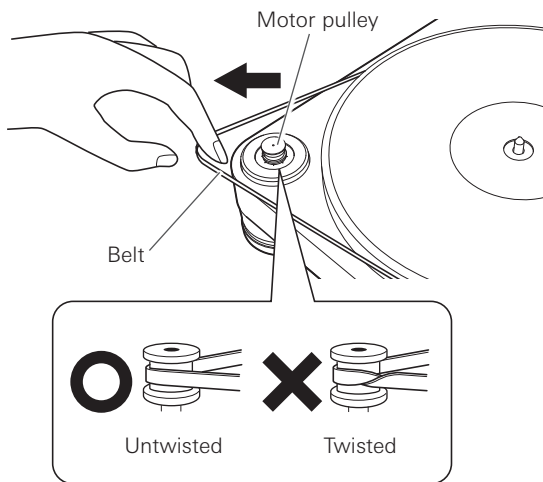
1. Set the platter on the spindle.

- To avoid damaging the spindle when seating the platter, align the positions of the spindle and the platter's hole, and then slowly seat the platter.
- Make certain that the platter is fully seated on the spindle.



2. Attach the belt to the platter first, and then attach it to the motor pulley.

- Make sure that the belt does not get twisted.

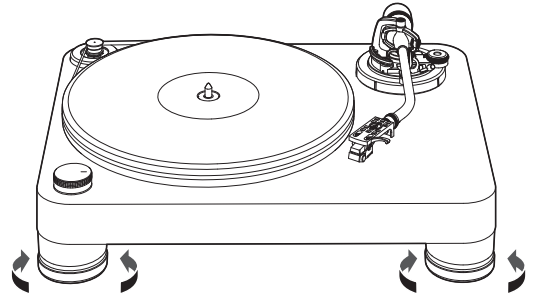


Setting up the turntable

- Position the product on a level surface.
- To avoid the effects of vibrations and acoustic pressure, do not mount the product next to such items as speakers.
- The product may pick up radio static if placed next to a radio. Therefore, try to keep the product away from radios.
- If the product is near equipment (cell phone, etc.) that emits strong radio waves, noise may occur.

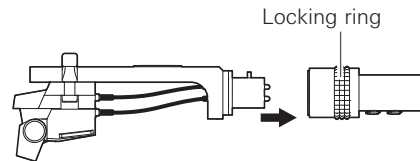
Leveling the turntable

1. After positioning the product where you want to use it, adjust the feet so that the product is level.
 - Use a level (sold separately) as needed to ensure that the product is level.

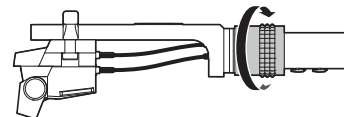


Assembling the tonearm

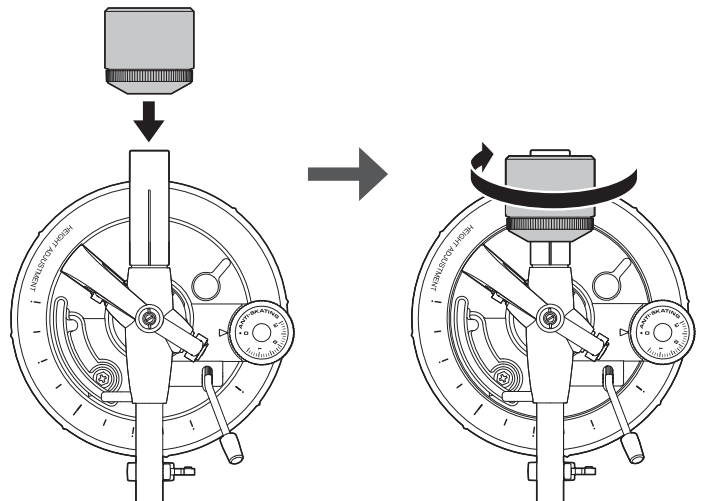
1. Remove the cable tie used to secure the tonearm at the time of delivery.
 - Use the clamp to temporarily secure the tonearm to the tonearm rest.
2. Insert the headshell into the tonearm.
 - Hold the right and left edges of the headshell so that you do not damage the stylus or cut the cartridge's wires.



3. With the headshell inserted, turn the locking ring counterclockwise (to the left).



4. With the tracking force gauge ring facing forward, attach the counterweight to the back of the tonearm, and slowly turn it counterclockwise (to the left).



Preparation for use

Tonearm balance and tracking force

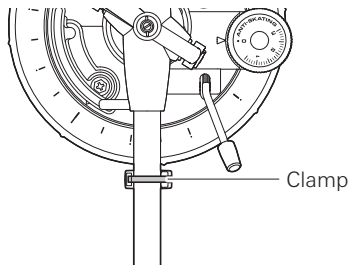
In order for the cartridge to pick up sound correctly from the record's grooves, the tonearm's balance and tracking force must be adjusted to fit the specifications of the cartridge. If the tonearm's balance and tracking force are not properly adjusted, the record or the cartridge's stylus may become damaged.

- Do not drag the cartridge's stylus across the record or platter when adjusting the tonearm's balance or tracking force. Doing so may damage the stylus.

Setting tonearm balance

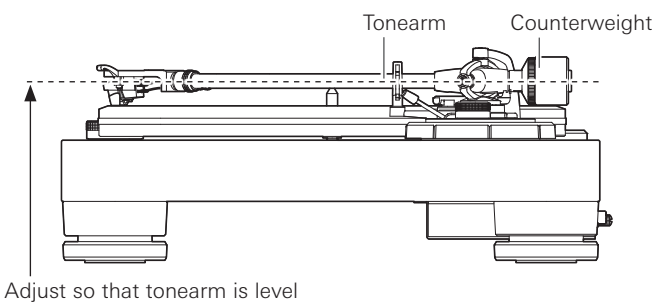
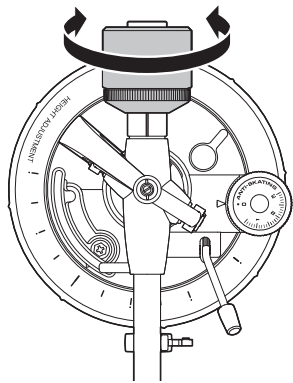
1. While lightly holding the headshell so as not to move the tonearm, remove the clamp.

- The tonearm is tilted because the balance has yet to be adjusted.



2. While still lightly holding the headshell, turn the counterweight to adjust the tonearm's balance.

- Adjust the balance so that the tonearm is level when you release the headshell.

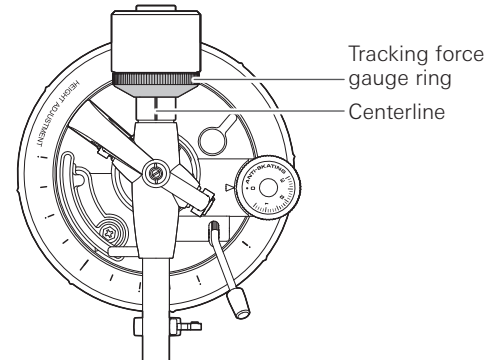


3. Return the tonearm to the tonearm rest.

Setting tracking force

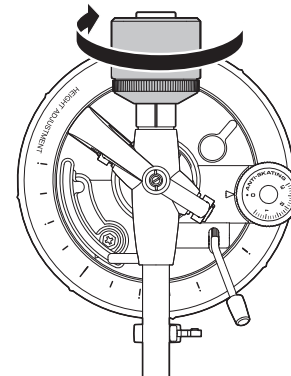
1. While supporting the counterweight so that it does not move, turn the tracking force gauge ring so that its "0" position lines up with the centerline on the back of the tonearm.

- The tracking force is not adjusted simply by turning the tracking force gauge ring.



2. Turn the counterweight and the tracking force gauge ring together counterclockwise (to the left) until the centerline value matches the recommended tracking force value for the cartridge you are using.

- Refer to the cartridge maker's specifications for the recommended tracking force value.
- The tracking force value for the cartridge provided with this product is 2.0 g.

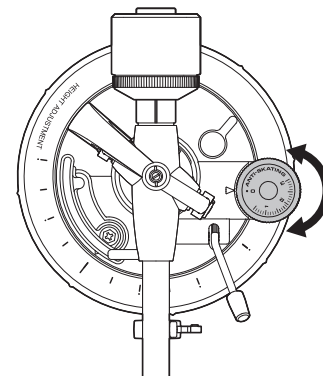


Setting the anti-skate adjustment

While the record is playing, a force acts on the stylus tip to pull it inward. This force can be counteracted by setting the same values for anti-skate and the tracking force.

1. Adjust the anti-skate control dial to have the same value as the tracking force value.

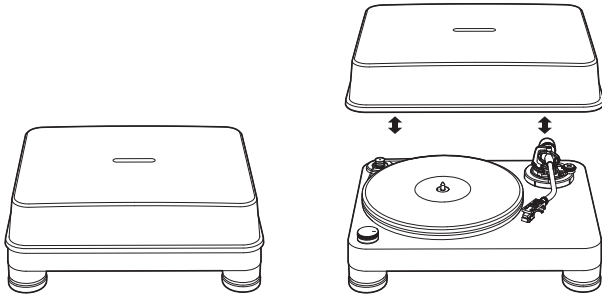
- The tracking force value for the cartridge provided with this product is 2.0 g.



Preparation for use

Installing/removing the dust cover

- The dust cover is designed to protect the product's sensitive components when the product is not in use. It should remain off while records are playing.
- Using the dust cover during play may result in record damage or sound degradation.
- Whenever putting on or taking off the dust cover, put it onto or take it off of the body slowly.



Setting MM (VM)/MC Cartridge Selector Switch

If using a moving magnet (MM or VM) cartridge, set this switch to the MM position. If using a moving coil (MC) cartridge, set this switch to the MC position.

- This switch is set to the MM position at the time of purchase. Because the cartridge (VM520EB) included with the product is a VM stereo cartridge, keep the switch in the MM position as long as you continue to use the cartridge.

Setting pre-amplifier selector switch

This product has a built-in phono equalizer function. You can use the product, even if you do not have a phono amplifier or connectable equipment with a built-in phono amplifier, by connecting an active speaker, etc.

Use the pre-amplifier selector switch to set the output, as shown below.

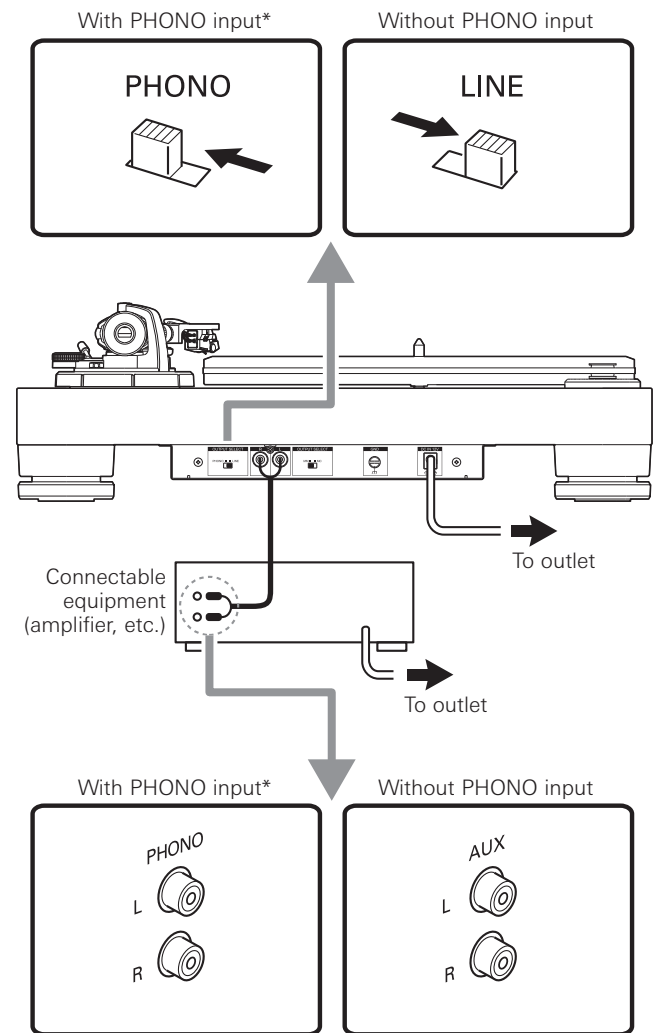
Connectable equipment being used	Position of pre-amplifier selector switch	Where to connect the RCA audio cable
Device with phono input	PHONO	Phono input jack and ground (earth) terminal of connectable equipment
Device without phono input	LINE	AUX or line input jack of connectable equipment
PC sound card	LINE	Sound card's line input jack*

* An audio adapter (sold separately) may be required to connect the RCA audio cable to the PC sound card's line input jack.

Connecting to connectable equipment (active speakers, amplifiers, etc.)

Align the settings for the pre-amplifier selector switch and connect the RCA audio cable to an input jack that is compatible with the connectable equipment you are using (amplifier, receiver, active speakers, sound card, etc.).

- The RCA audio cable's red jack is for the right (R) channel, and the white jack is for the left (L) channel.



* Depending on the equipment you are connecting, a ground (earth) terminal may exist near the phono input jack. If this is the case, connect to it using the ground line from the RCA audio cable. This will help prevent a low humming noise that might otherwise be heard during playback.

Connecting the AC adapter

This product does not have a power switch. A standby current is always running through the product, even when it is not being used; disconnect the AC adapter from the outlet when not using the product for a long period of time.

1. Connect the AC adapter's cord to the AC inlet.
2. Plug the AC adapter into an outlet.

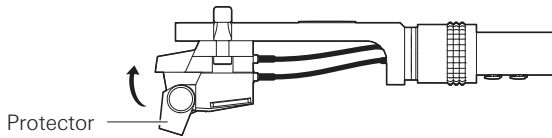
- Make sure that the control knob is in the "STOP" position.
- If you play a record immediately after plugging the AC adapter into an outlet, the sound that is played may be garbled. Wait a short time (about 30 seconds) after plugging the AC adapter into the outlet before playing a record.

Playing a record

Before playing a record

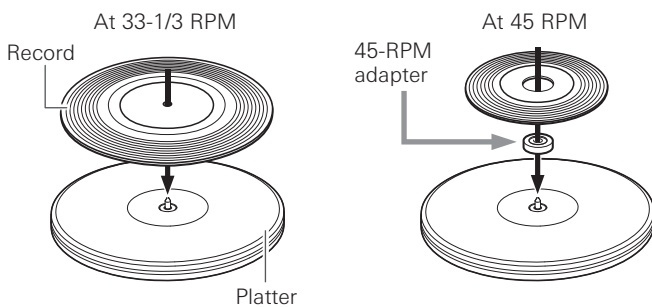
1. Return the cartridge's protector to its original up position.

- If the tonearm is fixed to the tonearm rest, remove the clamp.



2. Place the record on the platter so that the center hole aligns with the spindle.

- If playing a 45 RPM record, attach the 45 RPM adapter (see the diagram to the right below).



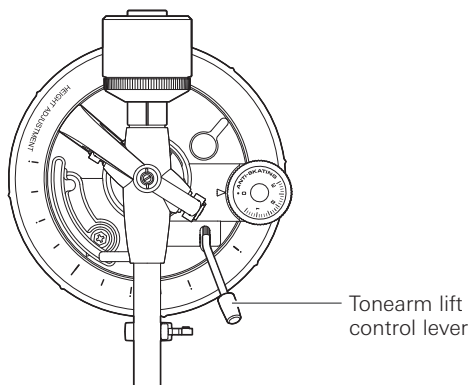
Playing a record

Lower the volume of the amplifier, speakers, etc., sufficiently.

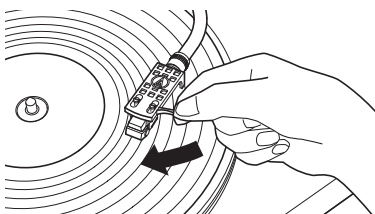
1. Use the control knob to select the speed.

- Select "33" for a 33-1/3 RPM record, or "45" for a 45 RPM record.
- The platter begins spinning.

2. Raise the tonearm by lifting the tonearm lift control lever to the UP position.



3. Position the tonearm over the desired location (groove) on the record.



4. Lower the tonearm by moving the tonearm lift control lever to the DOWN position. The tonearm descends slowly onto the record and play begins.

- Alternatively, you can skip steps 2 to 4, and use your fingers to lift the headshell, move the tonearm over the desired location on the record, and then place the headshell down to begin playing the record.
- Do not subject the product to strong impact during playback.

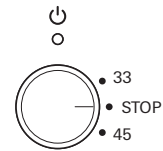
Pausing the record

1. After lowering the volume of the amplifier, speakers, etc., sufficiently, lift the tonearm with the tonearm lift control lever.

Stopping the record

1. Lower the volume of the amplifier, speakers, etc., sufficiently.
2. Lift the tonearm lift control lever, return the tonearm to the tonearm rest, and fix it with the clamp.
3. Turn the control knob to the "STOP" position.

- The platter slows down and rotation stops.



4. Remove the record after the platter has come to a complete stop.

- To prevent the record from becoming scratched or warped, remove it after use.
- Do not use a platter other than the one provided.
- This product is not intended for DJs. Do not touch the record or the platter while the record is playing.

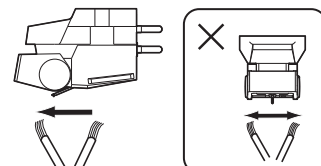
Care

Turntable body

- When the turntable body is dirty or dusty, first disconnect the power cable plug, and then wipe off the dirt and dust with a soft, dry cloth.
- Do not use benzenes, thinners, etc.
- When storing the product for a long time, disconnect the power cable plug from the outlet and wrap the equipment in plastic; do not allow it to become damp.

Stylus tip

- If dirt and grime are stuck to the stylus tip, clean it with a commercially sold brush.
- We recommend using a stylus cleaner (sold separately) if the stylus tip is considerably dirty. Clean the stylus tip by moving the brush from the rear to the front of the stylus tip.

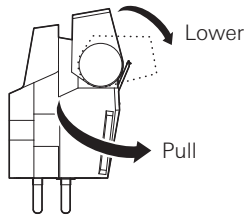


Replacing the stylus

Removing the stylus

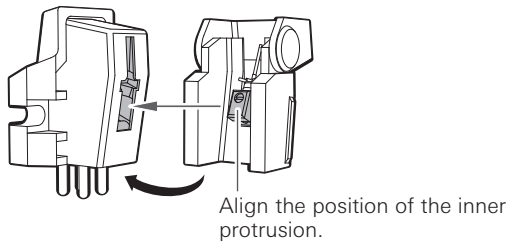
- In addition to the deterioration of sound quality, records may also be damaged as the cartridge's stylus tip wears down.
- As a rule of thumb, replace the stylus after 300 hours of use.
- Be sure to disconnect the product's power cable plug from the outlet.

1. Release the headshell from the tonearm.
 - Fix the tonearm with the clamp and then remove the headshell gently.
2. After lowering the cartridge's protector, remove the stylus by pulling in the direction of the arrow.



Installing a new replacement stylus

1. Mount the new replacement stylus to the cartridge.

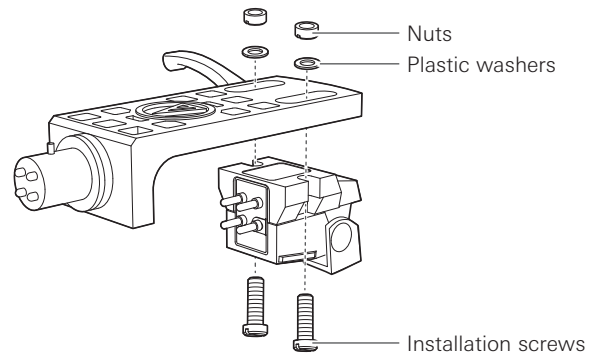


2. Mount the headshell onto the tonearm.

Replacing a cartridge

Refer to the user manual for the cartridge that you will be using if you are replacing the cartridge (VM520EB) included with this product with another, commercially available cartridge. After you replace the old cartridge with a new one, you must readjust the overhang and the tonearm's balance and tracking force.

1. Release the headshell from the tonearm.
 - Use the clamp to secure the tonearm and then remove the headshell gently.
2. Remove the stylus from the cartridge.
 - Refer to "Removing the stylus" on p. 9.
3. Remove the lead tips.
 - Be careful not to damage the lead tips.
4. Using a commercially sold, non-metallic slotted screwdriver, remove the installation screws, and then remove the cartridge from the headshell.
5. Refer to the user manual for the new cartridge for mounting instructions and connecting to the lead tips.

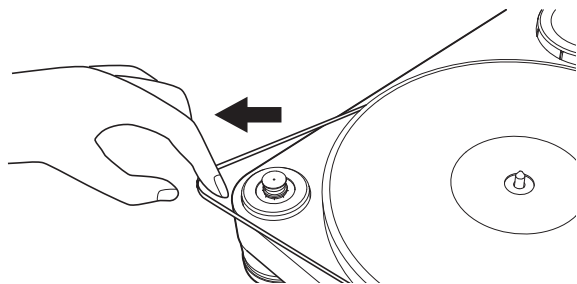


6. Using a commercially sold, non-metallic slotted screwdriver, tighten the screws in both places, and then adjust the overhang.
 - Refer to "Adjusting the overhang" on p. 11.
 - After the adjustments are complete, tighten the screws securely.
7. Attach the headshell to the tone arm.
8. Adjust the tonearm's height.
 - Refer to "Adjusting the tonearm's height" on p. 10 while doing the adjustments.
9. Adjust the tonearm balance and tracking force.
 - Refer to "Tonearm balance and tracking force" from p. 6.

Replacing the belt

- The belt is a consumable part. Replace the belt if the speed of playback slows down or irregular rotation occurs. As a rule of thumb, we suggest replacing the belt once a year.
- Before replacing the belt, be sure to disconnect the product's power cable plug from the outlet.

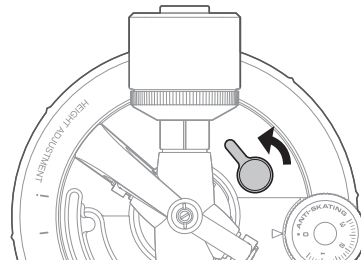
1. Remove the old belt.
2. Attach the new belt to the platter first, and then attach it to the motor pulley.
 - When attaching the belt to the motor pulley, make sure that the belt does not get twisted.



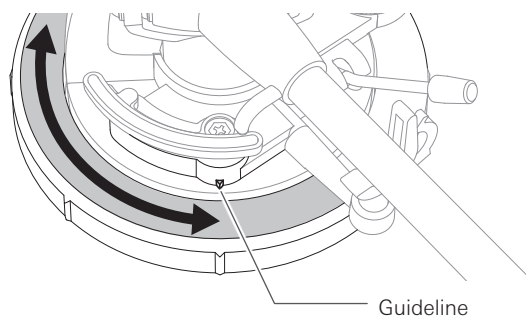
Adjusting the tonearm's height

When installing a cartridge other than the one provided, you must maintain a suitable distance between the cartridge and the surface of the record. Place the stylus on the record and confirm that the tonearm is parallel to the record's surface. If it is not parallel, adjust the height of the tonearm.

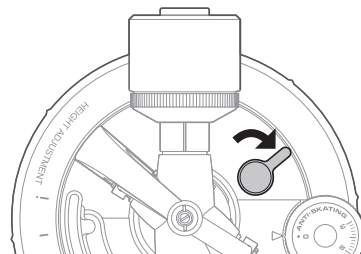
1. Rotate the tonearm's height setting lever to loosen the tonearm's anchor.



2. Rotate the tonearm's height adjustment dial and adjust the tonearm's height.



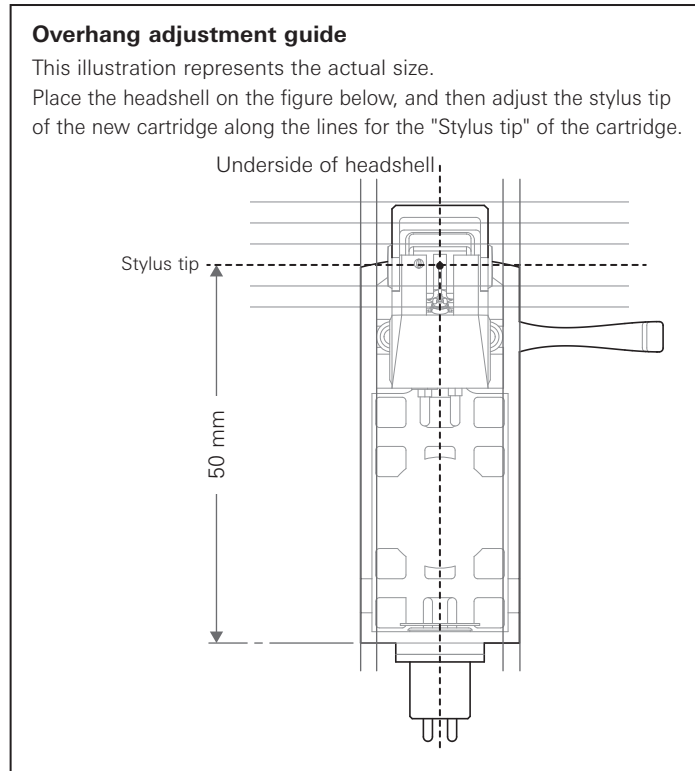
3. After the adjustments are complete, rotate the tonearm's height setting lever to set the tonearm.



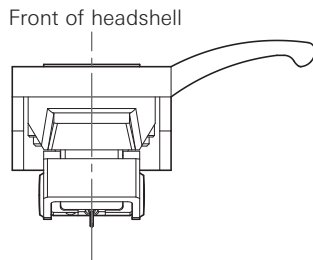
Adjusting the overhang

The position of the cartridge must be accurately determined (adjusting the overhang) when mounting a cartridge or headshell other than the one provided.

1. Mount the cartridge so it is parallel to the headshell.
 - Match up the positions of the cartridge and headshell to the figure below and mount the cartridge so it is parallel to the headshell.



2. Mount the cartridge so it is perpendicular to the top of the headshell.



When the turntable is moved

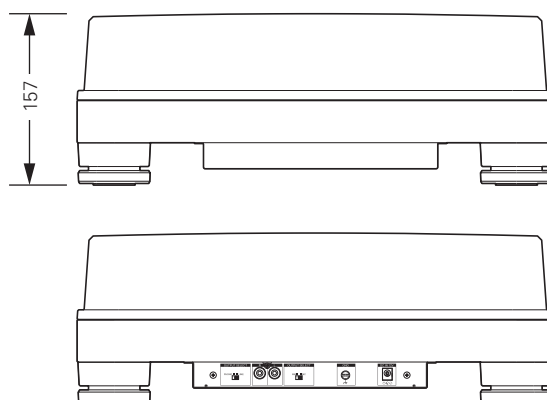
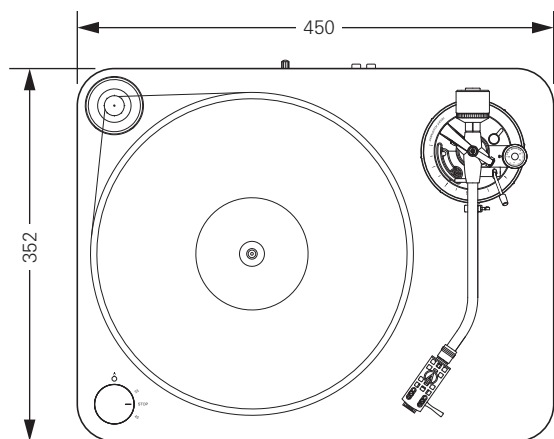
Using the product's original packing materials, wrap the turntable in the reverse order from when you unwrapped it. If you do not have the packaging materials, take the following measures:

- After unplugging the power cable plug from the outlet, remove the platter, and then wrap it so that it does not get damaged. If the product is moved while the platter is still seated, it may damage the spindle.
- Fix the tonearm with the clamp.
- Remove the counterweight.
- Remove the headshell from the tonearm with the cartridge's protector lowered, and then wrap the entire headshell assembly so that it does not get damaged.
- Wrap the turntable body with paper or a soft cloth so that it does not get damaged.

Troubleshooting

Problem	Solution
The platter does not spin.	<ul style="list-style-type: none"> • Is the AC adapter connected to the outlet? Connect AC adapter to the outlet. • Has the AC adapter's plug come off? Check whether or not the plug is properly attached to the AC adapter. • Has the belt slipped from the platter? Correctly place the belt on the platter. • Is the belt placed on the motor pulley? Check that the belt is placed on the motor pulley correctly. • Has the belt been damaged? Replace it with a new belt.
The platter spins, but there is no sound or the volume is not loud enough.	<ul style="list-style-type: none"> • Are the function settings and input for connected equipment (amplifier, etc.) selected correctly? Check whether the settings for the connected equipment are correct. • Is the stylus damaged? Check the stylus and replace it, if necessary. • Is the stylus placed correctly on the body of the cartridge? Check the cartridge and adjust it, if necessary. • Are the setting positions for the pre-amplifier selector switch correct? Check that the pre-amplifier settings are correct, noting the following common problems and their causes: <ul style="list-style-type: none"> - If there is no sound, or if the volume is not loud enough, the product is set to the "PHONO" position and connected to the amplifier's AUX/LINE input. - If the volume is too loud or is distorted, the product is set to the "LINE" position and connected to the amplifier's PHONO input. • Is the tracking force set too heavy? Adjust the tracking force.
The stylus skips.	<ul style="list-style-type: none"> • Is the tracking force set too light? Adjust the tracking force. • Is the anti-skate set improperly? Verify anti-skate is set for same value as cartridge tracking force. • Is the record warped? Check the record. • Is the record scratched? Check the record.
There is howling.	<ul style="list-style-type: none"> • Is the product picking up excessive vibrations from the floor, surfaces of the walls, or nearby speakers? Decrease the vibrations or mount the product on a surface that is not subject to the effects of vibrations. • Is the product mounted on an unstable surface? Check whether the surface on which the product is mounted is suitable.
There is noise when the record is playing.	<ul style="list-style-type: none"> • Is there dust on the cartridge's stylus tip? If dust is stuck to the stylus tip, clean it with a commercially sold brush.
The sound when the record is playing is either too fast or too slow.	<ul style="list-style-type: none"> • Are the speed settings for the product correct? Use the control knob to select the correct speed for the type of record being played.
Playing speed slows down or there is irregular rotation.	<ul style="list-style-type: none"> • Is the belt stretched out? Replace it with a new belt.
Humming is heard during playback.	<ul style="list-style-type: none"> • Is the ground line connected correctly? Make sure the ground line is properly connected. • Is the headshell attached to the tonearm firmly? Make sure the locking ring is tight.

Dimensions



(Unit: mm)

Specifications

Turndown specifications

Type	Belt-drive manual turntable
Motor	DC motor
Drive method	Belt drive
Speeds	33-1/3 RPM, 45 RPM
Turntable platter	POM (polyoxymethylene)
Wow and flutter	< 0.08 % WRMS (33 RPM) at 3 kHz
Signal-to-noise ratio	> 60 dB
Output levels	
“PHONO”	4.5 mV nominal at 1 kHz, 5 cm/sec
“LINE (MM)”	280 mV nominal at 1 kHz, 5 cm/sec
Phono Pre-amp gain (MM)	36 dB nominal, RIAA equalized
Phono Pre-amp gain (MC)	56 dB nominal, RIAA equalized

Tonearm specifications

Type	Static balanced J-shaped tonearm
Effective length	247 mm
Overhang	17 mm
Maximum tracking error angle	Less than 2.5°
Stylus pressure adjustment range	0 to 2.5 g
Applicable cartridge weight range (including headshell)	15 to 20 g

Cartridge and headshell specifications

Cartridge Model	VM520EB
Cartridge Type	VM Dual Magnet
Recommended load impedance	47,000 ohms
Output voltage	4.5 mV (mV at 1 kHz, 5 cm/sec)
Stylus	0.3 × 0.7 mil bonded elliptical stylus
Cantilever	Aluminum pipe
Tracking force range	1.8 to 2.2 g (standard 2.0 g)
Cartridge weight	6.4 g
Headshell model	AT-HS10
Headshell weight	10 g (excluding lead wires)
Headshell overhang adjustment	± 5 mm

General specifications

Power supply requirements	100 to 240 V, 50/60 Hz, 0.6 A Max.
Power consumption	5.5 W
AC Adapter	12 V, 2 A
Dimensions	450 mm (17.72") × 352 mm (13.86") × 157 mm (6.18") (W × D × H)
Weight	8.3 kg (18.30 lbs) (without dust cover)
Accessories included	Dust cover, Platter, Drive belt, Counterweight, Headshell (AT-HS10) with VM stereo cartridge (VM520EB), 45-RPM adapter, RCA audio cable (Approx. 1.4 m (4.6')), AC adapter (Approx. 1.3 m (4.3')) (AD-SE1220KZ)
Replacement stylus (sold separately)	VMN20EB
Replacement headshell (sold separately)	AT-HS10
Replacement belt (sold separately)	AT-LP7 exclusive belt

Specifications are subject to change without notice due to improvements.

Memo

Introduction

Nous vous remercions d'avoir fait l'acquisition de ce produit Audio-Technica.

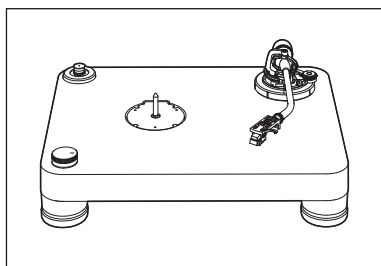
Avant utilisation, merci de lire attentivement ce manuel d'utilisation pour vous assurer de bien utiliser le produit. Veuillez conserver ce manuel pour consultations ultérieures.

Ce produit peut être utilisé uniquement dans les pays où le produit est vendu. Veillez à ce que la tension d'utilisation et la fiche de l'adaptateur secteur du produit correspondent à celles utilisées dans le pays où vous vivez.

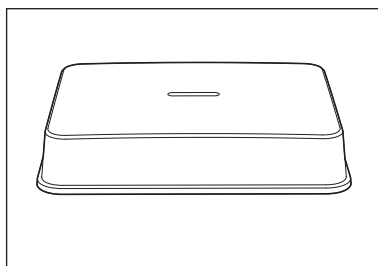
Contenu de l'emballage

Assurez-vous que tous les articles inclus répertoriés sur la liste ci-dessous soient présents avant d'utiliser le produit.

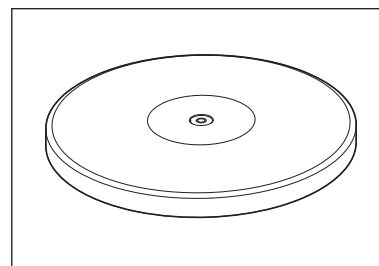
Si certains éléments sont manquants ou endommagés, contactez votre distributeur local Audio-Technica.



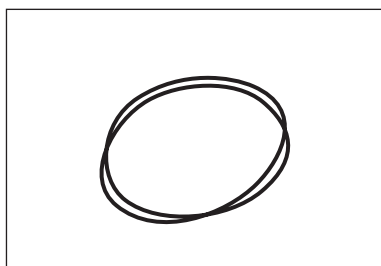
• Corps du plateau de la platine



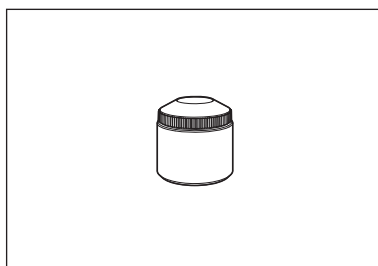
• Couvercle anti-poussière



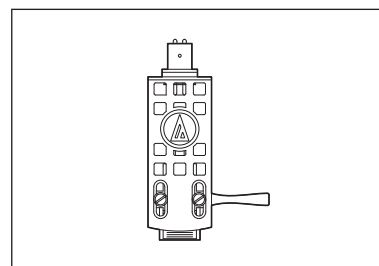
• Plateau



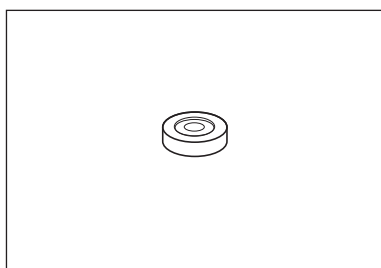
• Courroie d'entraînement



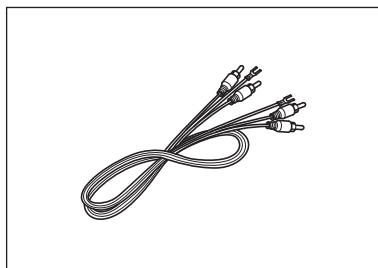
• Contrepoids



• Porte-cellule (AT-HS10) avec cellule stéréo VM (VM520EB)



• Adaptateur 45 tours



• Câble audio RCA (env. 1,4 m)

- Adaptateur secteur (env. 1,3 m)
La fiche de l'adaptateur secteur ne peut pas être enlevée.
- Manuel d'utilisation (ce document)

Après l'achat, nous vous suggérons de conserver tous les emballages pour un éventuel stockage, déménagement, ou transport.

Consignes de sécurité

Informations importantes

Avertissement :

Pour éviter tout risque de choc électrique ou d'incendie, n'exposez pas cet appareil à la pluie ou à l'humidité.

Mise en garde :

Protégez cet appareil des projections et des gouttes d'eau.

Pour éviter tout risque de choc électrique, n'ouvrez pas le boîtier.

Confiez tous travaux d'entretien à un technicien qualifié.

N'exposez pas cet équipement à des températures excessives, telles que celles de la lumière directe du soleil, d'une flamme ou autres.

Ne soumettez pas cet équipement à de forts impacts.

Placez l'appareil à proximité d'une prise de courant pour une utilisation aisée et à tout moment de l'adaptateur secteur.

En cas d'urgence, débranchez rapidement l'adaptateur secteur.

Ne placez pas d'objets remplis de liquides, tels que des vases, sur l'appareil.

Pour éviter tout risque d'incendie, ne placez pas de flammes nues (telles que des bougies allumées) sur l'appareil.

N'installez pas cet appareil dans un espace confiné tel qu'une étagère ou un endroit similaire.

Installez cet appareil uniquement dans des endroits avec une bonne ventilation.

Remarques d'utilisation

Corps du plateau de la platine

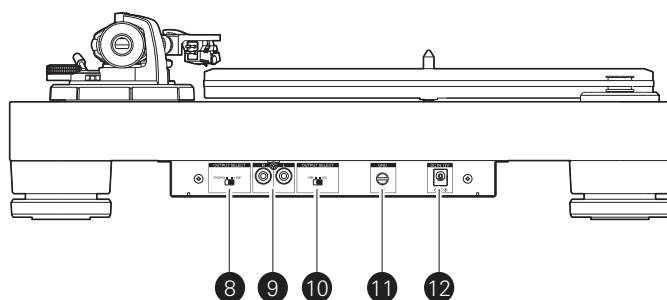
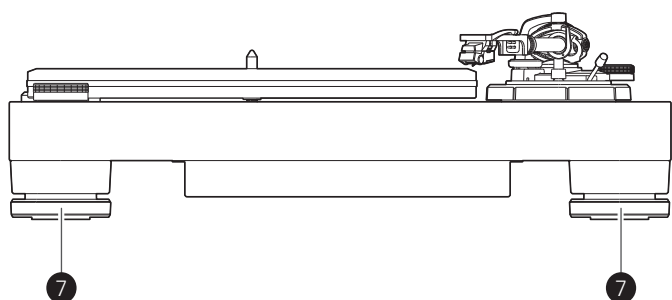
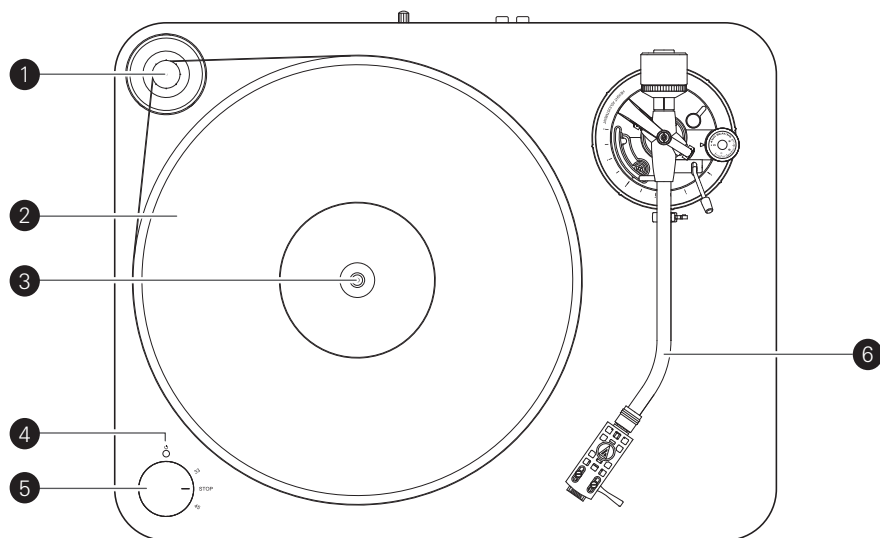
- Ne placez pas et n'utilisez pas le produit dans des endroits soumis à de fortes chaleurs ou une humidité élevée, très sales ou soumis à des vibrations extrêmes.
- Le produit doit être placé sur une surface plane et lisse.

Cellule

- Abaissez la protection pour protéger la pointe de lecture lorsque le produit n'est pas utilisé.
- Ne touchez pas la pointe de lecture de la cellule avec le doigt.
- Empêchez la pointe de lecture de la cellule de percuter le plateau ou le bord du disque.

Noms des pièces et fonctions

Schéma de l'ensemble



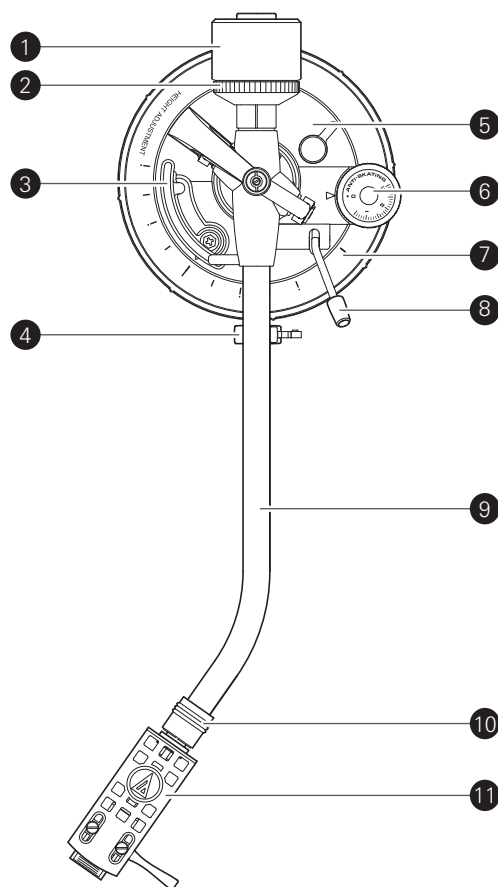
- ❶ Poulie du moteur
- ❷ Plateau
- ❸ Axe
- ❹ Témoin d'alimentation
- ❺ Bouton de commande
Utilisez-le pour démarrer et arrêter ainsi que pour sélectionner la vitesse du plateau.
- ❻ Bras de lecture
Pour plus de détails, reportez-vous à la section "Bras de lecture" en p. 4.
- ❼ Pieds
Ajustez le niveau du produit.

- ❽ Sélecteur de préamplificateur
En cas de connexion à une prise entrée PHONO de l'amplificateur, placez le sélecteur en position PHONO. En cas de connexion d'un amplificateur à la prise AUX, placez ce sélecteur sur la position LINE.
- ❾ Bornes de sortie stéréo
Raccordez le câble audio RCA. Connectez-le à la prise entrée PHONO de l'amplificateur ou sa prise d'entrée de ligne. La borne rouge est le canal droit et la borne blanche est le canal gauche.
- ❿ Sélecteur de cellule MM (VM)/MC
Si vous utilisez une cellule MM (VM), placez ce sélecteur en position MM. Si vous utilisez une cellule MC, placez ce sélecteur en position MC.
- ⓫ Borne de masse (terre)
Connectez la borne de masse (terre) de l'amplificateur à cette borne à l'aide de la ligne de terre du câble audio RCA.
- ⓬ Prise d'entrée d'alimentation
Connectez l'adaptateur secteur.

Noms des pièces et fonctions

Bras de lecture

- 1 Contrepoids
Équilibre le bras de lecture et permet un réglage pour obtenir la force d'appui adéquate.
- 2 Bague de réglage de la force d'appui
Utilisez-la pour régler la force d'appui.
- 3 Porte-bras de lecture
Déplace le bras de lecture verticalement vers et depuis la face du disque.
- 4 Pose-bras de lecture avec serrage
Utilisez le serrage pour fixer le pose-bras afin qu'il ne bouge pas.
- 5 Levier de réglage de la hauteur du bras de lecture
- 6 Cadran de contrôle anti-skating
Pendant la lecture du disque, une force agit sur la pointe de lecture pour la tirer vers l'intérieur. Cette force peut être contre-balançée en réglant les mêmes valeurs pour la force anti-skating et la force d'appui.
- 7 Bague de réglage de la hauteur du bras de lecture
Utilisez la bague de réglage pour ajuster la hauteur du bras de lecture.
- 8 Levier de commande de levage du bras de lecture
Fait fonctionner le levier du bras de lecture.
- 9 Bras de lecture
- 10 Bague de verrouillage
Tournez la bague vers la gauche (dans le sens anti-horaire) pour fixer le porte-cellule. Pour enlever le porte-cellule, tournez la bague vers la droite.
- 11 Porte-cellule et cellule
La cellule (VM520EB) est montée sur le porte-cellule (AT-HS10).



Préparation pour l'utilisation

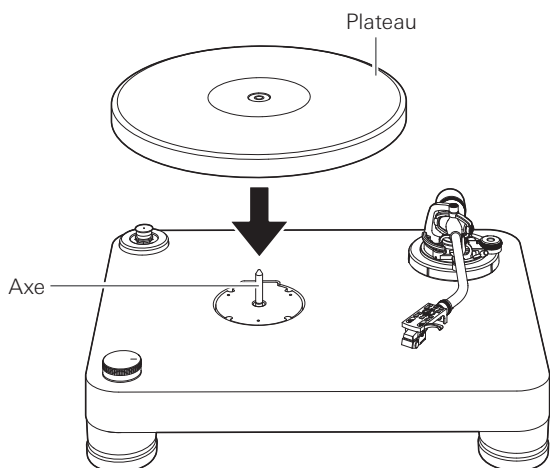
Placement du plateau

Ce produit nécessite un peu de montage avant de l'utiliser pour la première fois.

Ne connectez pas l'adaptateur secteur jusqu'à ce que le montage soit terminé.

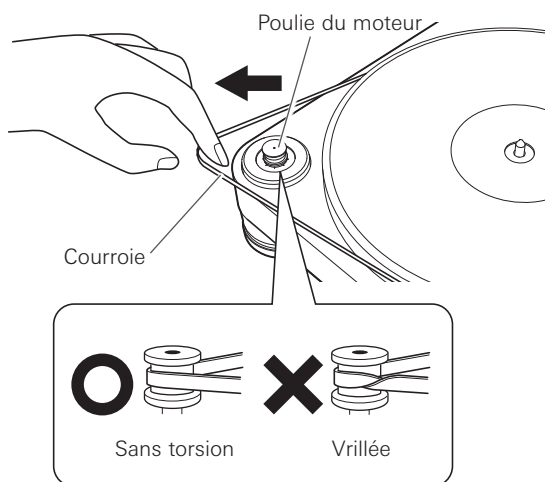
1. Placez le plateau sur l'axe.

- Afin d'éviter d'endommager l'axe lors de l'utilisation du plateau, alignez les positions de l'axe et de l'orifice du plateau, puis placez lentement le plateau.
- Assurez-vous que le plateau soit correctement installé sur l'axe.



2. Raccordez d'abord la courroie au plateau, puis raccordez-la à la poulie du moteur.

- Assurez-vous que la courroie ne se vrille pas.



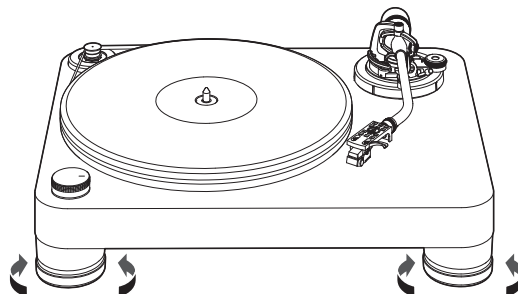
Configuration du tourne-disque

- Positionnez le produit sur une surface plane.
- Pour éviter les effets de vibrations et la pression acoustique, ne montez pas le produit à côté d'éléments tels que des haut-parleurs.
- Le produit peut percevoir des parasites s'il est placé à côté d'une radio. Par conséquent, essayez de garder le produit éloigné des radios.
- Si le produit est proche d'équipements (téléphone portable, etc.) qui émettent de fortes perturbations de radio, des bruits parasites peuvent survenir.

Nivelage du tourne-disque

1. Après avoir placé le produit où vous souhaitez l'utiliser, réglez les pieds pour que le produit soit plane.

- Utilisez un niveau (vendu séparément) au besoin pour assurer que l'appareil est à plat.



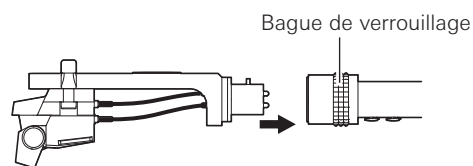
Montage du bras de lecture

1. Enlevez l'attache utilisée pour fixer le bras de lecture pendant la livraison.

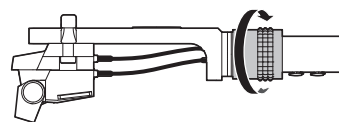
- Utilisez le serrage pour fixer temporairement le bras de lecture au pose-bras de lecture.

2. Insérez le porte-cellule dans le bras de lecture.

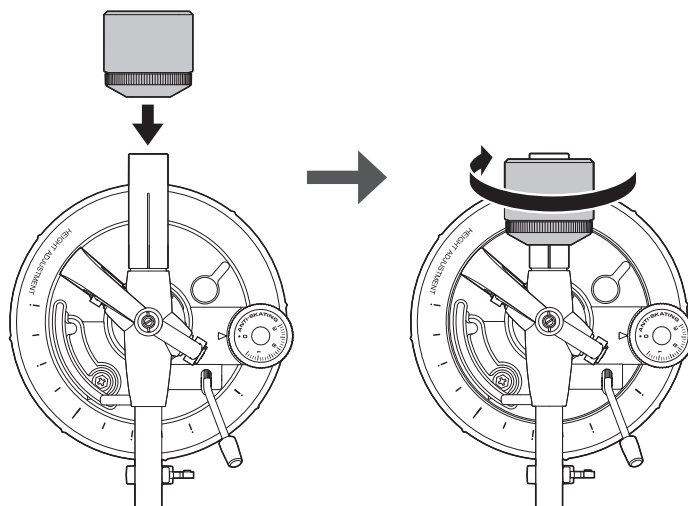
- Maintenez les bords gauche et droit du porte-cellule afin de ne pas endommager la pointe de lecture ou couper les fils de la cellule.



3. Une fois le porte-cellule inséré, tournez la bague de verrouillage dans le sens anti-horaire (vers la gauche).



4. Avec la bague de réglage de la force d'appui face vers l'avant, fixez le contre-poids à l'arrière du bras de lecture, et tournez-le lentement dans le sens anti-horaire (vers la gauche).



Préparation pour l'utilisation

Équilibre du bras de lecture et force d'appui

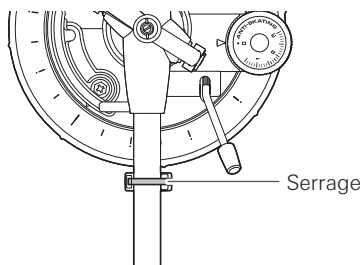
Afin que la cellule perçoive correctement le son des rainures du disque, l'équilibre du bras de lecture et la force d'appui doivent être réglés pour s'adapter aux spécifications de la cellule. Si l'équilibre du bras de lecture et la force d'appui ne sont pas correctement ajustés, le disque ou la pointe de lecture de la cellule peuvent s'endommager.

- Ne faites pas glisser la pointe de lecture de la cellule sur le disque ou le plateau lors du réglage de l'équilibre du bras de lecture ou de la force d'appui. Dans un tel cas, la pointe de lecture peut s'endommager.

Réglage de l'équilibre du bras de lecture

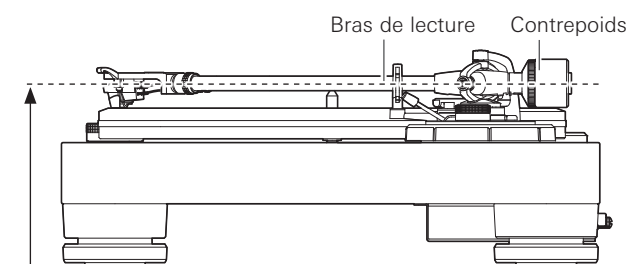
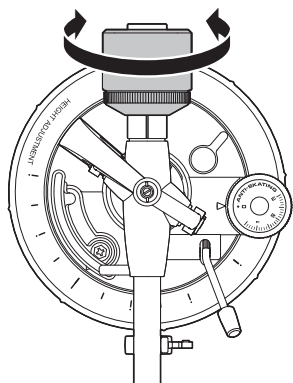
1. Tout en maintenant légèrement le porte-cellule de sorte à ne pas bouger le bras de lecture, enlevez le serrage.

- Le bras de lecture est incliné car l'équilibrage n'a pas encore été effectué.



2. Tout en tenant encore légèrement le porte-cellule, tournez le contrepois pour régler l'équilibre du bras de lecture.

- Ajustez l'équilibre de sorte que le bras de lecture soit à niveau lorsque vous libérez le porte-cellule.



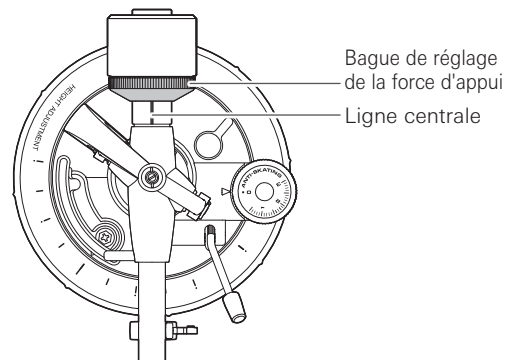
Ajustez de sorte que le bras de lecture soit l'horizontal

3. Reposez le bras de lecture sur le pose-bras de lecture.

Réglage de la force d'appui

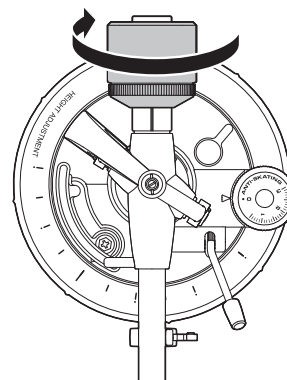
1. Tout en maintenant le contrepois afin qu'il ne bouge pas, tournez la bague de réglage de la force d'appui de sorte que sa position "0" s'aligne avec la ligne centrale à l'arrière du bras de lecture.

- La force d'appui n'est pas simplement réglée en tournant la bague de réglage de la force d'appui.



2. Tournez le contrepois et la bague de réglage de la force d'appui dans le sens anti-horaire (vers la gauche) jusqu'à ce que la valeur de la ligne centrale corresponde à la valeur de la force d'appui pour la cellule utilisée.

- Reportez-vous aux spécifications du fabricant de cellules en ce qui concerne la valeur de la force d'appui recommandée.
- La valeur de force d'appui pour la cellule fournie avec ce produit est de 2,0 g.

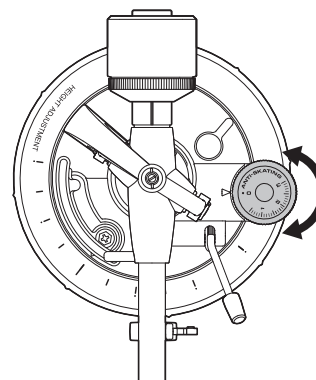


Réglage de l'ajustement anti-skating

Pendant la lecture du disque, une force agit sur la pointe de lecture pour la tirer vers l'intérieur. Cette force peut être contre-balançée en réglant les mêmes valeurs pour la force anti-skating et la force d'appui.

1. Réglez le cadran de contrôle anti-skating pour avoir la même valeur que la valeur de force d'appui.

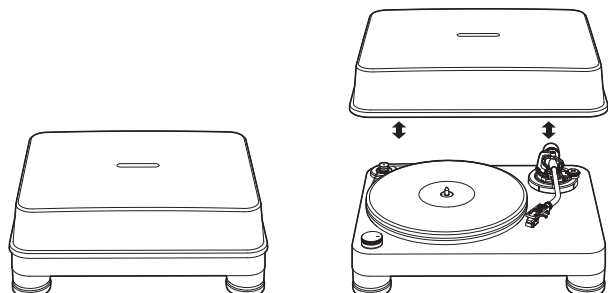
- La valeur de force d'appui pour la cellule fournie avec ce produit est de 2,0 g.



Préparation pour l'utilisation

Installation/dépose du couvercle anti-poussière

- Le couvercle anti-poussière est conçu pour protéger les composants fragiles du produit lorsqu'il n'est pas utilisé. Il doit pas être enlevé pendant la lecture d'un disque.
- L'utilisation du couvercle anti-poussière pendant la lecture risque d'endommager le disque ou de dégrader le son.
- À chaque fois que vous posez ou enlevez le couvercle anti-poussière, placez-le dessus ou enlevez-le lentement du corps.



Réglage du sélecteur de cellule MM (VM)/MC

Si vous utilisez une cellule à aimant mobile (MM ou VM), placez ce sélecteur en position MM. Si vous utilisez une cellule à bobine mobile (MC), placez ce sélecteur en position MC.

- Ce sélecteur est réglé sur la position MM au moment de l'achat. La cellule (VM520EB) incluse avec l'appareil étant une cellule VM stéréo, maintenez le sélecteur en position MM aussi longtemps que vous utilisez la cellule.

Réglage du sélecteur de préamplificateur

Ce produit a une fonction d'égaliseur phono intégré. Vous pouvez utiliser le produit, même si vous n'avez pas d'amplificateur phono ou d'équipement connectable avec un amplificateur phono intégré en raccordant en connectant des hauts-parleurs actifs, etc.

Utilisez le sélecteur de préamplificateur pour régler la sortie, comme affiché ci-dessous.

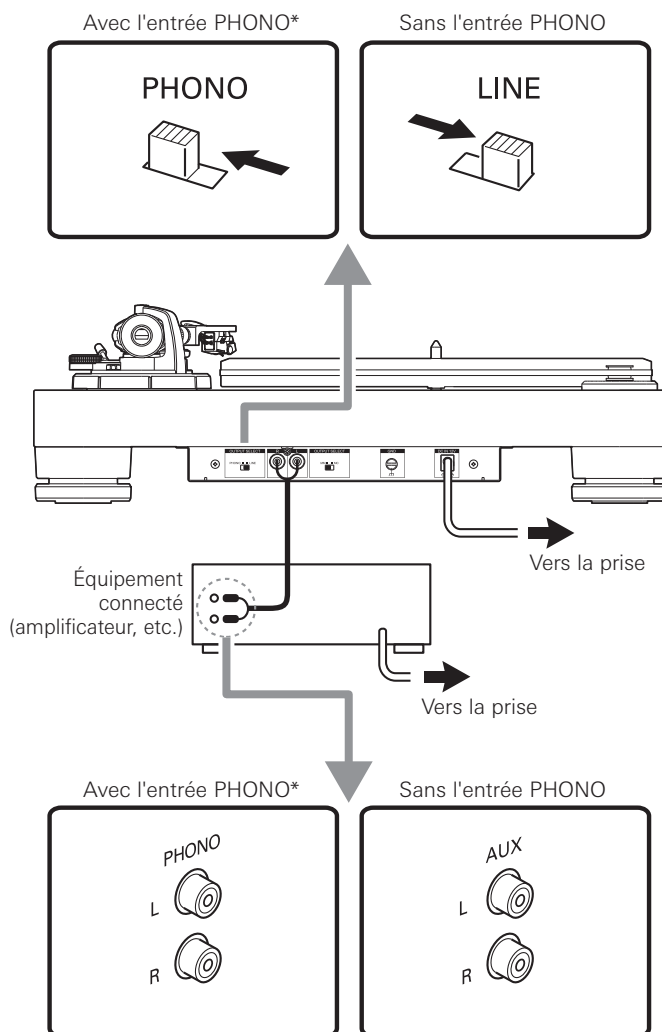
Équipement connecté en cours d'utilisation	Position du sélecteur de préamplificateur	Où brancher le câble audio RCA
Appareil avec entrée phono	PHONO	Prise d'entrée phono et borne de mise à la masse (terre) de l'équipement connecté
Appareil sans entrée phono	LINE	AUX ou prise d'entrée LINE de l'équipement connecté
Carte de son de PC	LINE	Prise d'entrée de ligne de carte son*

* Un adaptateur audio (vendu séparément) peut être nécessaire pour connecter le câble audio RCA à la prise d'entrée de ligne de la carte son de PC.

Connexion à un équipement pouvant être connecté (haut-parleurs actifs, amplificateurs, etc.)

Alignez les réglages pour le sélecteur de préamplificateur et branchez le câble audio RCA à une prise d'entrée qui est compatible avec l'équipement connecté utilisé (amplificateur, récepteur, haut-parleurs actifs, carte son, etc.).

- La prise rouge du câble audio RCA correspond au canal droit (R), et la prise blanche correspond au canal gauche (L).



* En fonction de l'équipement connecté, une borne de masse (terre) peut se trouver à proximité de la prise d'entrée phono. Si tel est le cas, connectez-le à l'aide de la ligne de terre depuis le câble audio RCA. Cela empêchera un faible bourdonnement qui pourrait sinon être entendu pendant la lecture.

Connexion de l'adaptateur secteur

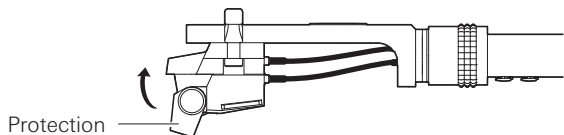
Ce produit n'a pas d'interrupteur d'alimentation. un courant de veille parcourt en permanence le produit, même lorsqu'il n'est pas utilisé ; débranchez l'adaptateur secteur de la prise lorsque le produit n'est pas utilisé pendant une longue période de temps.

1. Connectez le câble de l'adaptateur secteur à l'entrée d'alimentation.
2. Branchez l'adaptateur secteur dans une prise.
 - Assurez-vous que le bouton de contrôle soit en position "STOP".
 - Si vous mettez un disque immédiatement après avoir branché l'adaptateur secteur dans une prise, le son émis peut être déformé. Patientez un peu (environ 30 secondes) après avoir branché l'adaptateur secteur dans la prise avant de lancer la lecture du disque.

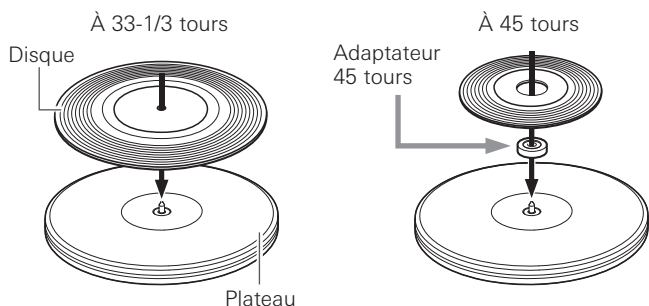
Lecture d'un disque

Avant la lecture d'un disque

1. Retournez la protection de la cellule dans sa position relevée d'origine.
 - Si le bras de lecture est fixé au pose-bras de lecture, enlevez le serrage.



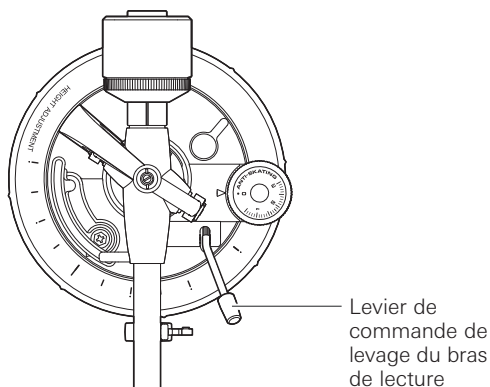
2. Placez le disque sur le plateau de sorte que l'orifice au centre soit aligné avec l'axe.
 - Lors de la lecture d'un disque 45 tours, fixez l'adaptateur 45 tours (voir le schéma à droite ci-dessous).



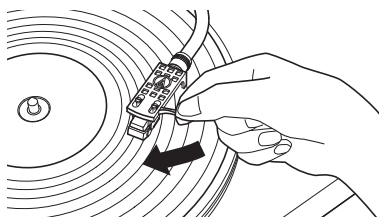
Lecture d'un disque

Baissez le volume de l'amplificateur, des haut-parleurs, etc., de manière suffisante.

1. Utilisez le bouton de contrôle pour sélectionner la vitesse.
 - Sélectionnez "33" pour un disque 33-1/3 tours, ou "45" pour un disque 45 tours.
 - Le plateau commence à tourner.
2. Relevez le bras de lecture en plaçant le levier de levage en position relevée "UP".



3. Placez le bras de lecture à l'endroit désiré (sillon) sur le disque.



4. Abaissez le bras de lecture en baissant le levier de levage en position "DOWN". Le bras de lecture descend lentement sur le disque et la lecture commence.

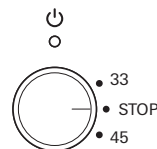
- Sinon, vous pouvez passer les étapes de 2 à 4, et utilisez vos doigts pour soulever le porte-cellule, déplacez le bras de lecture au-delà de l'emplacement souhaité sur le disque, puis baissez le porte-cellule pour commencer la lecture du disque.
- Ne soumettez pas le produit à de forts impacts pendant la lecture.

Interrompre la lecture du disque

1. Après avoir baissé le volume de l'amplificateur, des haut-parleurs, etc., de manière suffisante, levez le bras de lecture à l'aide du levier.

Arrêt du disque

1. Baissez le volume de l'amplificateur, des haut-parleurs, etc., de manière suffisante.
2. Soulevez le levier de commande de levage du bras de lecture, replacez le bras de lecture sur le pose-bras de lecture et fixez-le avec le serrage.
3. Tournez le bouton de contrôle sur la position "STOP".
 - Le plateau ralentit et arrête la rotation.



4. Enlevez le disque une fois que le plateau est à l'arrêt complet.

- Pour éviter que le disque ne soit rayé et déformé, retirez-le après utilisation.
- N'utilisez pas un autre plateau que celui fourni.
- Ce produit n'est pas conçu pour les DJ. Ne touchez pas le disque ou le plateau pendant que le disque tourne.

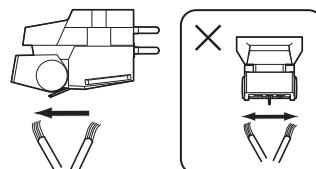
Entretien

Corps du plateau de la platine

- Lorsque le corps d'une platine est sale ou poussiéreux, débranchez d'abord la fiche du câble d'alimentation, puis essuyez les impuretés et poussières avec un chiffon doux et sec.
- N'utilisez pas de benzènes, de dissolvants, etc.
- Lors du stockage du produit pendant une longue période, débranchez la fiche du câble d'alimentation de la prise et enroulez l'équipement dans un emballage plastique ; évitez qu'il ne prenne l'humidité.

Pointe de lecture

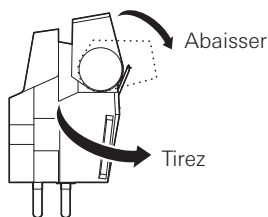
- Si des impuretés et des crasses sont collées à la pointe de lecture, nettoyez-la à l'aide d'une brosse adaptée vendue dans le commerce.
- Nous vous recommandons d'utiliser un nettoyant pour pointe de lecture (vendu séparément) si la pointe est très sale. Nettoyez la pointe de lecture en déplaçant la brosse adaptée de l'arrière vers l'avant de la pointe de lecture.



Remplacement de la pointe de lecture

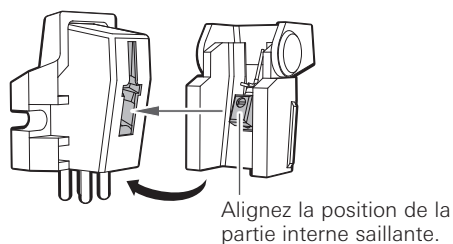
Enlever la pointe de lecture

- Outre la détérioration de la qualité du son, les disques peuvent également être endommagés si la pointe de lecture de la cellule est usée.
 - Une règle d'or : remplacez la pointe après 300 heures d'utilisation.
 - Veillez à débrancher la fiche du câble d'alimentation du produit de la prise.
1. Enlevez le porte-cellule du bras de lecture.
 - Fixez le bras de lecture avec le serrage puis enlevez doucement le porte-cellule.
 2. Après avoir abaissé la protection de la cellule, enlevez la pointe de lecture en tirant dans le sens de la flèche.



Installation d'une nouvelle pointe de lecture

1. Montez la nouvelle pointe de lecture de remplacement sur la cellule.

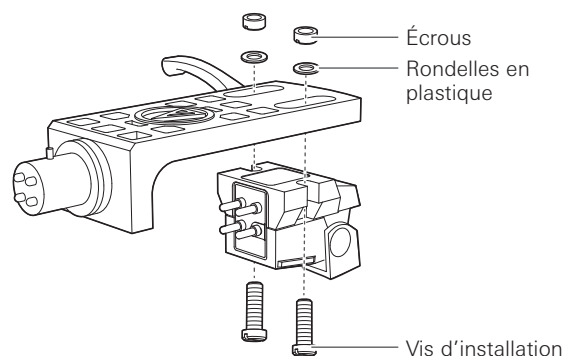


2. Installez le porte-cellule sur le bras de lecture.

Remplacement d'une cellule

Reportez-vous au manuel d'utilisation pour la cellule que vous utilisez si vous remplacez la cellule (VM520EB) incluse avec ce produit par une autre cellule disponible dans le commerce. Après avoir remplacé l'ancienne cellule par une neuve, vous devez réajuster l'overhang, l'équilibre du bras de lecture et la force d'appui.

1. Enlevez le porte-cellule du bras de lecture.
 - Utilisez le serrage pour fixer le bras de lecture puis enlevez doucement le porte-cellule.
2. Enlevez la pointe de la cellule.
 - Reportez-vous à "Enlever la pointe de lecture" en p. 9.
3. Enlevez les extrémités de fil.
 - Veillez à ne pas endommager les extrémités de fil.
4. À l'aide d'un tournevis fendu non métallique vendu dans le commerce, enlevez les vis d'installation, puis enlevez la cellule du porte-cellule.
5. Reportez-vous au manuel d'utilisation pour les instructions de montage de la nouvelle cellule et la connexion aux extrémités de fil.

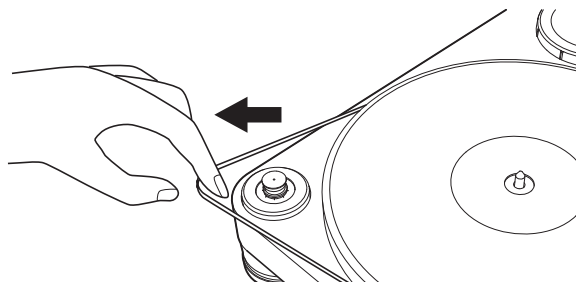


6. À l'aide d'un tournevis fendu non métallique vendu dans le commerce, serrez les vis dans les deux emplacements, puis ajustez l'overhang.
 - Reportez-vous à "Réglage de l'overhang" en p. 11.
 - Une fois les réglages terminés, serrez les vis solidement.
7. Fixez le porte-cellule au bras de lecture.
8. Réglez la hauteur du bras de lecture.
 - Reportez-vous à la section "Réglage de la hauteur du bras de lecture" en p. 10 tout en effectuant les réglages.
9. Réglez l'équilibre du bras de lecture et la force d'appui.
 - Reportez-vous à la section "Équilibre du bras de lecture et force d'appui" depuis la p. 6.

Remplacement de la courroie

- La courroie est un élément consommable. Remplacez la courroie si la vitesse de lecture ralentit ou tourne de manière irrégulière. Comme règle d'or, nous suggérons de remplacer la courroie une fois par an.
- Avant de remplacer la courroie, veillez à débrancher la fiche du câble d'alimentation du produit, de la fiche.

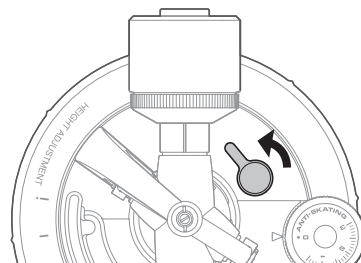
1. Enlevez l'ancienne courroie.
2. Attachez d'abord la nouvelle courroie au plateau, puis attachez-la à la poulie du moteur.
 - Lors de la fixation de la courroie à la poulie du moteur, assurez-vous que la courroie ne soit pas vrillée.



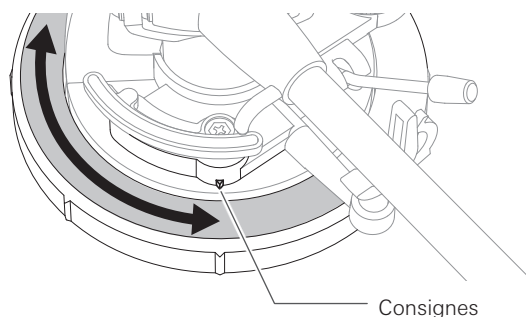
Réglage de la hauteur du bras de lecture

Lors de l'installation d'une cellule autre que celle fournie, vous devez garder une distance adéquate entre la cellule et la surface du disque. Placez la pointe sur le disque et vérifiez que le bras de lecture est parallèle à la surface du disque. S'il n'est pas parallèle, réglez la hauteur du bras de lecture.

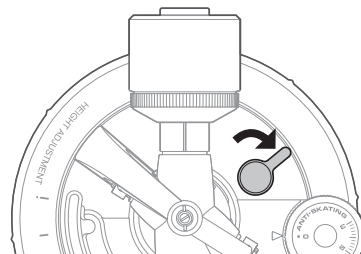
1. Tournez le levier de réglage de la hauteur du bras de lecture pour desserrer le point d'ancrage du bras de lecture.



2. Tournez le bouton de réglage de la hauteur du bras de lecture et réglez la hauteur du bras de lecture.



3. Une fois les réglages terminés, tournez le levier de réglage de la hauteur du bras de lecture pour régler le bras de lecture.

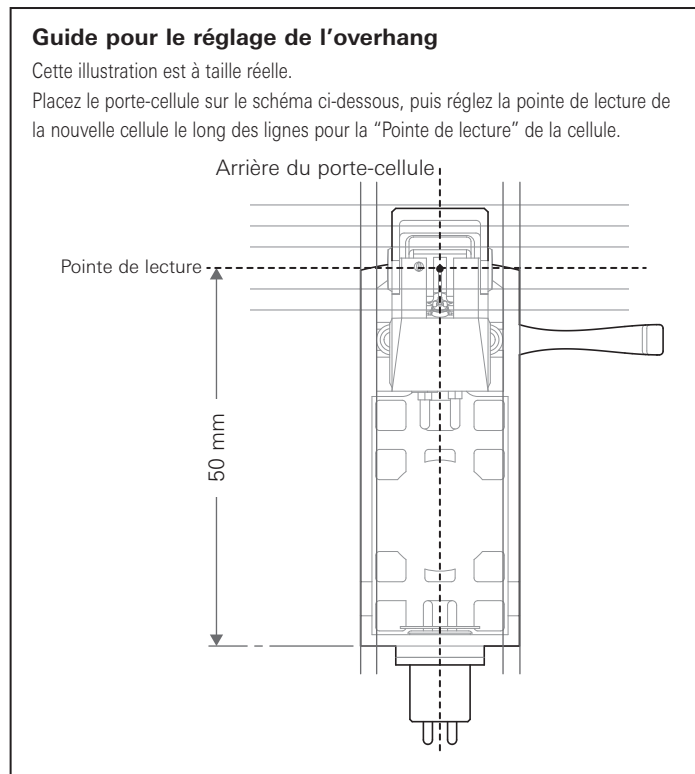


Réglage de l'overhang

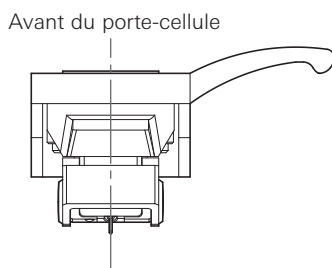
La position de la cellule doit être définie avec précision (réglage de l'overhang) lors du montage d'une cellule ou d'un porte-cellule autre que celui fourni.

1. Montez la cellule pour qu'elle soit parallèle au porte-cellule.

- Faites correspondre les positions de la cellule et du porte-cellule au schéma ci-dessous et montez la cellule afin qu'elle soit parallèle au porte-cellule.



2. Installez la cellule afin qu'elle soit perpendiculaire au haut du porte-cellule.



Lors du transport de la platine

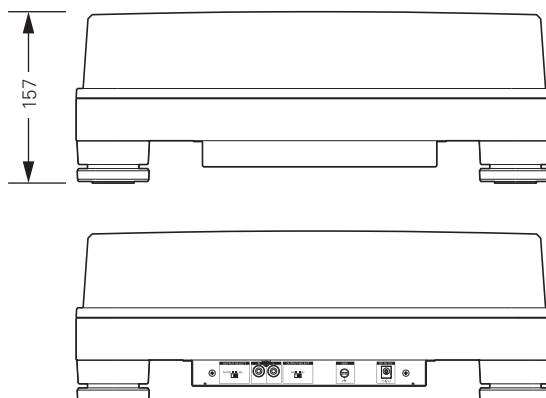
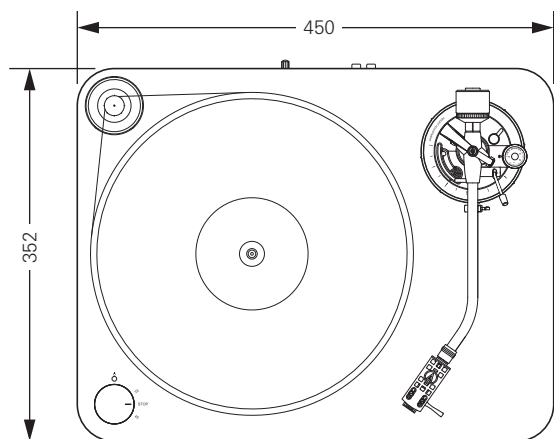
À l'aide du matériel d'emballage d'origine du produit, emballez la platine dans le sens inverse du déballage. Si vous n'avez pas de matériel d'emballage, prenez les mesures suivantes :

- Après avoir débranché la fiche du câble d'alimentation de la prise, enlevez le plateau, puis emballez-le afin qu'il ne s'abîme pas. Si le produit est déplacé alors que le plateau est encore en place, il peut endommager l'axe.
- Fixez le bras de lecture avec le serrage.
- Enlevez le contrepoids.
- Enlevez le porte-cellule du bras de lecture avec la protection de la cellule abaissée, puis emballez l'ensemble du porte-cellule afin qu'il ne s'abîme pas.
- Emballez le corps de la platine avec du papier ou un chiffon doux afin qu'il ne s'endommage pas.

Dépannage

Problème	Solution
Le plateau ne tourne pas.	<ul style="list-style-type: none"> • L'adaptateur secteur est-il branché à la prise ? Connectez l'adaptateur secteur à la prise. • La fiche de l'adaptateur secteur est-elle enlevée ? Vérifiez si la fiche est correctement fixée à l'adaptateur secteur ou non. • La courroie a-t-elle glissé du plateau ? Placez correctement la courroie sur le plateau. • La courroie est-elle placée sur la poulie du moteur ? Assurez-vous que la courroie soit placée correctement sur la poulie du moteur. • La courroie a-t-elle été endommagée ? Remplacez-la par une neuve.
Le plateau tourne mais aucun son n'en sort ou le volume n'est pas assez fort.	<ul style="list-style-type: none"> • Les paramètres de fonction et l'entrée pour un équipement connecté (amplificateurs, etc,...) sont-ils correctement sélectionnés ? Vérifiez que les paramètres pour l'équipement connecté sont corrects. • La pointe est-elle endommagée ? Vérifiez la pointe et remplacez-la, si nécessaire. • La pointe est-elle placée correctement sur le corps de la cellule ? Vérifiez la cellule et réglez-la, si nécessaire. • Les positions de réglage pour le sélecteur de préamplificateur sont-ils corrects ? Assurez-vous que les réglages du pré-amplificateur soient corrects, en notant les problèmes courants suivants et leurs causes : <ul style="list-style-type: none"> - S'il n'y a pas de son, ou si le volume n'est pas assez fort, le produit est réglé sur la position "PHONO" et raccordé à l'entrée AUX/LINE de l'amplificateur. - Si le volume est trop fort ou est déformé, le produit est réglé en position "LINE", et raccordé à l'entrée PHONO de l'amplificateur. • La force d'appui est-elle trop forte ? Réglez la force d'appui.
La pointe saute.	<ul style="list-style-type: none"> • La force d'appui est-elle trop faible ? Réglez la force d'appui. • L'anti-skating est-il mal réglé ? Vérifiez que l'anti-skating a été réglé sur la même valeur que la force d'appui de la cellule. • Le disque est-il déformé ? Vérifiez le disque. • Le disque est-il rayé ? Vérifiez le disque.
Il y a des vibrations.	<ul style="list-style-type: none"> • Le produit perçoit-il trop de vibrations du sol, des surfaces des parois, ou des haut-parleurs à proximité ? Diminuez les vibrations ou installez le produit sur une surface qui n'est pas soumise à des effets de vibrations. • Le produit est-il monté sur une surface instable ? Vérifiez que la surface sur laquelle le produit est monté est appropriée.
Il y a un bruit lorsque le disque tourne.	<ul style="list-style-type: none"> • Y-a-t-il des impuretés sur la pointe de lecture de la cellule ? Si des impuretés sont collées sur la pointe de lecture, nettoyez-la à l'aide d'une brosse adaptée vendue dans le commerce.
Le son lorsque le disque tourne est trop rapide ou trop lent.	<ul style="list-style-type: none"> • Les réglages de la vitesse sont-ils corrects pour le produit ? Utilisez le bouton de commande pour sélectionner la vitesse correcte pour le type de disque en cours de lecture.
La vitesse de lecture ralentit ou la rotation est irrégulière.	<ul style="list-style-type: none"> • La courroie est-elle détendue ? Remplacez-la par une neuve.
Un bourdonnement est perçu pendant la lecture.	<ul style="list-style-type: none"> • La ligne à la terre est-elle correctement branchée ? Vérifiez que la ligne à la terre est correctement raccordée. • Le porte-cellule est-il solidement fixé au bras de lecture ? Vérifiez que la bague de verrouillage est serrée.

Dimensions



(Unité : mm)

Spécifications

Caractéristiques de la platine

Type	Tourne-disque à entraînement par courroie manuel
Moteur	Moteur CC
Mécanisme d'entraînement	Entraînement par courroie
Vitesses	33-1/3 tr/min, 45 tr/min
Plateau de la platine	POM (polyoxyméthylène)
Fluctuations de vitesse	< 0,08 % WRMS (33 tours) à 3 kHz
Rapport signal-bruit	> 60 dB
Niveaux de sortie	
“PHONO”	4,5 mV nominal à 1 kHz, 5 cm/sec
“LINE (MM)”	280 mV nominal à 1 kHz, 5 cm/sec
Gain du préamplificateur phono (MM)	36 dB nominal, égalisé RIAA
Gain du préamplificateur phono (MC)	56 dB nominal, égalisé RIAA

Caractéristiques du bras de lecture

Type	Bras de lecture en forme de J à équilibre statique
Longueur réelle	247 mm
Overhang	17 mm
Angle maximal d'erreur de piste	Moins de 2,5 °
Ajustement de la force d'appui vertical	0 à 2,5 g
Poids de cellule applicable (porte-cellule inclus)	15 à 20 g

Caractéristiques du porte-cellule et de la cellule

Modèle de cellule	VM520EB
Type de cellule	Aimant double VM
Impédance de charge recommandée	47 000 ohms
Tension de sortie	4,5 mV (mV à 1 kHz, 5 cm/sec)
Pointe de lecture	0,3 × 0,7 pointe de lecture elliptique collée
Cantilever	Tuyau en aluminium
Plage de force d'appui	1,8 à 2,2 g (standard à 2,0 g)
Poids de la cellule	6,4 g
Porte-cellule	AT-HS10
Poids du porte-cellule	10 g (fils de câbles non compris)
Réglage vertical du porte-cellule	± 5 mm

Caractéristiques générales

Alimentation requise	100 à 240 V, 50/60 Hz, 0,6 A Max.
Consommation énergétique	5,5 W
Adaptateur secteur	12 V, 2 A
Dimensions	450 mm × 352 mm × 157 mm (L × l × P)
Poids	8,3 kg (sans couvercle anti-poussière)
Accessoires inclus	Couvercle anti-poussière, Plateau, Courroie d'entraînement, Contrepoids, Porte-cellule (AT-HS10) avec cellule stéréo VM (VM520EB), Adaptateur 45 tours, Câble audio RCA (1,4 m), Adaptateur secteur (env. 1,3 m) (AD-SE1220KZ)
Pointe de remplacement (Vendue séparément)	VMN20EB
Porte-cellule de remplacement (Vendu séparément)	AT-HS10
Courroie de remplacement (Vendue séparément)	Courroie exclusive AT-LP7

Les caractéristiques sont susceptibles d'être modifiées sans notification préalable suite à des améliorations.

Memo

Einführung

Vielen Dank für den Kauf dieses Audio-Technica-Produktes.

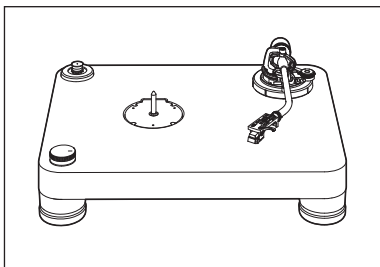
Lesen Sie vor dem Gebrauch des Produktes diese Bedienungsanleitung für eine ordnungsgemäße Nutzung. Bewahren Sie diese Anleitung zudem zur zukünftigen Bezugnahme sicher auf.

Dieses Produkt darf nur in den Ländern verwendet werden, in denen das Produkt verkauft wird. Stellen Sie sicher, dass die Betriebsspannung des Produkts und der Stecker des Netzteils für das Land, in dem Sie leben, richtig sind.

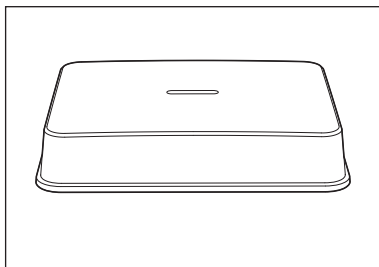
Verpackungsinhalt

Vergewissern Sie sich vor der Verwendung dieses Produktes, dass alle unten genannten Teile vorhanden sind.

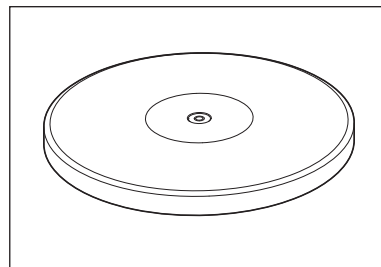
Sollten Teile fehlen oder beschädigt sein, wenden Sie sich an Ihren Audio-Technica-Händler vor Ort.



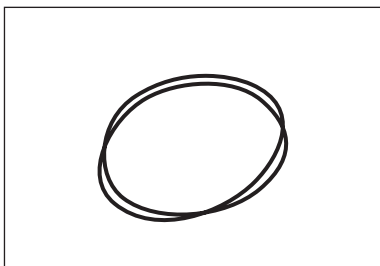
• Plattenspieler



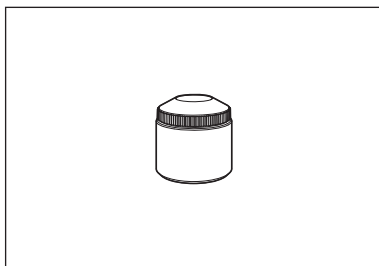
• Staubschutzhaube



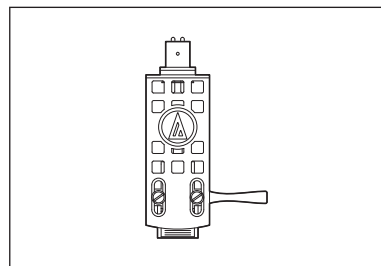
• Plattenteller



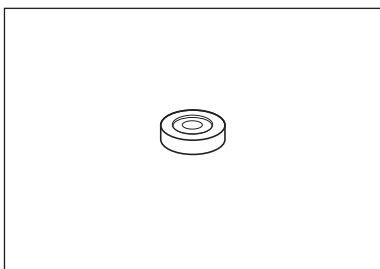
• Antriebsriemen



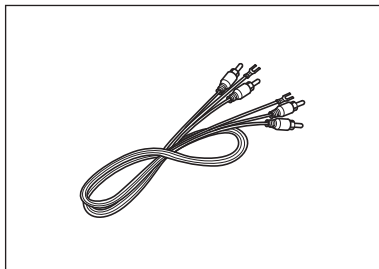
• Gegengewicht



• Headshell (AT-HS10) mit VM-Stereo-Tonabnehmer (VM520EB)



• Adapter für 45 U/min



• Cinch-Audiokabel (ca. 1,4 m)

• Netzteil (ca. 1,3 m)
Der Stecker des Netzteils kann entfernt werden.

• Bedienungsanleitung (dieses Dokument)

Wir empfehlen Ihnen nach dem Kauf alle Verpackungsmaterialien für mögliche künftige Lagerungs-, Umzugs- oder Versandzwecke aufzubewahren.

Sicherheitshinweise

Wichtige Informationen

Warnung:

Setzen Sie das Gerät weder Regen noch Feuchtigkeit aus, um die Gefahr eines Brands oder Stromschlags zu vermeiden.

Vorsicht:

Das Gerät darf weder Tropf- noch Spritzwasser ausgesetzt werden.

Öffnen Sie das Gehäuse nicht, um die Gefahr eines Stromschlags zu vermeiden.

Überlassen Sie Wartungs- oder Reparaturarbeiten nur qualifiziertem Fachpersonal.

Das Gerät darf keiner übermäßigen Hitzeeinwirkung, beispielsweise direktem Sonnenlicht, Feuer oder ähnlichem, ausgesetzt werden.

Schützen Sie das Gerät vor starken Erschütterungen.

Dieses Gerät sollte in der Nähe einer Steckdose platziert werden, damit Sie das Netzteil jederzeit schnell erreichen können.

Trennen Sie das Netzteil in einem Notfall unverzüglich.

Stellen Sie keine mit Flüssigkeiten gefüllten Gegenstände (z. B. Vasen) auf das Gerät.

Stellen Sie keine offenen Feuerquellen (wie brennende Kerzen) auf das Gerät, um die Gefahr eines Brands zu vermeiden.

Stellen Sie dieses Gerät nicht an einem beengten Ort auf, wie beispielsweise einem Bücherregal oder Ähnlichem.

Installieren Sie das Gerät nur an Orten mit guter Belüftung.

Gebrauchshinweise

Plattenspieler

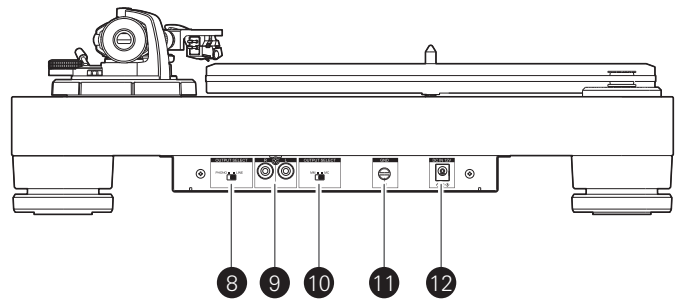
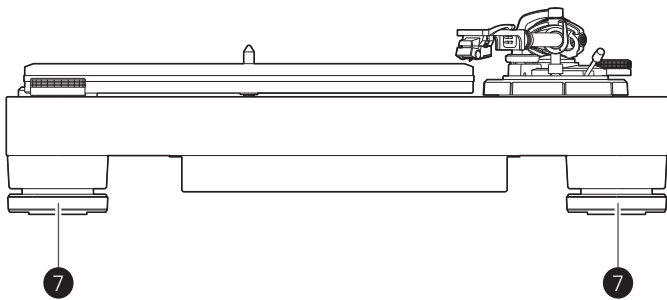
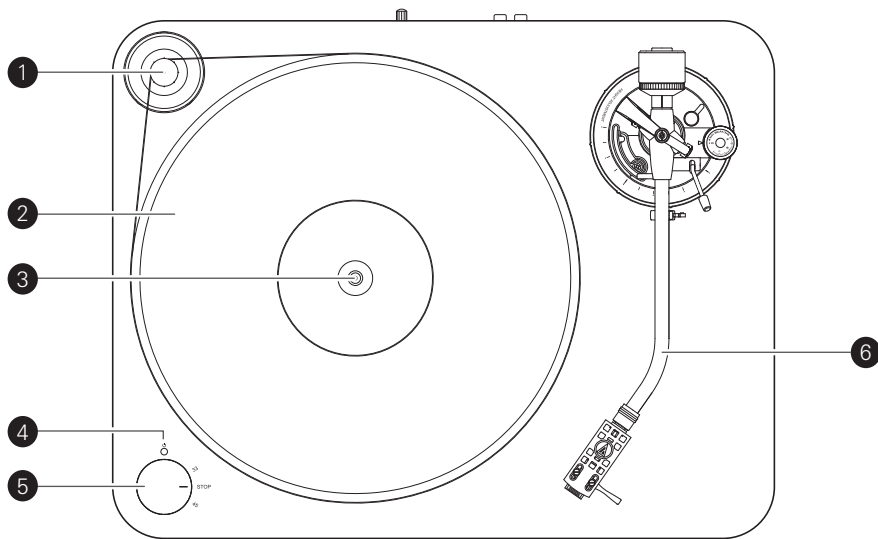
- Verwenden Sie das Produkt nicht an Orten, die besonders heiß, feucht oder verschmutzt sind bzw. extremen Vibrationen ausgesetzt sind und stellen Sie das Produkt nicht dort auf.
- Das Produkt sollte auf einer flachen und geraden Oberfläche aufgestellt werden.

Tonabnehmer

- Senken Sie die Schutzkappe, um die Abtastnadel zu schützen, wenn das Produkt nicht verwendet wird.
- Berühren Sie die Abtastnadel des Tonabnehmers nicht mit Ihren Fingern.
- Achten Sie darauf, dass die Abtastnadel des Tonabnehmers nicht gegen den Plattenteller oder den Rand der Schallplatte stößt.

Bezeichnung und Funktion der Teile

Abbildungen

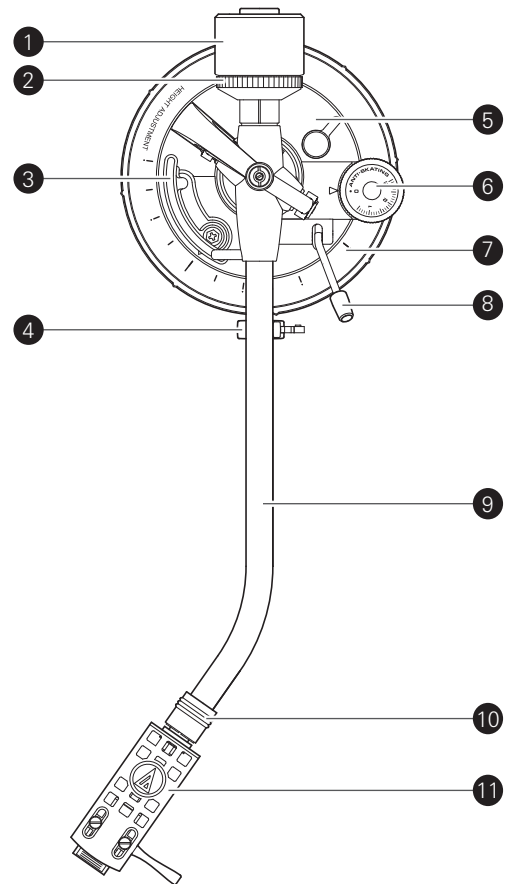


- 1 Riemenscheibe
- 2 Plattenteller
- 3 Mittelachse
- 4 Betriebsanzeige
- 5 Steuerregler
Dient zum Starten und Stoppen des Geräts sowie zum Auswählen der Plattentellergeschwindigkeit.
- 6 Tonarm
Weitere Details finden Sie unter „Tonarm“ auf S. 4.
- 7 Füße
Justieren Sie die Nivellierung des Produkts.
- 8 Vorverstärker-Wahlschalter
Wenn ein Anschluss an die PHONO-Eingangsbuchse eines Verstärkers vorgenommen wird, muss dieser Schalter in die PHONO-Position gestellt werden. Wenn das Gerät an die AUX-Buchse eines Verstärkers angeschlossen wird, muss dieser Schalter in die LINE-Position gestellt werden.
- 9 Stereoausgangsklemmen
Zum Anschließen des Cinch-Audiokabels. Schließen Sie dieses entweder an die PHONO-Eingangsbuchse des Verstärkers oder seine Line-Eingangsbuchse an. Die rote Buchse ist für den rechten Kanal und die weiße Buchse für den linken Kanal vorgesehen.
- 10 MM (VM)/MC-Tonabnehmer-Auswahlschalter
Bei der Verwendung eines MM (VM)-Tonabnehmers muss dieser Schalter in die MM-Position gestellt werden. Bei der Verwendung eines MC-Tonabnehmers muss dieser Schalter in die MC-Position gestellt werden.
- 11 Erdungsanschluss (Masse)
Schließen Sie den Erdungsanschluss (Masse) des Verstärkers über die Erdungsleitung des Cinch-Audiokabels an diese Buchse an.
- 12 Netzeingangsbuchse
Zum Anschließen des Netzteils.

Bezeichnung und Funktion der Teile

Tonarm

- 1 **Gegengewicht**
Balanciert den Tonarm aus und sorgt für die richtige Auflagekraft.
- 2 **Auflagekraft-Passring**
Passt die Auflagekraft an.
- 3 **Tonarmlift**
Bewegt den Tonarm vertikal über die Oberfläche der Schallplatte.
- 4 **Tonarmstütze mit Klammer**
Sichern Sie den Tonarm mit der Klammer, damit er sich nicht bewegt.
- 5 **Tonarmhöhenverstellhebel**
- 6 **Anti-Skating-Drehrad**
Während die Schallplatte abgespielt wird, wirkt eine Kraft auf die Spitze der Abtastnadel, die versucht, sie nach innen zu ziehen. Diese Kraft kann aufgehoben werden, indem der gleiche Wert für die Anti-Skating-Funktion und die Auflagekraft eingestellt wird.
- 7 **Tonarmhöheneinstellrad**
Stellen Sie die Höhe des Tonarms mit dem Einstellrad ein.
- 8 **Tonarmlift-Bedienhebel**
Zur Bedienung des Tonarmlifts.
- 9 **Tonarm**
- 10 **Verriegelungsring**
Drehen Sie den Ring nach links (entgegen dem Uhrzeigersinn), um die Headshell zu sichern. Um die Headshell zu entfernen, drehen Sie den Ring nach rechts.
- 11 **Headshell und Tonabnehmer**
Der Tonabnehmer (VM520EB) ist an der Headshell (AT-HS10) befestigt.



Einrichten des Geräts

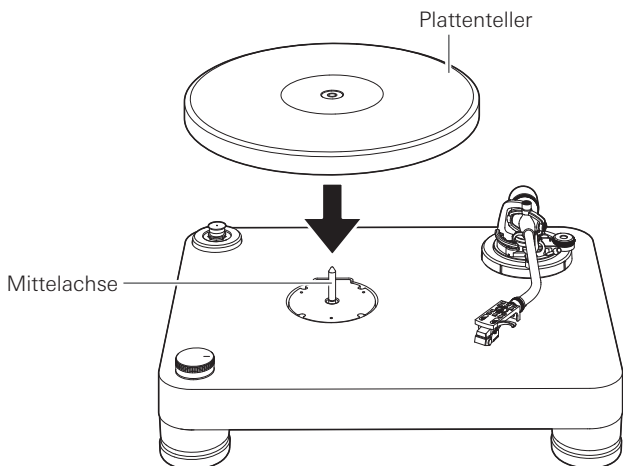
Einsetzen des Plattentellers

Vor der erstmaligen Verwendung des Produkts sind einige vorbereitende Schritte erforderlich.

Schließen Sie das Netzteil erst an, wenn die Montage abgeschlossen ist.

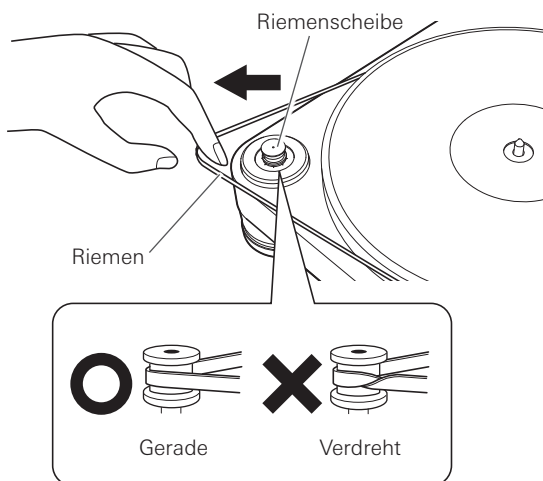
1. Setzen Sie den Plattenteller auf die Mittelachse.

- Um Beschädigung der Mittelachse beim Aufsetzen des Plattentellers zu vermeiden, richten Sie die Öffnung an der Mittelachse aus und setzen Sie den Plattenteller dann langsam ein.
- Vergewissern Sie sich, dass der Plattenteller vollständig auf der Mittelachse sitzt.



2. Befestigen Sie den Riemen zuerst am Plattenteller und erst dann an der Riemenscheibe.

- Stellen Sie sicher, dass der Riemen nicht verdreht wird.



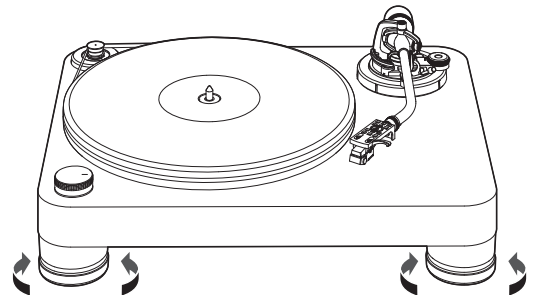
Einrichten des Plattenspielers

- Positionieren Sie das Produkt auf einer geraden Oberfläche.
- Um Vibrations- und Schalldruckeffekte zu vermeiden, sollte das Produkt nicht neben Objekten wie Lautsprechern aufgestellt werden.
- Das Produkt kann möglicherweise Radiowellen aufnehmen, wenn es neben einem Radio aufgestellt wird. Halten Sie das Produkt daher von Radiogeräten fern.
- Wenn das Produkt in der Nähe von Geräten platziert wird, die starke Funkwellen abstrahlen (wie ein Mobiltelefon usw.), könnte Rauschen auftreten.

Nivellieren des Plattenspielers

1. Nachdem das Produkt am gewünschten Ort aufgestellt worden ist, muss es mithilfe der Füße nivelliert werden, d. h. in eine waagerechte Position gebracht werden.

- Verwenden Sie bei Bedarf eine Wasserwaage (separat erhältlich), um sicherzustellen, dass das Produkt nivelliert ist.



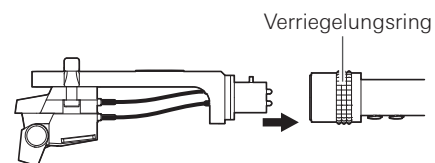
Montage des Tonarms

1. Entfernen Sie den Kabelbinder, der während der Auslieferung zur Sicherung des Tonarms angebracht war.

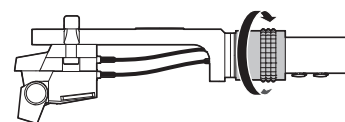
- Sichern Sie den Tonarm vorübergehend mit der Klammer an der Tonarmstütze.

2. Setzen Sie die Headshell in den Tonarm ein.

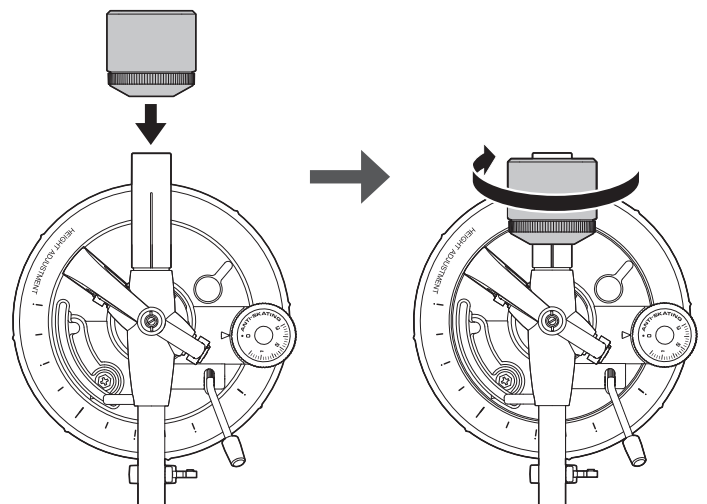
- Halten Sie die Headshell an ihrer rechten und linken Kante fest, um nicht die Abtastnadel zu beschädigen oder die Drähte des Tonabnehmers zu trennen.



3. Drehen Sie den Verriegelungsring mit eingesetzter Headshell entgegen dem Uhrzeigersinn (nach links).



4. Befestigen Sie das Gegengewicht am Ende des Tonarms und drehen Sie es langsam entgegen dem Uhrzeigersinn (nach links), während der Auflagekraft-Passring nach vorn zeigt.



Einrichten des Geräts

Tonarmbalance und Auflagekraft

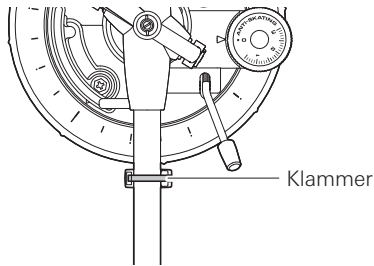
Damit der Tonabnehmer den Ton korrekt von den Rillen der Schallplatte ausliest, muss die Tonarmbalance und die Auflagekraft gemäß den Spezifikationen des Tonabnehmers angepasst werden. Wenn die Tonarmbalance und die Auflagekraft nicht angemessen justiert wurden, kann möglicherweise die Schallplatte oder die Abtastnadel des Tonabnehmers beschädigt werden.

- Ziehen Sie beim Justieren der Tonarmbalance und der Auflagekraft die Abtastnadel des Tonabnehmers nicht über die Schallplatte oder den Plattenteller. Dies könnte die Abtastnadel beschädigen.

Einstellen der Tonarmbalance

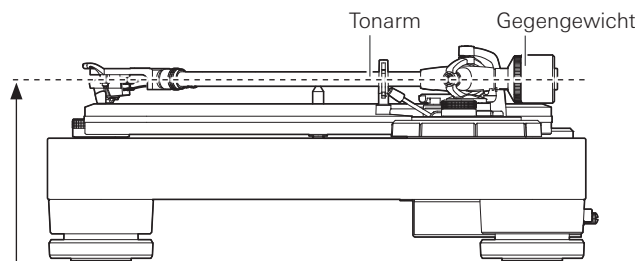
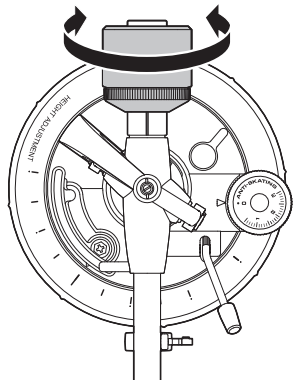
1. Halten Sie die Headshell vorsichtig fest, damit sich der Tonarm nicht bewegt, und entfernen Sie die Klammer.

- Der Tonarm ist geneigt, da die Balance noch eingestellt werden muss.



2. Halten Sie die Headshell weiterhin vorsichtig fest und drehen Sie das Gegengewicht, um die Tonarmbalance einzustellen.

- Passen Sie die Balance an, damit der Tonarm gerade ausgerichtet ist, wenn Sie die Headshell loslassen.



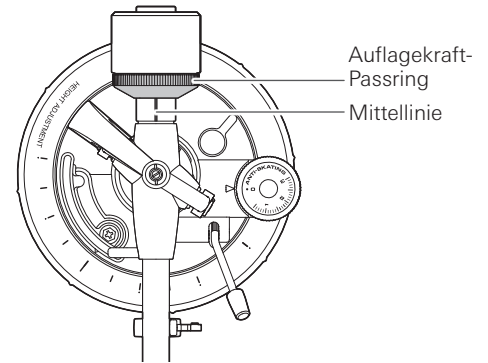
So einstellen, dass der Tonarm gerade ausgerichtet ist

3. Setzen Sie den Tonarm wieder auf die Tonarmstütze.

Einstellen der Auflagekraft

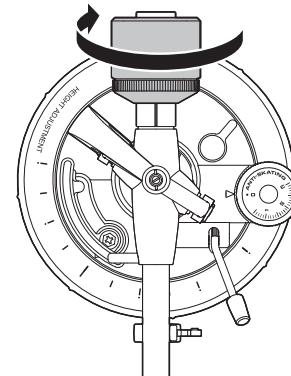
1. Halten Sie das Gegengewicht fest, damit es sich nicht bewegt, und drehen Sie den Auflagekraft-Passring, bis die „0“-Position mit der Mittellinie am Ende des Tonarms übereinstimmt.

- Die Auflagekraft wird nicht einfach durch Drehen des Auflagekraft-Passrings eingestellt.



2. Drehen Sie das Gegengewicht und den Auflagekraft-Passring gemeinsam entgegen dem Uhrzeigersinn (nach links), bis der Wert der Mittellinie der empfohlenen Auflagekraft des verwendeten Tonabnehmers entspricht.

- Angaben zur empfohlenen Auflagekraft entnehmen Sie bitte den Spezifikationen des Tonabnehmer-Herstellers.
- Der Wert für die Auflagekraft des Tonabnehmers, der diesem Produkt beiliegt, beträgt 2,0 g.

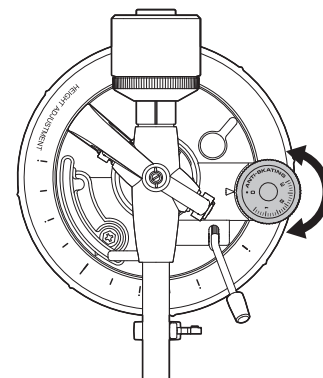


Einstellen der Anti-Skating-Funktion

Während die Schallplatte abgespielt wird, wirkt eine Kraft auf die Spitze der Abtastnadel, die versucht, sie nach innen zu ziehen. Diese Kraft kann aufgehoben werden, indem der gleiche Wert für die Anti-Skating-Funktion und die Auflagekraft eingestellt wird.

1. Stellen Sie das Anti-Skating-Drehrad so ein, dass es den gleichen Wert wie die Auflagekraft hat.

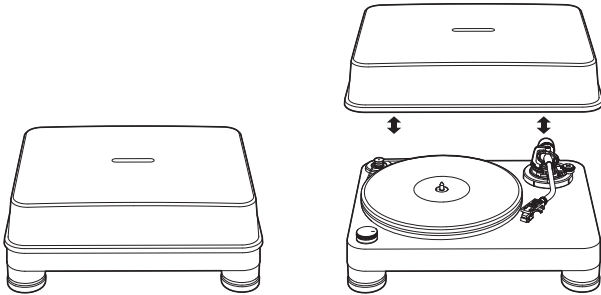
- Der Wert für die Auflagekraft des Tonabnehmers, der diesem Produkt beiliegt, beträgt 2,0 g.



Einrichten des Geräts

Anbringen/Entfernen der Staubschutzhaube

- Die Staubschutzhaube soll die empfindlichen Teile des Produkts schützen, wenn es nicht verwendet wird. Sie sollte abgenommen bleiben, während Schallplatten abgespielt werden.
- Verwendung der Staubschutzhaube beim Abspielen kann Beschädigung von Schallplatten oder Beeinträchtigung des Klangs verursachen.
- Gehen Sie vorsichtig vor, wenn Sie die Staubschutzhaube am Plattenspieler anbringen oder abnehmen.



Einstellen des MM (VM)/MC-Tonabnehmer-Auswahlschalters

Bei der Verwendung eines Moving-Magnet-Tonabnehmers (MM oder VM) muss dieser Schalter in die MM-Position gestellt werden. Bei der Verwendung eines Moving-Coil-Tonabnehmers (MC) muss dieser Schalter in die MC-Position gestellt werden.

- Dieser Schalter ist bei Auslieferung ab Werk auf die MM-Position gestellt. Da es sich bei dem diesem Produkt beiliegenden Tonabnehmer (VM520EB) um einen VM-Stereo-Tonabnehmer handelt, lassen Sie den Schalter in MM-Position, solange Sie diesen Tonabnehmer verwenden.

Einstellen des Vorverstärker-Wahlschalters

Dieses Produkt ist mit einer integrierten Phono-Equalizer-Funktion ausgestattet. Sie können das Produkt auch dann verwenden, wenn Sie über keinen Phono-Verstärker oder kein anschließbares Gerät mit integriertem Phono-Verstärker verfügen, indem Sie einen Aktivlautsprecher usw. anschließen.

Stellen Sie den Ausgang mit dem Vorverstärker-Wahlschalter, wie unten angezeigt, ein.

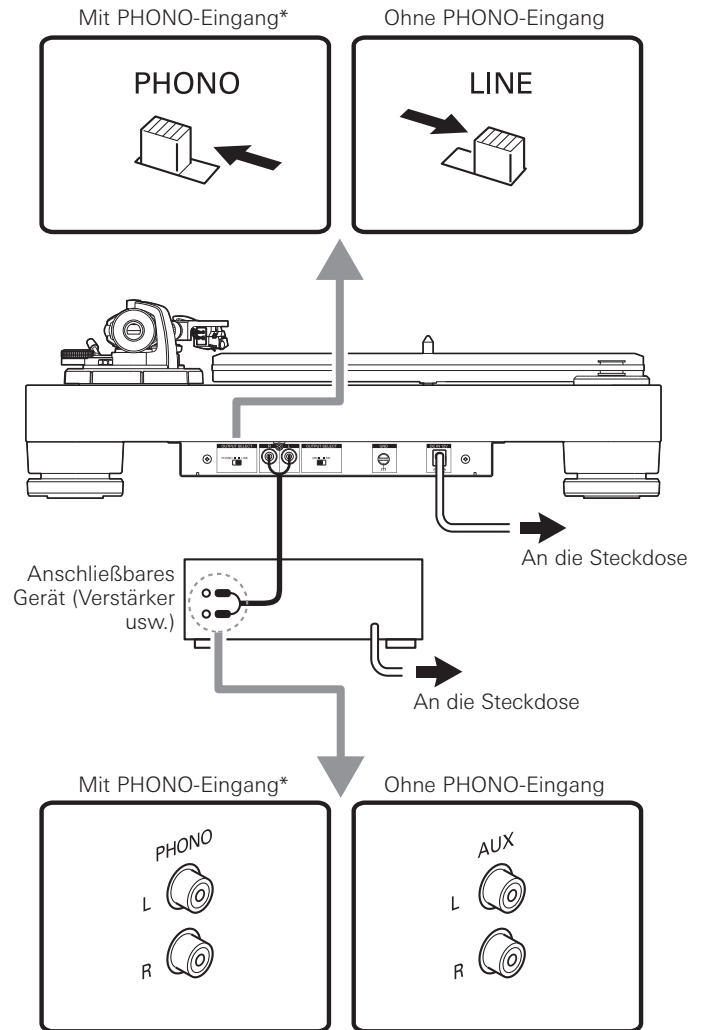
Verwendetes anschließbares Gerät	Position des Vorverstärker-Wahlschalters	Anschlussposition des Cinch-Audiokabels
Gerät mit Phono-Eingang	PHONO	Phono-Eingangsbuchse und Erdungsanschluss (Masse) des anschließbaren Geräts
Gerät ohne Phono-Eingang	LINE	AUX- oder LINE-Eingangsbuchse des anschließbaren Geräts
PC-Soundkarte	LINE	LINE-Eingangsbuchse* der Soundkarte

* Es ist eventuell ein Audioadapter (separat erhältlich) erforderlich, um das Cinch-Audiokabel an die LINE-Eingangsbuchse der PC-Soundkarte anzuschließen.

Anschluss an externe Geräte (Aktivlautsprecher, Verstärker usw.)

Stellen Sie den Vorverstärker-Wahlschalter korrekt ein und verbinden Sie das Cinch-Audiokabel mit einer Eingangsbuchse, die mit dem anschließbaren Gerät, das Sie verwenden (Verstärker, Empfänger, Aktivlautsprecher, Soundkarte usw.) kompatibel ist.

- Die rote Buchse des Cinch-Audiokabels ist für den rechten Kanal (R) und die weiße Buchse für den linken Kanal (L) vorgesehen.



* Je nach anschließbarem Gerät ist eventuell ein Erdungsanschluss (Masse) in der Nähe der Phono-Eingangsbuchse vorhanden. Schließen Sie in diesem Fall die Erdungsleitung des Cinch-Audiokabels daran an. Damit wird ein tiefes Brummen verhindert, das anderenfalls eventuell beim Abspielen der Schallplatte zu hören ist.

Anschließen des Netzteils

Dieses Produkt ist nicht mit einem Betriebsschalter ausgestattet. Es liegt immer ein Ruhestrom an, selbst wenn das Gerät nicht verwendet wird. Trennen Sie das Netzteil von der Steckdose, wenn das Produkt längere Zeit nicht verwendet wird.

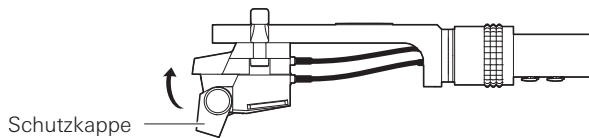
1. Schließen Sie das Netzteilkabel an den Netzanschluss an.
2. Stecken Sie das Netzteil in eine Steckdose.

- Vergewissern Sie sich, dass sich der Steuerregler in der „STOP“-Position befindet.
- Wenn eine Schallplatte unverzüglich nach dem Verbinden des Netzteils mit einer Steckdose abgespielt wird, kann der ausgegebene Ton eventuell verzerrt sein. Nachdem Sie das Netzteil mit der Steckdose verbunden haben, warten Sie einen kurzen Moment (etwa 30 Sekunden), bevor Sie eine Schallplatte abspielen.

Wiedergabe einer Schallplatte

Vor der Wiedergabe einer Schallplatte

1. Bringen Sie die Schutzkappe des Tonabnehmers wieder in die Ausgangs-Oberposition.
 - Wenn der Tonarm an der Tonarmstütze befestigt ist, entfernen Sie die Klammer.

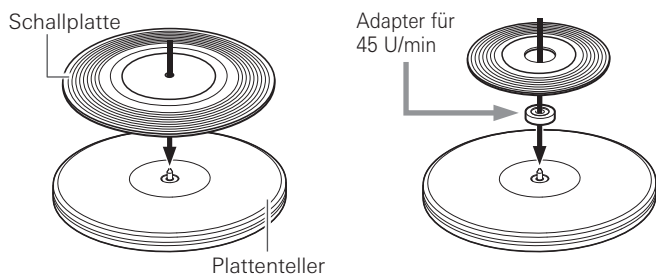


2. Legen Sie eine Schallplatte so auf den Plattenteller, dass das Loch in ihrer Mitte auf der Mittelachse sitzt.

- Befestigen Sie bei der Verwendung einer Schallplatte für 45 U/min den Adapter für 45 U/min (siehe Abbildung rechts unten).

Bei 33-1/3 Umdrehungen pro Minute

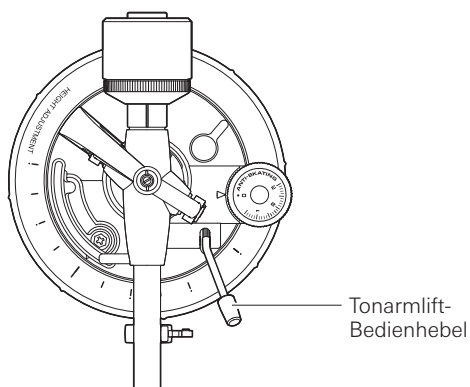
Bei 45 Umdrehungen pro Minute



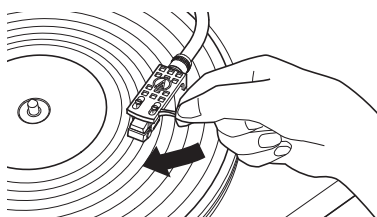
Wiedergabe einer Schallplatte

Verringern Sie die Lautstärke des Verstärkers, des Lautsprechers usw. auf angemessene Weise.

1. Wählen Sie die Geschwindigkeit mit dem Steuerregler aus.
 - Wählen Sie „33“ für eine Schallplatte mit 33-1/3 U/min oder „45“ für eine Schallplatte mit 45 U/min.
 - Die Schallplatte beginnt sich zu drehen.
2. Heben Sie den Tonarm an, indem Sie den Tonarmlift-Bedienhebel in die NACH OBEN-Position bewegen.



3. Positionieren Sie den Tonarm über der gewünschten Stelle (Rille) der Platte.



4. Senken Sie den Tonarm, indem Sie den Tonarmlift-Bedienhebel in die NACH UNTEN-Position bewegen. Der Tonarm sinkt langsam auf die Platte, woraufhin diese abgespielt wird.

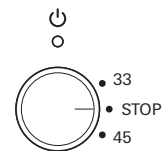
- Überspringen Sie alternativ die Schritte 2 bis 4 und heben Sie die Headshell mit Ihren Fingern an, positionieren Sie den Tonarm über der gewünschten Stelle auf der Schallplatte und setzen Sie die Headshell auf der Schallplatte ab, um mit der Wiedergabe zu beginnen.
- Setzen Sie das Gerät während der Wiedergabe keinen starken Stößen aus.

Anhalten der Wiedergabe

1. Verringern Sie die Lautstärke des Verstärkers, des Lautsprechers usw. auf angemessene Weise, und heben Sie den Tonarm mit dem Tonarmlift-Bedienhebel an.

Stoppen der Wiedergabe

1. Verringern Sie die Lautstärke des Verstärkers, des Lautsprechers usw. auf angemessene Weise.
2. Heben Sie den Tonarmlift-Bedienhebel an, setzen Sie den Tonarm auf die Tonarmstütze und befestigen Sie ihn mit der Klammer.
3. Drehen Sie den Steuerregler in die „STOP“-Position.
 - Der Plattenteller verlangsamt sich und die Drehung stoppt.



4. Entnehmen Sie die Schallplatte, nachdem der Plattenteller zum völligen Stillstand gekommen ist.

- Um die Schallplatte vor Kratzern und Verformungen zu schützen, nehmen Sie sie nach dem Gebrauch ab.
- Verwenden Sie ausschließlich den mitgelieferten Plattenteller.
- Dieses Produkt ist nicht für DJs vorgesehen. Berühren Sie nicht die Schallplatte oder den Plattenteller, während eine Schallplatte abgespielt wird.

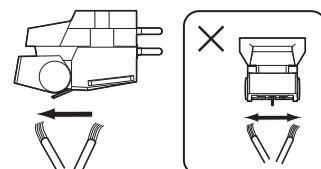
Pflege

Plattenspieler

- Wenn der Plattenspieler verschmutzt oder verstaubt ist, trennen Sie zuerst den Netzstecker und entfernen Sie dann jeglichen Schmutz und Staub mit einem weichen, trockenen Tuch.
- Verwenden Sie kein Benzin, keinen Verdünnern usw.
- Wenn das Produkt für längere Zeit nicht verwendet wird, trennen Sie den Netzstecker von der Steckdose und wickeln Sie das Gerät in eine Plastiktüte. Das Gerät darf nicht feucht werden.

Spitze der Abtastnadel

- Wenn Schmutz an der Spitze der Abtastnadel haftet, reinigen Sie sie mit einem handelsüblichen Pinsel.
- Wenn die Spitze der Abtastnadel erheblich verschmutzt ist, empfehlen wir die Verwendung eines Abtastnadelreinigers (separat erhältlich). Reinigen Sie die Spitze der Abtastnadel, indem Sie den Pinsel von der Rück- zur Vorderseite der Abtastnadel bewegen.

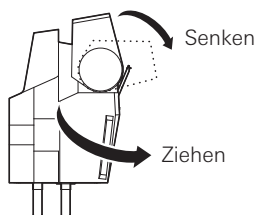


Austauschen der Abtastnadel

Entfernen der Abtastnadel

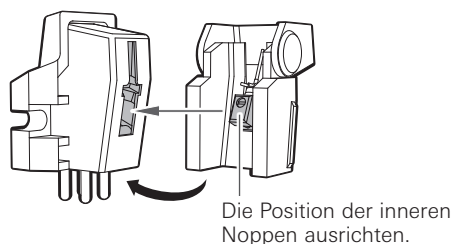
- Wenn die Spitze der Abtastnadel des Tonabnehmers verschlissen ist, kann sich die Tonqualität verschlechtern, aber auch die Schallplatten beschädigt werden.
- Generell sollte die Abtastnadel nach einer Betriebszeit von 300 Stunden ersetzt werden.
- Trennen Sie unbedingt den Stecker des Netzkabels des Gerät von der Steckdose.

1. Lösen Sie die Headshell vom Tonarm.
 - Befestigen Sie den Tonarm mit der Klammer und entfernen Sie die Headshell dann vorsichtig.
2. Senken Sie die Schutzkappe des Tonabnehmers ab und entfernen Sie die Abtastnadel, indem Sie sie in Pfeilrichtung ziehen.



Einsetzen einer neuen Ersatznadel

1. Befestigen Sie die neue Ersatznadel am Tonabnehmer.

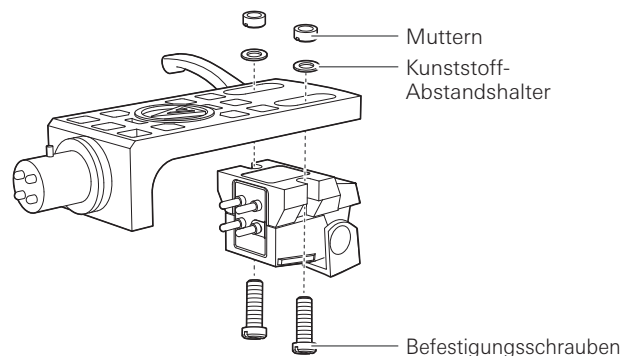


2. Befestigen Sie die Headshell am Tonarm.

Austauschen des Tonabnehmers

Wenn Sie den Tonabnehmer (VM520EB), der diesem Produkt beiliegt, mit einem anderen handelsüblichen Tonabnehmer ersetzen, wenden Sie sich an die Bedienungsanleitung des neuen Tonabnehmers. Nachdem Sie den alten Tonabnehmer durch einen Neuen ersetzt haben, müssen der Überhang, die Balance und Auflagekraft des Tonarms neu angepasst werden.

1. Lösen Sie die Headshell vom Tonarm.
 - Verwenden Sie die Klammer zum Befestigen des Tonarms und entfernen Sie die Headshell dann vorsichtig.
2. Entfernen Sie die Abtastnadel vom Tonabnehmer.
 - Details finden Sie unter „Entfernen der Abtastnadel“ auf Seite 9.
3. Entfernen Sie die Drahtenden.
 - Achten Sie darauf, die Drahtenden nicht zu beschädigen.
4. Entfernen Sie die Befestigungsschrauben mit einem handelsüblichen, metallfreien Schlitzschraubendreher und entfernen Sie dann die Headshell vom Tonabnehmer.
5. Details zur Montage des neuen Tonabnehmers und zum Anschließen der Drahtenden finden Sie in dessen Bedienungsanleitung.

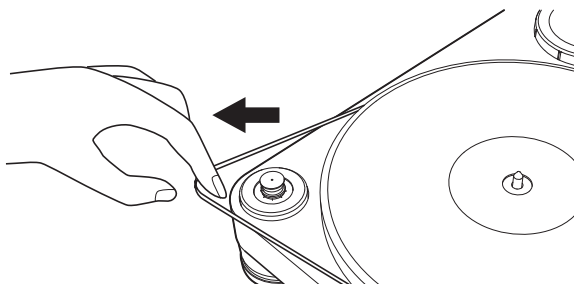


6. Ziehen Sie die Befestigungsschrauben an beiden Stellen mit einem handelsüblichen, metallfreien Schlitzschraubendreher an und passen Sie anschließend den Überhang an.
 - Weitere Details finden Sie unter „Anpassen des Überhangs“ auf S. 11.
 - Ziehen Sie die Schrauben nach dem Abschluss der Anpassungen fest an.
7. Befestigen Sie die Headshell am Tonarm.
8. Stellen Sie die Höhe des Tonarms ein.
 - Beziehen Sie sich während dieser Einstellungen auf „Einstellen der Tonarmhöhe“ auf Seite 10.
9. Passen Sie die Tonarmbalance und Auflagekraft an.
 - Details finden Sie unter „Tonarmbalance und Auflagekraft“ auf Seite 6.

Austauschen des Riemens

- Beim Riemen handelt es sich um ein Verschleißteil. Ersetzen Sie den Riemen, wenn die Wiedergabegeschwindigkeit sich verringert oder unregelmäßige Drehungen auftreten. Generell empfehlen wir, den Riemen jährlich auszutauschen.
- Trennen Sie vor dem Austauschen des Riemens unbedingt den Netzstecker des Gerät von der Steckdose.

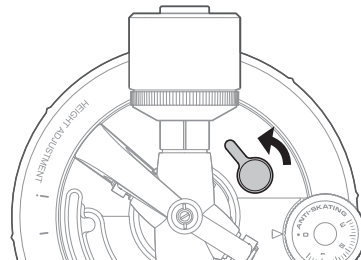
1. Entfernen Sie den alten Riemen.
2. Befestigen Sie den neuen Riemen zuerst am Plattenteller und erst dann an der Riemenscheibe.
 - Achten Sie beim Befestigen des Riemens an der Riemenscheibe darauf, dass sich der Riemen nicht verdreht.



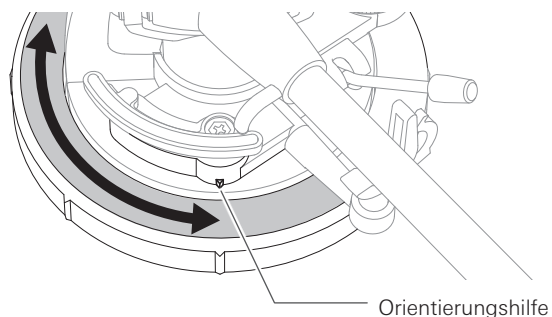
Einstellen der Tonarmhöhe

Wenn ein anderer als der mitgelieferte Tonabnehmer eingesetzt wird, muss ein geeigneter Abstand zwischen dem Tonabnehmer und der Oberfläche der Schallplatte gewährleistet werden. Setzen Sie die Abtastnadel auf die Schallplatte und vergewissern Sie sich, ob der Tonarm parallel zur Schallplattenoberfläche ist, muss die Tonarmhöhe eingestellt werden.

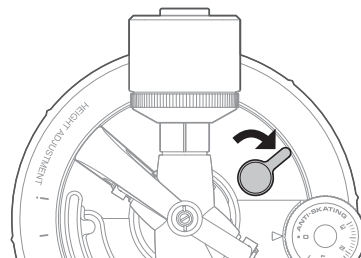
1. Drehen Sie den Tonarmhöhenverstellhebel zum Lösen der Tonarmverankerung.



2. Drehen Sie das Tonarmhöhenstellrad und stellen Sie die Tonarmhöhe ein.



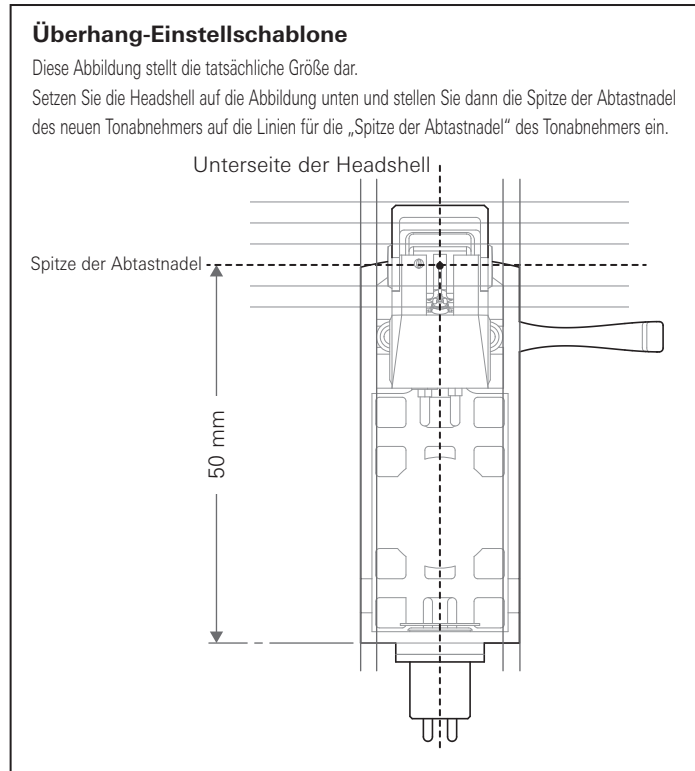
3. Drehen Sie den Tonarmhöhenverstellhebel nach Abschluss der Einstellungen, um den Tonarm einzustellen.



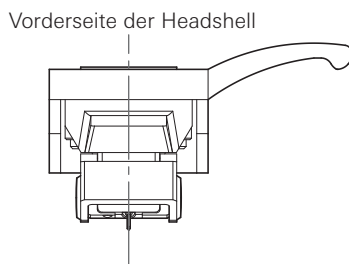
Anpassen des Überhangs

Die Position des Tonabnehmers muss exakt bestimmt werden (das Anpassen des Überhangs), wenn ein anderer als der mitgelieferte Tonabnehmer oder Headshell befestigt wird.

1. Befestigen Sie den Tonabnehmer so, dass er parallel zur Headshell ausgerichtet ist.
 - Bringen Sie die Positionen des Tonabnehmers und der Headshell mit der Abbildung unten zur Deckung und befestigen Sie den Tonabnehmer so, dass er parallel zur Headshell ist.



2. Befestigen Sie den Tonabnehmer so, dass er senkrecht zur Oberseite der Headshell ausgerichtet ist.



Transport des Plattenspielers

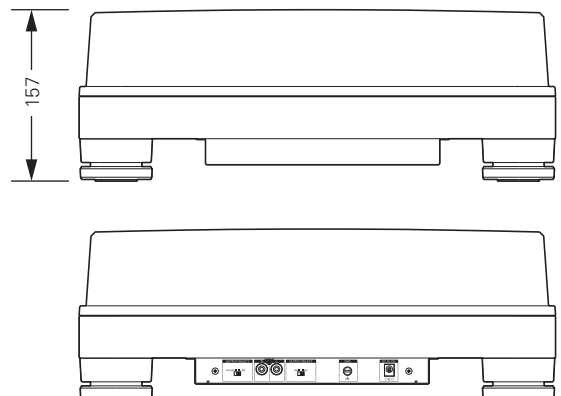
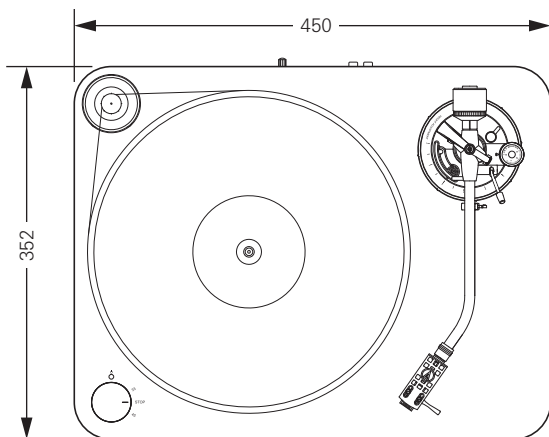
Wickeln Sie den Plattenspieler wieder in die Originalverpackungsmaterialien in umgekehrter Reihenfolge zum Auspacken. Wenn Sie die Verpackungsmaterialien nicht mehr zur Hand haben, ergreifen Sie folgenden Maßnahmen:

- Trennen Sie den Stecker des Netzkabels von der Steckdose, entfernen Sie den Plattenteller und wickeln Sie die Teile dann so ein, dass sie nicht beschädigt werden. Wenn das Produkt mit eingesetztem Plattenteller transportiert wird, könnte die Mittelachse beschädigt werden.
- Befestigen Sie den Tonarm mit der Klammer.
- Entfernen Sie das Gegengewicht.
- Entfernen Sie die Headshell vom Tonarm, während die Schutzkappe des Tonabnehmers abgesenkt ist, und wickeln Sie die gesamte Headshell-Komponente dann so ein, dass sie nicht beschädigt wird.
- Wickeln Sie den Plattenspieler in Papier oder ein weiches Tuch ein, damit er nicht beschädigt wird.

Fehlerbehebung

Problem	Lösung
Der Plattenteller dreht sich nicht.	<ul style="list-style-type: none"> • Ist das Netzteil mit der Steckdose verbunden? Verbinden Sie das Netzteil mit der Steckdose. • Hat sich der Stecker des Netzteils gelöst? Prüfen Sie, ob der Stecker am Netzteil befestigt ist. • Ist der Riemen vom Plattenteller gesprungen? Setzen Sie den Riemen ordnungsgemäß auf den Plattenteller. • Ist der Riemen auf der Riemenscheibe platziert? Überprüfen Sie, ob der Riemen ordnungsgemäß auf der Riemenscheibe platziert ist. • Ist der Riemen beschädigt? Ersetzen Sie den Riemen mit einem Neuen.
Der Plattenteller dreht sich, aber es wird kein Ton ausgegeben oder die Lautstärke ist sehr gering.	<ul style="list-style-type: none"> • Sind die Funktionseinstellungen und der Eingang für die angeschlossenen Geräte (Verstärker usw.) korrekt ausgewählt? Überprüfen Sie, ob die Einstellungen für das angeschlossene Gerät richtig sind. • Ist die Abtastnadel beschädigt? Prüfen Sie die Abtastnadel und ersetzen Sie sie bei Bedarf. • Ist die Abtastnadel ordnungsgemäß in den Tonabnehmer eingesetzt? Prüfen Sie den Tonabnehmer und passen Sie ihn bei Bedarf an. • Ist die Einstellposition des Vorverstärker-Wahlschalters korrekt? Überprüfen Sie, ob die Vorverstärker-Einstellungen korrekt sind und beachten Sie dabei die folgenden häufigen Probleme und ihre Ursachen: <ul style="list-style-type: none"> - Wenn kein Ton ausgegeben wird oder die Lautstärke sehr gering ist, dann ist das Gerät auf die PHONO-Position gesetzt und an den AUX/LINE-Eingang des Verstärkers angeschlossen. - Wenn die Lautstärke zu hoch oder der Ton verzerrt ist, dann ist das Produkt auf die „LINE“-Position gesetzt und am PHONO-Eingang des Verstärkers angeschlossen. • Ist eine zu hohe Auflagekraft eingestellt? Justieren Sie die Auflagekraft.
Die Abtastnadel springt.	<ul style="list-style-type: none"> • Ist eine zu niedrige Auflagekraft eingestellt? Justieren Sie die Auflagekraft. • Ist die Anti-Skating-Funktion nicht richtig eingestellt? Stellen Sie sicher, dass derselbe Wert für das Anti-Skating und die Auflagekraft des Tonabnehmers eingestellt ist. • Ist die Schallplatte verformt? Überprüfen Sie die Schallplatte. • Ist die Schallplatte zerkratzt? Überprüfen Sie die Schallplatte.
Es werden heulende Geräusche ausgegeben.	<ul style="list-style-type: none"> • Nimmt das Produkt übermäßige Vibrationen vom Boden, den Wänden oder sich in der Nähe befindlichen Oberflächen auf? Verringern Sie die Vibrationen oder stellen Sie das Produkt auf eine Oberfläche, die keinen Vibrationseffekten ausgesetzt ist. • Ist das Produkt auf einer instabilen Oberfläche aufgestellt? Überprüfen Sie, ob die Oberfläche, auf der das Produkt aufgestellt ist, geeignet ist.
Bei der Wiedergabe der Schallplatte ist Rauschen zu hören.	<ul style="list-style-type: none"> • Befindet sich Staub an der Spitze der Abtastnadel des Tonabnehmers? Wenn Staub an der Spitze der Abtastnadel haftet, reinigen Sie sie mit einem handelsüblichen Pinsel.
Die Schallplatte wird entweder zu schnell oder zu langsam abgespielt.	<ul style="list-style-type: none"> • Sind die Geschwindigkeitseinstellungen des Produkts korrekt? Wählen Sie die richtige Geschwindigkeit für die Art der abzuspielenden Schallplatte mit dem Steuerregler aus.
Die Wiedergabegeschwindigkeit verringert sich oder die Drehung ist unregelmäßig.	<ul style="list-style-type: none"> • Ist der Riemen abgenutzt? Ersetzen Sie den Riemen mit einem Neuen.
Während der Wiedergabe ist ein Summen zu hören.	<ul style="list-style-type: none"> • Ist die Erdungsleitung ordnungsgemäß verbunden? Vergewissern Sie sich, dass die Erdungsleitung ordnungsgemäß verbunden ist. • Ist die Headshell fest am Tonarm angebracht? Vergewissern Sie sich, dass der Verriegelungsring angezogen ist.

Abmessungen



(Einheit: mm)

Technische Daten

Plattenspieler-Spezifikationen

Typ	Riemenbetriebener manueller Plattenspieler
Motor	Gleichstrommotor
Antriebsart	Riemenantrieb
Geschwindigkeiten	33-1/3 oder 45 Umdrehungen pro Minute
Plattenteller des Plattenspielers	POM (Polypoxymethylen)
Gleichlaufschwankungen	< 0,08 % RMS-Leistung (33 Umdrehungen pro Minute) bei 3 kHz
Signal-Rausch-Verhältnis	> 60 dB
Ausgangspegel PHONO	4,5 mV Nennspannung bei 1 kHz, 5 cm/Sek
LINE (MM)	280 mV Nennspannung bei 1 kHz, 5 cm/Sek
Eingangsverstärkung Phono-Vorverst. (MM)	36 dB Nennpegel, nach RIAA entzerrt
Eingangsverstärkung Phono-Vorverst. (MC)	56 dB Nennpegel, nach RIAA entzerrt

Tonarm-Spezifikationen

Typ	Statischer, balancierter, J-förmiger Tonarm
Effektive Länge	247 mm
Überhang	17 mm
Maximaler Spurfehlwinkel	Weniger als 2,5°
Nadeldruck-Einstellungsbereich	0 bis 2,5 g
Anwendbarer Tonabnehmer-Gewichtsbereich (einschließlich Headshell)	15 bis 20 g

Tonabnehmer- und Headshellspezifikationen

Tonabnehmermodell	VM520EB
Tonabnehmertyp	VM-Dual-Magnet
Empfohlene Lastimpedanz	47.000 Ohm
Ausgangsspannung	4,5 mV (bei 1 kHz, 5 cm/Sek)
Abtastnadel	0,3 × 0,7 mil verbundene elliptische Abtastnadel
Nadelträger	Aluminiumrohr
Auflagekraftbereich	1,8 bis 2,2 g (Standard 2,0 g)
Gewicht des Tonabnehmers	6,4 g
Headshell-Modell	AT-HS10
Gewicht der Headshell	10 g (ohne Anschlussdrähte)
Überhangeinstellung der Headshell	± 5 mm

Allgemeine Spezifikationen

Erforderliche Stromversorgung	100 bis 240 V, 50/60 Hz, 0,6 A Max.
Leistungsaufnahme	5,5 W
Netzteil	12 V, 2 A
Abmessungen	450 mm × 352 mm × 157 mm (B × T × H)
Gewicht	8,3 Kg (ohne Staubschutzhaube)
Enthaltenes Zubehör	Staubschutzhaube, Plattenteller, Antriebsriemen, Gegengewicht, Headshell (AT-HS10) mit VM-Stereo-Tonabnehmer (VM520EB), Adapter für 45 U/min, Cinch-Audiokabel (ca. 1,4 m), Netzteil (ca. 1,3 m) (AD-SE1220KZ)
Ersatznadel (separat erhältlich)	VMN20EB
Ersatzheadshell (separat erhältlich)	AT-HS10
Ersatzriemen (separat erhältlich)	AT-LP7 ohne Riemen

Änderungen der technischen Daten aufgrund von Verbesserungen ohne Ankündigung vorbehalten.

Memo

Ruled area for writing the memo, featuring horizontal dotted lines.

Introduzione

Grazie per aver acquistato questo prodotto Audio-Technica.

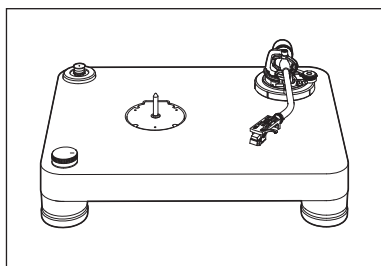
Prima di utilizzare il prodotto, leggere attentamente il presente manuale d'uso per accertarsi di utilizzare correttamente il prodotto. Conservare il presente manuale per riferimento futuro.

Questo prodotto può essere utilizzato soltanto nei paesi in cui è consentita la vendita. Controllare che la tensione di funzionamento e la spina dell'adattatore CA del prodotto sia corretta per il paese di utilizzo.

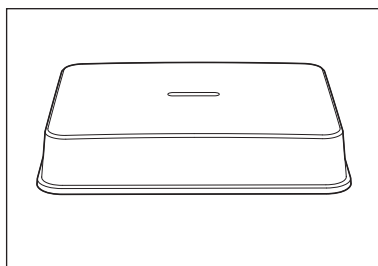
Contenuto della confezione

Prima di utilizzare il prodotto controllare di disporre di tutti i componenti elencati di seguito.

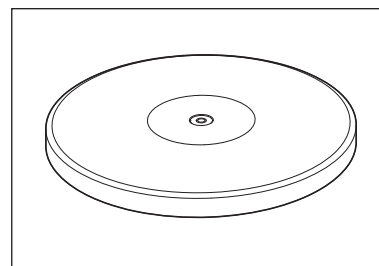
Se mancano alcuni componenti o se questi sono danneggiati contattare il rivenditore locale Audio-Technica.



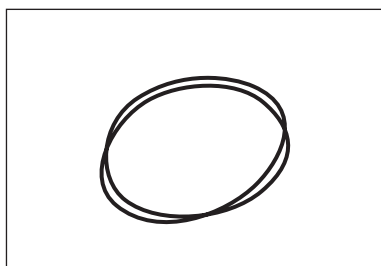
• Corpo del giradischi



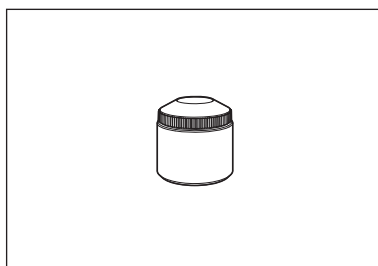
• Copertura antipolvere



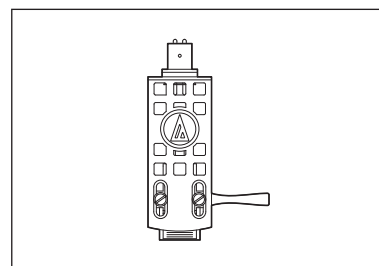
• Piatto



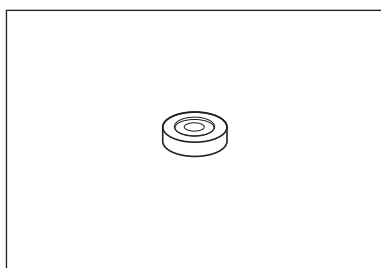
• Cinghia di azionamento



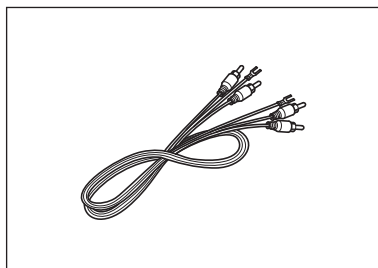
• Contrappeso



• Testina sagomata (AT-HS10) con capsula stereo VM (VM520EB)



• Adattatore per 45 giri



• Cavo audio RCA (ca. 1,4 m)

- Adattatore CA (ca. 1,3 m)
La spina dell'adattatore CA può essere smontata.
- Manuale d'uso (questo manuale)

Dopo l'acquisto, si consiglia di conservare tutto il materiale di imballaggio per poterlo usare in caso di immagazzinamento, trasferimento o spedizione del prodotto.

Precauzioni di sicurezza

Informazioni importanti

Avvertenza:

Per evitare il pericolo di incendi o scosse elettriche, non esporre questo apparecchio alla pioggia o all'umidità.

Attenzione:

Non esporre questo apparecchio a sgoccioli o schizzi di liquidi.

Per evitare scosse elettriche, non aprire il telaio.

Per l'assistenza, rivolgersi esclusivamente a personale qualificato.

Non esporre questo apparecchio a calore eccessivo, ad esempio luce solare, fiamme esposte o simili.

Non sottoporre questo apparecchio a forti urti.

L'apparecchio va posizionato in prossimità di una presa elettrica CA per agevolare il collegamento dell'adattatore Ca in qualsiasi momento.

In caso d'emergenza scollegare rapidamente l'adattatore CA.

Non collocare sopra l'apparecchio oggetti riempiti con liquidi, ad esempio vasi con fiori.

Per evitare il pericolo di incendi, non collocare fonti a fiamma viva (ad esempio candele accese) su questo apparecchio.

Non installare questo apparecchio in spazi ristretti come scaffali o simili.

Installare questo apparecchio in ambienti ben ventilati.

Note per l'uso

Corpo del giradischi

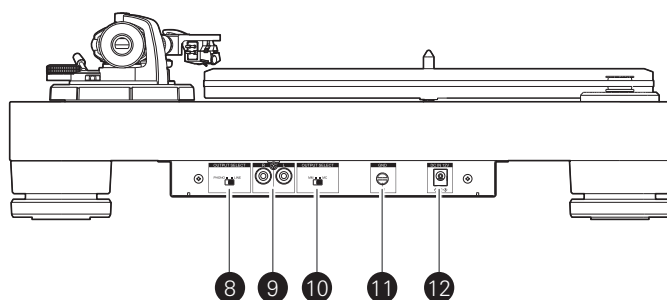
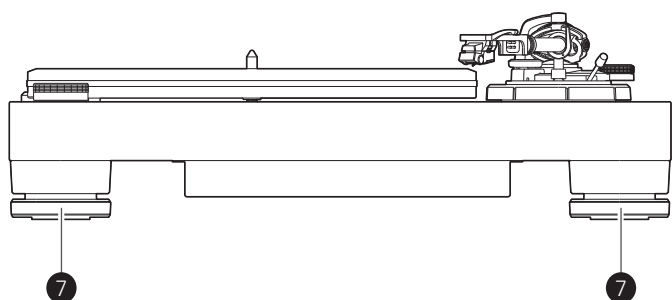
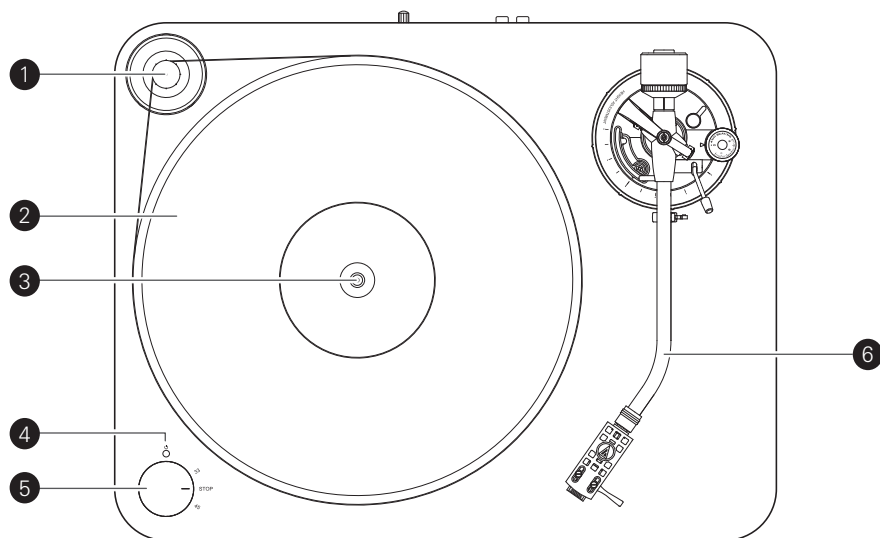
- Non installare e non utilizzare il prodotto in luoghi molto caldi, umidi, sporchi o soggetti a vibrazioni eccessive.
- Il prodotto dovrebbe essere posizionato su una superficie piana, in piano.

Capsula

- Quando il prodotto non è in uso, abbassare la protezione per proteggere la puntina.
- Non toccare la puntina della capsula con le dita.
- Evitare che la puntina della capsula urti contro il piatto, o il bordo del disco.

Nomi di componenti e funzioni

Schema generale



❶ Puleggia del motore

❷ Piatto

❸ Perno

❹ Indicatore di alimentazione

❺ Manopola di controllo

Serve per avviare e arrestare l'unità e per selezionare la velocità del piatto.

❻ Braccio

Per maggiori dettagli vedere "Braccio" a p. 4.

❼ Piedino

Regolare il livello del prodotto.

❽ Selettore del preamplificatore

Se si collega a un amplificatore con jack di ingresso PHONO, impostare questo interruttore nella posizione PHONO. Se si collega un amplificatore con jack AUX, impostare questo interruttore nella posizione LINE.

❾ Terminali di uscita stereo

Collegare il cavo audio RCA. Collegare alla presa dell'ingresso fono dell'amplificatore o alla presa di ingresso di linea. Il terminale rosso è il canale destro e il terminale bianco è il canale sinistro.

❿ Interruttore selettore capsula MM (VM)/MC

Se si utilizza una capsula MM (VM), impostare questo interruttore nella posizione MM. Se si utilizza una capsula MC, impostare questo interruttore nella posizione MC.

⓫ Terminale di massa (terra)

Serve per collegare il terminale di massa dell'amplificatore al presente terminale usando la linea di massa del cavo audio RCA.

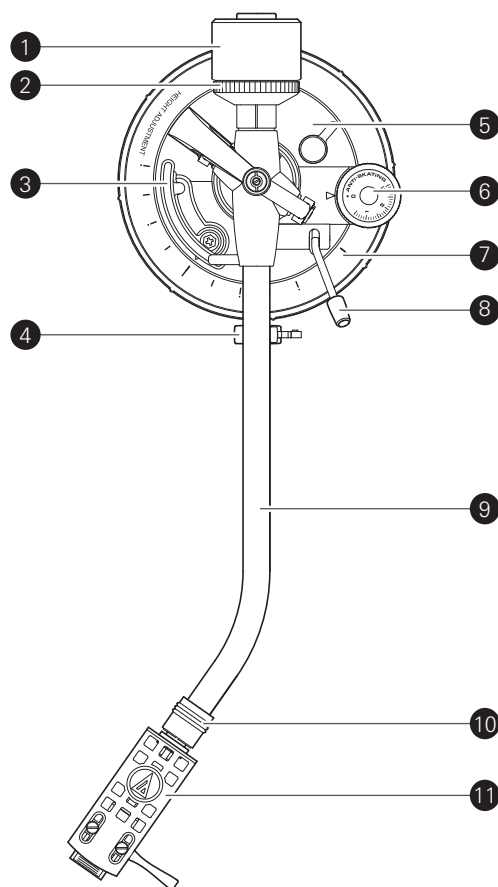
⓬ Presa di ingresso alimentazione

Connette all'adattatore CA.

Nomi di componenti e funzioni

Braccio

- 1 **Contrappeso**
Bilancia il braccio e consente di regolare per ottenere la forza di tracciamento appropriata.
- 2 **Anello del calibro della forza di tracciamento**
Serve per regolare la forza di tracciamento.
- 3 **Sollevamento del braccio**
Sposta il braccio in verticale avvicinandolo o allontanandolo dalla superficie del disco.
- 4 **Supporto braccio con graffa**
Usare la graffa per fissare il braccio in modo che non si sposti.
- 5 **Leva di regolazione dell'altezza del braccio**
- 6 **Ghiera di controllo anti-scivolo**
Mentre il disco è in riproduzione, una forza agisce sulla punte per tirarla verso l'interno. Questa forza può essere contrastata impostando gli stessi valori per la forza anti-scivolo e la forza di tracciamento.
- 7 **Ghiera di regolazione dell'altezza del braccio**
Usare la ghiera di regolazione per impostare l'altezza del braccio.
- 8 **Leva di comando per il sollevamento del braccio**
Aziona il sollevamento del braccio.
- 9 **Braccio**
- 10 **Anello di blocco**
Ruotare l'anello verso sinistra (in senso antiorario) per fissare la testina sagomata. Per smontare la testina sagomata, ruotare l'anello verso destra.
- 11 **Testina sagomata e capsula**
La capsula (VM520EB) è montata sulla testina sagomata (AT-HS10).



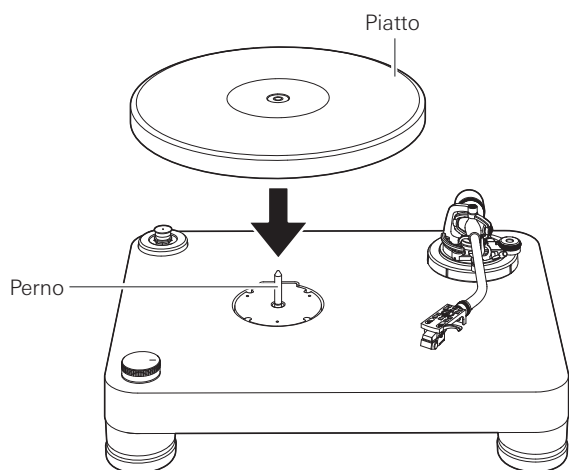
Preparazione all'uso

Posizionamento del piatto

Al primo utilizzo il prodotto richiede alcune operazioni di assemblaggio. Non collegare l'adattatore CA prima di avere terminato il montaggio.

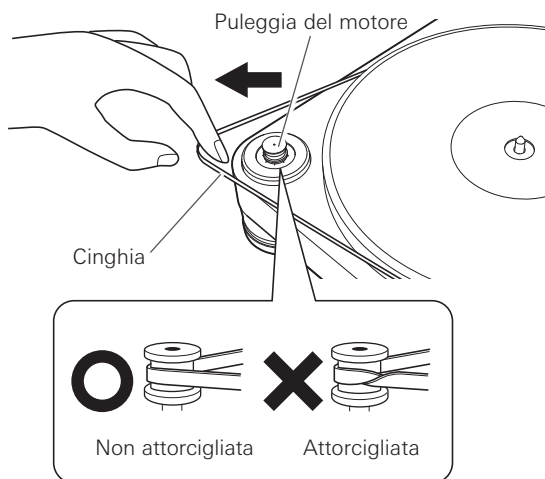
1. Sistemare il piatto sul perno.

- Per evitare di danneggiare il perno quando si posiziona il piatto, allineare le posizioni del perno e il foro del piatto quindi sistemare lentamente in sede il piatto.
- Controllare che il piatto sia sistemato correttamente in sede sul perno.



2. Collegare la cinghia prima al piatto e poi alla puleggia del motore.

- Controllare che la cinghia non si attorcigli.



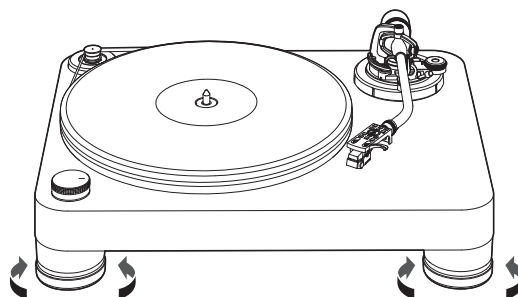
Configurazione del giradischi

- Posizionare il prodotto su una superficie in piano.
- Per evitare gli effetti delle vibrazioni e della pressione acustica non montare il prodotto accanto a determinanti componenti, come gli altoparlanti.
- Se installato accanto a un apparecchio radio il prodotto potrebbe prelevare la carica elettrostatica della radio. Pertanto, tenere il prodotto lontano da apparecchi radio.
- Se il prodotto si trova vicino ad apparecchiature (telefoni cellulari, ecc.) che emettono forti onde radio, potrebbero verificarsi dei disturbi.

Livellamento del giradischi

1. Dopo aver posizionato il prodotto nel punto in cui si desidera usarlo, regolare i piedini in modo che sia in piano.

- Usare una livella (in vendita separatamente) per garantire che il livello del prodotto.



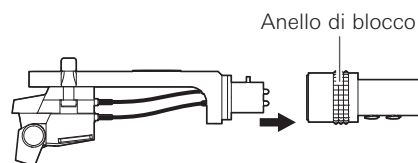
Montaggio del braccio

1. Rimuovere la fascetta fermacavo usata per fissare il braccio durante il trasporto.

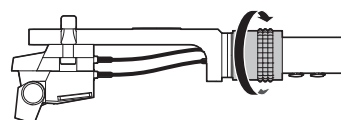
- Usare la graffia per fissare temporaneamente il braccio sul supporto.

2. Inserire la testina sagomata nel braccio .

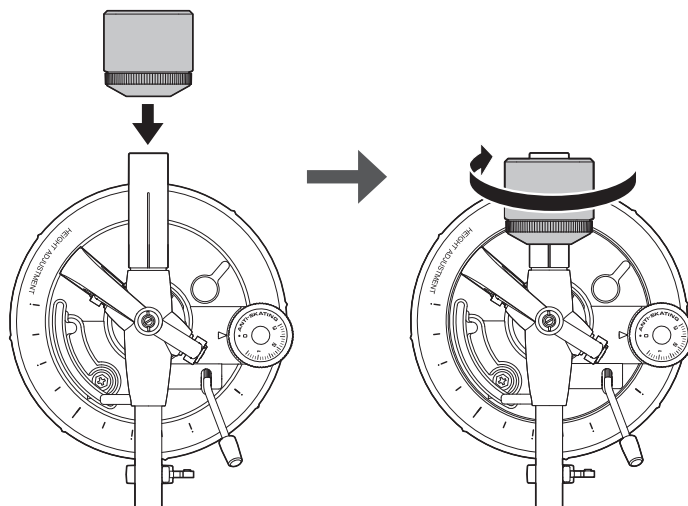
- Sostenere il bordo destro e sinistro della testina sagomata per evitare di danneggiare la puntina o tagliare i cavi della capsula.



3. Quando la testina sagomata è inserita, ruotare l'anello di blocco in senso antiorario (verso sinistra).



4. Con l'anello del calibro della forza di tracciamento rivolto in avanti, attaccare il contrappeso sulla parte posteriore del braccio e ruotarlo lentamente in senso antiorario (verso sinistra).



Preparazione all'uso

Bilanciamento del braccio e forza di tracciamento

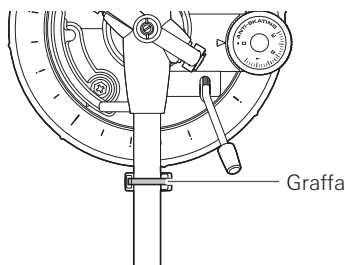
Affinché la capsula sia in grado di percepire il suono correttamente dalle scanalature del disco, il bilanciamento del braccio e la forza di tracciamento devono essere regolati in modo da soddisfare le specifiche della capsula. Se il bilanciamento del braccio e la forza di tracciamento non sono regolate in modo appropriato, il disco e la puntina della capsula potrebbero subire dei danni.

- Non trascinare la puntina della capsula sul disco o sul disco quando si regola il bilanciamento del braccio o la forza di tracciamento. Altrimenti si rischia di danneggiare la puntina.

Impostazione del bilanciamento del braccio

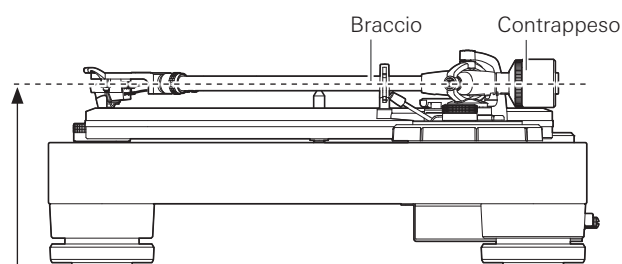
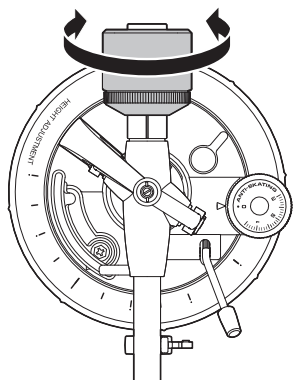
1. Trattene delicatamente la testina sagomata in modo da non spostare il braccio, togliere la graffa.

- Il braccio è inclinato perché l'equilibrio deve essere ancora regolato.



2. Mentre si trattiene ancora delicatamente la testina sagomata, ruotare il contrappeso per regolare il bilanciamento del braccio.

- Regolare il bilanciamento in modo che il braccio sia in piano quando si rilascia la testina sagomata.



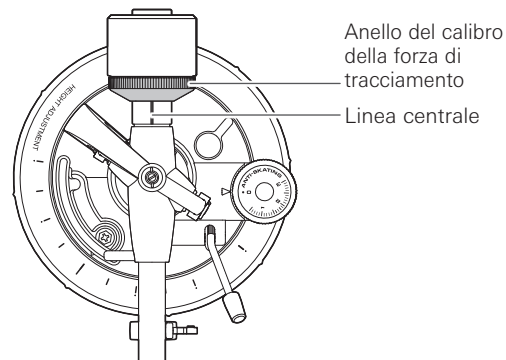
Regolare in modo che il braccio sia in piano

3. Riportare il braccio nella sua sede di appoggio.

Impostazione della forza di tracciamento

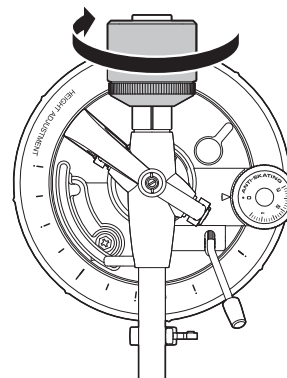
1. Mentre si sostiene il contrappeso per evitare che si sposti, ruotare l'anello del calibro della forza di tracciamento in modo che la posizione "0" si allinei con la linea centrale del retro del braccio.

- La forza di tracciamento non è regolata semplicemente ruotando l'anello del calibro della forza di tracciamento.



2. Ruotare il contrappeso e l'anello del calibro della forza di tracciamento in senso antiorario finché il valore della linea centrale corrisponda al valore della forza di tracciamento della capsula in uso.

- Fare riferimento alle specifiche fornite dal produttore della capsula per il valore della forza di tracciamento.
- Il valore della forza di tracciamento della capsula in dotazione con il prodotto è 2,0 g.

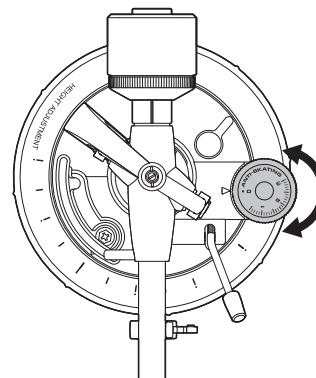


Impostazione della regolazione anti-scivolo

Mentre il disco è in riproduzione, una forza agisce sui punti per tirarla verso l'interno. Questa forza può essere contrastata impostando gli stessi valori per la forza anti-scivolo e la forza di tracciamento.

1. Regolare la ghiera di controllo anti-scivolo per ottenere lo stesso valore della forza di tracciamento.

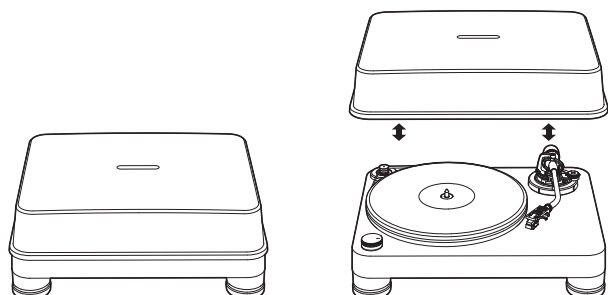
- Il valore della forza di tracciamento della capsula in dotazione con il prodotto è 2,0 g.



Preparazione all'uso

Installazione/rimozione della copertura antipolvere

- Il coperchio antipolvere è progettato per proteggere i componenti sensibili del prodotto quando il prodotto non è in uso. Deve rimanere spento durante la riproduzione dei dischi.
- L'utilizzo del coperchio antipolvere durante la riproduzione può provocare danni o disturbi del suono.
- Ogni volta che si applica o si rimuove la copertura anti-polvere eseguire tali operazioni lentamente.



Interruttore selettore capsula MM (VM)/MC

Se si utilizza una capsula con magnete mobile (MM o VM), impostare questo interruttore nella posizione MM. Se si utilizza una capsula con bobina in movimento (MC), impostare questo interruttore nella posizione MC.

- Questo interruttore è impostato sulla posizione MM al momento dell'acquisto. Poiché la capsula (VM520EB) inclusa con il prodotto è una capsula stereo VM, tenere l'interruttore nella posizione MM fino a quando si continua a utilizzare la capsula.

Impostazione del selettore del preamplificatore

Questo prodotto è provvisto di una funzione fono-equalizzatore integrata. Il prodotto può essere usato anche se non si dispone di un fono-amplificatore o di un'apparecchiatura collegabile con un fono-amplificatore integrato collegando un altoparlante attivo ecc. Usare l'interruttore di selezione del pre-amplificatore, per impostare l'uscita come illustrato di seguito.

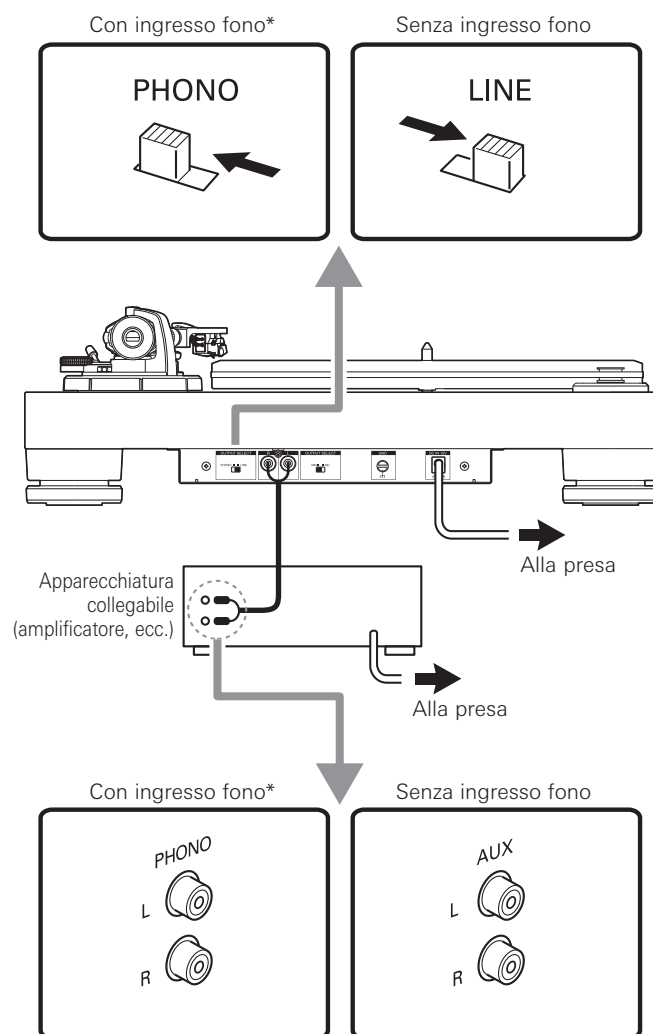
Apparecchiatura collegabile in uso	Posizione del selettore del preamplificatore	Dove collegare il cavo audio RCA
Dispositivo con ingresso fono	PHONO	Jack di ingresso fono e terminale di massa (terra) dell'apparecchiatura collegabile
Dispositivo senza ingresso fono	LINE	Jack AUX o di ingresso di linea dell'apparecchiatura collegabile
Scheda audio del PC	LINE	Jack di ingresso di linea scheda audio*

* Un adattatore audio (in vendita separatamente) può essere necessario per collegare il cavo audio RCA al jack di ingresso della linea della scheda audio del PC.

Collegamento all'apparecchiatura collegabile (altoparlante attivo, amplificatori ecc.)

Allineare le impostazioni per il selettore preamplificatore e collegare il cavo audio RCA a un jack di ingresso che è compatibile con l'apparecchiatura collegabile in uso (amplificatore, ricevitore, altoparlanti attivi, scheda audio, ecc.).

- Il jack rosso del cavo audio RCA deve essere usato per il canale destro (R) mentre il jack bianco è per il canale sinistro (L).



* A seconda dell'apparecchiatura collegabile in uso, accanto al jack di ingresso fono potrebbe essere presente un terminale di massa (terra). In tal caso, eseguire il collegamento usando la linea di massa del cavo audio RCA. Ciò serve per impedire durante la riproduzione l'emissione di un lieve ronzio.

Collegamento dell'adattatore CA

Il prodotto non è provvisto di pulsante di accensione. Una corrente di riserva continua ad essere sempre presente nel prodotto anche quando non in uso; scollegare l'adattatore CA dalla presa se il prodotto non è utilizzato per un periodo prolungato di tempo.

1. Collegare il cavo dell'adattatore CA all'ingresso CA.
2. Inserire l'adattatore CA in una presa.

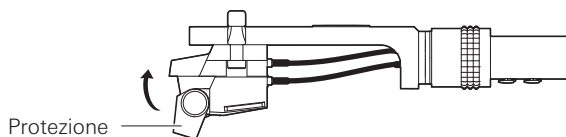
- Accertarsi che la manopola di controllo si trovi nella posizione "STOP".
- Se si avvia la riproduzione di un disco subito dopo aver inserito l'adattatore CA nella presa, il suono potrebbe essere confuso. Attendere un breve periodo (circa 30 secondi) dopo aver inserito l'adattatore CA nella presa prima di riprodurre un disco.

Riproduzione di un disco

Prima di riprodurre un disco

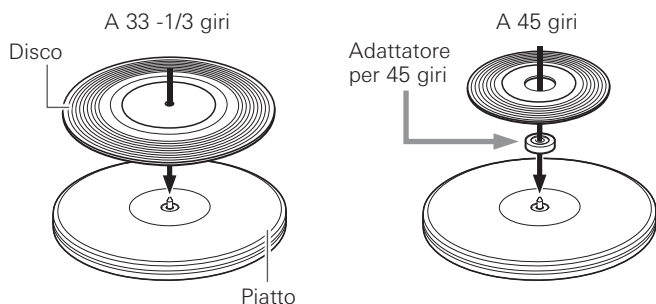
1. Riportare la protezione della capsula nella posizione originaria.

- Se il braccio è fissato sul supporto, togliere la graffa.



2. Posizionare un disco sul piatto, allineando il foro al centro col perno.

- Se si usa un disco a 45 giri, applicare l'adattatore per 45 giri (vedere lato destro dello schema seguente).



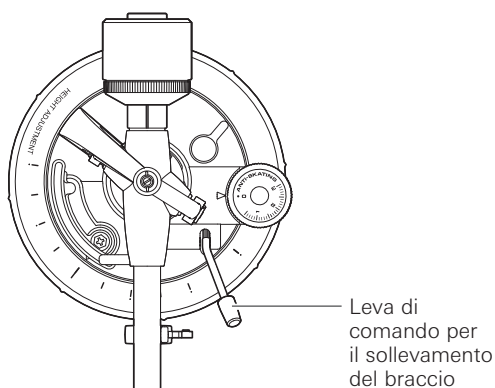
Riproduzione di un disco

Abbassare il volume dell'amplificatore, degli altoparlanti, ecc. adeguatamente.

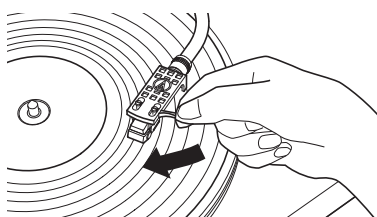
1. Usare la manopola di controllo per selezionare la velocità.

- Selezionare "33" per un disco 33 1/3 giri e "45" per un disco 45 giri.
- Il piatto inizia a girare.

2. Sollevare il braccio alzando la relativa leva di comando nella posizione UP.



3. Posizionare il braccio in corrispondenza del punto (solco) desiderato del disco.



4. Abbassare il braccio spostando la relativa leva di comando nella posizione DOWN. Il braccio scende lentamente sul disco e inizia la riproduzione.

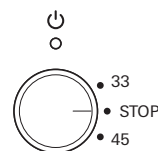
- In alternativa saltare i passaggi da 2 e 4, e usare le dita per sollevare la testina sagomata, spostare il braccio nella posizione desiderata sul disco, quindi abbassare la testina sagomata per iniziare la riproduzione del disco.
- Evitare di urtare il prodotto durante la riproduzione.

Disco in pausa

1. Dopo aver abbassato il volume dell'amplificatore degli altoparlanti, ecc. adeguatamente, sollevare il braccio con la leva di comando per sollevamento del braccio.

Arresto del disco

1. Abbassare il volume dell'amplificatore, degli altoparlanti, ecc. adeguatamente.
2. Sollevare la leva di controllo per il sollevamento del braccio, riportare il braccio sul supporto e fissarlo con la graffa.
3. Ruotare la manopola di controllo nella posizione "STOP".
 - Il piatto rallenta e si arresta la rotazione.



4. Togliere il disco dopo che il piatto si è completamente fermato.

- Per evitare che il disco si graffi e si deformi, toglierlo sempre dopo l'uso.
- Non usare altri piatti al di fuori di quello in dotazione.
- Il prodotto non è indicato per l'uso da parte di DJ. Non toccare il disco o il piatto mentre il disco è in riproduzione.

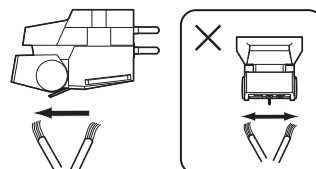
Manutenzione

Corpo del giradischi

- Se il corpo del giradischi è sporco o impolverato, scollegare innanzitutto la spina del cavo di alimentazione e pulire la polvere e lo sporco con un panno morbido e asciutto.
- Non usare benzene, solventi, ecc.
- Quando si conserva il prodotto per un periodo prolungato di tempo, scollegare la spina del cavo di alimentazione e avvolgere l'apparecchiatura con la plastica, evitando che si inumidisca.

Puntina

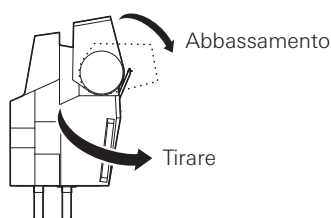
- Se la puntina è molto sporca, pulirla con una spazzola comunemente disponibile in commercio.
- Si consiglia di usare un detergente per puntina (in vendita separatamente) se la puntina è molto sporca. Pulire la puntina spostando la spazzola dal retro alla parte anteriore della puntina.



Sostituzione della puntina

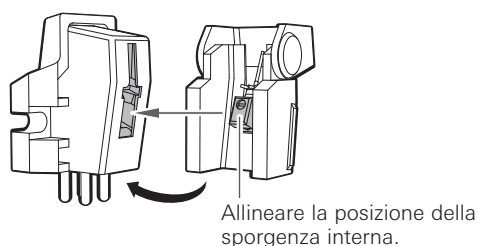
Rimozione della puntina

- Quando la puntina della capsula si usura oltre a determinarsi n peggioramento della qualità del suono si rischia di danneggiare i dischi.
 - Di norma, sostituire la puntina dopo 300 ore di utilizzo.
 - Accertarsi di aver scollegato la spina del cavo di alimentazione del prodotto dalla presa.
1. Sbloccare la testina sagomata dal braccio.
 - Fissare il braccio con la graffa e togliere delicatamente la testina sagomata.
 2. Dopo aver abbassato la protezione della capsula, togliere la puntina tirando nella direzione della freccia.



Installazione di una nuova puntina

1. Montare la nuova testina di ricambio sulla capsula.

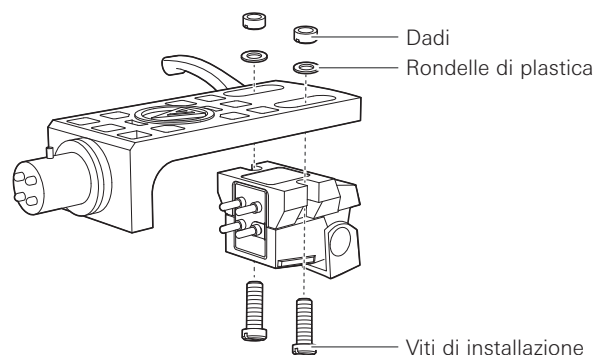


2. Montare la testina sagomata sul braccio.

Sostituzione di una capsula

Vedere il manuale d'uso della capsula che si desidera utilizzare in caso di sostituzione della capsula (VM520EB) installata su questo prodotto con un'altra comunemente disponibile in commercio. Dopo aver sostituito la vecchia capsula con una nuova, si deve regolare nuovamente la sporgenza e il bilanciamento del braccio e della forza di tracciamento.

1. Sbloccare la testina sagomata dal braccio.
 - Utilizzare la graffa per fissare il braccio e togliere delicatamente la testina sagomata.
2. Togliere la puntina dalla capsula.
 - Fare riferimento a "Rimozione della puntina" a pag. 9.
3. Togliere le punte del cavo.
 - Attenzione a non danneggiare le punte del cavo.
4. Usando un cacciavite a taglio, non metallico, comunemente disponibile in commercio, togliere le viti e smontare la capsula dalla testina sagomata.
5. Vedere il manuale d'uso per la nuova capsula per le relative istruzioni di montaggio e di collegamento alle punte del cavo.

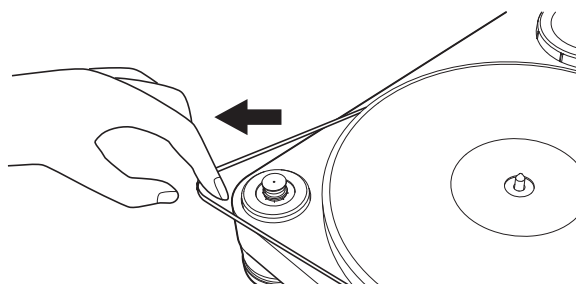


6. Usando un cacciavite a taglio, non metallico, comunemente disponibile in commercio, stringere le viti in entrambe le posizioni e regolare la sporgenza.
 - Fare riferimento a "Regolazione della sporgenza" a pag. 11.
 - Al termine delle regolazioni, stringere saldamente le viti.
7. Collegare la testina sagomata al braccio.
8. Regolare l'altezza del braccio.
 - Vedere "Regolazione dell'altezza del braccio" a pag. 10 prima di effettuare le regolazioni.
9. Regolare il braccio e la forza di tracciamento.
 - Vedere "Bilanciamento del braccio e forza di tracciamento" a partire da pag. 6.

Sostituzione della cinghia

- La cinghia è un componente soggetto a usura. Sostituire la cinghia se la velocità di riproduzione diminuisce o se si verificano delle rotazioni irregolari. Di norma, si consiglia di sostituire la cinghia una volta l'anno.
- Prima di sostituire la cinghia, accertarsi di aver scollegato la spina del cavo di alimentazione del prodotto dalla presa.

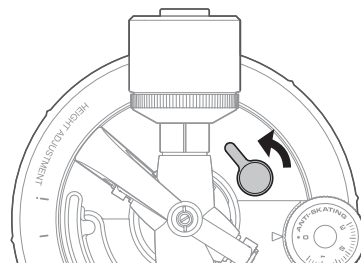
1. Togliere la vecchia cinghia.
2. Collegare la nuova cinghia prima al piatto e poi alla puleggia del motore.
 - Quando si collega la cinghia alla puleggia del motore, controllare che la cinghia non si attorcigli.



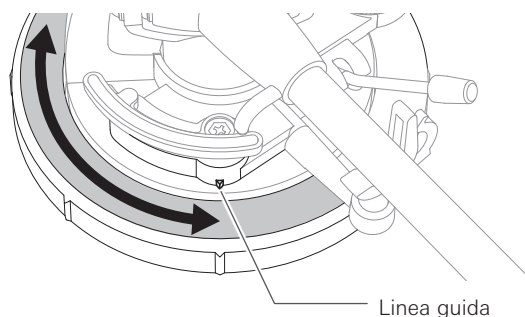
Regolazione dell'altezza del braccio

Quando si monta una capsula diversa da quella in dotazione di deve rispettare una distanza adeguata tra la capsula e la superficie del disco. Posizionare la puntina sul disco e controllare che il braccio sia parallelo alla superficie del disco. Se non è parallelo, regolare l'altezza del braccio.

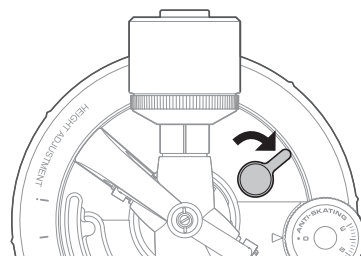
1. Ruotare la leva di impostazione dell'altezza del braccio per allentare l'ancoraggio del braccio.



2. Ruotare la ghiera di regolazione dell'altezza del braccio e regolare l'altezza.



3. Al termine delle regolazione, ruotare la leva di impostazione dell'altezza del braccio per impostarlo.

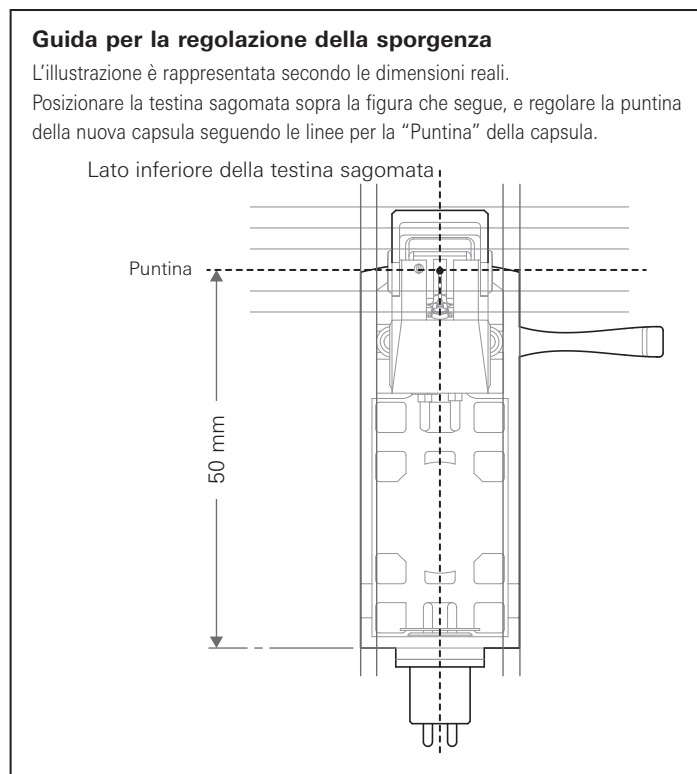


Regolazione della sporgenza

La posizione della capsula deve essere stabilita con precisione (regolando la sporgenza) quando si monta una capsula o una testina sagomata diversa da quella fornita.

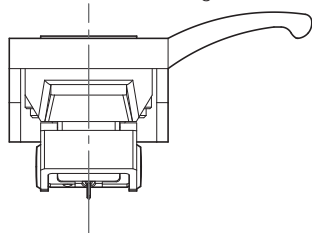
1. Montare la capsula parallela alla testina sagomata.

- Le posizioni della capsula e della testina sagomata devono coincidere con quelle della figura seguente. Montare la capsula parallela alla testina sagomata.



2. Montare la capsula in modo perpendicolare rispetto alla parte alta della testina sagomata.

Parte anteriore della testina sagomata



Spostamento del giradischi

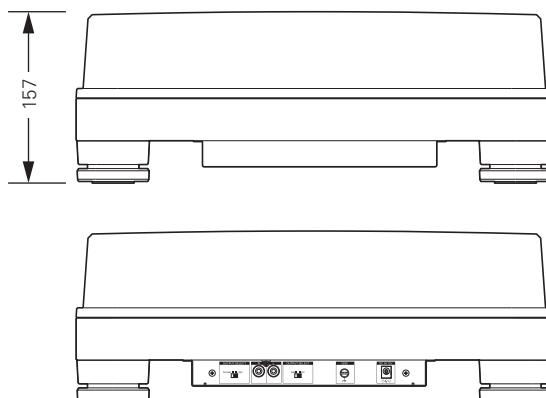
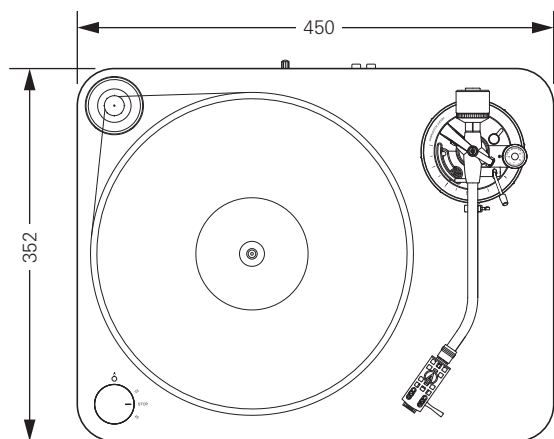
Utilizzando i materiali di imballaggio del prodotto, confezionare il giradischi nell'ordine inverso a quello usato per aprirlo. Se non si dispone dei materiali dell'imballaggio, procedere nel modo seguente:

- Dopo aver scollegato la spina del cavo di alimentazione dalla presa, togliere il piatto, e imballarli in modo che non subiscano danni. Se si sposta il prodotto col piatto ancora in sede, si rischia di danneggiare il perno.
- Fissare il braccio con la graffa.
- Togliere il contrappeso.
- Togliere la testina sagomata dal braccio con la protezione della capsula abbassata e imballare tutto il gruppo della testina sagomata in modo che non subisca danni.
- Imballare il corpo del giradischi con la carta o con un panno morbido in modo che non subisca danni.

Risoluzione dei problemi

Problema	Soluzione
Il piatto non gira.	<ul style="list-style-type: none"> • L'adattatore CA è collegato alla presa? Collegare l'adattatore CA alla presa. • La spina dell'adattatore CA si è scollegata? Controllare che la spina sia collegata correttamente all'adattatore CA. • La cinghia è scivolata via dal piatto? Posizionare correttamente la cinghia sul piatto. • La cinghia è posizionata sulla puleggia del motore? Controllare che la cinghia sia posizionata correttamente sulla puleggia del motore. • La cinghia è stata danneggiata? Sostituirla con una cinghia nuova.
Il piatto gira ma non è emesso alcun suono o il volume non è abbastanza elevato.	<ul style="list-style-type: none"> • Le impostazioni di funzionamento e l'ingresso per l'apparecchiatura collegata (amplificatori, ecc.) sono stati selezionati correttamente? Controllare se le impostazioni per l'apparecchiatura collegata sono corrette. • La puntina è danneggiata? Controllare la puntina e, se necessario, sostituirla. • La puntina è sistemata correttamente su corpo della capsula? Controllare la capsula e regolare, se necessario. • Le posizioni dell'impostazione del selettore del preamplificatore sono corrette? Controllare che le impostazioni del preamplificatore siano corrette, verificando i seguenti problemi comuni e le relative cause: <ul style="list-style-type: none"> - In assenza di suono o se il volume è troppo basso probabilmente il prodotto è configurato sulla posizione "PHONO" e collegato all'entrata AUX/LINE dell'amplificatore. - Se il volume è troppo alto o distorto, il prodotto è impostato sulla posizione "LINE" e collegato all'entrata PHONO dell'amplificatore. • È impostata una a forza di tracciamento eccessiva? Regolare la forza di tracciamento.
La puntina salta.	<ul style="list-style-type: none"> • È impostata una a forza di tracciamento troppo bassa? Regolare la forza di tracciamento. • La funzione anti scivolo è impostata in modo inappropriato? Verificare che sia impostato sullo stesso valore scelto per la forza di lettura della capsula. • Il disco è piegato? Controllare il disco. • Il disco è graffiato? Controllare il disco.
Si sente un rumore simile ad un ululato.	<ul style="list-style-type: none"> • Forse il giradischi riceve troppe vibrazioni dal pavimento, dalle pareti o dagli altoparlanti nelle vicinanze? Ridurre le vibrazioni o sistemare il prodotto su una superficie in piano non soggetta agli effetti delle vibrazioni. • Il prodotto è montato su una superficie non in piano? Controllare se la superficie su cui è montato il prodotto è idonea.
La riproduzione del disco è disturbata.	<ul style="list-style-type: none"> • La puntina della capsula è impolverata? Se la puntina è sporca, pulirla con una spazzola comunemente disponibile in commercio.
Durante la riproduzione del disco il suono è troppo veloce o troppo lento.	<ul style="list-style-type: none"> • Le impostazioni della velocità del prodotto sono corrette? Usare la manopola di controllo selezionare la velocità corretta per il tipo di disco in riproduzione.
La velocità di riproduzione diminuisce o la rotazione è irregolare.	<ul style="list-style-type: none"> • La cinghia è allungata? Sostituirla con una cinghia nuova.
Durante la riproduzione si sente un ronzio.	<ul style="list-style-type: none"> • La linea della terra è collegata correttamente? Controllare che la linea della terra sia collegata correttamente. • La testina sagomata è montata saldamente sul braccio? Controllare l'anello di blocco sia stretto.

Dimensioni



(Unità:mm)

Specifiche tecniche

Specifiche del giradischi

Tipo	Giradischi manuale
Motore	Motore CC
Metodo di azionamento	Azionamento con cinghia
Velocità	33-1/3 giri, 45 giri
Piatto del giradischi	POM (polioossimetilene)
Wow e flutter	< 0,08 % WRMS (33 RPM) a 3 kHz
Rapporto segnale - disturbo	> 60 dB
Livelli di uscita "PHONO" "LINE (MM)"	4,5 mV nominale a 1 kHz, 5 cm/sec 280 mV nominale a 1 kHz, 5 cm/sec
Guadagno preamplificatore fono (MM)	36 dB nominale, equalizzazione RIAA
Guadagno preamplificatore fono (MC)	56 dB nominale, equalizzazione RIAA

Specifiche del braccio

Tipo	Braccio a forma di J bilanciato in modo statico
Lunghezza effettiva	247 mm
Sporgenza	17 mm
Angolo di errore lettura massimo	Inferiore a 2,5°
Intervallo di regolazione pressione puntina	Da 0 a 2,5 g
Intervallo di peso della capsula applicabile (senza testina sagomata)	Da 15 a 20 g

Specifiche di capsula e testina sagomata

Modello capsula	VM520EB
Tipo di capsula	VM a magnete doppio
Impedenza di carico consigliata	47.000 ohm
Tensione in uscita	4,5 mV (mV a 1 kHz, 5 cm/sec)
Puntina	Puntina ellittica legata 0,3 × 0,7 mil
Elemento a sbalzo	Tubo in alluminio
Intervallo forza di tracciamento	Da 1,8 a 2,2 g (standard 2,0 g)
Peso della capsula	6,4 g
Modello di testina sagomata	AT-HS10
Peso della testina sagomata	10 g (esclusi i cavetti)
Regolazione sporgenza testina sagomata	± 5 mm

Specifiche generali

Requisiti di alimentazione	Da 100 a 240 V, 50/60 Hz, 0,6 A max.
Assorbimento	5,5 W
Adattatore CA	12 V, 2 A
Dimensioni	450 mm × 352 mm × 157 mm (L × L × H)
Peso	8,3 kg (senza coperchio anti-polvere)
Accessori inclusi	Coperchio antipolvere, Piatto, Cinghia di azionamento, Contrappeso, Testina sagomata (AT-HS10) con capsula stereo VM (VM520EB), Adattatore 45 giri, Cavo audio RCA (ca. 1,4 m), Adattatore CA (ca. 1,3 m) (AD-SE1220KZ)
Puntina di ricambio (in vendita separatamente)	VMN20EB
Testina sagomata di ricambio (in vendita separatamente)	AT-HS10
Cinghia di ricambio (in vendita separatamente)	Cinghia esclusiva AT-LP7

Le specifiche sono soggette a cambiamenti senza preavviso.

Introducción

Gracias por adquirir este producto de Audio-Technica.

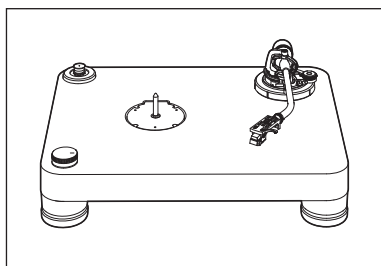
Lea este manual de usuario atentamente antes de utilizar el producto para asegurarse de que lo utiliza correctamente. Conserve este manual para consultarlo en el futuro.

Este producto sólo puede utilizarse en los países en los que se vende. Asegúrese de que el voltaje de servicio y el adaptador de CA del producto son los correctos para el país de destino.

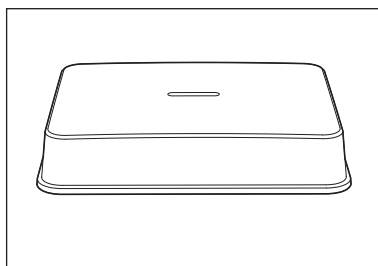
Contenido del paquete

Antes de utilizar este producto, compruebe que cuenta con todos los artículos incluidos que se detallan a continuación.

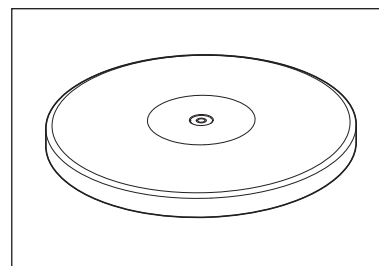
Si falta algún artículo o está dañado, póngase en contacto con su distribuidor local de Audio-Technica.



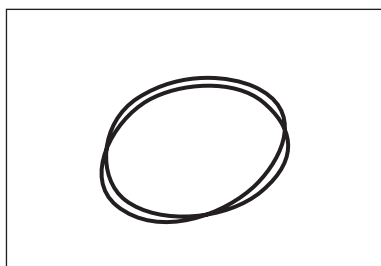
• Cuerpo del giradiscos



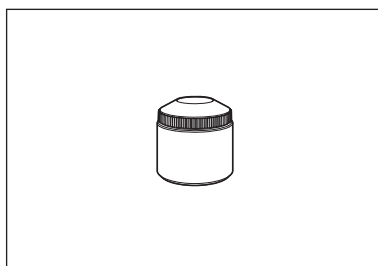
• Cubierta antipolvo



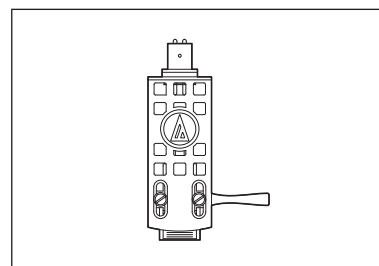
• Plato



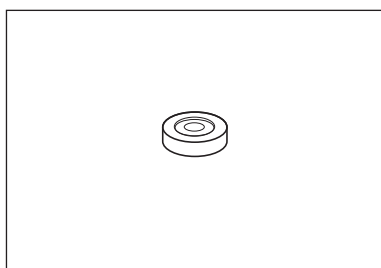
• Correa de transmisión



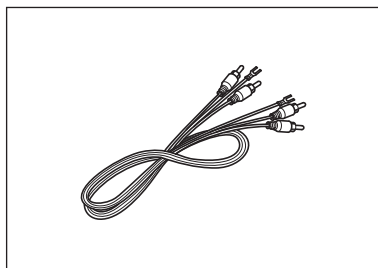
• Contrapeso



• Portacápsulas (AT-HS10) con cápsula estéreo VM (VM520EB)



• Adaptador de 45 RPM



• Cable de audio RCA (1,4 m aprox.)

- Adaptador de CA (1,3 m aprox.)
El enchufe del adaptador de CA es extraíble.
- Manual de usuario (este documento)

Le recomendamos que guarde todo el material de embalaje por si en el futuro lo necesita para almacenamiento, traslado o envío.

Precauciones de seguridad

Información importante

Advertencia:

Para evitar el riesgo de que se produzca un incendio o una descarga eléctrica, no exponga la unidad a la lluvia ni a la humedad.

Precaución:

No deje que la unidad quede expuesta a goteos o salpicaduras.

Para evitar que se produzcan descargas eléctricas, no abra la caja de la unidad. Diríjase sólo a personal cualificado para reparar la unidad.

No exponga este aparato al calor excesivo, por ejemplo, de la luz solar, el fuego o fuentes similares.

No someta la unidad a golpes fuertes.

La unidad debe estar lo suficientemente cerca de la toma de corriente CA para que se pueda coger el adaptador de CA con facilidad en cualquier momento.

En caso de emergencia, desconecte inmediatamente el adaptador de CA.

No coloque sobre la unidad ningún objeto que contenga líquido, por ejemplo, un florero.

Para evitar que se produzcan incendios, no coloque sobre la unidad fuentes de llamas vivas (como velas encendidas).

No instale la unidad en un lugar cerrado como una librería o mobiliario similar.

Instale la unidad únicamente en un lugar que disponga de una ventilación adecuada.

Indicaciones de uso

Cuerpo del giradiscos

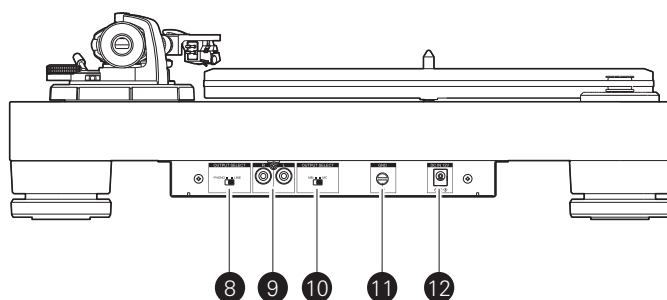
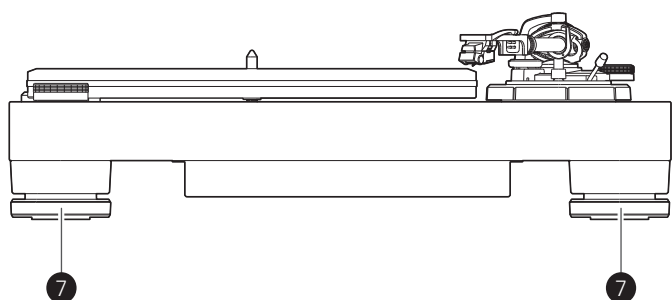
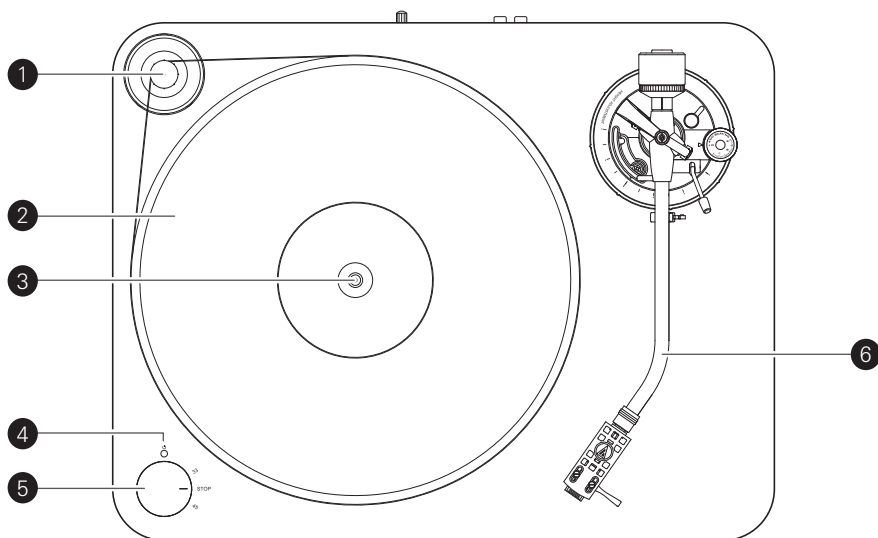
- No coloque ni utilice el producto en lugares sometidos a condiciones de altas temperaturas, humedad, suciedad o vibraciones.
- El producto debe colocarse sobre una superficie plana nivelada.

Cápsula

- Baje el protector para proteger la aguja cuando no vaya a utilizar el producto.
- No toque la aguja de la cápsula con el dedo.
- No permita que la aguja de la cápsula golpee el plato o el borde del disco.

Nombre y funciones de los componentes

Diagrama general



1 Polea del motor

2 Plato

3 Eje

4 Indicador de encendido

5 Mando de control

Se utiliza para iniciar y parar, así como para seleccionar la velocidad del plato.

6 Brazo fonocaptor

Para obtener más información, consulte "Brazo fonocaptor" en la pág. 4.

7 Pies

Ajustan el nivelado del producto.

8 Interruptor selector de preamplificador

Si se conecta a un conector de entrada PHONO de un amplificador, ajuste este interruptor en la posición PHONO. Si realiza la conexión al conector AUX de un amplificador, ajuste este interruptor en la posición LINE.

9 Terminales de salida estéreo

Conecte el cable de audio RCA. Conéctelo al conector de entrada PHONO del amplificador o al conector de entrada de línea. El terminal rojo corresponde al canal derecho y el terminal blanco, al canal izquierdo.

10 Interruptor selector de cápsula MM (VM)/MC

Si utiliza una cápsula MM (VM), ajuste este interruptor en la posición MM. Si utiliza una cápsula MC, ajuste este interruptor en la posición MC.

11 Terminal de tierra (masa)

Conecte el terminal de tierra (masa) del amplificador a este terminal utilizando la línea de tierra del cable de audio RCA.

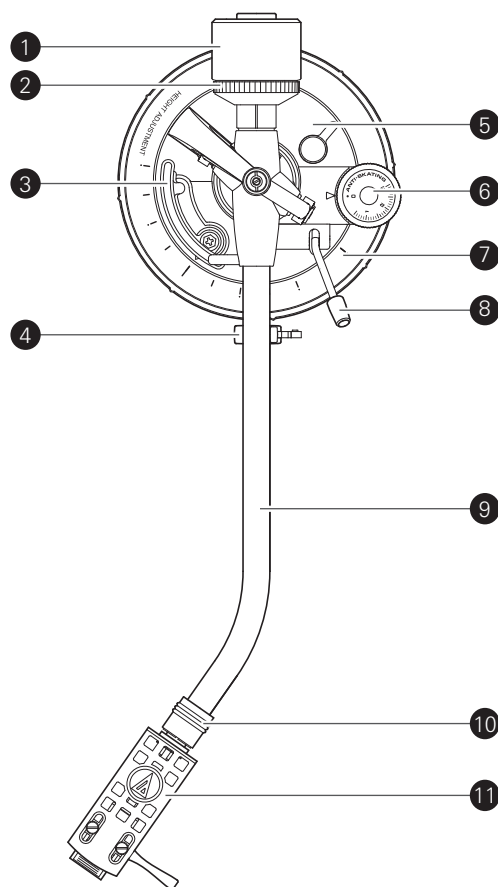
12 Conector de entrada de alimentación

Conecte el adaptador de CA.

Nombre y funciones de los componentes

Brazo fonocaptor

- 1 **Contrapeso**
Equilibra el brazo fonocaptor y se ajusta para proporcionar la fuerza de seguimiento correcta.
- 2 **Anillo calibrador de fuerza de seguimiento**
Se utiliza para ajustar la fuerza de seguimiento.
- 3 **Elevador del brazo fonocaptor**
Desplaza el brazo fonocaptor verticalmente sobre la cara del disco.
- 4 **Soporte del brazo fonocaptor con abrazadera**
Utilice la abrazadera para sujetar el brazo fonocaptor de forma que no se mueva.
- 5 **Palanca de ajuste en altura del brazo fonocaptor**
- 6 **Selector de control "anti-skate" o de compensación de la fuerza lateral**
Durante la reproducción del disco, una fuerza actúa sobre la punta de la aguja que tira de ella hacia dentro. Dicha fuerza puede compensarse estableciendo los mismos valores "anti-skate", o de compensación de la fuerza lateral, y de fuerza de seguimiento.
- 7 **Selector de ajuste en altura del brazo fonocaptor**
Utilice el selector de ajuste para regular la altura del brazo fonocaptor.
- 8 **Palanca de control del elevador del brazo fonocaptor**
Acciona el elevador del brazo fonocaptor.
- 9 **Brazo fonocaptor**
- 10 **Anillo de bloqueo**
Gire el anillo hacia la izquierda (sentido antihorario) para fijar el portacápsulas. Para retirar el portacápsulas, gire el anillo hacia la derecha.
- 11 **Portacápsulas y cápsula**
La cápsula (VM520EB) está acoplada al portacápsulas (AT-HS10).



Preparativos

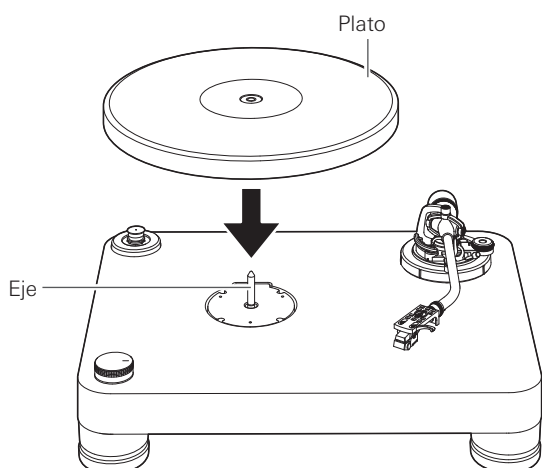
Colocación del plato

Este producto requiere cierta labor de montaje antes de poderse utilizar por primera vez.

No conecte el adaptador de CA hasta no haber completado el montaje.

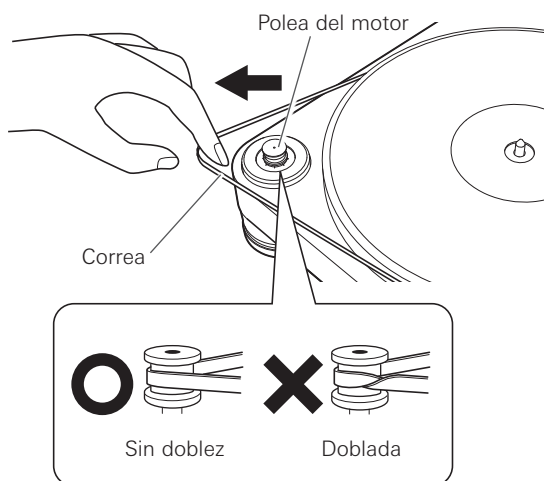
1. Coloque el plato en el eje.

- Para evitar dañar el eje al colocar el plato, alinee las posiciones del eje y del orificio del plato y, a continuación, encaje el plato con cuidado.
- Asegúrese de que el plato quede totalmente encajado en el eje.



2. Coloque primero la correa en el plato, y luego colóquela en la polea.

- Asegúrese de que la correa no se doble.



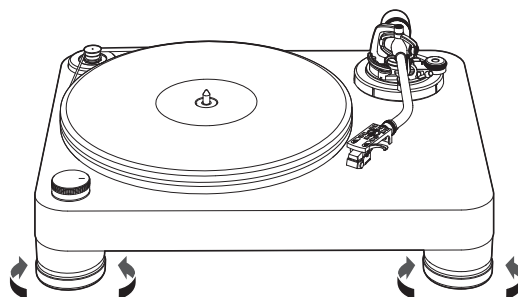
Instalación del giradiscos

- Coloque el producto sobre una superficie nivelada.
- Para evitar los efectos de vibraciones y presión acústica, no sitúe el producto cerca de aparatos tales como altavoces.
- El producto podría captar estática de radio si se sitúa próximo a una radio. Así pues, procure mantener el producto alejado de una radio.
- Si el producto se encuentra cerca de aparatos (móvil, etc.) que emiten ondas de radio intensas, podría producirse ruido.

Nivelación del giradiscos

1. Una vez colocado el producto en el lugar deseado, regule los pies para nivelar el producto.

- Utilice un nivel (se vende por separado) según sea necesario para asegurarse de que el producto esté nivelado.



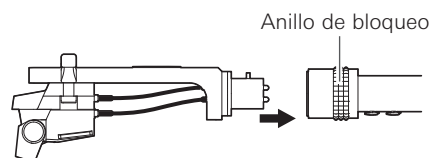
Montaje del brazo fonocaptor

1. Retire la brida utilizada para retener el brazo fonocaptor cuando se entrega el producto.

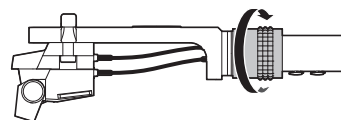
- Utilice la abrazadera para sujetar provisionalmente el brazo fonocaptor en el soporte del brazo fonocaptor.

2. Inserte el portacápsulas en el brazo fonocaptor.

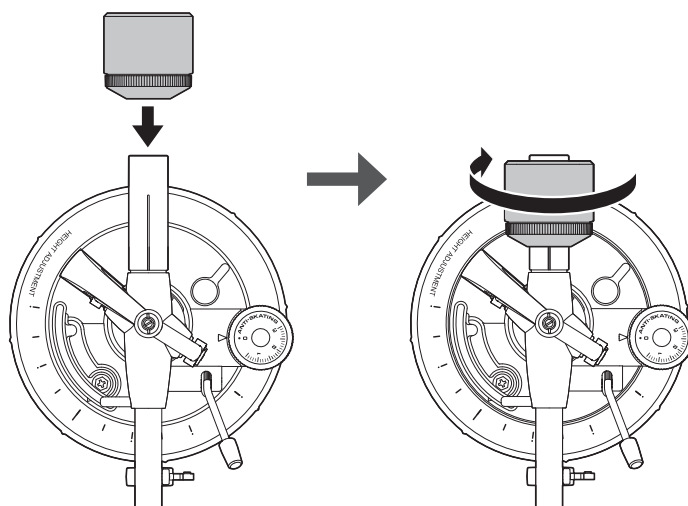
- Sujete el portacápsulas por los bordes derecho e izquierdo para no dañar la aguja ni cortar los hilos de la cápsula.



3. Una vez insertado el portacápsulas, gire el anillo de bloqueo en sentido antihorario (hacia la izquierda).



4. Con el anillo calibrador de fuerza de seguimiento mirando hacia delante, acople el contrapeso a la parte posterior del brazo fonocaptor, y gírelo lentamente en sentido antihorario (hacia la izquierda).



Preparativos

Equilibrio y fuerza de seguimiento del brazo fonocaptor

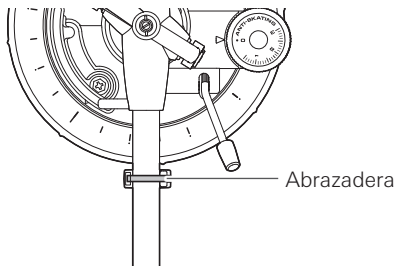
Para que la cápsula pueda captar correctamente el sonido del surco del disco, el equilibrio y la fuerza de seguimiento del brazo fonocaptor deben ajustarse según las especificaciones de la cápsula. Si el equilibrio y la fuerza de seguimiento no se ajustan correctamente, el disco o la aguja de la cápsula podría sufrir daños.

- No arrastre la aguja de la cápsula a lo ancho del disco o del plato cuando ajuste el equilibrio o la fuerza de seguimiento del brazo fonocaptor. Si lo hace, la aguja podría resultar dañada.

Ajuste del equilibrio del brazo fonocaptor

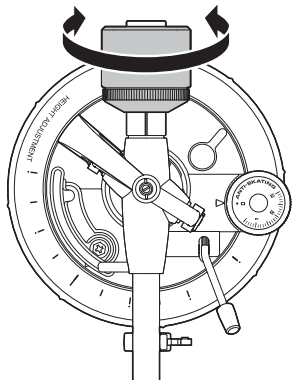
1. Sujetando el portacápsulas con cuidado para evitar que se mueva el brazo fonocaptor, retire la abrazadera.

- El brazo fonocaptor está inclinado porque aún no se ha ajustado.

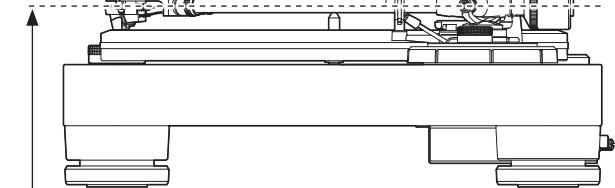


2. Sujetando el portacápsulas con cuidado, gire el contrapeso para ajustar el equilibrio del brazo fonocaptor.

- Ajuste el equilibrio de modo que el brazo fonocaptor esté nivelado cuando suelte el portacápsulas.



Brazo fonocaptor Contrapeso



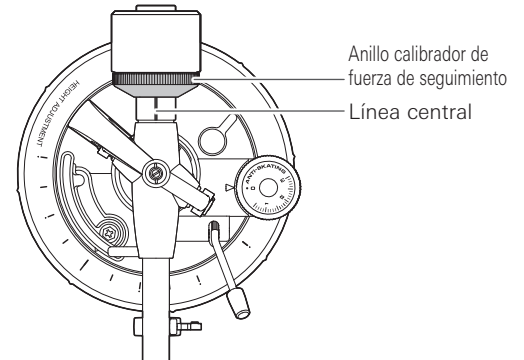
Ajustar hasta nivelar el brazo fonocaptor

3. Vuelva a colocar el brazo fonocaptor sobre su soporte.

Ajuste de la fuerza de seguimiento

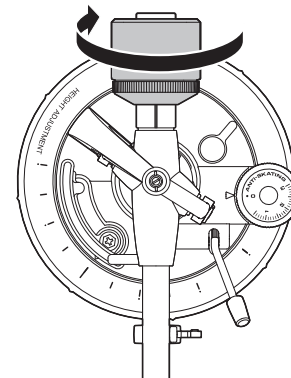
1. Sujetando el contrapeso para que no se mueva, gire el anillo calibrador de fuerza de seguimiento hasta alinear su posición "0" con la línea central de la parte posterior del brazo fonocaptor.

- La fuerza de seguimiento no se ajusta simplemente girando el anillo calibrador de fuerza de seguimiento.



2. Gire el contrapeso y el anillo calibrador de fuerza de seguimiento juntos en sentido antihorario (hacia la izquierda) hasta que el valor de la línea central coincida con el valor de fuerza de seguimiento recomendado para la cápsula que está utilizando.

- Consulte las especificaciones del fabricante de la cápsula para conocer el valor de fuerza de seguimiento recomendado.
- El valor de fuerza de seguimiento de la cápsula suministrada con este producto es de 2,0 g.

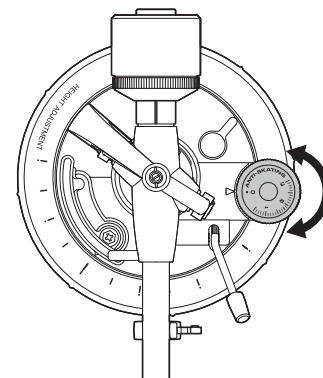


Ajuste del valor "anti-skate", o de compensación de la fuerza lateral

Durante la reproducción del disco, una fuerza actúa sobre la punta de la aguja que tira de ella hacia dentro. Dicha fuerza puede compensarse estableciendo los mismos valores "anti-skate", o de compensación de la fuerza lateral, y de fuerza de seguimiento.

1. Ajuste el selector de control "anti-skate", o de compensación de la fuerza lateral, en el mismo valor que el valor de fuerza de seguimiento.

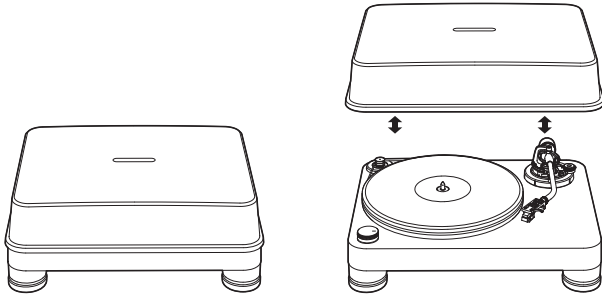
- El valor de fuerza de seguimiento de la cápsula suministrada con este producto es de 2,0 g.



Preparativos

Instalación/retirada de la cubierta antipolvo

- La cubierta antipolvo está diseñada para proteger los componentes sensibles del producto cuando no se utiliza este. Hay que quitarla mientras se reproducen los discos.
- Utilizar la cubierta antipolvo durante la reproducción puede provocar daños en el disco o una degradación del sonido.
- Cuando coloque o retire la cubierta antipolvo, hágalo con cuidado.



Configuración del interruptor selector de cápsula MM (VM)/MC

Si utiliza una cápsula de imán móvil (MM o VM), ajuste este interruptor en la posición MM. Si utiliza una cápsula de bobina móvil (MC), ajuste este interruptor en la posición MC.

- Este interruptor está ajustado en la posición MM en el momento de la compra. Como la cápsula (VM520EB) que se incluye con el producto es una cápsula estéreo VM, mantenga el interruptor en la posición MM siempre que continúe usando la cápsula.

Ajuste del interruptor selector de preamplificador

Este producto incorpora una función ecualizador phono. Puede utilizar el producto, aunque no disponga de un amplificador phono o un equipo conectable, con un amplificador phono integrado al conectarlo a un altavoz activo, etc.

Utilice el interruptor selector de preamplificador para ajustar la salida, como se indica a continuación.

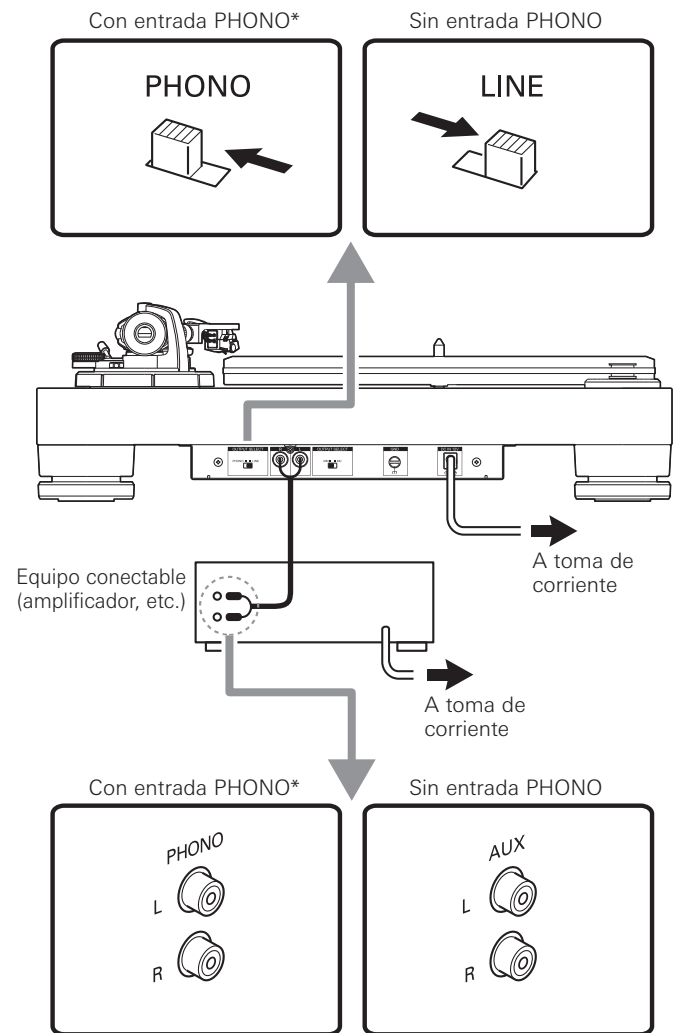
Equipo conectable utilizado	Posición del interruptor selector de preamplificador	Dónde conectar el cable de audio RCA
Dispositivo con entrada phono	PHONO	Conector de entrada phono y terminal de toma de tierra (masa) del equipo conectable
Dispositivo sin entrada phono	LINE	Conector AUX o de entrada de línea del equipo conectable
Tarjeta de sonido del ordenador	LINE	Conector de entrada de línea de la tarjeta de sonido*

* Es posible que se necesite un adaptador de audio (se vende por separado) para conectar el cable de audio RCA al conector de entrada de línea de la tarjeta de sonido del ordenador.

Conexión a un equipo conectable (altavoces activos, amplificadores, etc.)

Alinee los ajustes del interruptor selector de preamplificador y conecte el cable de audio RCA a un conector de entrada que sea compatible con el equipo conectable que esté utilizando (amplificador, receptor, altavoces activos, tarjeta de sonido, etc.).

- El conector rojo del cable de audio RCA es para el canal derecho (R) y el conector blanco, para el canal izquierdo (L).



* Según el equipo conectable que vaya a conectar, puede que haya un terminal de toma de tierra (masa) cerca del conector de entrada phono. Si así fuera, conéctelo utilizando la línea de tierra del cable de audio RCA. Esto ayudará a evitar el zumbido bajo que de lo contrario se oíría durante la reproducción.

Conexión del adaptador de CA

Este producto no dispone de un interruptor de encendido/apagado. Siempre hay una corriente latente que recorre el producto, incluso cuando no se está utilizando; desconecte el adaptador de CA de la toma de corriente cuando no vaya a utilizar el producto durante un periodo de tiempo prolongado.

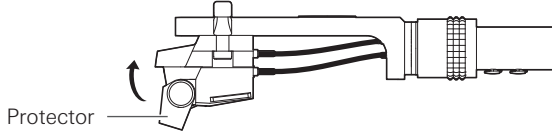
1. Conecte el cable del adaptador de CA a la entrada de CA.
2. Enchufe el adaptador de CA a una toma de corriente.
 - Asegúrese de que el mando de control se encuentra en la posición "STOP" (parar).
 - Si reproduce un disco inmediatamente después de enchufar el adaptador de CA a una toma de corriente, es posible que el sonido se escuche distorsionado. Tras insertar el adaptador de CA en la toma de corriente, espere unos instantes (30 segundos aprox.) antes de reproducir un disco.

Reproducción de discos

Antes de reproducir un disco

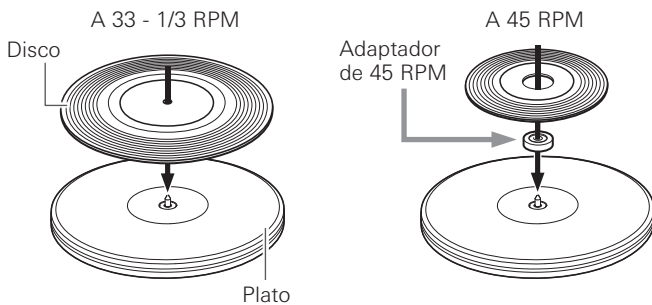
1. Vuelva a colocar el protector de la cápsula en su posición original levantada.

- Si el brazo fonocaptor está asegurado al soporte del brazo fonocaptor, retire la abrazadera.



2. Coloque el disco en el plato de manera que el agujero central quede alineado con el eje.

- Si va a reproducir un disco de 45 RPM, coloque el adaptador de 45 RPM (véase parte derecha del diagrama siguiente).



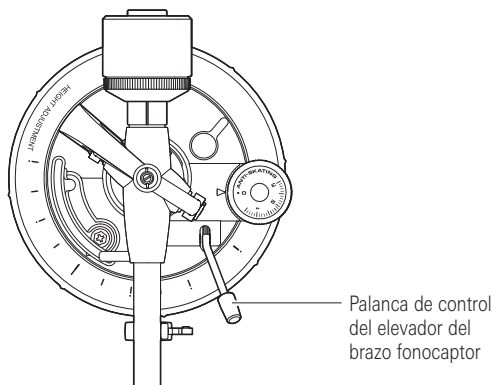
Reproducción de discos

Baje el volumen del amplificador, altavoces, etc., lo suficiente.

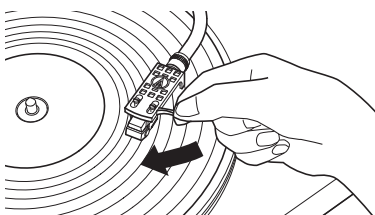
1. Seleccione la velocidad utilizando el mando de control.

- Seleccione "33" para un disco de 33-1/3 RPM, o "45" para un disco de 45 RPM.
- El plato empieza a girar.

2. Suba el brazo fonocaptor situando la palanca de control de elevación del brazo fonocaptor en la posición "UP".



3. Coloque el brazo fonocaptor en la posición deseada (surco) del disco.



4. Baje el brazo fonocaptor situando la palanca de control de elevación del brazo fonocaptor en la posición "DOWN". El brazo fonocaptor desciende lentamente sobre el disco y comienza la reproducción.

- También puede saltarse los pasos 2 a 4, y usar los dedos para elevar el portacápsulas, desplazar el brazo fonocaptor hasta la posición deseada del disco y luego posar el portacápsulas para que empiece a reproducir el disco.
- No someta el producto a impactos fuertes durante la operación de reproducción.

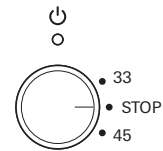
Interrupción de la reproducción de un disco

1. Una vez bajado el volumen del amplificador, altavoces, etc., lo suficiente, levante el brazo fonocaptor con la palanca de control del elevador del brazo fonocaptor.

Parar la reproducción del disco

1. Baje el volumen del amplificador, altavoces, etc., lo suficiente.
2. Levante la palanca de control de elevación del brazo fonocaptor, vuelva a colocar el brazo fonocaptor sobre soporte del brazo fonocaptor y asegúrelo con la abrazadera.
3. Gire el mando de control hasta la posición "STOP" (parar).

- El plato se ralentiza y deja de girar.



4. Retire el disco cuando el plato se haya detenido por completo.

- Para evitar que el disco se arañe o deforme, retírelo después de usarlo.
- No utilice un plato distinto al suministrado.
- Este producto no ha sido diseñado para DJs. No toque el disco o el plato mientras se está reproduciendo un disco.

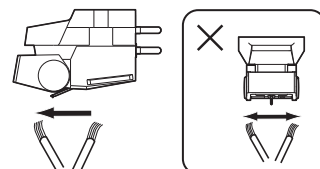
Cuidados

Cuerpo del giradiscos

- Si el cuerpo del giradiscos tiene polvo o suciedad, desconecte primero el enchufe del cable de alimentación y luego limpie la suciedad y el polvo con un paño suave y seco.
- No utilice bencenos, diluyentes, etc.
- Cuando vaya a guardar el producto durante un periodo de tiempo prolongado, desconecte el enchufe del cable de alimentación de la toma de corriente y envuelva el equipo en plástico; procure que no se humedezca.

Punta de la aguja

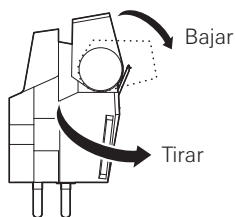
- Si se adhiere suciedad o mugre a la punta de la aguja, límpiela con un cepillo común.
- Se recomienda utilizar un limpiador de agujas (se vende por separado) si la punta de la aguja está muy sucia. Limpie la punta de la aguja moviendo el cepillo de atrás hacia delante de la punta de la aguja.



Reposición de la aguja

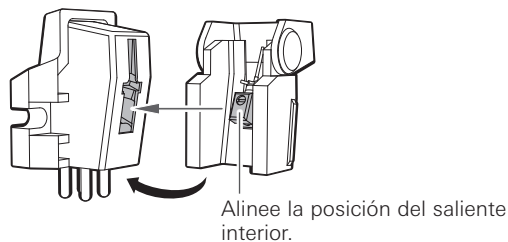
Retirada de la aguja

- Además del deterioro en la calidad del sonido, los discos también podrían sufrir daños a medida que la punta de la aguja de la cápsula se va desgastando.
 - Por regla general, cambie la aguja al cabo de 300 horas de uso.
 - Desconecte el enchufe del cable de alimentación del producto de la toma de corriente.
1. Libere el portacápsulas del brazo fonocaptor.
 - Asegure el brazo fonocaptor con la abrazadera y retire el portacápsulas con cuidado.
 2. Después de bajar el protector de la cápsula, retire la aguja tirando en la dirección de la flecha.



Instalación de una aguja de repuesto nueva

1. Instale la aguja de repuesto nueva en la cápsula.

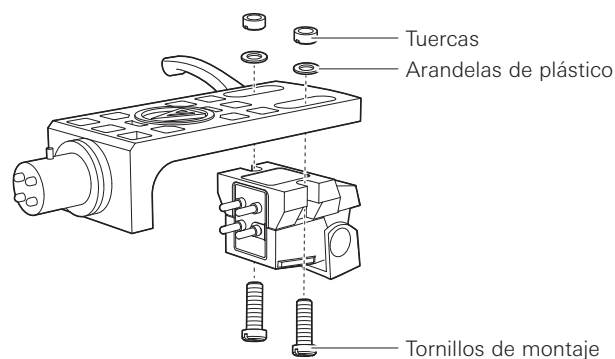


2. Acople el portacápsulas al brazo fonocaptor.

Reposición de una cápsula

Si va a sustituir la cápsula (VM520EB) que venía con este producto por otra disponible en tiendas, consulte el manual de usuario de la cápsula que vaya a utilizar. Una vez sustituida la cápsula antigua por una nueva, debe reajustar la proyección así como el equilibrio y la fuerza de seguimiento del brazo fonocaptor.

1. Libere el portacápsulas del brazo fonocaptor.
 - Utilice la abrazadera para sujetar bien el brazo fonocaptor y retire el portacápsulas con cuidado.
2. Retire la aguja de la cápsula.
 - Consulte "Retirada de la aguja" en la pág. 9.
3. Retire las puntas conductoras.
 - Preste atención para no dañar las puntas conductoras.
4. Sirviéndose de un destornillador no metálico plano común, extraiga los tornillos de montaje y, a continuación, retire la cápsula del portacápsulas.
5. Para obtener instrucciones de montaje y conectar las puntas conductoras, consulte el manual de usuario de la cápsula nueva.

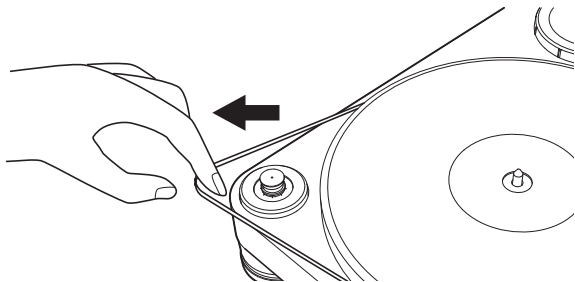


6. Sirviéndose de un destornillador no metálico plano común, apriete los tornillos en ambos puntos y, a continuación, ajuste la proyección.
 - Consulte "Ajuste de la proyección" en la pág. 11.
 - Una vez realizados los ajustes, apriete los tornillos firmemente.
7. Acople el portacápsulas al brazo fonocaptor.
8. Ajuste la altura del brazo fonocaptor.
 - Cuando realice los ajustes, consulte "Ajuste de la altura del brazo fonocaptor" en la pág. 10.
9. Ajuste el equilibrio y la fuerza de seguimiento del brazo fonocaptor.
 - Consulte "Equilibrio y fuerza de seguimiento del brazo fonocaptor" a partir de la pág. 6.

Reposición de la correa

- La correa es un consumible. Cambie la correa si se ralentiza la velocidad de reproducción o se produce una rotación irregular. Por regla general, se recomienda cambiar la correa una vez al año.
- Antes de cambiar la correa, desconecte el enchufe del cable de alimentación del producto de la toma de corriente.

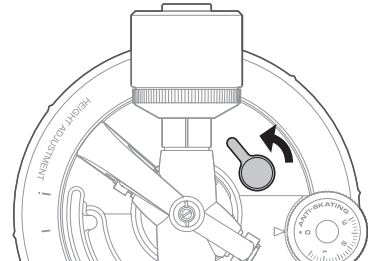
1. Retire la correa antigua.
2. Coloque la correa nueva en el plato primero y luego en la polea del motor.
 - Cuando coloque la correa en el polea del motor, asegúrese de que no se doble.



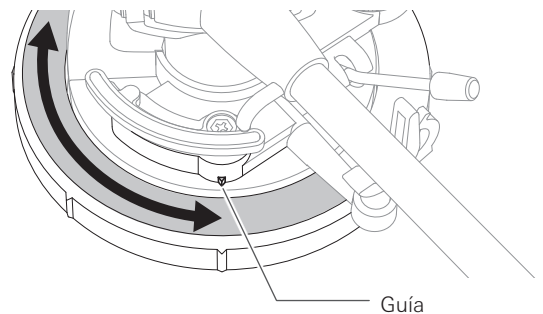
Ajuste de la altura del brazo fonocaptor

Si va a instalar una cápsula distinta de la suministrada, debe mantener una distancia adecuada entre la cápsula y la superficie del disco. Coloque la aguja sobre el disco y compruebe que el brazo fonocaptor está paralelo a la superficie del disco. Si no está paralelo, ajuste la altura del brazo fonocaptor.

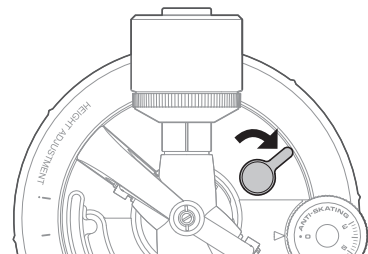
1. Gire la palanca de ajuste en altura del brazo fonocaptor para aflojar el anclaje del brazo fonocaptor.



2. Gire la esfera de ajuste en altura del brazo fonocaptor y ajuste la altura del brazo fonocaptor.



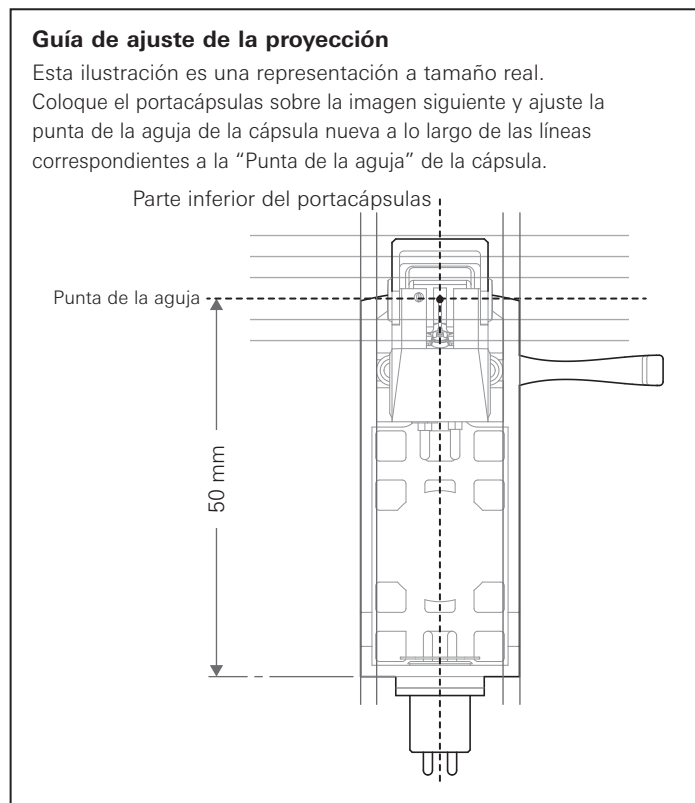
3. Una vez realizados los ajustes, gire la palanca de ajuste en altura del brazo fonocaptor para ajustar el brazo fonocaptor.



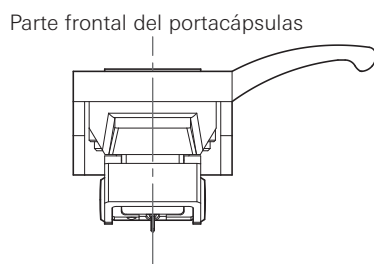
Ajuste de la proyección

La posición de la cápsula se debe determinar con precisión (ajuste de la proyección) al instalar una cápsula o un portacápsulas distinto del suministrado.

1. Instale la cápsula de forma que quede paralela al portacápsulas.
 - Coloque la cápsula y el portacápsulas sobre la figura siguiente haciendo coincidir las posiciones, e instale la cápsula de modo que quede paralela al portacápsulas.



2. Instale la cápsula para que sea perpendicular a la parte superior del portacápsulas.



Traslado del giradiscos

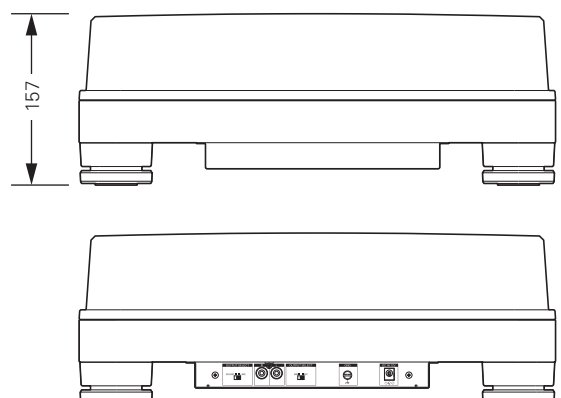
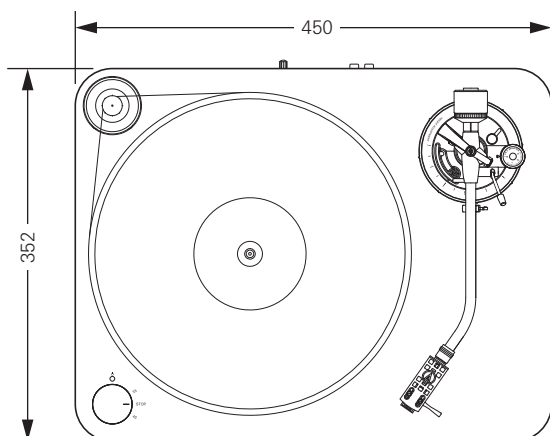
Utilizando el material de embalaje original del producto, envuelva el giradiscos en orden inverso al proceso de desembalaje. Si no dispone del material de embalaje, realice las siguientes acciones:

- Una vez desconectado el enchufe del cable de alimentación de la toma de corriente, retire el plato y envuélvalo para evitar que sufra daños. Si el producto se retira mientras el plato aún está encajado, puede que el eje resulte dañado.
- Asegure el brazo fonocaptor con la abrazadera.
- Retire el contrapeso.
- Retire el portacápsulas del brazo fonocaptor con el protector de la cápsula bajado y, a continuación, envuelva el conjunto completo del portacápsulas para evitar que sufra daños.
- Envuelva el cuerpo del giradiscos en papel o en un paño suave para evitar que sufra daños.

Solución de problemas

Problema	Solución
El plato no gira.	<ul style="list-style-type: none"> • ¿Está el adaptador de CA conectado a la toma de corriente? Conecte el adaptador de CA a la toma de corriente. • ¿Se ha salido el enchufe del adaptador de CA? Compruebe si el enchufe está correctamente acoplado al adaptador de CA. • ¿Se ha soltado la correa del plato? Coloque la correa correctamente en el plato. • ¿Está colocada la correa en la polea del motor? Compruebe que la correa esté colocada correctamente en la polea del motor. • ¿Está dañada la correa? Cámbiela por una correa nueva.
El plato gira, pero no hay sonido o el volumen no es lo suficientemente alto.	<ul style="list-style-type: none"> • ¿Se han seleccionado correctamente los ajustes de función y la entrada para el equipo conectado (amplificador, etc.)? Compruebe si los ajustes para el equipo conectado son correctos. • ¿Está dañada la aguja? Compruebe la aguja y cámbiela si fuese necesario. • ¿Está la aguja correctamente colocada en el cuerpo de la cápsula? Compruebe la cápsula y realice los ajustes necesarios. • ¿Son correctas las posiciones de ajuste del interruptor selector de preamplificador? Compruebe que los ajustes de preamplificador son correctos, teniendo en cuenta los siguientes problemas habituales y sus causas: <ul style="list-style-type: none"> - Si no hay sonido, o si el volumen no es lo suficientemente alto, es que el producto está ajustado en la posición "PHONO" y conectado a la entrada AUX/LINE del amplificador. - Si el volumen es excesivamente alto o está distorsionado, es que el producto está ajustado en la posición "LINE" y está conectado a la entrada PHONO del amplificador. • ¿Está la fuerza de seguimiento ajustada muy fuerte? Ajuste la fuerza de seguimiento.
La aguja da saltos.	<ul style="list-style-type: none"> • ¿Está la fuerza de seguimiento ajustada muy floja? Ajuste la fuerza de seguimiento. • ¿Está el "anti-skate", o compensación de la fuerza lateral, mal ajustado? Compruebe que está ajustado en el mismo valor que la fuerza de seguimiento de la cápsula. • ¿Está el disco deformado? Compruebe el disco. • ¿Está el disco arañado? Compruebe el disco.
Se produce un aullido.	<ul style="list-style-type: none"> • ¿Está recogiendo el producto demasiadas vibraciones del suelo, paredes o altavoces cercanos? Reduzca las vibraciones o instale el producto sobre una superficie que no esté sometida a los efectos de las vibraciones. • ¿Está el producto instalado sobre una superficie inestable? Compruebe si la superficie donde se encuentra instalado el producto es inestable.
Se produce ruido durante la reproducción del disco.	<ul style="list-style-type: none"> • ¿Hay polvo en la punta de la aguja de la cápsula? Si hay polvo adherido a la punta de la aguja, límpielo con un cepillo común.
El sonido durante la reproducción del disco es demasiado rápido o demasiado lento.	<ul style="list-style-type: none"> • ¿Está la velocidad bien ajustada para el producto? Utilice el mando de control para seleccionar la velocidad correspondiente al tipo de disco que se esté reproduciendo.
La velocidad de reproducción se ralentiza o la rotación es irregular.	<ul style="list-style-type: none"> • ¿Está la correa floja? Cámbiela por una correa nueva.
Se oye un zumbido durante la reproducción.	<ul style="list-style-type: none"> • ¿Está la línea de toma de tierra conectada correctamente? Compruebe que la línea de toma de tierra está bien conectada. • ¿Está el portacápsulas acoplado firmemente al brazo fonocaptor? Compruebe que el anillo de bloqueo esté apretado.

Dimensiones



(Unidad: mm)

Especificaciones

Especificaciones del giradiscos

Tipo	Giradiscos manual de transmisión por correa
Motor	Motor CC
Método de control	Transmisión por correa
Velocidades	33-1/3 rpm, 45 rpm
Plato del giradiscos	POM (polioximetileno)
Ululación y vibración	< 0,08 % WRMS (33 RPM) a 3 kHz
Relación señal/ruido	> 60 dB
Niveles de salida	
“PHONO”	4,5 mV nominal a 1 kHz, 5 cm/seg
“LINE (MM)”	280 mV nominal a 1 kHz, 5 cm/seg
Ganancia del preamplificador fono (MM)	36 dB nominal, ecualización RIAA
Ganancia del preamplificador fono (MC)	56 dB nominal, ecualización RIAA

Especificaciones del brazo fonocaptor

Tipo	Brazo fonocaptor en forma de J con equilibrio estático
Longitud efectiva	247 mm
Proyección	17 mm
Ángulo de error de seguimiento máximo	Menos de 2,5°
Rango de ajuste de presión de la aguja	De 0 a 2,5 g
Rango de peso aplicable a la cápsula (incluido el portacápsulas)	De 15 a 20 g

Especificaciones de la cápsula y el portacápsulas

Modelo de cápsula	VM520EB
Tipo de cápsula	Doble imán VM
Impedancia de carga recomendada	47.000 ohmios
Voltaje de salida	4,5 mV (mV a 1 kHz, 5 cm/seg)
Aguja	Aguja elíptica de 0,3 × 0,7 mil
Cantilever	Tubo de aluminio
Rango de fuerza de seguimiento	De 1,8 a 2,2 g (estándar 2,0 g)
Peso de la cápsula	6,4 g
Modelo de portacápsulas	AT-HS10
Peso del portacápsulas	10 g (cables excluidos)
Ajuste de la proyección del portacápsulas	± 5 mm

Especificaciones generales

Requisitos de alimentación	De 100 a 240 V, 50/60 Hz, 0,6 A máx.
Consumo de energía	5,5 W
Adaptador de CA	12 V, 2 A
Dimensiones	450 mm × 352 mm × 157 mm (An × Fn × Al)
Peso	8,3 kg (sin cubierta antipolvo)
Accesorios incluidos	Cubierta antipolvo, Plato, Correa de transmisión, Contrapeso, Portacápsulas (AT-HS10) con cápsula estéreo VM (VM520EB), Adaptador de 45 RPM, Cable de audio RCA (1,4 m aprox.), Adaptador de CA (1,3 m aprox.) (AD-SE1220KZ)
Aguja de repuesto (se vende por separado)	VMN20EB
Portacápsulas de repuesto (se vende por separado)	AT-HS10
Correa de repuesto (se vende por separado)	Correa exclusiva AT-LP7

Especificaciones sujetas a cambio sin previo aviso debido a mejoras.

Introdução

Obrigado por comprar este produto da Audio-Technica.

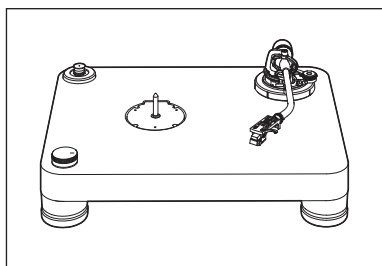
Antes de usar o produto, leia este manual do usuário para garantir que você usa o produto corretamente. Guarde este manual para referência futura.

Este produto só pode ser usado nos países em que é vendido. Certifique-se de que a tensão de operação e o plugue do adaptador CA do produto seja a correta para o país em que você mora.

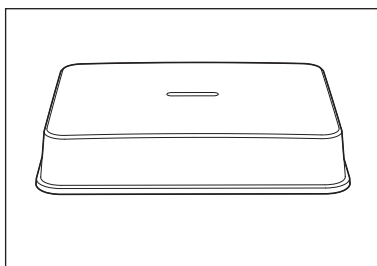
Conteúdo da embalagem

Certifique-se de que você tenha todos os itens incluídos indicados abaixo antes de usar este produto.

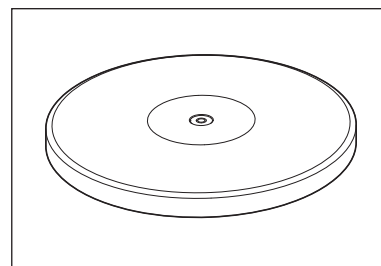
Se alguns itens estiverem faltando ou danificados, entre em contato com o revendedor local da Audio-Technica.



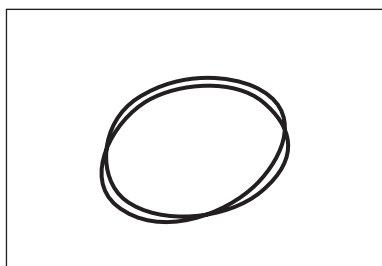
• Corpo do toca-discos



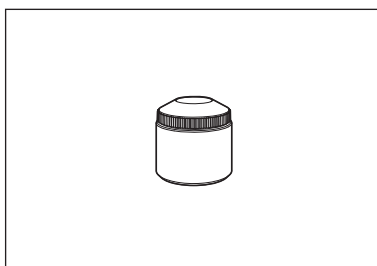
• Proteção contra pó



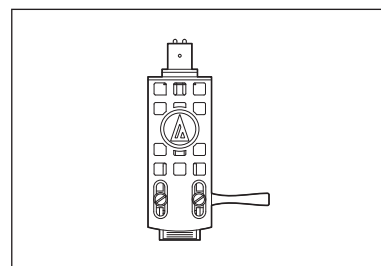
• Prato



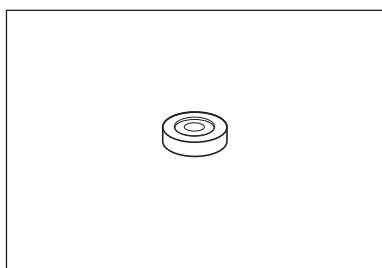
• Correia de transmissão



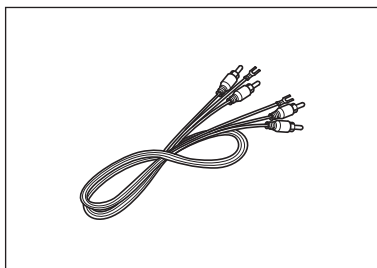
• Contrapeso



• Cabeça (AT-HS10) com cápsula estéreo VM (VM520EB)



• Adaptador de 45 RPM



• Cabo de áudio RCA (Aprox. 1,4 m)

• Adaptador CA (Aprox. 1,3 m)
A tomada do adaptador CA pode ser removida.

• Manual do Usuário (este manual)

Depois da compra, é aconselhável que você guarde todos os materiais da embalagem para armazenamento, transporte ou envio futuro.

Precauções de segurança

Informações importantes

Advertência:

Para evitar o perigo de incêndio ou choque elétrico, não exponha a unidade a chuva ou umidade.

Advertência:

Não exponha este aparelho a gotejamento ou respingos.

Para evitar a ocorrência de um choque elétrico, não abra a caixa.

Todos os reparos devem ser realizados por pessoal qualificado.

Não exponha este aparelho a calor excessivo, como luz solar, fogo etc.

Não sujeite este aparelho a impactos fortes.

O aparelho deve estar suficientemente perto da tomada de CA para que seja possível desligar facilmente o adaptador CA em qualquer momento.

Em caso de emergência, desconecte rapidamente o adaptador CA.

Não coloque objetos cheios de líquidos, como jarras, em cima do aparelho.

Para evitar perigo de incêndio, não coloque nenhuma fonte de chama livre (p. ex., velas acesas) sobre o aparelho.

Não instale este aparelho em um espaço reduzido, como uma estante ou algo semelhante.

Para instalar este aparelho, escolha um local bem ventilado.

Observações sobre o uso

Corpo do toca-discos

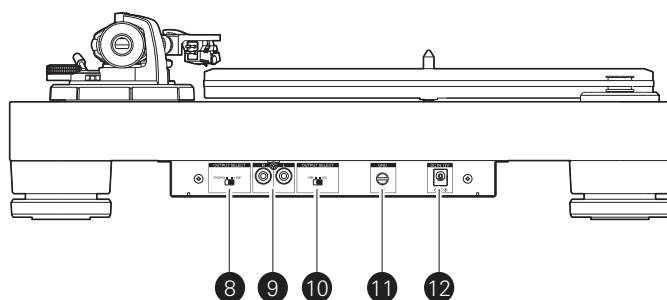
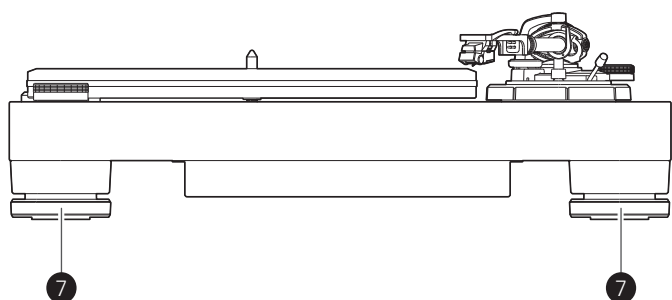
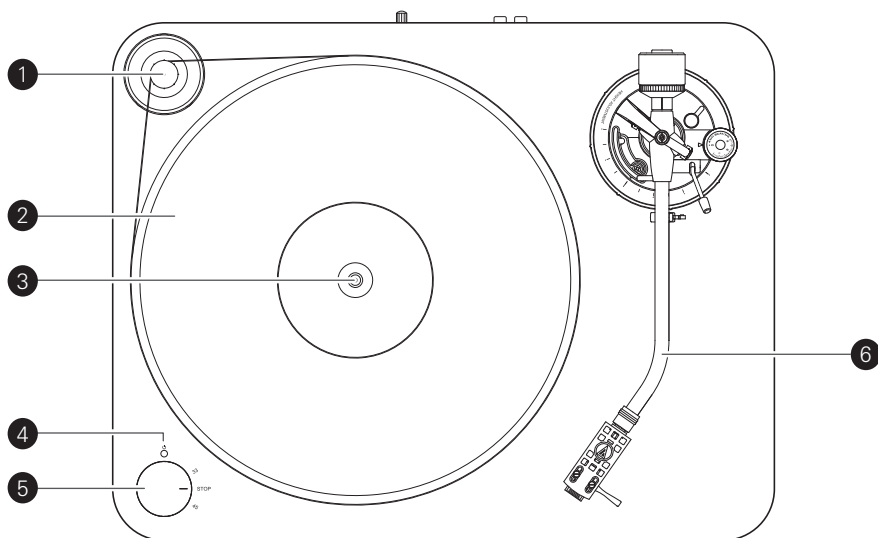
- Não coloque nem use o produto em locais que sejam muito quentes, úmidos ou sujos, ou onde fique exposto a vibrações fortes.
- O produto deve ser colocado sobre uma superfície plana e nivelada.

Cápsula

- Baixe o protetor para proteger a agulha quando o produto não estiver sendo usado.
- Não toque na agulha da cápsula com o dedo.
- Evite bater a agulha da cápsula no prato do toca-discos ou na beirada do disco.

Nome e função das peças

Diagrama geral



1 Polia do motor

2 Prato

3 Eixo

4 Indicador [Ligado/Desligado]

5 Botão de controle

Use para iniciar e parar, bem como para selecionar a velocidade do disco.

6 Braço reprodutor

Para ver detalhes, consulte "Braço reprodutor" na página 4.

7 Pés

Ajuste o nivelamento do produto.

8 Interruptor do seletor do pré-amplificador

Ao conectar a um amplificador com conector de entrada PHONO, coloque este interruptor na posição PHONO. Ao conectar ao conector AUX de um amplificador, coloque este interruptor na posição LINE.

9 Terminais de saída estéreo

Conecte o cabo de áudio RCA. Conecte-o ao conector de entrada PHONO ou de linha do amplificador. O terminal vermelho é o canal direito e o terminal branco é o canal esquerdo.

10 Interruptor do seletor da cápsula MM (VM)/MC

Se estiver usando uma cápsula MM (VM), coloque este interruptor na posição MM. Se estiver usando uma cápsula MC, coloque este interruptor na posição MC.

11 Terminal de aterramento

Conecte o terminal de aterramento do amplificador com este terminal usando a linha de aterramento do cabo de áudio RCA.

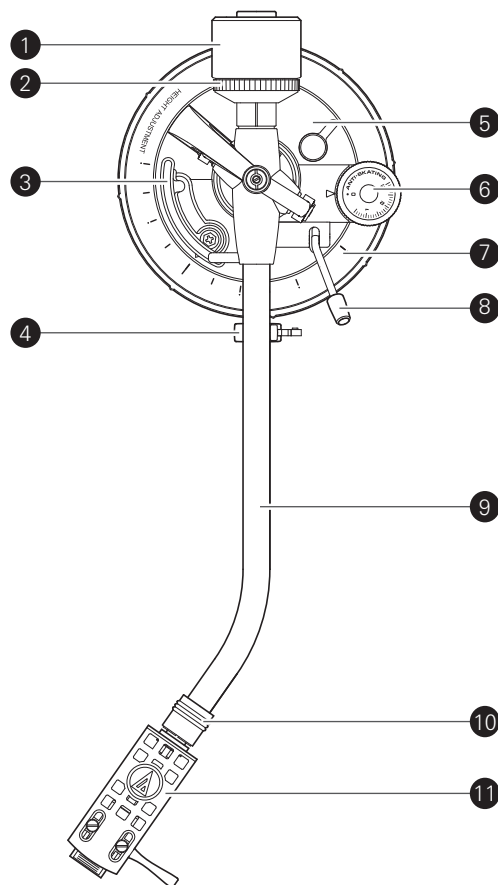
12 Conector de alimentação

Conecte o adaptador CA.

Nome e função das peças

Braço reproduzidor

- 1** Contrapeso
Equilibra o braço e ajusta a força de rastreamento para um valor adequado.
- 2** Anel de ajuste da força de rastreamento
Use para ajustar a força de rastreamento.
- 3** Elevação do braço
Move o braço verticalmente de e para a face do disco.
- 4** Apoio do braço reproduzidor com presilha
Use a presilha para prender o braço reproduzidor para que ele não se mova.
- 5** Alavanca de ajuste da altura do braço reproduzidor
- 6** Ajuste da força antipatinagem
Quando um disco está sendo reproduzido, uma força age sobre a ponta da agulha puxando-a para dentro. Esta força pode ser compensada ajustando os mesmos valores para a força antipatinagem e a força de rastreamento.
- 7** Botão de ajuste da altura do braço reproduzidor
Use o botão para ajustar a altura do braço reproduzidor.
- 8** Alavanca de controle da elevação do braço
Opera a elevação do braço.
- 9** Braço reproduzidor
- 10** Anel de bloqueio
Gire o anel para a esquerda (sentido anti-horário) para fixar a cabeça. Para remover a cabeça, gire o anel para a direita.
- 11** Cabeça e cápsula
A cápsula (VM520EB) é montada na cabeça (AT-HS10).



Preparação para uso

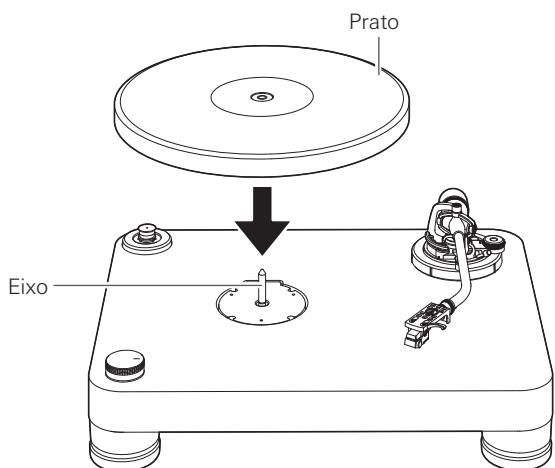
Colocação do prato

Este produto necessita de montagem antes de ser usado pela primeira vez.

Não ligue o adaptador CA até a montagem estar concluída.

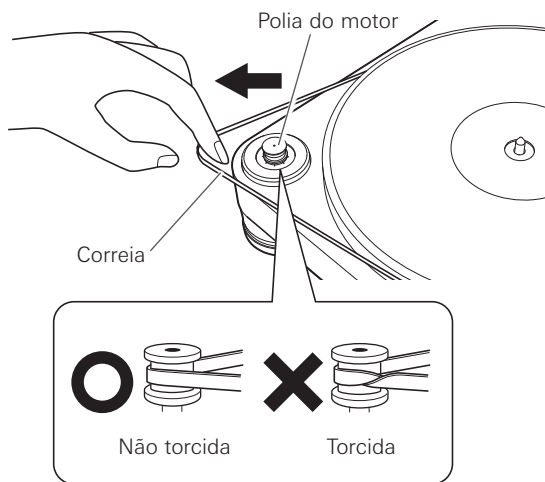
1. Instale o prato no eixo.

- Para evitar danificar a agulha ao assentar o prato, alinhe as posições do eixo e do orifício do prato e assente o prato lentamente.
- Certifique-se de que o prato esteja bem encaixado no eixo.



2. Prenda a correia primeiro no prato e, em seguida, à polia do motor.

- Certifique que o cinto não está torcido.



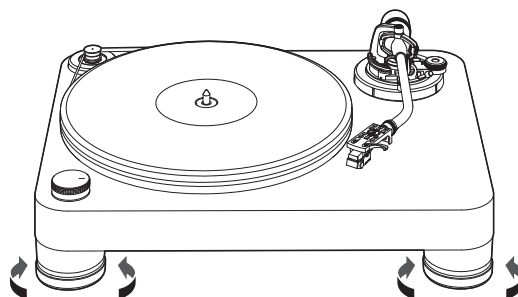
Instalação do toca-discos

- Posicione o produto sobre uma superfície nivelada.
- Para evitar os efeitos de vibrações e pressão acústica, não instale o produto perto de alto-falantes.
- O produto poderá captar estática se for instalado perto de um rádio. Por isso, tente manter o produto afastado de rádios.
- O produto poderá captar ruídos se estiver perto de equipamentos (telefones celulares etc.) que emitam ondas de rádio intensas.

Nivelando o toca-discos

1. Depois de posicionar o produto onde você deseja usá-lo, ajuste os pés para que o produto fique nivelado.

- Use um nivelador (vendido separadamente) conforme necessário para assegurar o nivelamento do produto.



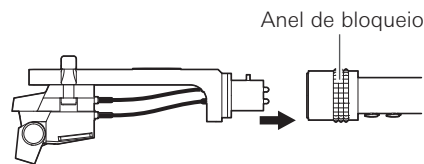
Montar o braço

1. No momento da entrega, remova a braçadeira para cabo usada para fixar o braço.

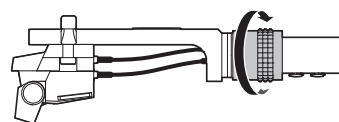
- Use a presilha para prender o braço temporariamente no suporte.

2. Insira a cabeça no braço reproduzidor.

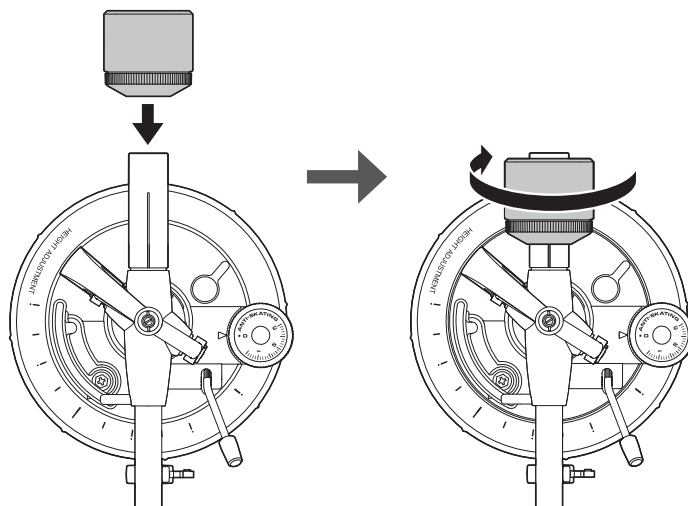
- Segure as bordas direita e esquerda da cabeça para não danificar a agulha nem cortar os fios da cápsula.



3. Depois de inserir a cabeça, gire o anel de bloqueio no sentido anti-horário (para a esquerda).



4. Com o anel de ajuste da força de rastreamento voltado para a frente, instale o contrapeso na parte traseira do braço e gire-o lentamente no sentido anti-horário (para a esquerda).



Preparação para uso

Equilíbrio do braço e força de rastreamento

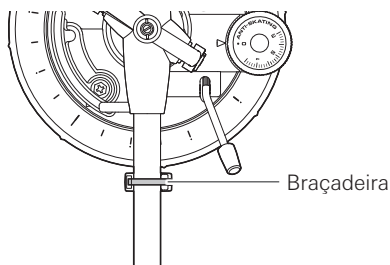
Para que a cápsula capte o som corretamente das ranhuras do disco, o equilíbrio do braço e a força de rastreamento têm de ser ajustadas de acordo com as especificações da cápsula. Se o equilíbrio do braço e a força de rastreamento não forem ajustados corretamente, o disco ou a agulha da cápsula podem sofrer danos.

- Não arraste a agulha da cápsula através do disco ou do prato ao ajustar o equilíbrio do braço ou a força de rastreamento. Isso poderá danificar a agulha.

Ajuste do equilíbrio do braço

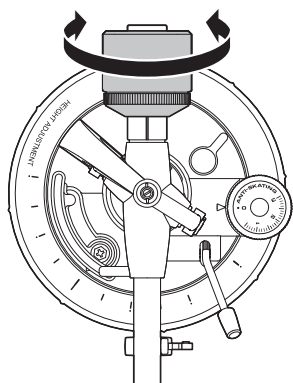
1. Enquanto segura a cabeça para que não mova o braço, remova a braçadeira.

- O braço está inclinado porque o equilíbrio ainda precisa ser ajustado.

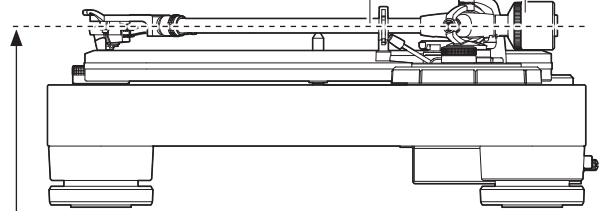


2. Enquanto segura com cuidado a cabeça, gire o contrapeso para ajustar o equilíbrio do braço.

- Ajuste o equilíbrio de modo que o braço fique nivelado quando você libertar a cabeça.



Braço reproduzidor Contrapeso



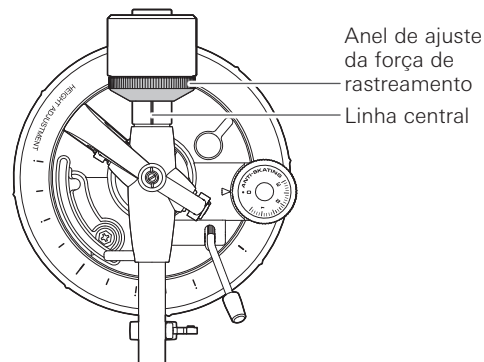
Ajuste para que o braço fique nivelado

3. Recoloque o braço no suporte.

Ajuste da força de rastreamento

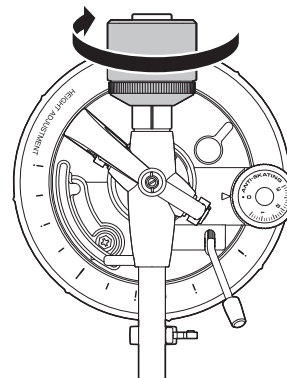
1. Enquanto apoia o contrapeso para que não se mova, gire o anel de ajuste da força de rastreamento para que a posição "0" fique alinhada com a linha central na parte traseira do braço.

- A força de rastreamento não é ajustada apenas girando o anel de ajuste da força de rastreamento.



2. Gire o contrapeso e o anel de ajuste da força de rastreamento juntamente no sentido anti-horário (para a esquerda) até que o valor na linha central seja igual ao valor da força de rastreamento recomendada para a cápsula que você está usando.

- Consulte as especificações do fabricante da cápsula para ver o valor para a força de rastreamento recomendada.
- A força de rastreamento para a cápsula fornecida com este produto é de 2,0 g.

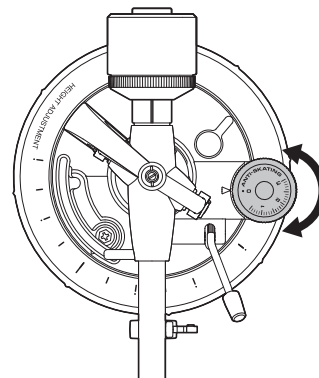


Ajuste da força antipatinagem

Quando um disco está sendo reproduzido, uma força age sobre a ponta da agulha puxando-a para dentro. Esta força pode ser compensada ajustando os mesmos valores para a força antipatinagem e a força de rastreamento.

1. Ajuste a roda de controle da força antipatinagem para o mesmo valor da força de rastreamento.

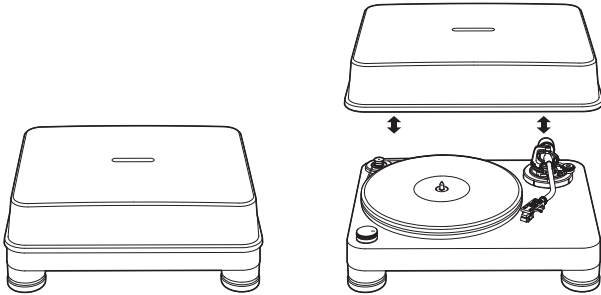
- A força de rastreamento para a cápsula fornecida com este produto é de 2,0 g.



Preparação para uso

Instalação/remoção da proteção contra pó

- A tampa contra poeira é projetada para proteger os componentes sensíveis do produto quando o produto não está em uso. Deve permanecer fora quando os discos estão tocando.
- Usar a capa contra poeira durante a reprodução pode resultar em ano ao disco ou degradação do som.
- Ao colocar ou tirar a proteção contra pó, faça isso devagar.



Ajuste do interruptor do seletor da cápsula MM (VM)/MC

Se estiver usando uma cápsula de ímã móvel (MM ou VM), coloque este interruptor na posição MM. Se estiver usando uma cápsula de bobina móvel (MC), coloque este interruptor na posição MC.

- Este interruptor está colocado na posição MM no momento da compra. Como a cápsula (VM520EB) inclusa no produto é uma estéreo VM, mantenha a chave na posição MM enquanto você continuar a usar a cápsula.

Ajuste do interruptor do seletor do pré-amplificador

Este produto tem uma função de equalização para "phono" incorporada. Você pode usar o produto, mesmo que você não tenha um amplificador para "phono" ou equipamento com entrada "phono" embutida, podendo ligá-lo em uma caixa de som ativa etc.

Use o interruptor do seletor do pré-amplificador para definir a saída, como mostrado abaixo.

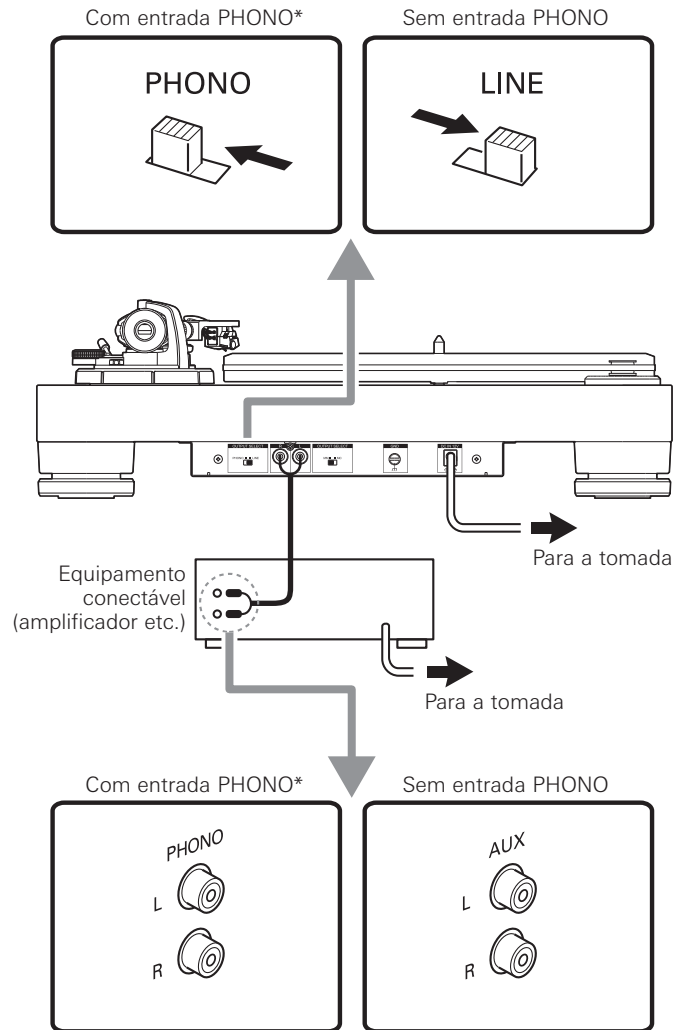
Usando um equipamento conectável	Posição do interruptor do seletor do pré-amplificador	Onde conectar o cabo de áudio RCA
Dispositivo com entrada de áudio	PHONO	Conector de entrada "phono" e terminal de aterramento do equipamento conectável
Dispositivo sem entrada de áudio	LINE	Conector AUX ou de linha do equipamento conectável
Placa de som para PC	LINE	Conector de entrada de linha da placa de som*

* Pode ser necessário um adaptador de áudio (vendido separadamente) para conectar o cabo de áudio RCA ao conector de entrada de linha da placa de som.

Conexão com equipamentos conectáveis (caixas de som ativas, amplificadores etc.)

Selecione a posição correta para o interruptor do seletor do pré-amplificador e conecte o cabo de áudio RCA a um conector de entrada que seja compatível com o equipamento conectável que você está usando (amplificador, receptor, caixas de som ativas, placa de som, etc.).

- O conector vermelho do cabo de áudio RCA é para o canal direito (R), e o conector branco é para o canal esquerdo (L).



* Dependendo do equipamento que você está conectando, poderá existir um terminal de aterramento perto do conector de entrada de áudio. Nesse caso, conecte-o usando a linha de aterramento do cabo de áudio RCA. Isso ajudará a evitar um zumbido de baixa frequência que poderia ser ouvido durante a reprodução do disco.

Conexão do adaptador CA

Este produto não tem um interruptor de alimentação. Uma corrente de espera está sempre presente no produto, mesmo quando ele não está sendo usado; desconecte o adaptador CA da tomada se você não usará o produto durante um longo período de tempo.

1. Conecte o cabo do adaptador CA à entrada CA.
2. Conecte o adaptador CA em uma tomada.

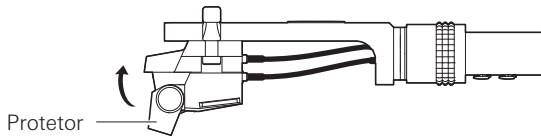
- Certifique-se de que o botão de controle esteja na posição "PARAR".
- Se você tocar um disco imediatamente depois de ligar o adaptador CA em uma tomada, o som reproduzido poderá estar distorcido. Aguarde um pouco (cerca de 30 segundos) depois de ligar o adaptador CA na tomada antes de tocar um disco.

Reproduzir um disco

Antes de reproduzir um disco

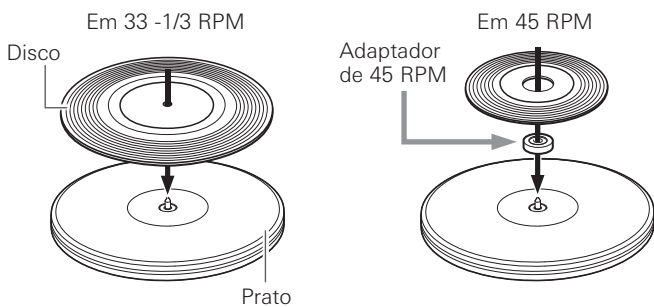
1. Retorne o protetor da cápsula à posição original para cima.

- Se o braço estiver preso ao suporte, remova a braçadeira.



2. Coloque um disco no prato, alinhando o orifício central com o eixo.

- Se desejar ouvir um disco de 45 RPM, instale o adaptador de 45 RPM (veja o diagrama do lado direito abaixo).



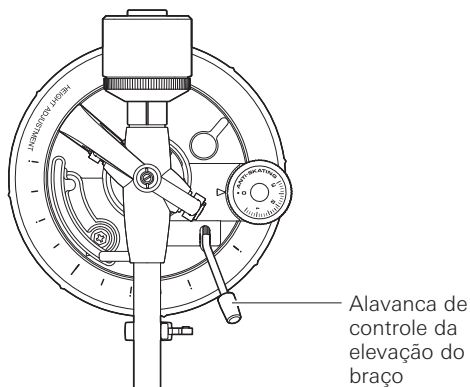
Reproduzir um disco

Baixe suficientemente o volume do amplificador, dos alto-falantes etc.

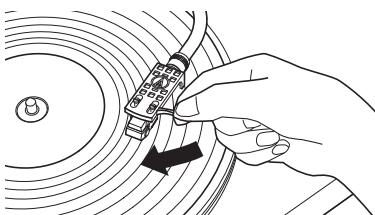
1. Use o botão de controle para selecionar a velocidade.

- Selecione "33" para um disco de 33-1/3 RPM ou "45" para um disco de 45 RPM.
- O prato começa a girar.

2. Levante o braço elevando a alavanca de controle de elevação do braço para a posição UP.



3. Posicione o braço sobre o local pretendido (ranhura) no disco.



4. Baixe o braço movendo a alavanca de controle de elevação do braço para a posição DOWN. O braço desce lentamente para o disco e inicia a reprodução.

- Alternativamente, você pode ignorar os passos 2 a 4 e usar os dedos para erguer a cabeça, mover o braço para o local desejado no disco e abaixar a cabeça para começar a reproduzir o disco.
- Não deixe o produto exposto a impactos durante a reprodução.

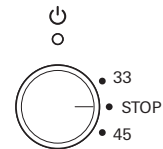
Fazer uma pausa na reprodução do disco

1. Depois de baixar o volume do amplificador, dos alto-falantes, etc. suficientemente, eleve o braço com a alavanca de controle de elevação do braço.

Parar o disco

1. Baixe suficientemente o volume do amplificador, dos alto-falantes etc.
2. Levante a alavanca de controle de elevação do braço, recoloca o braço no suporte e prenda-o com a braçadeira.
3. Gire o botão de controle para a posição "PARAR".

- O prato reduz a velocidade até que a rotação pare.



4. Remova o disco depois que o prato parar totalmente.

- Para evitar que o disco seja riscado ou deformado, remova-o do prato depois de usado.
- Não use nenhum outro prato que não seja o fornecido.
- Este produto não se destina a DJs. Não toque no disco nem no prato enquanto o disco estiver sendo reproduzido.

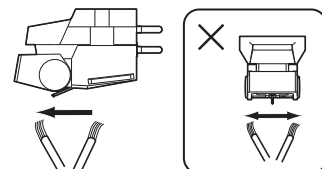
Cuidados

Corpo do toca-discos

- Se o corpo do toca-discos estiver sujo ou com poeira, desconecte primeiro o conector do cabo de alimentação e limpe a sujeira ou poeira com um pano macio e seco.
- Não use benzeno, solventes etc.
- Quando armazenar o produto durante um período de tempo prolongado, desconecte o conector de alimentação da tomada e embulhe o equipamento em plástico para evitar que fique úmido.

Ponta da agulha

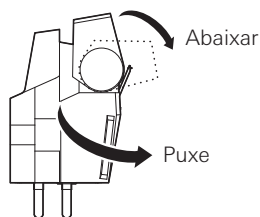
- Se poeira ou resíduos aderirem à ponta da agulha, limpe-a com uma escova especial vendida no comércio.
- Recomendamos que você use um produto para limpar a agulha (vendido separadamente) se a ponta estiver muito suja. Limpe a ponta da agulha movendo a escova da parte de trás para a frente da ponta da agulha.



Substituir a agulha

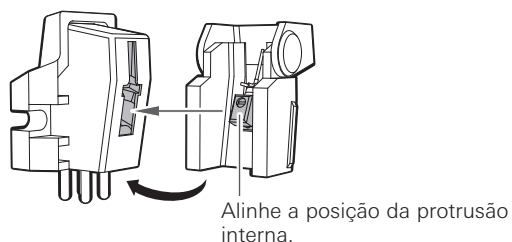
Remover a agulha

- Além da deterioração da qualidade do som, os discos também podem ser danificados à medida que a ponta da agulha da cápsula se desgasta.
 - Como regra geral, substitua a agulha após 300 horas de uso.
 - Certifique-se de desconectar o conector do cabo de alimentação do produto da tomada.
1. Solte a cabeça do braço.
 - Prenda o braço com a braçadeira e remova a cabeça com cuidado.
 2. Depois de baixar o protetor da cápsula, remova a agulha puxando-a na direção da seta.



Instalar uma nova agulha de substituição

1. Instale a nova agulha de substituição na cápsula.

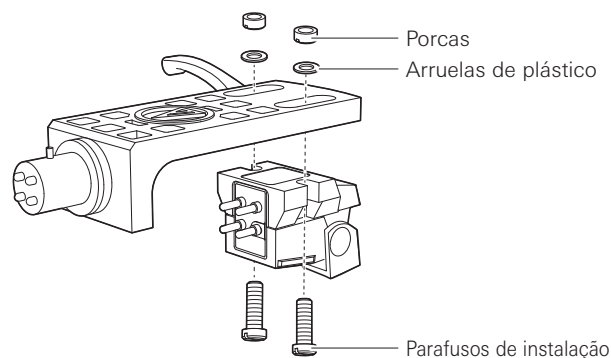


2. Instale a cabeça no braço.

Substituir uma cápsula

Consulte o manual de usuário da cápsula que você usará se estiver substituindo a cápsula (VM520EB) incluída com este produto por outra cápsula disponível comercialmente. Depois de substituir a cápsula antiga por uma nova, é preciso reajustar a saliência, o equilíbrio e a força de rastreamento do braço.

1. Solte a cabeça do braço.
 - Prenda a braçadeira para segurar o braço e remova a cabeça com cuidado.
2. Remova a agulha da cápsula.
 - Consulte "Remover a agulha" na página 9.
3. Remova as pontas dos terminais.
 - Tenha cuidado para não danificar as pontas dos terminais.
4. Usando uma chave de fenda não metálica, vendida comercialmente, remova os parafusos de instalação e, em seguida, remova a cápsula da cabeça.
5. Consulte o manual de usuário da nova cápsula para ver as instruções de montagem e conectar a ponta do eletrodo.

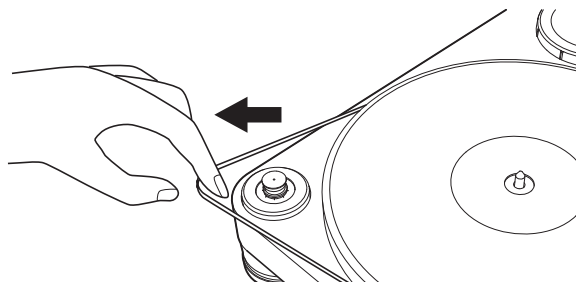


6. Usando uma chave de fenda não metálica, vendida comercialmente, aperte os parafusos em ambos os locais e, em seguida, ajuste a saliência.
 - Consulte "Ajustar a saliência" na página 11.
 - Depois de concluir os ajustes, aperte bem os parafusos.
7. Fixe a cabeça ao braço reproduzidor.
8. Ajuste a altura do braço.
 - Consulte "Ajuste da altura do braço" na página 10 ao fazer os ajustes.
9. Ajuste o equilíbrio do braço e a força de rastreamento.
 - Consulte "Equilíbrio do braço e força de rastreamento" na página 6.

Substituir a correia

- A correia é uma peça consumível. Substitua a correia se a velocidade de reprodução diminuir ou se a rotação for irregular. Como regra geral, sugerimos que a corrente seja substituída todos os anos.
- Antes de substituir a correia, certifique-se de desconectar a tomada do cabo de alimentação do produto da tomada de parede.

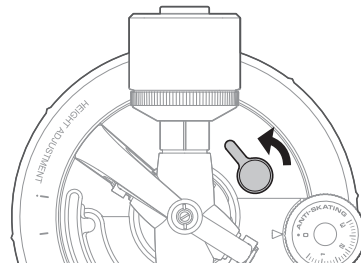
1. Remova a correia antiga.
2. Prenda a nova correia primeiro no prato e, em seguida, à polia do motor.
 - Ao prender a correia na polia do motor, certifique-se de que a correia não fique torcida.



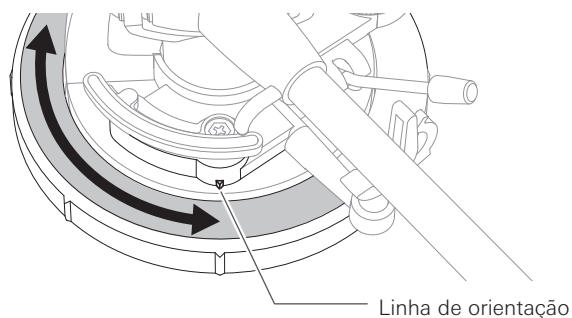
Ajuste da altura do braço

Ao instalar uma cápsula que não seja a fornecida, é preciso manter uma distância adequada entre a cápsula e a superfície do disco. Coloque a agulha sobre o disco e confirme se o braço está paralelo à superfície do disco. Se não estiver paralelo, ajuste a altura do braço.

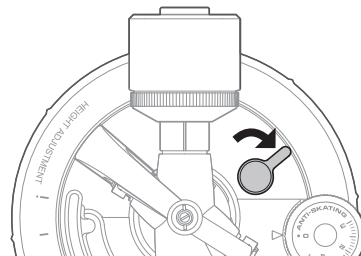
1. Gire a alavanca de ajuste da altura para afrouxar a âncora do braço.



2. Gire o botão de ajuste de altura do braço e ajuste a altura.



3. Depois de concluir os ajustes, gire a alavanca de ajuste da altura do braço para ajustá-lo.

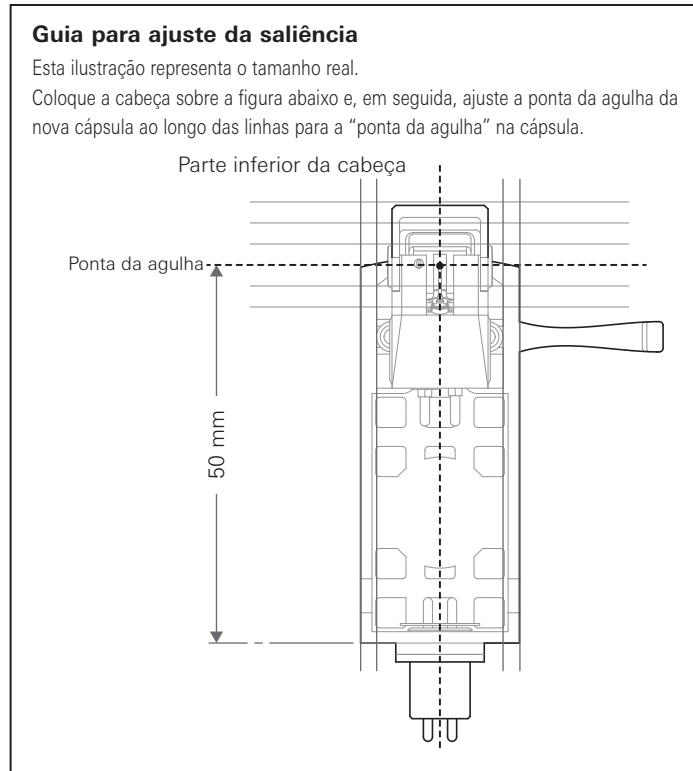


Ajustar a saliência

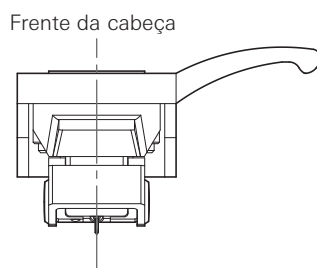
A posição da cápsula deve ser determinada com precisão (ajustando a saliência) ao instalar uma cápsula ou cabeça diferente da fornecida.

1. Instale a cápsula de modo que fique paralela à cabeça.

- Faça coincidir as posições da cápsula e da cabeça com a figura abaixo e instale a cápsula de modo que fique paralela à cabeça.



2. Instale a cápsula de modo que fique perpendicular à cabeça (parte superior da cabeça).



Para mover o toca-discos

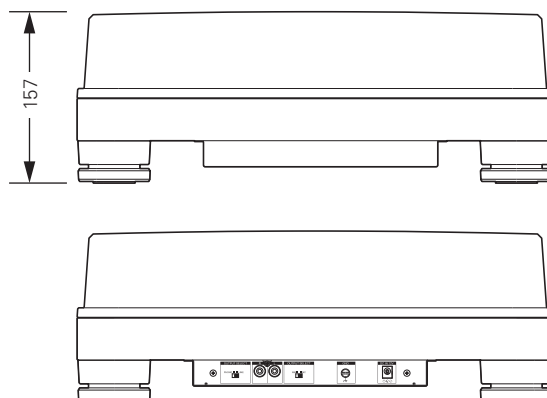
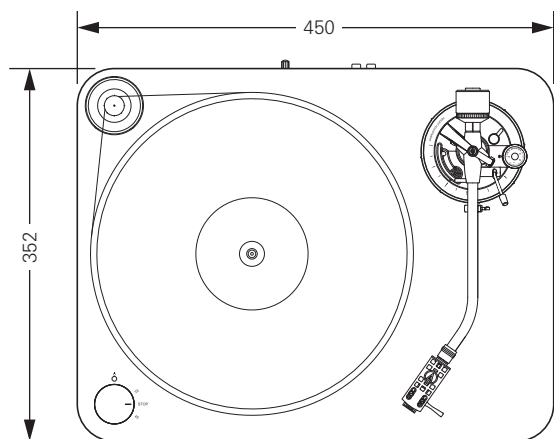
Usando os materiais de embalagem originais do produto, embrulhe o toca-discos na ordem inversa de quando o desembalou. Se não tiver mais os materiais da embalagem, tome as seguintes medidas:

- Depois de desconectar o conector do cabo de alimentação da tomada, remova o prato e embrulhe-o de modo que não sofra danos. Se o produto for movido enquanto o prato ainda estiver assentado, isso poderá danificar o eixo.
- Prenda o braço com a braçadeira.
- Remova o contrapeso.
- Remova a cabeça do braço com o protetor da cápsula baixando e embrulhe todo o conjunto da cabeça para que não sofra danos.
- Embrulhe o corpo do toca-discos com papel ou um pano macio para que não sofra danos.

Resolução de problemas

Problema	Solução
O prato não gira.	<ul style="list-style-type: none">• O adaptador CA está ligado na tomada? Ligue o adaptador CA na tomada.• O conector do adaptador CA saiu? Verifique se o conector está adequadamente conectado ao adaptador CA.• A correia deslizou para fora do prato? Posicione a correia corretamente no prato.• A correia está posicionada na polia do motor? Verifique se a correia está corretamente colocada na polia do motor.• A correia está danificada? Substitua por uma correia nova.
O prato gira, mas não há som ou o volume não é alto o suficiente.	<ul style="list-style-type: none">• As definições das funções e da entrada para o equipamento conectado (amplificador etc.) estão selecionadas corretamente? Verifique se as definições para o equipamento conectado estão corretas.• A agulha está danificada? Verifique a agulha e, se necessário, substitua-a.• A agulha está corretamente colocada no corpo da cápsula? Verifique a cápsula e, se necessário, substitua-a.• As definições do seletor do pré-amplificador estão corretamente selecionadas? Verifique se as definições do pré-amplificador estão corretas, observando os seguintes problemas comuns e suas causas:<ul style="list-style-type: none">- Se não há som ou se o volume não é alto o suficiente, o produto está definido para a posição "PHONO" e ligado à entrada AUX/LINE do amplificador.- Se o volume está alto demais ou distorcido, o produto está definido para a posição "LINE" e conectado à entrada PHONO do amplificador.• A força de rastreamento é pesada demais? Ajuste a força de rastreamento.
A agulha salta.	<ul style="list-style-type: none">• A força de rastreamento é leve demais? Ajuste a força de rastreamento.• A antipatinagem está ajustada incorretamente? Certifique-se de que a antipatinagem esteja definida para o mesmo valor que a força de rastreamento da cápsula.• O disco está empenado? Verifique o disco.• O disco está riscado? Verifique o disco.
Há ressonâncias.	<ul style="list-style-type: none">• O produto está captando vibrações excessivas do chão, paredes ou alto-falantes por perto? Reduza as vibrações ou instale o produto em uma superfície que não esteja sujeita a vibrações.• O produto está instalado em uma superfície instável? Verifique se a superfície na qual o produto está instalado é adequada.
Ouve-se ruído quando o disco está sendo reproduzido.	<ul style="list-style-type: none">• Há poeira na ponta da agulha da cápsula? Se poeira aderiu à ponta da agulha, limpe com uma escova especial vendida no comércio.
Quando o disco está sendo reproduzido, o som é muito rápido ou muito lento.	<ul style="list-style-type: none">• A velocidade selecionada está correta? Use o botão de controle para selecionar a velocidade correta para o tipo de disco que está sendo reproduzido.
A velocidade de rotação do disco diminui ou a rotação é irregular.	<ul style="list-style-type: none">• A correia está muito folgada? Substitua por uma correia nova.
É ouvido um zumbido durante a reprodução do disco.	<ul style="list-style-type: none">• O fio de aterramento está bem conectado? Certifique-se de que o fio de aterramento esteja bem conectado.• A cabeça está bem fixa ao braço? Certifique-se de que o anel de bloqueio esteja bem apertado.

Dimensões



(Unidade: mm)

Especificações

Especificações do toca-discos

Tipo	Toca-discos manual acionado por correia
Motor	Motor CC
Método de tração	Acionado por correia
Velocidades	33-1/3 RPM, 45 RPM
Prato do toca-discos	POM (polioximetileno)
Wow e flutter	< 0,08 % WRMS (33 RPM) a 3 kHz
Relação sinal/ruído	> 60 dB
Níveis de saída "PHONO" "LINE (MM)"	4,5 mV nominal a 1 kHz, 5 cm/s 280 mV nominal a 1 kHz, 5 cm/s
Ganho do pré-amp. phono (MM)	36 dB nominal, RIAA equalizado
Ganho do pré-amp. phono (MC)	56 dB nominal, RIAA equalizado

Especificações do braço

Tipo	Braço reproduzidor em formato de J com equilíbrio estático
Comprimento efetivo	247 mm
Saliência	17 mm
Ângulo máximo de erro de rastreamento	Inferior a 2,5°
Intervalo de ajuste da pressão da agulha	0 a 2,5 g
Intervalo de peso da cápsula aplicável (incluindo a cabeça)	15 a 20 g

Especificações da cabeça e da cápsula

Modelo da cápsula	VM520EB
Tipo de cápsula	Duplo imã VM
Impedância de carga recomendada	47.000 Ohms
Tensão de saída	4,5 mV (mV a 1 kHz, 5 cm/s)
Agulha	Agulha elíptica aderente 0,3 × 0,7 mil
Cantilever	Tubo de alumínio
Intervalo de ajuste da força de rastreamento	1,8 a 2,2 g (padrão 2,0 g)
Peso da cápsula	6,4 g
Modelo da cabeça	AT-HS10
Peso da cabeça	10 g (Exceto cabos guia)
Ajuste da saliência da cabeça	± 5 mm

Especificações gerais

Requisitos da fonte de alimentação	100 a 240 V, 50/60 Hz, 0,6 A Max.
Consumo de energia	5,5 W
Adaptador CA	12 V, 2 A
Dimensões	450 mm × 352 mm × 157 mm (L × P × A)
Peso	8,3 kg (sem capa contra poeira)
Acessórios incluídos	Proteção contra pó, Prato, Correia de transmissão, Contrapeso, Cabeça (AT-HS10) com cápsula estéreo VM (VM520EB), Adaptador 45 RPM, Cabo de áudio RCA (Aprox. 1,4 m), Adaptador CA (Aprox. 1,3 m) (AD-SE1220KZ)
Agulha de substituição (vendida separadamente)	VMN20EB
Cabeça de substituição (vendida separadamente)	AT-HS10
Correia de substituição (vendida separadamente)	Correia exclusiva para o AT-LP7

As especificações estão sujeitas a alteração sem aviso prévio devido a aprimoramentos.

Memo

Series of horizontal dotted lines for writing.

P
T

Введение

Благодарим вас за покупку этого изделия компании Audio-Technica.

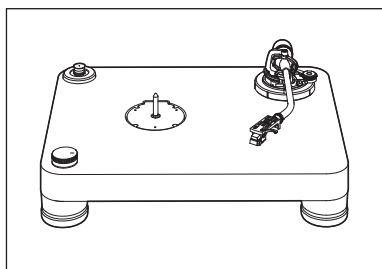
Для правильной эксплуатации изделия перед его использованием полностью прочитайте это руководство пользователя. Сохраните это руководство для использования в будущем.

Данное изделие годится для использования только в тех странах, в которых оно продается. Убедитесь, что рабочее напряжение и вилка выпрямителя переменного тока изделия соответствуют напряжению электросети по месту вашего проживания.

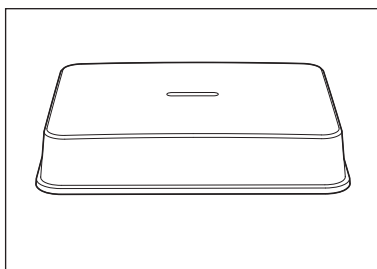
Содержание упаковки

Перед использованием изделия, пожалуйста, проверьте комплектность упаковки.

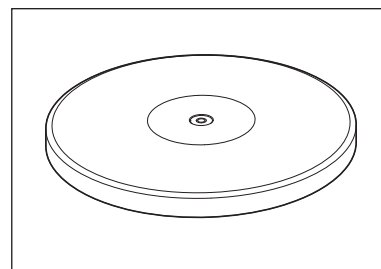
Если какие-либо части отсутствуют или повреждены, обратитесь к местному дистрибьютору Audio-Technica.



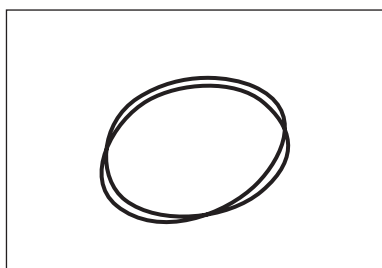
• Корпус проигрывателя



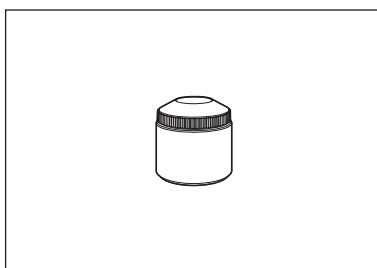
• Пылезащитная крышка



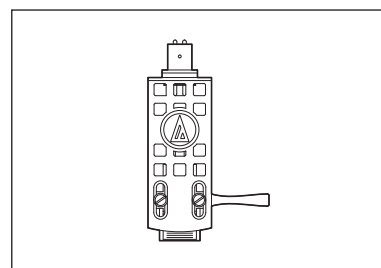
• Диск



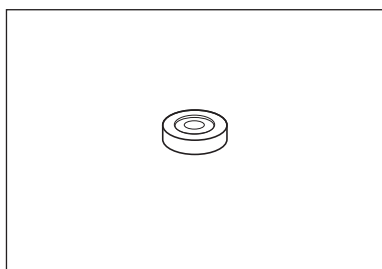
• Приводной ремень



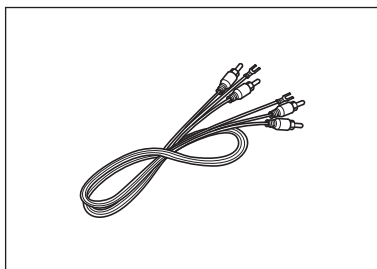
• Противовес



• Держатель головки (AT-HS10) со стереофонической головкой звукоснимателя VM-типа (VM520EB)



• Адаптер на 45 об/мин



• Аудио-кабель RCA (прибл. 1,4 м)

- Выпрямитель переменного тока (прибл. 1,3 м). Вилку выпрямителя можно отключать от устройства.
- Руководство пользователя (настоящее руководство)

Рекомендуется сохранить все части и материалы упаковки, чтобы вы могли ею воспользоваться для хранения изделия, а также при его перемещении или транспортировке.

Меры безопасности

Важная информация

Предупреждение:

Во избежание возгорания или удара электрическим током не допускайте попадания дождя или иной влаги на этот аппарат.

Предостережение:

Не допускайте попадания капель или брызг на аппарат.

Во избежание удара электрическим током не открывайте корпус.

Обслуживание должно осуществляться только квалифицированными специалистами.

Не подвергайте данное устройство воздействию чрезмерного тепла, например, от солнечных лучей, огня и т. п.

Не подвергайте устройство сильным ударам.

Аппарат необходимо установить рядом с электрической розеткой таким образом, чтобы можно было легко выдернуть штепсель выпрямителя.

В случае неисправности выпрямитель переменного тока следует немедленно отключить.

Не ставьте на аппарат емкости, наполненные жидкостью (например, вазы).

Во избежание возгорания не размещайте на аппарате источники открытого огня (например, горящие свечи).

Не устанавливайте аппарат в замкнутом пространстве (например, в книжном шкафу или другом аналогичном месте).

Выбирайте для установки аппарата только места с хорошей вентиляцией.

Изготовитель: Аудио-Техника Лтд.

Адрес предприятия-изготовителя: 194-8666 Токио Мачида Ниси Нарусе 2-46-1

Источник питания: 100—240 В пер. тока 50/60 Гц, 5,5 Вт

EAC

Сделано в Китае

Замечания по использованию

Корпус проигрывателя

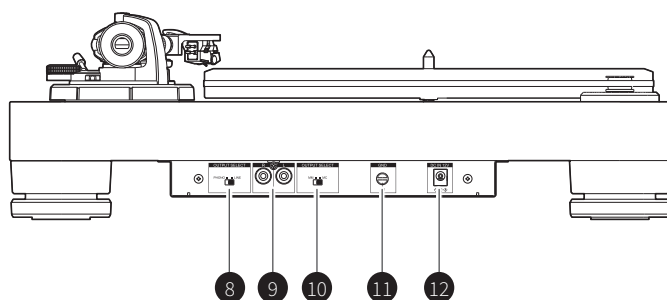
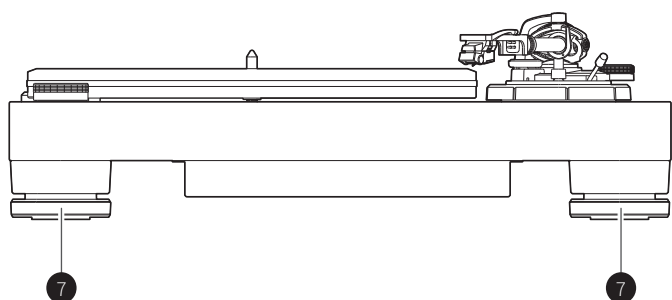
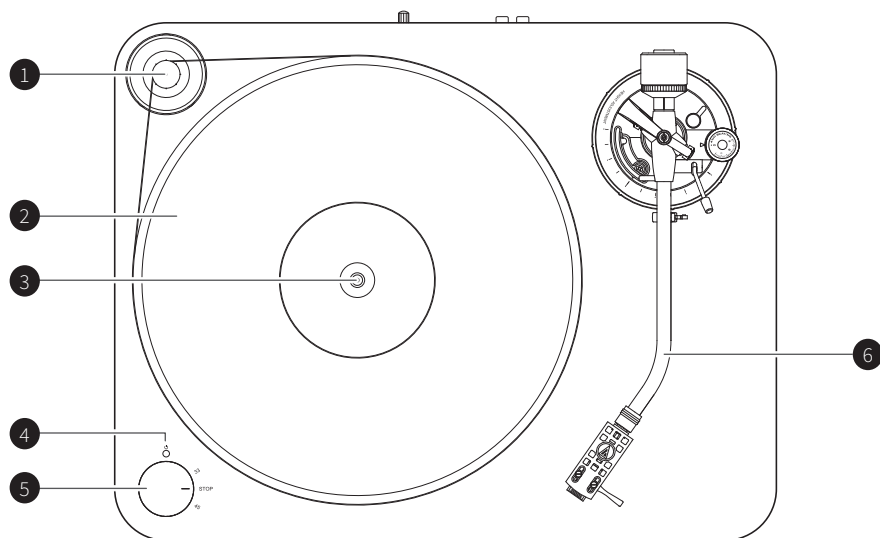
- Не храните и не эксплуатируйте проигрыватель в местах с высокой температурой, высокой влажностью или там, где наблюдается сильная вибрация.
- Проигрыватель следует устанавливать на ровной, горизонтальной поверхности.

Головка звукоснимателя

- Если изделие временно не используется, установите защитный колпачок на головку звукоснимателя.
- Не трогайте иглодержатель пальцами.
- Не допускайте удара звукоснимателя о диск или край грампластинки.

Название и назначение частей

Общий вид



1 Моторный шкив

2 Диск проигрывателя

3 Шпиндель

4 Индикатор питания

5 Ручка управления

Используется для запуска, остановки, а также для регулировки скорости вращения диска.

6 Тонарм

Подробное описание см. в разделе “Тонарм” на стр. 4.

7 Ножки

Служат для регулировки горизонтального положения проигрывателя.

8 Переключатель предусилителя

Для подключения проигрывателя входному разъему PHONO усилителя, установите этот переключатель в положение PHONO. Для подключения проигрывателя к входу AUX (вспомогательный) усилителя, установите этот переключатель в положение LINE.

9 Клеммы стерео-выхода

Подключите аудио-кабель RCA. Подключите его либо ко входному разъему PHONO усилителя или к его линейному входу LINE. Красная клемма соответствует правому каналу, а белая клемма - левому каналу.

10 Переключатель типа головки MM (VM)/MC

При использовании головки звукоснимателя MM (VM) типа, установите этот переключатель в положение MM. При использовании головки звукоснимателя MC типа, установите этот переключатель в положение MC.

11 Клемма заземления (общая)

Подключите клемму заземления (общую) усилителя к этой клемме посредством шины заземления аудио-кабеля RCA.

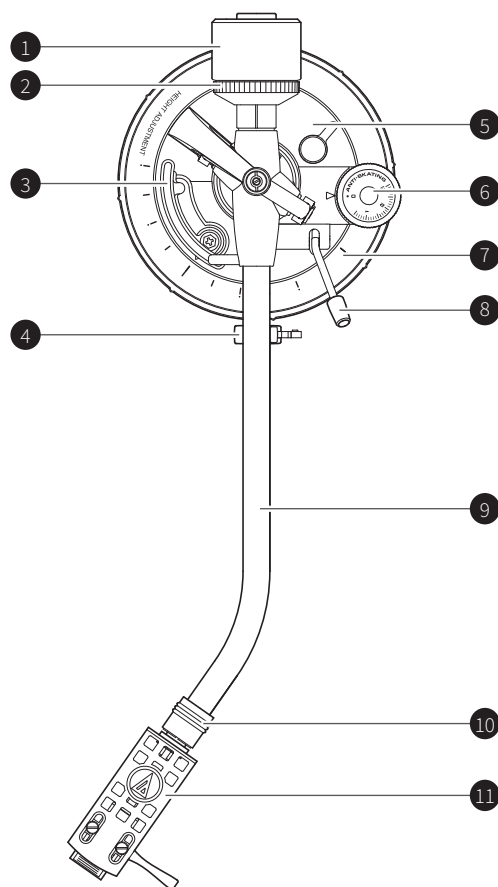
12 Входной штепсель питания

Подключить выпрямитель переменного тока.

Название и назначение частей

Тонарм

- 1 Противовес**
Служит для балансировки тонарма и установки требуемой прижимной силы.
- 2 Регулятор прижимной силы**
Служит для регулировки прижимной силы.
- 3 Механизм опускания/подъема тонарма**
Служит для вертикального перемещения тонарма.
- 4 Фиксация тонарма на держателе**
Держатель используется для фиксации тонарма во избежание его перемещения.
- 5 Рычаг установки высоты тонарма**
- 6 Регулятор противоскачивания**
При проигрывании граммпластины на кончик иглы воздействует сила, которая стремится переместить головку звукоснимателя к центру граммпластины. Эту силу можно скомпенсировать, правильно подобрав значения прижимной силы и силы противоскачивания.
- 7 Диск регулировки высоты тонарма**
Диск регулировки служит для установки высоты тонарма.
- 8 Рычаг опускания/подъема тонарма**
Управляет механизмом опускания/подъема тонарма.
- 9 Тонарм**
- 10 Фиксаторное кольцо**
С целью фиксации держателя головки звукоснимателя на тонарме поверните фиксаторное кольцо влево (против часовой стрелки). Чтобы снять держатель головки, поверните фиксаторное кольцо по часовой стрелке.
- 11 Держатель и головка звукоснимателя**
Головка звукоснимателя (VM520EB) установлена на держателе (AT-HS10).



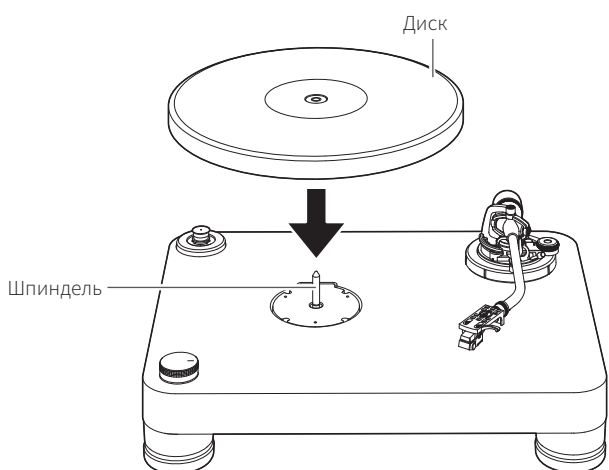
Подготовка к работе

Установка диска

Перед первым использованием нужно подготовить проигрыватель к работе. Не подключайте выпрямитель переменного тока, пока не будут выполнены все описанные ниже действия.

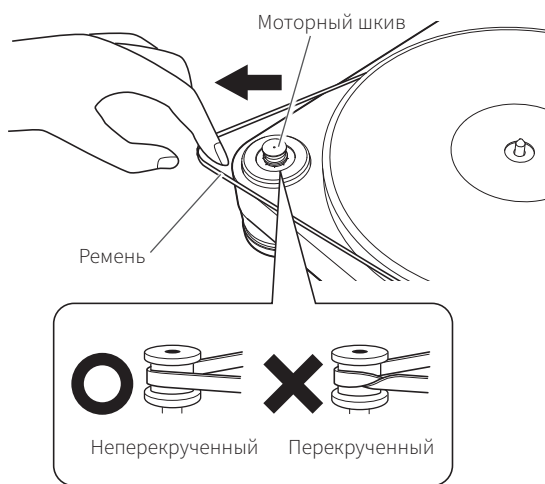
1. Установите диск на шпиндель.

- Во избежание повреждения шпинделя при установке диска, совместите шпиндель с отверстием диска, после чего медленно установите диск.
- Убедитесь, что диск занял нужное положение.



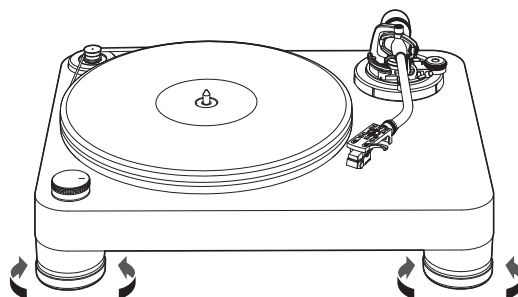
2. Наденьте ремень сначала на диск, а затем на шкив двигателя.

- Убедитесь, что ремень не перекручивается.



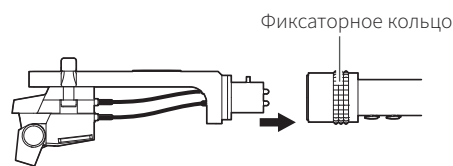
Выравнивание проигрывателя

1. После установки изделия в нужном для его использования месте необходимо отрегулировать его горизонтальность с помощью ножек.
 - При необходимости для проверки горизонтального расположения используется уровень (продается отдельно).

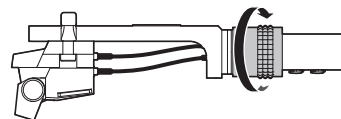


Сборка тонарма

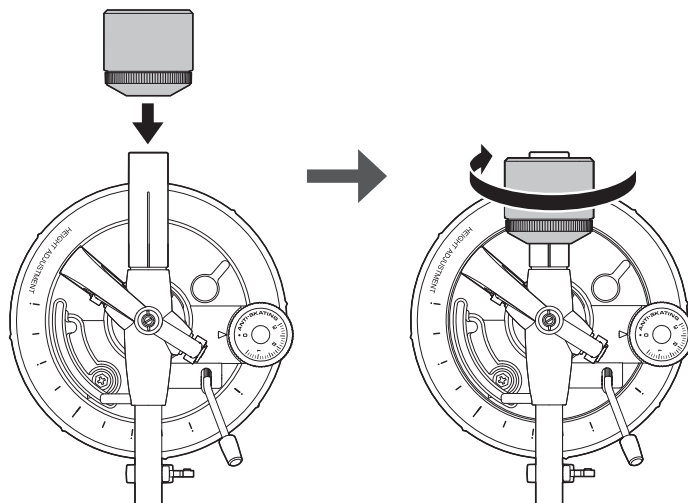
1. Удалите проволочную стяжку, которая фиксирует тонарм на время транспортировки.
 - Следует использовать держатель для временной фиксации тонарма на своей опоре.
2. Установите держатель головки на тонарм.
 - Удерживайте держатель головки за левую и правую кромки так, чтобы не повредить иглу и провода головки.



3. Поверните фиксаторное кольцо против часовой стрелки (влево).



4. Наденьте противес на заднюю часть тонарма со стороны регулятора прижимной силы и слегка поверните против часовой стрелки (влево).



Настройка проигрывателя

- Установите проигрыватель на горизонтальную поверхность.
- Звукосниматель воспринимает слабые звуковые колебания и вибрации от акустических систем, которые передаются через пол или через воздух, в результате чего может возникнуть паразитная обратная связь, поэтому не устанавливайте проигрыватель рядом с громкоговорящими.
- Если проигрыватель установлен рядом с радиопередающим устройством, он может быть подвержен наводкам радиопомех. Поэтому старайтесь устанавливать проигрыватель вдали от радиопередающих устройств.
- При приближении к проигрывателю оборудования, генерирующего сильное радиоизлучение (мобильный телефон и пр.), в звуковом канале может быть слышен шум.

Подготовка к работе

Балансировка тонарма и регулировка прижимной силы

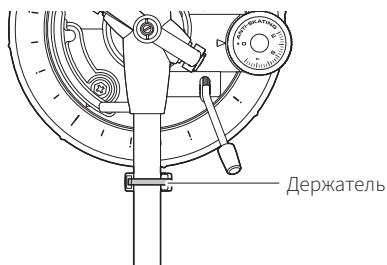
Для наиболее точного воспроизведения головкой записанного на дорожке грампластинки звука, нужно правильно сбалансировать тонарм и отрегулировать прижимную силу согласно характеристикам головки. В противном случае возможен ускоренный износ грампластинки и даже поломка иглы.

- Во время регулировки тонарма соблюдайте осторожность во избежание движения иглы поперек дорожек грампластинки и контакта с диском. Это может привести к повреждению иглы.

Балансировка тонарма

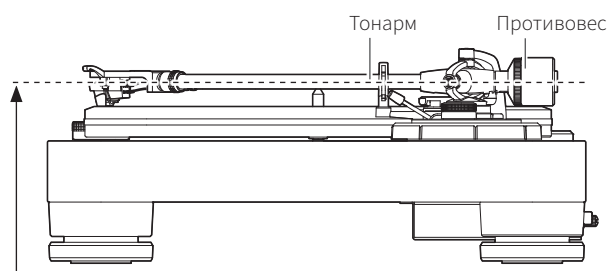
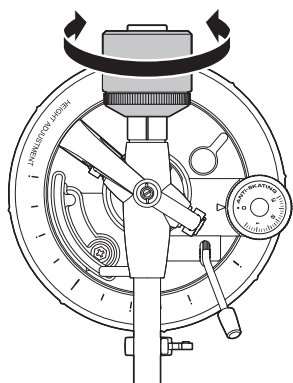
1. Слегка удерживая головку, чтобы тонарм не двигался, удалите держатель.

- Тонарм наклоняется, поскольку он пока несбалансирован.



2. Аккуратно удерживая держатель головки, поворачивайте противовес для балансировки тонарма.

- Добейтесь того, чтобы тонарм оставался в горизонтальном положении при отпуске держателя головки.



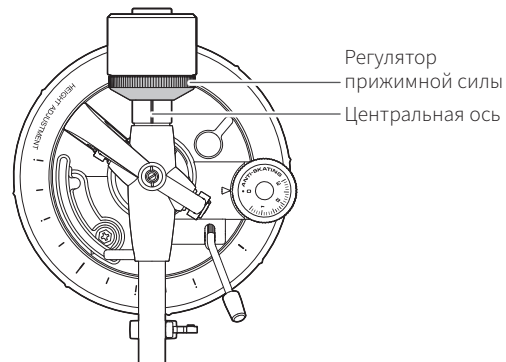
Отрегулируйте положение противовеса так, чтобы тонарм находился в горизонтальном положении

3. Установите тонарм на опору.

Регулировка прижимной силы

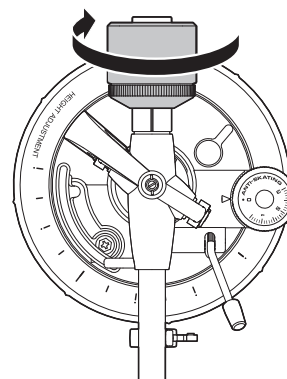
1. Удерживая противовес в неподвижном состоянии, поверните регулятор прижимной силы так, чтобы указатель "0" на нем совпал с центральной линией в задней части тонарма.

- Манипуляций только с регулятором прижимной силы недостаточно для точной регулировки.



2. Поворачивая противовес и регулятор прижимной силы против часовой стрелки, установите значение прижимной силы, рекомендованное для используемой головки звукоснимателя.

- Рекомендуемое значение прижимной силы указано в спецификации производителя звукоснимателя.
- Для поставляемой вместе с проигрывателем головки звукоснимателя оптимальная величина прижимной силы составляет 2,0 г.

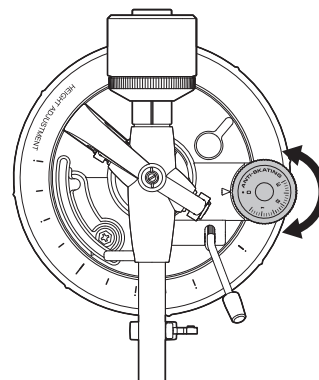


Регулировка компенсатора скатывающей силы

При проигрывании грампластинки на кончик иглы воздействует сила, которая стремится переместить головку звукоснимателя к центру грампластинки. Эту силу можно скомпенсировать, правильно подобрав значения прижимной силы и силы противоскатывания.

1. На регуляторе компенсатора скатывающей силы установите значение, равное прижимной силе.

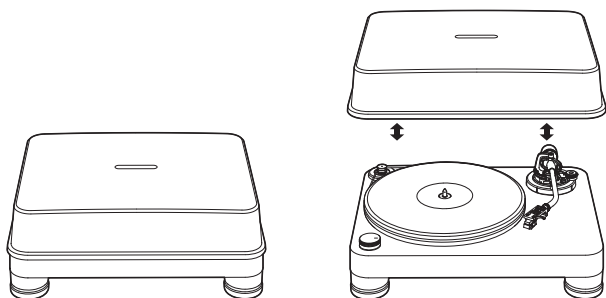
- Для поставляемой вместе с проигрывателем головки звукоснимателя оптимальная величина прижимной силы составляет 2,0 г.



Подготовка к работе

Установка и снятие пылезащитной крышки

- Пылезащитная крышка служит для защиты чувствительных компонентов изделия на то время, пока он не используется. Для воспроизведения грампластинок она снимается.
- Использование пылезащитной крышки во время воспроизведения может привести к повреждению грампластинки или снижению качества звука.
- Устанавливать или снимать пылезащитную крышку на корпус следует медленно.



Положение переключателя типа головки MM (VM)/MC

При использовании головки звукоснимателя с подвижным магнитом (типа MM или VM), установите этот переключатель в положение MM. При использовании головки звукоснимателя с подвижной катушкой (MC типа), установите этот переключатель в положение MC.

- При покупке проигрывателя этот переключатель установлен в положение MM. Поскольку поставляемая вместе с проигрывателем головка звукоснимателя (VM520EB) является VM стерео головкой, все время, пока используется эта головка, оставляйте переключатель в положении MM.

Положение переключателя предусилителя

Этот проигрыватель имеет встроенный предусилитель-корректор. Изделие можно использовать даже в отсутствие предусилителя или подключаемого оборудования со встроенным предусилителем-корректором, подключив к проигрывателю активный громкоговоритель и пр.

Для установки выхода используется селекторный переключатель предусилителя, как показано ниже.

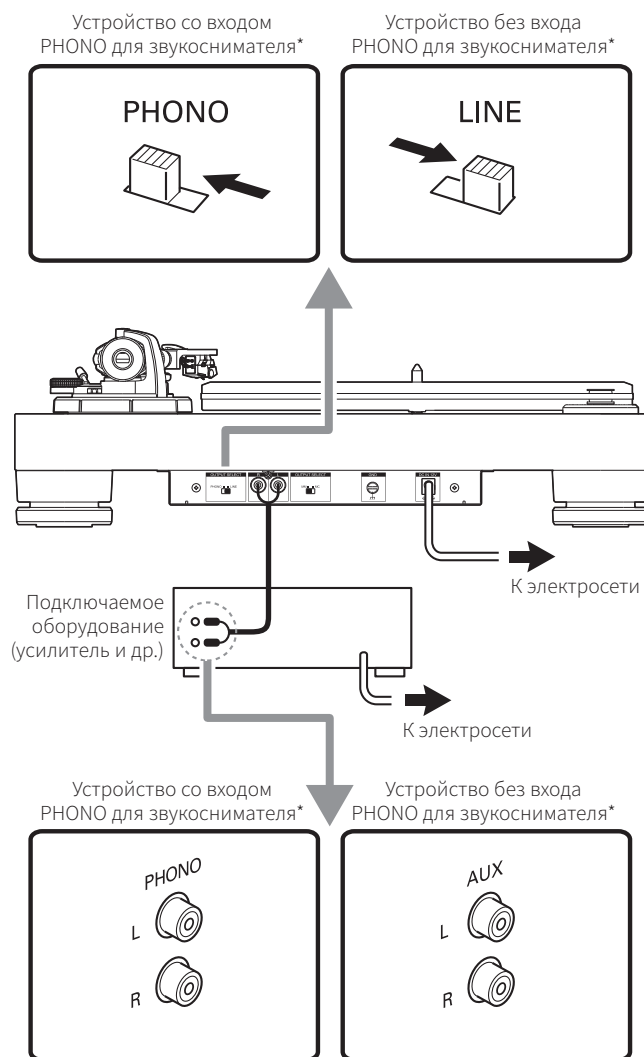
Подключенное оборудование	Положение переключателя предусилителя	Куда подключаются штекеры аудио-кабеля RCA
Устройство со входом для звукоснимателя	PHONO	Вход для звукоснимателя и провод заземления на подключенном оборудовании
Устройство без входа для звукоснимателя	LINE	Вход AUX или линейный вход на подключенном оборудовании
Звуковая карта ПК	LINE	Гнездо линейного входа звуковой карты ПК*

* Для подключения аудио-кабеля RCA ко входному гнезду звуковой карты ПК может потребоваться аудио-переходник (продается отдельно).

Подключение к дополнительному оборудованию (активные громкоговорители, усилители и пр.)

Установите переключатель предусилителя в нужное положение и подключите аудио-кабель RCA проигрывателя ко входу вашего звукоусилительного устройства (усилитель, ресивер, активные громкоговорители, звуковая карта ПК и пр.).

- Красный штекер аудио-кабеля RCA следует подключить к правому (R), а белый — к левому (L) каналу.



- * В зависимости от используемого оборудования клемма заземления может находиться рядом со входным гнездом звукоснимателя. Если это так, подключите к ней провод заземления аудио-кабеля RCA. Это поможет предотвратить низкий гудящий звук, который в противном случае может возникнуть при проигрывании грампластинки.

Подключение выпрямителя переменного тока

В данной модели отсутствует выключатель питания. Ток дежурного режима всегда протекает через проигрыватель, даже когда он не используется; если вы не используете проигрыватель в течение длительного времени, отсоедините вилку шнура питания от сетевой розетки.

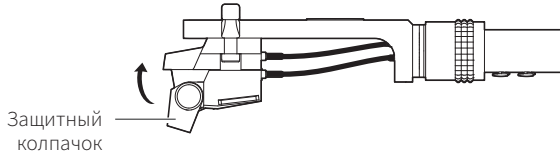
1. Подключите шнур ко входу питания.
2. Подключите вилку шнура питания к розетке сети переменного тока.
 - Убедитесь в том, что ручка управления находится в положении "STOP".
 - Если вы начнете проигрывать грампластинку сразу же после того, как вставите шнур питания, воспроизводимый звук может искажаться. Подождите немного (около 30 секунд) после включения вилки шнура питания в розетку, прежде чем проигрывать грампластинку.

Воспроизведение грампластинки

Перед воспроизведением грампластинки

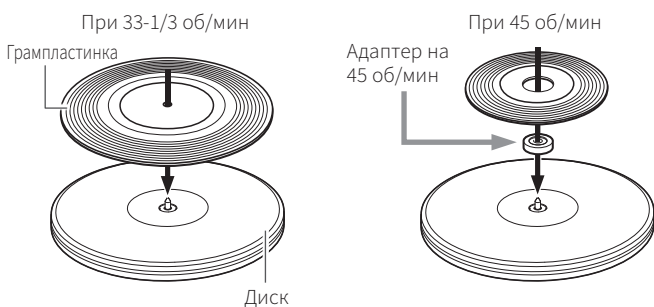
1. Верните защитный колпачок головки звукоснимателя в исходное верхнее положение.

- Если тонарм зафиксирован на опоре, следует удалить держатель.



2. Установите грампластинку на диск, совместив отверстие в пластинке с центральным шпинделем.

- Если вы хотите проиграть пластинку-миньон, рассчитанную на 45 об/мин, установите адаптер для грампластинок на 45 об/мин (см. правую часть на рисунке ниже).



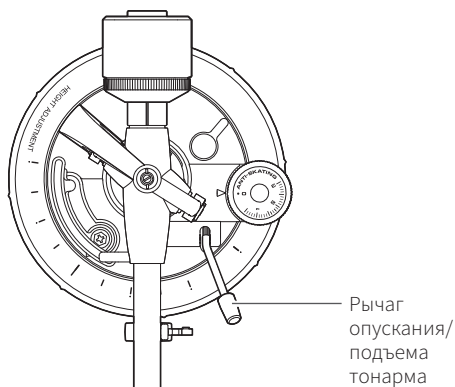
Воспроизведение грампластинки

Приглушите уровень громкости усилителя, акустических систем или другого оборудования.

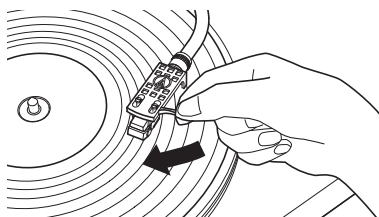
1. Выберите скорость с помощью ручки управления.

- Выберите "33" или "45" для 33-1/3 или 45 об/мин, соответственно.
- Диск начинает вращаться.

2. Поднимите тонарм, переместив рычаг управления подъемником тонарма в положение «UP».



3. Разместите тонарм над необходимым участком (дорожкой) виниловой пластинки.



4. Опустите тонарм, переместив рычаг управления подъемником тонарма в положение «DOWN». Тонарм медленно опустится на виниловую пластинку, и начнется воспроизведение.

- Можно также пропустить операции со 2 по 4, поднять головку звукоснимателя пальцами, перенести тонарм в нужное положение на грампластинке и опустить ее для начала воспроизведения записи.
- Во избежание повреждения изделия, не подвергайте его сильным ударам во время проигрывания грампластинки.

Пауза во время проигрывания

1. После того, как вы приглушите уровень громкости усилителя, акустических систем или другого оборудования, поднимите тонарм с помощью рычага подъема тонарма.

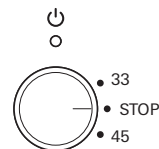
Окончание проигрывания

1. Приглушите уровень громкости усилителя, акустических систем или другого оборудования.

2. Поднимите тонарм рычагом, возвратите тонарм на опору и зафиксируйте его держателем.

3. Поверните ручку управления в положение "STOP".

- Вращение диска замедляется и останавливается.



4. После того, как диск полностью остановится, снимите грампластинку.

- Чтобы защитить грампластинку от царапин и деформации, убирайте ее после проигрывания.
- Не используйте других дисков, кроме диска, поставляемого с проигрывателем.
- Данный проигрыватель не предназначен для ди-джеев. Не прикасайтесь к грампластинке или проигрывателю во время проигрывания грампластинки.

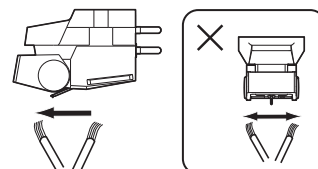
Уход

Корпус проигрывателя

- Если корпус проигрывателя покрылся пылью или грязью, сначала отсоедините шнур питания от электросети, а затем протрите его мягкой, сухой тканью.
- Не используйте бензин, растворители.
- Если проигрыватель не будет использоваться в течение длительного времени, отсоедините шнур питания от розетки, заверните проигрыватель в полиэтиленовую пленку. Сделайте невозможным попадание в проигрыватель влаги.

Игла

- Если на игле скопилась грязь и пыль, очистите ее специальной кисточкой, которая продается отдельно.
- Если игла сильно загрязнена, мы рекомендуем использовать средство для чистки иглы (продается отдельно). Во время очистки движение кисточки должно быть направлено от задней части головки к игле.

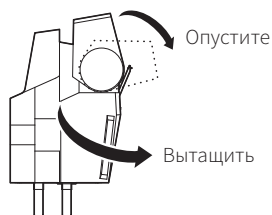


Замена иглы

Удаление использованной иглы

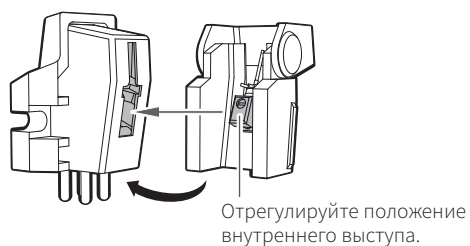
- Если игла изношена, помимо ухудшения качества звука, она может испортить грампластинку.
- Как правило, иглу следует менять через 300 часов работы.
- Отсоедините вилку шнура питания от электросети.

1. Снимите держатель головки с тонарма.
 - Зафиксировав тонарм держателем, аккуратно отсоедините головку звукоснимателя.
2. Опустив защитный колпачок головки звукоснимателя, удалите сменную иглу, вытащив ее в направлении стрелки.



Установка новой иглы

1. Установите на головку новую иглу.

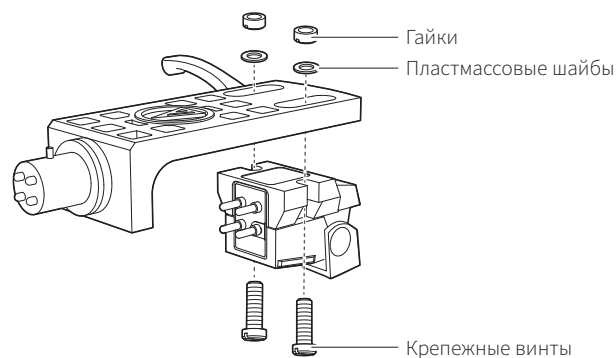


2. Установите держатель головки на тонарм.

Замена головки звукоснимателя

Если вы хотите заменить поставляемую вместе с проигрывателем головку звукоснимателя (VM520EB) на другую имеющуюся в продаже, указания по установке см. в руководстве пользователя новой головке звукоснимателя. После замены головки следует заново отрегулировать вынос головки, сбалансировать тонарм и отрегулировать прижимную силу.

1. Снимите держатель головки с тонарма.
 - Зафиксировав тонарм держателем, аккуратно отсоедините держатель головки.
2. Снимите иглу с головки звукоснимателя.
 - См. раздел "Удаление использованной иглы" на стр. 9.
3. Отсоедините провода.
 - Соблюдайте осторожность, чтобы не повредить провода.
4. С помощью немагнитной плоской отвертки отвинтите крепежные винты и снимите головку с держателя.
5. Перед креплением к держателю новой головки и подключением контактов провода прочтите руководство пользователя новой головки.



6. С помощью немагнитной плоской отвертки закрутите оба крепежных винта, а затем отрегулируйте вынос головки.
 - Подробное описание см. в разделе "Регулировка выноса головки" на стр. 11.
 - После окончания регулировки затяните винты.
7. Закрепите держатель головки на тонарме.
8. Отрегулируйте высоту тонарма.
 - При выполнении регулировок см. раздел "Регулировка высоты тонарма" на стр. 10.
9. Отрегулируйте баланс тонарма и прижимную силу.
 - См. раздел "Балансировка тонарма и регулировка прижимной силы" на стр. 6.

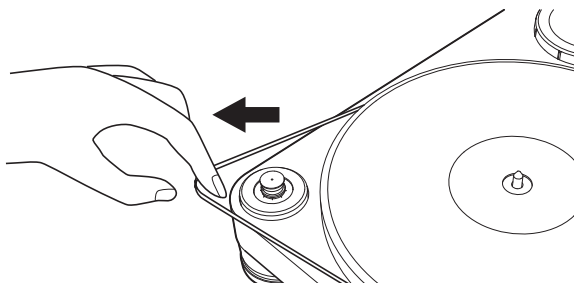
Замена приводного ремня

- Приводной ремень относится к расходным частям. Ремень следует заменить, если наблюдается замедление скорости или неравномерное вращение грампластинки. Как правило, рекомендуется заменять приводной ремень раз в год.
- Перед заменой приводного ремня отсоедините вилку шнура питания от электросети.

1. Снимите старый ремень.

2. Наденьте новый ремень сначала на диск, а затем на шкив двигателя.

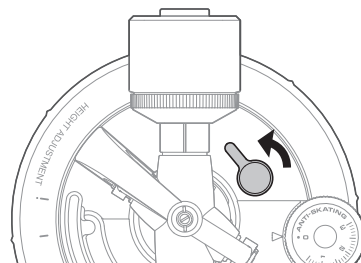
- При установке ремня на шкив двигателя следует проверить, что ремень не перекручивается.



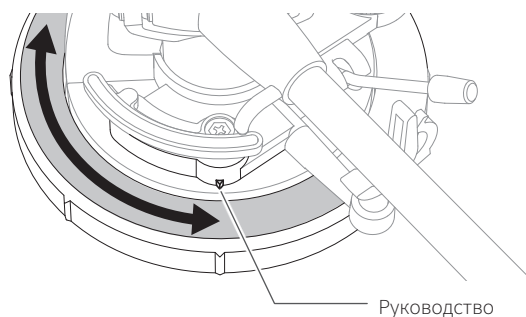
Регулировка высоты тонарма

При установке головки, отличной от имеющейся, необходимо соблюдать необходимое расстояние между головкой и поверхностью грампластинки. Установите иглу на пластинку и убедитесь в том, что тонарм параллелен ее поверхности. Если он не параллелен поверхности пластинки, отрегулируйте высоту тонарма.

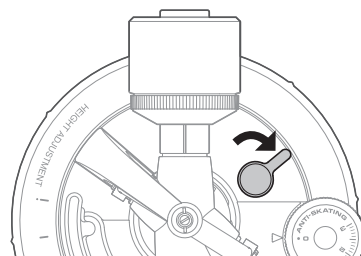
1. Поверните рычаг настройки высоты тонарма, чтобы ослабить опору тонарма.



2. Отрегулируйте его высоту поворотом диска регулировки высоты тонарма.



3. По завершении регулировки поверните рычаг установки высоты для установки тонарма.

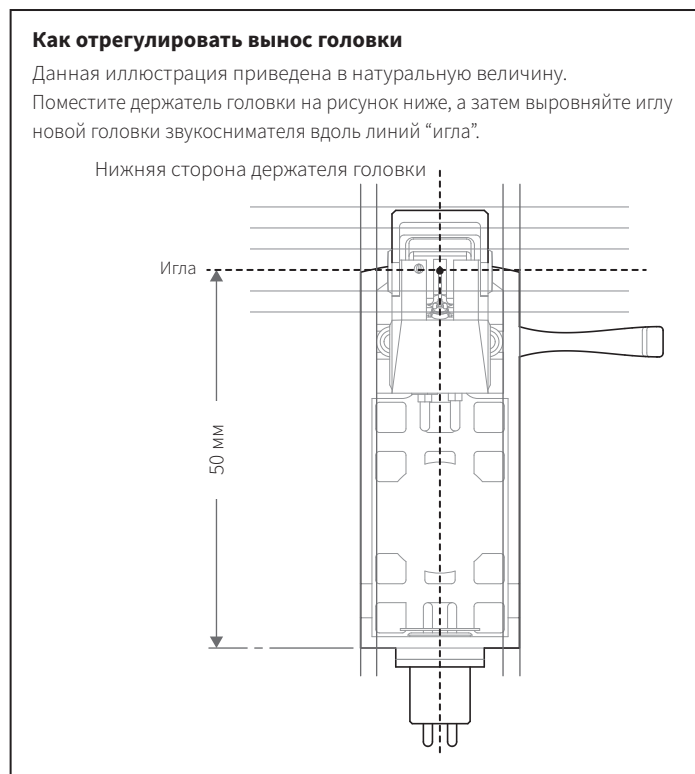


Регулировка выноса головки

Если вы устанавливаете новую головку, ее положение на держателе (вынос) нужно тщательно отрегулировать.

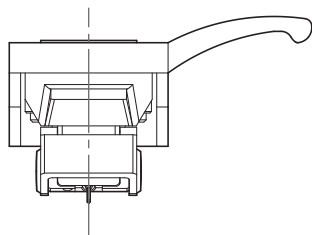
1. Установите головку параллельно держателю.

- Расположите головку звукоснимателя и держатель головки так, как показано на рисунке ниже, и установите головку параллельно держателю.



2. Установите головку звукоснимателя так, чтобы ее вертикальная ось, проходящая через иглу, была перпендикулярна верхней поверхности держателя головки.

Передняя сторона держателя головки



Перемещение проигрывателя

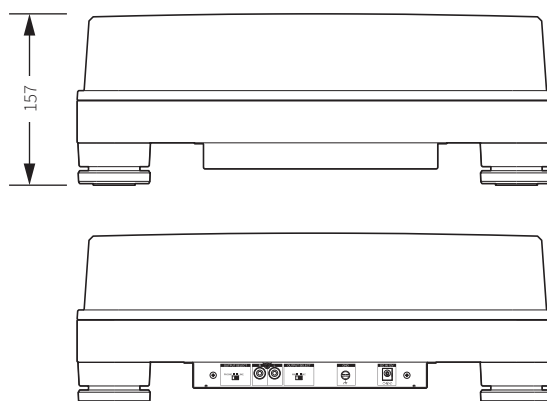
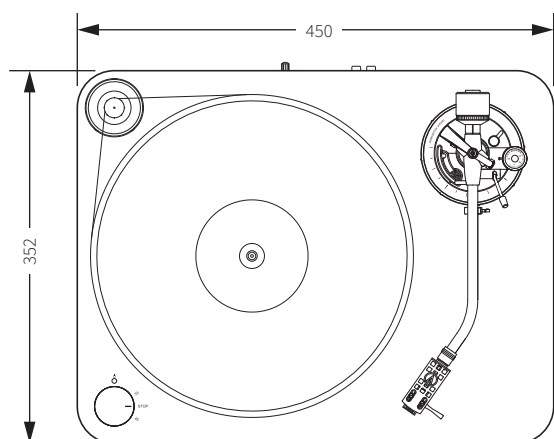
Используя оригинальную упаковочную тару проигрывателя, упакуйте его, действуя в порядке, обратном порядку распаковки. Если упаковка не сохранилась, действуйте следующим образом:

- Отсоединив вилку шнура питания от электросети, снимите диск и упакуйте его, чтобы защитить от повреждения. При перемещении изделия с установленным диском может повредиться шпиндель.
- Зафиксируйте тонарм держателем.
- Снимите противовес.
- Снимите держатель головки с тонарма вместе с надетым на нее защитным колпачком и упакуйте их вместе, чтобы защитить от повреждения.
- Заверните корпус проигрывателя в бумагу или мягкую ткань чтобы защитить его от повреждения.

Поиск и устранение неисправностей

Проблема	Решение
Диск не вращается.	<ul style="list-style-type: none"> Выпрямитель переменного тока включен в сетевую розетку? Включить выпрямитель переменного тока в сетевую розетку. Не нарушен ли контакт штексера шнура питания? Проверить надежность подключения штексера к выпрямителю переменного тока. Не соскочил ли приводной ремень со шкива электродвигателя? Правильно наденьте приводной ремень на шкив электродвигателя. Приводной ремень находится на шкиве электродвигателя? Проверьте, правильно ли посажен приводной ремень на шкив электродвигателя (цвета латуни). Не поврежден ли приводной ремень? Замените приводной ремень.
Диск вращается, но звук отсутствует или слишком тихий.	<ul style="list-style-type: none"> Соответствует ли положение переключателя встроенного предусилителя-корректора выбранному входу на подключенном оборудовании (усилитель и т.п.)? Проверьте, правильно ли выбран вход на подключенном оборудовании. Игла не повреждена? Проверьте состояние иглы; при необходимости замените. Иглодержатель правильно установлен в головку звукоснимателя? Проверьте положение иглодержателя, при необходимости поправьте его. Переключатель встроенного предусилителя-корректора находится в правильном положении? Проверьте правильность положения переключателя встроенного предусилителя-корректора, руководствуясь следующим: <ul style="list-style-type: none"> Если звук отсутствует или громкость слишком мала, значит, переключатель встроенного предусилителя-корректора установлен в положение "PHONO", а аудио кабель подключен ко входу AUX/LINE усилителя. Если громкость слишком высокая или звук искажен, значит проигрыватель переведен в режим "LINE" и подключен к входному разъему PHONO усилителя. Прижимная сила слишком велика? Отрегулируйте прижимную силу.
Игла перескакивает с дорожки на дорожку.	<ul style="list-style-type: none"> Прижимная сила слишком мала? Отрегулируйте прижимную силу. Компенсатор скатывающей силы настроен неверно? Убедитесь, что компенсатор скатывающей силы установлен на то же значение, что и прижимная сила. Грампластинка не погнута? Проверьте грампластинку. Грампластинка не поцарапана? Проверьте грампластинку.
Посторонние звуки, подвывание.	<ul style="list-style-type: none"> Проигрыватель воспринимает чрезмерную вибрацию от пола, стен или расположенных вблизи него акустических систем? Уменьшите передачу колебаний на проигрыватель, установите его на поверхность, которая не передает вибрацию. Проигрыватель установлен на неустойчивой поверхности? Проверьте устойчивость поверхности.
Во время проигрывания грампластинки слышен шум.	<ul style="list-style-type: none"> Скопилось грязь на игле? Если на игле скопилось грязь и пыль, очистите ее специальной кисточкой, продающейся отдельно.
Скорость воспроизведения замедлена или ускорена.	<ul style="list-style-type: none"> Правильно ли выбрана скорость вращения? С помощью ручки управления установите скорость вращения диска соответственно проигрываемой грампластинке.
Наблюдается замедление скорости или неравномерное вращение грампластинки.	<ul style="list-style-type: none"> Не проскальзывает/растянулся ли приводной ремень? Замените приводной ремень.
Во время воспроизведения слышно гудение.	<ul style="list-style-type: none"> Правильно ли подключен провод заземления? Проверьте подключение провода заземления. Надежно ли прикреплен держатель головки к тонарму? Проверьте затяжку фиксаторного кольца.

Габаритные размеры



(Единицы: мм)

Технические характеристики

Спецификации проигрывателя

Тип	Ручной проигрыватель с ременным приводом
Двигатель	Электродвигатель постоянного тока
Тип привода	Ременной привод
Скорости	33-1/3 об/мин, 45 об/мин
Диск проигрывателя	POM (полиоксиметилен)
Коэффициент детонации	< 0,08 % взвешенное среднеквадратическое значение (33 об/мин) на 3 кГц
Отношение сигнал-шум	> 60 дБ
Уровень выходного сигнала "PHONO"	Номинальное значение 4,5 мВ на частоте 1 кГц, 5 см/с
"LINE (MM)"	Номинальное значение 280 мВ на частоте 1 кГц, 5 см/с
Коэфф. усиления фонокорректора (головка MM)	Номинальное значение 36 дБ, RIAA-коррекция
Коэфф. усиления фонокорректора (головка MC)	Номинальное значение 56 дБ, RIAA-коррекция

Спецификации тонарма

Тип	Статически сбалансированный J-образный тонарм
Рабочая длина	247 мм
Вынос	17 мм
Максимальная угловая погрешность тонарма	Менее 2,5°
Диапазон настройки прижимной силы иглы	от 0 до 2,5 г
Диапазон массы звукоснимателя (включая головку звукоснимателя)	от 15 до 20 г

Спецификации головки звукоснимателя и держателя

Модель звукоснимателя	VM520EB
Тип звукоснимателя	С двумя магнитами, VM-типа
Рекомендуемое полное сопротивление нагрузки	47 000 Ом
Выходное напряжение	4,5 мВ (на частоте 1 кГц, 5 см/с)
Игла	Метализированная эллиптическая игла 0,3 × 0,7 миллидюйм
Иглодержатель	Алюминиевая трубка
Диапазон прижимной силы	от 1,8 до 2,2 г (стандарт – 2,0 г)
Масса звукоснимателя	6,4 г
Модель головки звукоснимателя	AT-HS10
Масса головки звукоснимателя	10 г (за исключением проводов)
Регулировка выноса головки звукоснимателя	± 5 мм

Общие спецификации

Требования к электропитанию	100 - 240 В, 50/60 Гц, 0,6 А макс.
Потребляемая мощность	5,5 Вт
Выпрямитель переменного тока	12 В, 2 А
Габаритные размеры	450 мм × 352 мм × 157 мм (Ш × Г × В)
Масса	8,3 кг (без пылезащитной крышки)
Принадлежности в комплекте	Пылезащитная крышка, диск, Приводной ремень, Противовес, Держатель головки (AT-HS10) со стереофонической головкой звукоснимателя VM-типа (VM520EB), Адаптер на 45 об/мин, Аудио-кабель RCA (прибл. 1,4 м), Выпрямитель переменного тока (прибл. 1,3 м) (AD-SE1220KZ)
Запасная игла (продается отдельно)	VMN20EB
Запасной держатель головки (продается отдельно)	AT-HS10
Запасной ремень (продается отдельно)	Приводной ремень экстра-класса AT-LP7

Ввиду непрерывного совершенствования изделия, его характеристики могут быть изменены без уведомления.

Memo

A series of horizontal dotted lines for writing.

English**Disposal of Old Electrical & Electronic Equipment (Applicable in European countries with separate collection systems)**

This symbol on the product or on its packaging indicates that this product shall not be treated as household waste. Instead it shall be handed over to the applicable collection point for the recycling of electrical and electronic equipment. By ensuring this product is disposed of correctly, you will help prevent potential negative consequences for the environment and human health, which could otherwise be caused by inappropriate waste handling of this product. The recycling of materials will help to conserve natural resources. For more detailed information about recycling of this product, please contact your local city office, your household waste disposal service or the shop where you purchased the product.

Deutsch**Entsorgung von gebrauchten elektrischen und elektronischen Geräten (Anzuwenden in den europäischen Ländern mit einem separaten Sammelsystem für diese Geräte)**

Das Symbol auf dem Produkt oder seiner Verpackung weist darauf hin, dass dieses Produkt nicht als normaler Haushaltsabfall zu behandeln ist, sondern an einer Annahmestelle für das Recycling von elektrischen und elektronischen Geräten abgegeben werden muss. Durch Ihren Beitrag zum korrekten Entsorgen dieses Produkts schützen Sie die Umwelt und die Gesundheit Ihrer Mitmenschen. Umwelt und Gesundheit werden durch falsches Entsorgen gefährdet. Materialrecycling hilft den Verbrauch von Rohstoffen zu verringern. Weitere Informationen über das Recycling dieses Produkts erhalten Sie von Ihrer Gemeinde, den kommunalen Entsorgungsbetrieben oder dem Geschäft, in dem Sie das Produkt gekauft haben.

Français**Traitement des appareils électriques et électroniques en fin de vie (Applicable dans les pays européens disposant de systèmes de collecte sélective)**

Ce symbole, apposé sur le produit ou sur son emballage, indique que ce produit ne doit pas être traité avec les déchets ménagers. Il doit être remis à un point de collecte approprié pour le recyclage des équipements électriques et électroniques. En s'assurant que ce produit est bien mis au rebut de manière appropriée, vous aiderez à prévenir les conséquences négatives potentielles pour l'environnement et la santé humaine. Le recyclage des matériaux aidera à conserver les ressources naturelles. Pour toute information supplémentaire au sujet du recyclage de ce produit, vous pouvez contacter votre municipalité, votre déchetterie ou le magasin où vous avez acheté le produit.

Nederlands**Verwijdering van oude Elektrische en Elektronische Apparaten (Toepasbaar in de Europese landen met gescheiden ophaalsysteem)**

Het symbool op het product of op de verpakking wijst erop dat dit product niet als huishoudafval mag worden behandeld. Het moet echter naar een plaats worden gebracht waar elektrische en elektronische apparatuur wordt gerecycled. Als u ervoor zorgt dat dit product op de correcte manier wordt verwijderd, voorkomt u voor mens en milieu negatieve gevolgen die zich zouden kunnen voordoen in geval van verkeerde afvalbehandeling. De recycling van materialen draagt bij tot het vrijwaren van natuurlijke bronnen. Voor meer details in verband met het recyclen van dit product, neemt u het best contact op met de gemeentelijke instanties, het bedrijf of de dienst belast met de verwijdering van huishoudafval of de winkel waar u het product hebt gekocht.

Dansk**Håndtering af udtjent elektrisk og elektronisk udstyr (Gælder for europæiske lande med separate indsamlingssystemer).**

Dette symbol på produktet eller emballagen angiver, at produktet ikke må behandles som husholdningsaffald. Det skal i stedet indleveres på en deponeringsplads specielt indrettet til modtagelse og genbrug af elektrisk og elektronisk udstyr. Ved at sikre, at produktet bortskaffes korrekt, forebygges de eventuelle negative miljø- og sundhedsskadelige påvirkninger, som en ukorrekt affaldshåndtering af produktet kan forårsage. Genbrug af materialer vil medvirke til at bevare naturens ressourcer. Yderligere information om genbrug af dette produkt kan fås hos myndighederne, det lokale renovationselskab eller i butikken, hvor produktet blev købt.

Svenska**Omhändertagande av gamla elektriska och elektroniska produkter (användbara i europeiska länder med separata insamlingssystem)**

Symbolen på produkten eller emballaget anger att produkten inte får hanteras som hushållsavfall. Den skall i stället lämnas in på uppsamlingsplats för återvinning av el- och elektronikkomponenter. Genom att säkerställa att produkten hanteras på rätt sätt bidrar du till att förebygga eventuella negativa miljö- och hälsoeffekter som kan uppstå om produkten kasseras som vanligt avfall. Återvinning av material hjälper till att bibehålla naturens resurser. För ytterligare upplysningar om återvinning bör du kontakta lokala myndigheter eller söphämningsstjänst eller affären där du köpte varan.

本説明文はヨーロッパ電気電子機器回収システムにかかわる案内です。

本説明文是关于欧洲电器电子机械回收系统的介绍。

이 설명문은 유럽 전기전자 기기 회수 시스템에 관련된 안내입니다.

Español**Tratamiento de los equipos eléctricos y electrónicos al final de su vida útil (Aplicable en países europeos con sistemas de recogida selectiva de residuos)**

Este símbolo en su equipo o su embalaje indica que el presente producto no puede ser tratado como residuos domésticos normales, sino que deben entregarse en el correspondiente punto de recogida de equipos eléctricos y electrónicos. Asegurándose de que este producto es desechado correctamente, Usted está ayudando a prevenir las consecuencias negativas para el medio ambiente y la salud humana que podrían derivarse de la incorrecta manipulación de este producto. El reciclaje de materiales ayuda a conservar los recursos naturales. Para recibir información detallada sobre el reciclaje de este producto, por favor, contacte con su ayuntamiento, su punto de recogida más cercano o el distribuidor donde adquirió el producto.

Português**Tratamento de Equipamentos Elétricos e Eletrônicos no final da sua vida útil (Aplicável em países Europeus com sistemas de recolha independentes)**

Este símbolo no produto ou na sua embalagem indica que este não deve ser tratado como resíduo doméstico. Ao invés, será colocado no ponto de recolha destinado à reciclagem de equipamento eléctrico e electrónico. Assegurando-se que este produto é despejado correctamente, você irá prevenir potenciais consequências negativas para o meio ambiente bem como para a saúde humana, que de outra forma poderiam ocorrer pela manipulação imprópria deste produto. A reciclagem dos materiais contribui para a conservação dos recursos naturais. Para obter mais informação detalhada sobre a reciclagem deste produto, por favor contacte o município acentos onde reside, os serviços de recolha de resíduos da sua área ou a loja onde o produto foi adquirido.

Italiano**Trattamento del dispositivo elettrico od elettronico (Applicabile in tutti i paesi dell'Unione Europea che utilizzano un sistema di raccolta differenziata)**

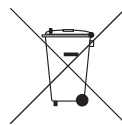
Questo simbolo sul prodotto o sulla confezione indica che il prodotto non deve essere riposto in un punto di raccolta adibito a rifiuti domestici. Deve invece essere trattato nel punto di raccolta appropriato per il riciclo di apparecchi elettrici ed elettronici. Assicurandoci che questo prodotto sia smaltito correttamente, contribuirete a prevenire potenziali conseguenze negative per l'ambiente e per la salute che potrebbero altrimenti essere causate dal uno smaltimento inadeguato. Il riciclaggio dei materiali aiuta a conservare le risorse naturali. Per informazioni più dettagliate circa il riciclaggio di questo prodotto, potete contattare il vostro ufficio comunale, il servizio locale di smaltimento rifiuti oppure il negozio dove l'avete acquistato.

Język polski**Pozbywanie się zużytego sprzętu (Stosowane w krajach europejskich posiadających system selektywnej zbiórki odpadów)**

Takie oznaczenie na produkcie lub jego opakowaniu wskazuje, że produkt nie może być traktowany jako odpad komunalny lecz powinno się go dostarczyć do odpowiedniego punktu zbiórki sprzętu elektrycznego i elektronicznego w celu recyklingu. Zapewniając prawidłową dyspozycję dotyczącą produktu, zapobiega się jego negatywnemu działaniu na środowisko oraz zdrowie ludzi, jakie mogłoby wystąpić w przypadku niewłaściwego postępowania. Recykling materiałów pomoże w ochronie bogactw naturalnych. W celu uzyskania bardziej szczegółowych informacji na temat recyklingu tego produktu, należy skontaktować się z urzędem miejskim, ze służbami oczyszczania miasta lub ze sklepem, w którym ten produkt został zakupiony.

Русский**Утилизация электрического и электронного оборудования (директива применяется в странах, где действует система раздельного сбора отходов).**

Данный знак на устройстве или его упаковке обозначает, что данное устройство нельзя утилизировать вместе с прочими бытовыми отходами. Его следует сдать в соответствующий приемный пункт переработки электрического и электронного оборудования. Неправильная утилизация данного изделия может привести к потенциально негативному влиянию на окружающую среду и здоровье людей, поэтому для предотвращения подобных последствий необходимо выполнять специальные требования по утилизации этого изделия. Переработка данных материалов поможет сохранить природные ресурсы. Для получения более подробной информации о переработке этого изделия обратитесь в местные органы городского управления, службу сбора бытовых отходов или в магазин, где было приобретено изделие.

Suomi**Käytöstä poistetun sähkö- ja elektroniikkalaitteen hävitys (Euroopan maiden keräysjärjestelmä)**

Symboli, joka on merkitty tuoteeseen tai sen pakkaukseen, osoittaa, että tätä tuotetta ei saa käsitellä talousjätteenä. Tuote on sen sijaan luovutettava sopivaan sähkö- ja elektroniikkalaitteiden kierrätyksestä huolehtivaan keräyspisteeseen. Tämän tuotteen asianmukaisen hävittämisen varmistamisella autetaan estämään sen mahdolliset ympäristöön ja terveyteen kohdistuvat haittavaikutukset, joita voi aiheutua muussa tapauksessa tämän epäasianmukaisesta jättekäsittelystä. Materiaalien kierrätys säästää luonnonvaroja. Tarkempia tietoja tämän tuotteen kierrättämisestä saa paikallisesta kunnantoinnistosta.

Importer for Europe / Importateur pour l'Europe / Importeur für Europa / Importatore per l'Europa / Importador para Europa / Importeur voor Europa / Вноситель за Европа / Uvoznik za Evropu / Dovoze pre Evropu / Importor for Europa / Euroopa Importija / Euroopan maahantuojat / Εισαγωγέας για την Ευρώπη / Európai importőr / Allimhaireoir don Eoraip / Importētājs Eiropai / Importuotojas Europoje / Importatur għall-Ewropa / Importer dla Europy / Importator pentru Europa / Dovoza pre Európu / Uvoznik za Evropo / Importör för Europa

Audio-Technica Limited
Technica House, Unit 5, Millennium Way, Leeds LS11 5AL, United Kingdom

Manufactured by / fabriqué par / hergestellt durch / Prodotto da / fabricado por / fabricado por / vervaardigd door / Произведено от / Proizvođač / Výrobce / Fremstillet af / valmistatud / Valmistaja / Κατασκευάζεται από / Gyártó / mħonaraigh / Ražotājs / Gamintojas / manufaktur minn / wyprodukowane przez / Produs de / Výrobca / Proizvajalec / tillverkad av

Audio-Technica Corp.
2-46-1 Nishi-naruse, Machida, Tokyo 194-8666, Japan

Visit our Web Site: www.audio-technica.com

Two-Years Limited Warranty

Audio-Technica products purchased in the UK and EU / Europe are guaranteed for two years from date of purchase by Audio-Technica Ltd. to be free of defects in materials and workmanship. In the event of such defect, product will be repaired promptly without charge or, at our option, replaced with a new product of equal or superior value, if the faulty product is delivered to Audio-Technica Ltd., prepaid, together with the proof of purchase.

Prior approval from Audio-Technica Ltd. is required for return. This warranty excludes defects due to normal wear, abuse, shipping damage, or failure to use product in accordance with instructions. This warranty is void in the event of unauthorized repair or modification.

For return approval and shipping information, contact the Service Department,

Audio-Technica Ltd. Tel: +44 (0)113 277 1441.

Outside the U.K, please contact your local dealer for warranty details.

Visitez notre site internet : www.audio-technica.com

Garantie limitée de deux ans

Les produits Audio-Technica achetés au Royaume-Uni et dans l'UE/en Europe sont garantis sans défauts matériels ni de fabrication pendant deux ans à compter de l'achat par Audio-Technica Ltd. Dans l'éventualité d'un tel défaut, le produit sera rapidement réparé ou, si vous le désirez, remplacé par un nouveau produit de valeur équivalente ou supérieure à condition que ledit produit défectueux soit retourné, prépayé, à Audio-Technica Ltd. accompagné de sa preuve d'achat.

L'accord préalable d'Audio-Technica Ltd. est nécessaire pour tout renvoi. Sont exclus de cette garantie les défauts dus à l'usure normale du produit, à un usage abusif, à des dommages survenus durant le transport ou à une utilisation non conforme aux indications du présent mode d'emploi. La présente garantie est caduque en cas de réparation ou de modification non autorisée.

Afin d'obtenir l'accord pour un renvoi ou des informations sur le transport, veuillez contacter le service clientèle d'Audio-Technica Ltd.

Tél : +44 (0)113 277 1441.

Excepté au Royaume-Uni, veuillez contacter votre distributeur local pour connaître les détails de la garantie.

Besuchen Sie unsere Website: www.audio-technica.com

Zweijährige beschränkte Garantie

Audio-Technica Ltd. garantiert für jedes in Großbritannien und der EU / Europa erworbene Produkt von Audio-Technica ab Kaufdatum zwei Jahre lang, dass es frei von Material- und Verarbeitungsfehlern ist. Im Falle eines solchen Fehlers wird das Produkt umgehend gebührenfrei repariert oder, nach unserer Wahl, durch ein neues Produkt gleichen oder höheren Werts ersetzt, wenn das fehlerhafte Produkt zusammen mit dem Kaufbeleg und vorausbezahlt an Audio-Technica Ltd. geschickt wird.

Für Rücksendungen ist die vorherige Zustimmung von Audio-Technica Ltd. erforderlich. Von dieser Garantie ausgeschlossen sind Fehler, die durch normale Abnutzung, unsachgemäße Behandlung, beim Versand entstandene Schäden oder Benutzung entgegen den Gebrauchsanweisungen entstanden sind. Diese Garantie gilt nicht im Falle des unbefugten Versuchs, das Gerät zu reparieren oder zu modifizieren.

Kontaktieren Sie die Kundendienstabteilung für die Zustimmung zur Rücksendung und Versandinformationen,

Audio-Technica Ltd. Tel.: +44 (0)113 277 1441.

Kunden außerhalb Großbritanniens verweisen wir für Einzelheiten zur Garantie an ihren örtlichen Händler.

Visitare il nostro sito web: www.audio-technica.com

Due anni di garanzia limitata

I prodotti Audio-Technica acquistati nel Regno Unito e nell'Unione europea/in Europa sono garantiti per due anni dalla data di acquisto da Audio-Technica Ltd. per difetti di materiali e fabbricazione. In caso di difetti, il prodotto sarà prontamente riparato senza costi aggiuntivi o, in subordine, sostituito con un prodotto nuovo di valore uguale o superiore, qualora il prodotto difettoso venga consegnato a Audio-Technica Ltd, in porto franco, unitamente alla prova di acquisto.

Per la restituzione del prodotto è necessaria la preventiva approvazione da parte di Audio-Technica Ltd. La garanzia non include i difetti causati dal normale utilizzo, maltrattamento, danni dovuti alla spedizione o guasti per un utilizzo non conforme a quanto citato nelle istruzioni. La garanzia decade in caso di riparazioni o modifiche non autorizzate.

Per l'autorizzazione alla restituzione e la spedizione del prodotto, contattare il servizio di assistenza.

Audio-Technica Ltd. Tel: +44 (0)113 277 1441.

Al di fuori del Regno Unito, rivolgersi al rivenditore locale per informazioni sulla garanzia.

Visite nuestra página web: www.audio-technica.com

Dos años de garantía limitada

Los productos de Audio-Technica comprados en el Reino Unido y en la Unión Europea o en Europa cuentan con una garantía de dos años desde la fecha de compra por parte de Audio-Technica Ltd. que garantiza que están libres de defectos en cuanto a materiales y mano de obra. En caso de que exista algún defecto, el producto se reparará inmediatamente sin coste alguno o, a nuestra discreción, se sustituirá por uno nuevo de igual valor o superior si el producto defectuoso, pagado previamente, se envía a Audio-Technica Ltd. junto con la prueba de la compra.

Se requiere aprobación previa por parte de Audio-Technica Ltd. para la devolución. Esta garantía excluye defectos producidos por el desgaste normal, maltrato, daños durante el envío o en caso de no utilizar el producto de acuerdo con las instrucciones. Esta garantía queda anulada en caso de que se realice una reparación o modificación no autorizada.

Para obtener información sobre la aprobación de devolución y sobre el envío, póngase en contacto con el departamento de servicio de Audio-Technica Ltd. Tel.: +44 (0)113 277 1441.

Si se encuentra fuera del Reino Unido, póngase en contacto con su distribuidor local para obtener detalles sobre la garantía.

Visite o nosso website: www.audio-technica.com

Garantia limitada de dois anos

Os produtos da Audio-Technica comprados no Reino Unido e na UE/Europa têm uma garantia de dois anos da Audio-Technica Ltd., a partir da data de compra, contra defeitos nos materiais e fabrico. Em caso de defeitos, o produto será imediatamente reparado sem encargos ou, se assim decidirmos, substituído por um produto novo de valor igual ou superior, se o produto avariado for entregue à Audio-Technica Ltd., pré-pago, juntamente com o comprovativo de compra.

É necessária autorização prévia da Audio-Technica Ltd. para devolução. Esta garantia exclui defeitos devido a desgaste normal, abusos, danos de envio ou utilização incorreta do produto. Esta garantia é anulada em caso de uma reparação ou modificação não autorizada.

Para autorização de devolução e informações sobre o envio, contacte o departamento de assistência, Audio-Technica Ltd. Tel: +44 (0)113 277 1441.

Fora do Reino Unido, contacte um distribuidor local para informações sobre a garantia.

Посетите наш веб-сайт: www.audio-technica.com

Ограниченная двухлетняя гарантия

На продукцию, выпускаемую под брендом Audio-Technica и приобретаемую в Соединенном Королевстве и ЕС/Европе, компания Audio-Technica Ltd. предоставляет гарантию в отношении отсутствия дефектов материала и заводского брака сроком на два года со дня покупки. В случае обнаружения такого дефекта изделие будет бесплатно отремонтировано в кратчайшие сроки или, по нашему усмотрению, заменено на новое изделие аналогичной или большей стоимости, при условии что неисправное изделие было переслано компании Audio-Technica Ltd. предоплаченным отправлением вместе с документом, удостоверяющим факт покупки.

Перед возвратом изделия необходимо получить предварительное согласие компании Audio-Technica Ltd. Данная гарантия не распространяется на дефекты, возникшие вследствие естественного износа деталей, ненадлежащей эксплуатации изделия, повреждений при пересылке или в результате использования изделия с нарушением указаний, приведенных в настоящих инструкциях по эксплуатации. Несанкционированный ремонт изделия или внесение изменений в его конструкцию влечет за собой аннулирование гарантии.

Если Вам необходимо согласовать возврат изделия или получить информацию о его доставке, пожалуйста, обратитесь в отдел обслуживания,

Audio-Technica Ltd. Тел.: +44 (0)113 277 1441.

Для получения сведений о гарантии за пределами Соединенного Королевства, пожалуйста, обратитесь к ближайшему дилеру.

