

KEY FEATURES

- High power handling (200 W RMS)
- Excellent sensitivity (98 dB)
- Designed for medium frequencies reproduction

TECHNICAL SPECIFICATIONS

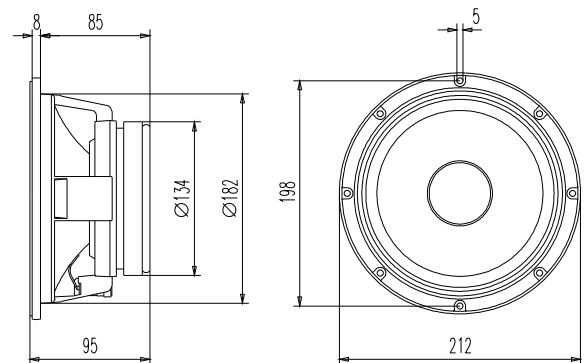
| | |
|--------------------------|-------------------|
| Nominal diameter | 200 mm. 8 in. |
| Nominal impedance | 4 ohms |
| Power handling / maximum | 200 W RMS / 400 W |
| Sensitivity | 98 dB 1w @ 1m |
| Frequency range | 150 - 7000 Hz |
| Voice coil diameter | 51.7 mm. 2 in. |
| Bl factor | 7.6 N/A |
| Moving mass | 0.018 Kg. |

THIELE-SMALL PARAMETERS

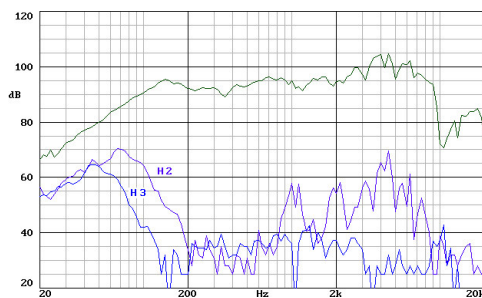
| | |
|-----------------------------------|---------------------|
| Resonant frequency, fs | 86 Hz |
| D.C. voice coil resistance, Re | 3.4 ohms. |
| Mechanical quality factor, Qms | 10.40 |
| Electrical quality factor, Qes | 0.56 |
| Total quality factor, Qts | 0.53 |
| Equivalent air volume to Cms, Vas | 14 l |
| Efficiency, ηo (%) | 1.5 |
| Effective surface area, Sd | 220 cm ² |
| Voice coil inductance, Le @ 1kHz | 0.3 mH |



DIMENSION DRAWINGS



FREQUENCY RESPONSE



Note: on axis frequency response measured with loudspeaker standing on infinite baffle in anechoic chamber, 1w @ 1m.

FREE AIR IMPEDANCE CURVE

