

### KEY FEATURES

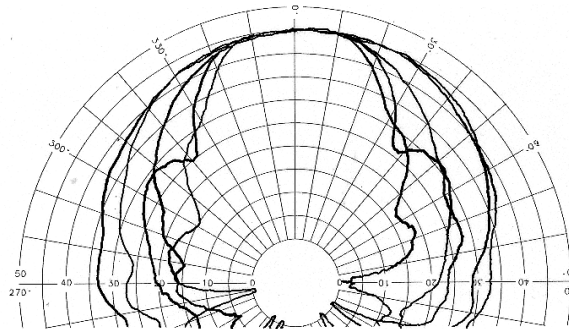
- 1.5" (37.6 mm) edgewound aluminium ribbon voice coil
- Great power handling: 25 w AES
- Aluminium diaphragm
- Precise directivity: 40° conical
- High Sensitivity: 107 dB
- Compression Tweeter designed for long-throw high frequency applications.



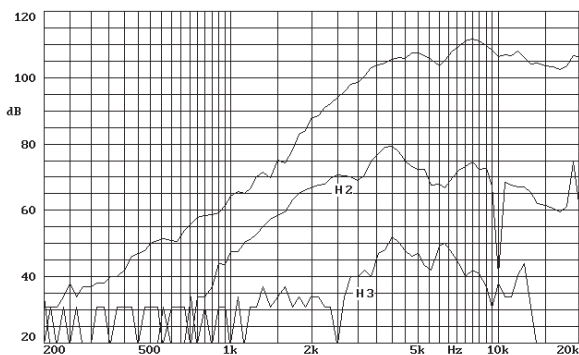
### GENERAL DESCRIPTION

This compression tweeter is designed for use in multi-element loudspeaker systems in sound reinforcement applications that require high output, narrow controlled dispersion and long throw. This model produces a very high output level with flat response and excellent transient attack. This unit features an aluminium voice coil diaphragm assembly, which is field replaceable without soldering.

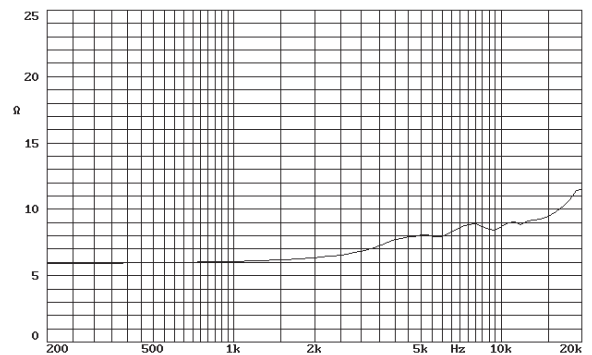
### HORIZONTAL POLAR PATTERN



### FREQUENCY RESPONSE AND DISTORTION CURVES



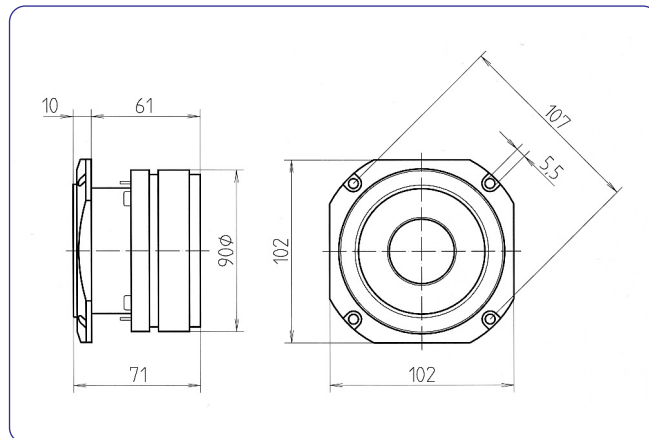
### FREE AIR IMPEDANCE CURVE



**TECHNICAL SPECIFICATIONS**

<b>Rated impedance</b>		8 ohms.
<b>Minimum impedance</b>	8.5 ohms. @ 9 kHz	
<b>D.C. Resistance</b>		6.1 ohms.
<b>Power capacity*</b>		25 w AES
<b>Program Power</b>		50 w
<b>Sensitivity**</b>	107 dB 1w @ 1m.	
<b>Frequency range</b>		4 - 20 kHz
<b>Recommended crossover</b>		5 kHz or higher
<b>Dispersion H x V</b>		40° conical
<b>Voice coil diameter</b>	37.6 mm. 1.5 in.	
<b>Magnetic assembly weight</b>	1.2 kg. 2.64 lb.	
<b>Flux density</b>		1.55 T
<b>BL Factor</b>		5.2 N/A

**DIMENSION DRAWINGS**



**MOUNTING INFORMATION**

<b>Overall diameter</b>	102 x 102 mm.	4 x 4 in.
<b>Depth</b>	71 mm.	2.79 in.
<b>Baffle cutout dimensions</b>	ø 92 mm.	3.62 in.
<b>Bolt circle diameter</b>	107 mm.	4.21 in.
<b>Net weight</b>	1.6 kg.	3.5 lb.
<b>Shipping weight</b>	1.67 kg.	3.67 lb.

**Notes:**

\*The power capacity is determined according to AES2-1984 (r2003) standard. Program power is defined as the transducer's ability to handle normal music program material.

\*\*Sensitivity was measured at 1 m distance, on axis, with 1 w input, averaged in the range 3-15 kHz

**MATERIALS**

- **Diaphragm:** Aluminium
- **Voice coil:** Edgewound aluminium ribbon
- **Voice coil former:** Kapton
- **Magnet:** Ferrite



acústica beyma, s.a.