



Loving music

Innovation Compact

User manual



Innovation Compact Black
Picture: Package with
Clearaudio tonearm „Magnify“
und Clearaudio cartridge
„Stradivari V2 MC“.



Innovation Basic Wood
Picture: Package with
Clearaudio tonearm „Magnify“
und Clearaudio cartridge
„Stradivari V2 MC“.

Pic. similar

User manual

Dear **Clearaudio** customer,

Congratulations to your choice of the *Innovation Compact* turntable, a world class turntable, handmade in Germany by **Clearaudio** electronic GmbH.

Resonance minimizing chassis sandwich construction in combination with the innovative motor unit (low noise level and high turning moments), guarantees total isolation of resonances from the turntable chassis, providing the best music reproduction and authentic High End imaging. A high precision, maintenance free sinter bronze bearing is completing the analogue pleasure.

The **Clearaudio** patented CMB-Bearing-Technology, an inverted bearing with jewelled and polished ceramic bearing shaft and a bronzed liner, provides frictionless analog enjoyment.

Please read this instruction manual carefully, to avoid any damages or loss of warranty. This manual will help you for an easy setup and guarantees the highest pleasure for a long time.

We wish you a lot of musical enjoyments with your new **Clearaudio** *Innovation Compact* turntable.

Clearaudio electronic GmbH



Safety instructions

1. General information

Check the turntable for any damage before using it. Do not connect the turntable if damaged!

Never connect the turntable if it has been dropped or gotten wet, contact your dealer to have the turntable checked.

Never expose the turntable to rain or moisture.

Never touch the power cord of the device with wet hands.

Regular visual inspections for defective insulation on the connection cable are also recommended for your own safety. A damaged cable should be replaced immediately by a specialist!

Never pull on the power cord to unplug the device. Always pull directly on the plug!

The inside of the turntable is maintenance free. Never open the case or attempt to repair the unit yourself, since this can lead to loss of warranty!

We recommend disconnecting the power supply from the mains if you do not operate the device for a longer period of time.

The turntable does not feature an automatic shut-off mechanism.

Therefore, as soon as the stylus has reached the run-out groove, engage the tonearm lift and switch the turntable off.

Not suitable for children! Scope of delivery may contain small parts that can be swallowed.

2. Intended use

The *Innovation Compact* is a turntable for playing records.

The intended use of the *Innovation Compact* in accordance with the information provided in the user manual only.

The power supply may only be operated with maximum permissible connection values according to the technical data. Any other use or modification of this product is not intended.

3. Location of installation

Avoid locations with direct sunlight, temperature fluctuations and high humidity.

Likewise, avoid placing electronic devices near heaters, heat lamps, or other devices that produce heat.

The device is designed for operation at room temperature.

No objects with an open flame may be placed on or near the device (burning candles or similar).

4. Overload

The product is designed to comply with all necessary safety regulations. However, you should not leave the device unattended under extreme loads.

5. Maintenance

Never use aggressive cleaning detergent.

Do not use dry cloths for cleaning as this generates static electricity. Suitable cleaning and care products from **Clearaudio** are available from www.analogshop.de or from specialist retailers.

The bearing of the turntable platter can be lubricated every 2 years with the oil provided. Put 1 or 2 drops of the oil into the bearing for lubrication.

6. Health information

Permanently high volume can lead to various types of hearing damage. Use high volume responsibly!

7. Service

The *Innovation Compact* turntable should be repaired during the guarantee period by the manufacturer only, otherwise the warranty claim expires. All **Clearaudio** products should only be serviced by specialist retailers.

If, despite the high production standard, a service is necessary, the *Innovation Compact* turntable must be send to **Clearaudio** through your dealer.

8. Transport

Use the original packing material for further transportation of the *Innovation Compact* turntable, otherwise serious damage could occur.

Be sure to pack the device exactly as it was shipped.

Safe transport is only guaranteed in the original packaging.

Proceed in reverse as described for assembly when packing.

Always remove the turntable platter and replace the foam securing the sub-platter and cover the bearing with tape as well. Otherwise serious damage can occur.

Remove also the pulley from the motor axle to avoid any damage during transport.

Clearaudio assumes no liability for any damage that may occur due to incorrect packing.

9. Disposal



Do not dispose this product together with other waste.
WEEE Reg. No.: DE26004446

10. CE Marking



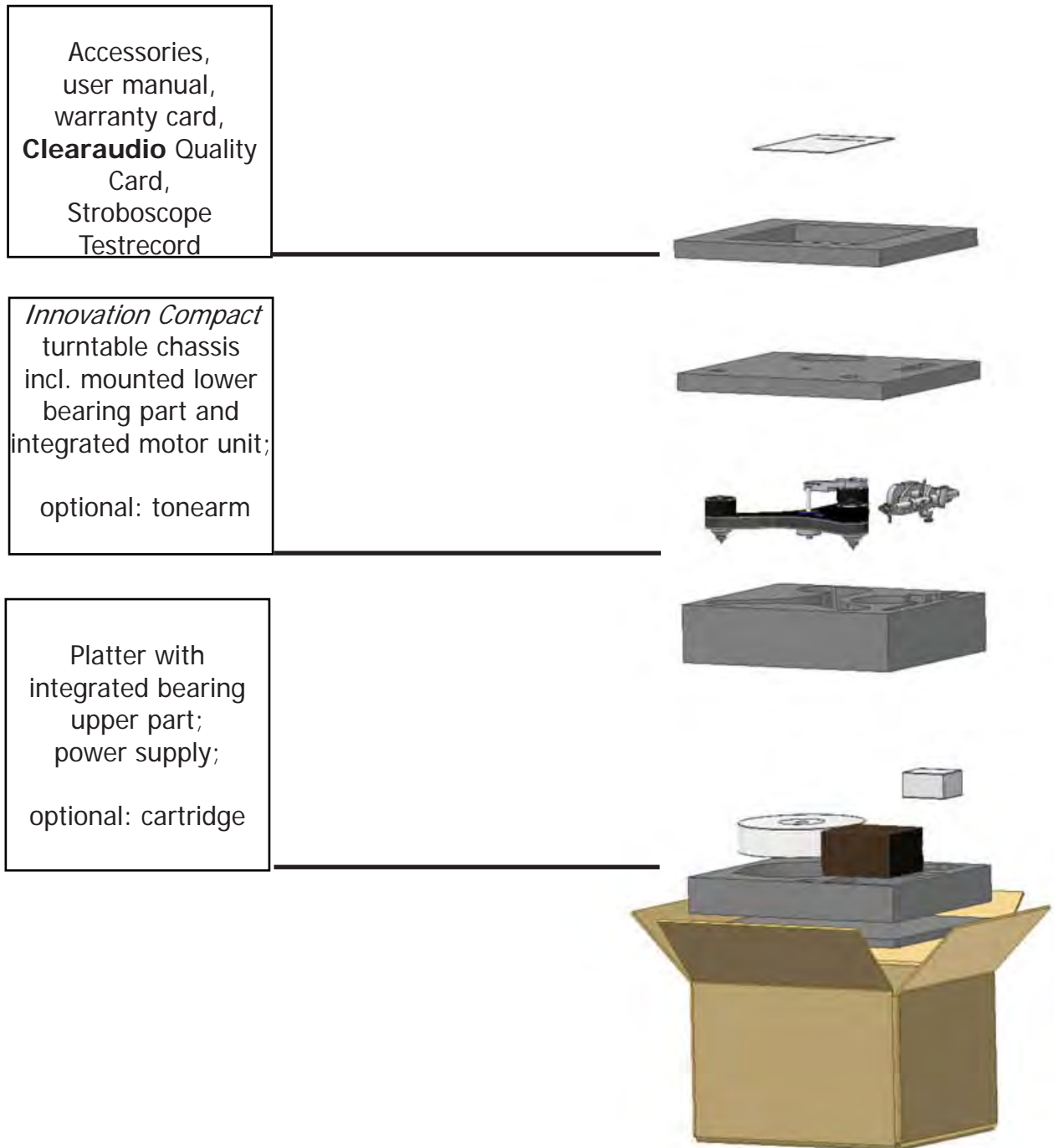
This electronic product corresponds to the applicable guidelines for obtaining the CE mark.



Contents

1. Packing overview	6
2. List of components	7 - 8
3. Installation and setup	9 - 12
4. Fine adjustment of the motor	13
5. Troubleshooting	14 - 15
6. Technical data	16
Warranty information.....	17 - 18
User manual Stroboscope Testrecord	19 - 20

1. Packing overview



2. List of components

Clearaudio has developed a special and secure packing for your *Innovation Compact* turntable that ensures a safe transportation.

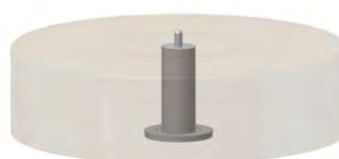
Please keep this original packing, if you need to ship the turntable.

Below you find the part list of the **Clearaudio** *Innovation Compact* turntable:

1



2



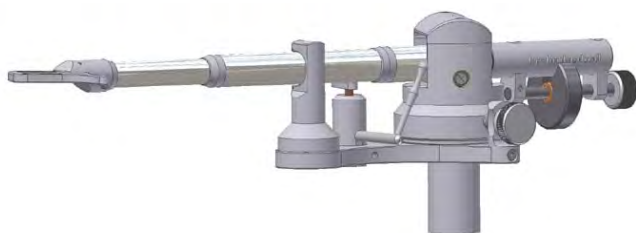
3



4



5a



5b



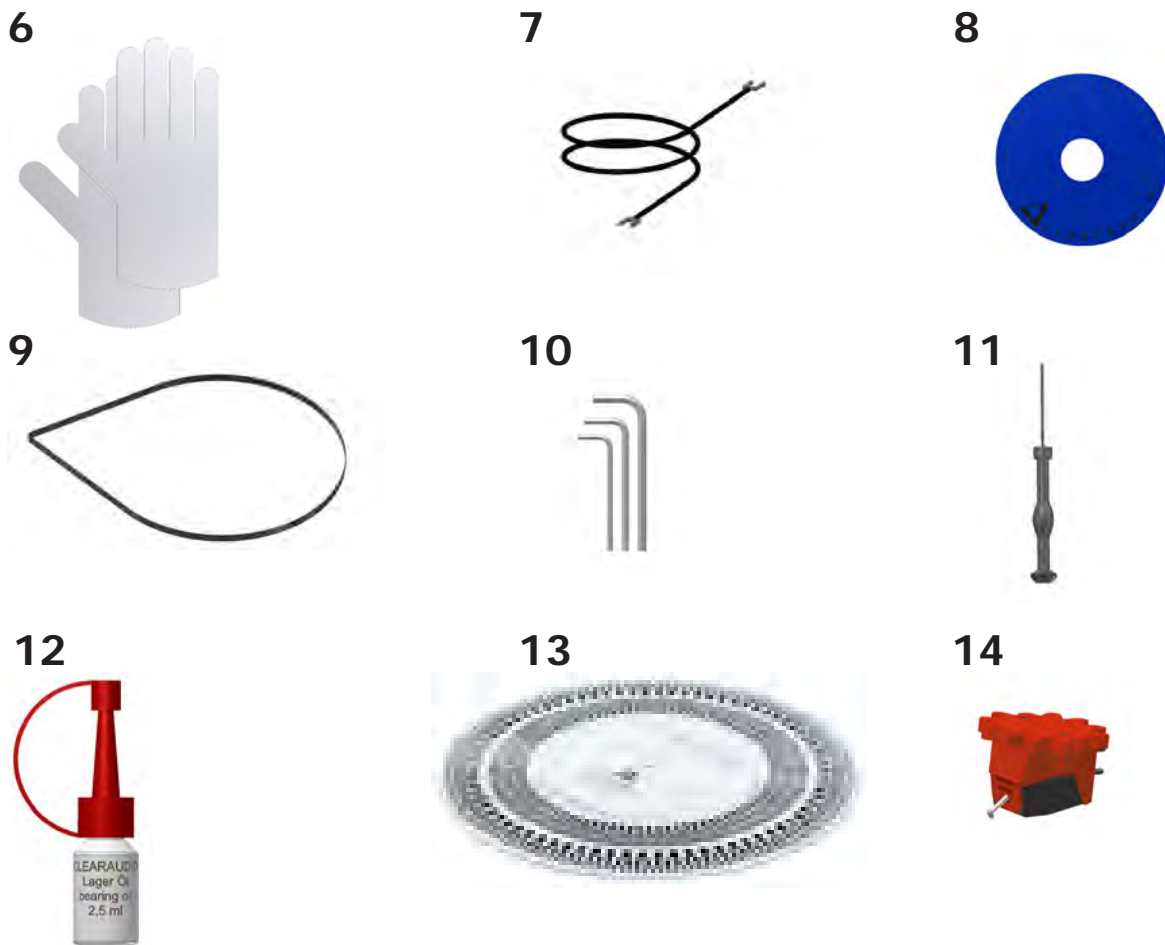
Pic. 5a: Clearaudio *Universal* tonearm

Pic. 5b: Clearaudio *Magnify* tonearm

Pic. 2: List of components

1.	Turntable body with mounted lower bearing part	4.	3x Flat Pads
2.	Platter with integrated upper bearing part	5.	Optional: Clearaudio <i>Universal</i> (Fig. 5 a) or <i>Magnify</i> (Fig. 5 b) tonearm Optional: 30 mm base for Universal tonearm (not shown)
3.	Power supply		

Continuation of list



Pic. 2.1: List of components

6.	1 Pair of white gloves	12.	Bearing oil for occasional use
7.	Grounding - wire for the <i>Innovation</i> turntable (to connect in the bottom bearing part)	13.	Clearaudio Stroboscope Testrecord (Art. No. AC038) to adjust the exact speed
8.	Level gauge for the turntable alignment	14.	Optional in package: Clearaudio MC cartridge
9.	1 pcs. flat belt	15.	Optional in package: Turntable + tonearm + cartridge No illustration: cartridge alignment gauge for <i>Magnify</i> or <i>Universal</i> tonearm (optional)
10.	4 pcs. hex wrench; sizes: # 1,5/# 2,5/#3/#7	16.	Not shown: warranty card, Clearaudio Quality certificate card
11.	Screw driver	17.	Not shown: User Manual

IMPORTANT NOTICE:

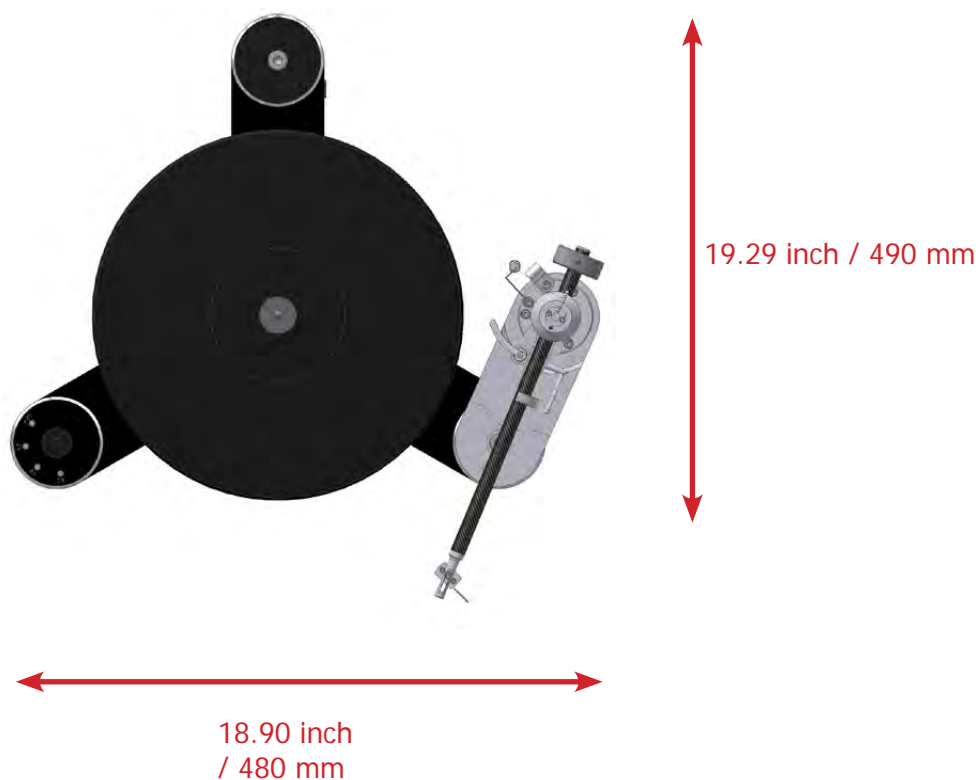
Please double check the tightness of all bolts, hardware, and mounting pods, as temperature fluctuations during transit may have caused the hardware to become loose.

3. Installation and setup

The setup of the *Innovation Compact* turntable is easy as the turntable chassis is pre-assembled and has been tested at the factory.

Please use the white gloves enclosed in order to avoid scratches or unwanted fingerprints (platter).

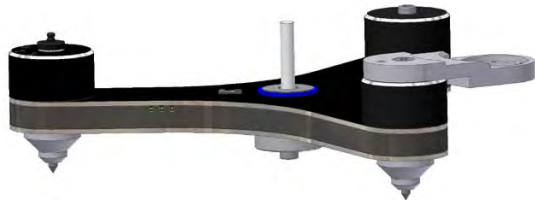
The *Innovation Compact* turntable requires a space for setup of at least 18.90 inch x 19.29 inch.



Pic. 3: Required setup space

Please follow the description step by step:

- 1.) First take out the three black flat pads out of the accessory bag. Place these flat pads on your hifi-rack or another suitable base, where the final position of your *Innovation Compact* turntable will be.
- 2.) After that, take the *Innovation Compact* turntable body of the next packing layer and place the spikes of the turntable on the flat pads.



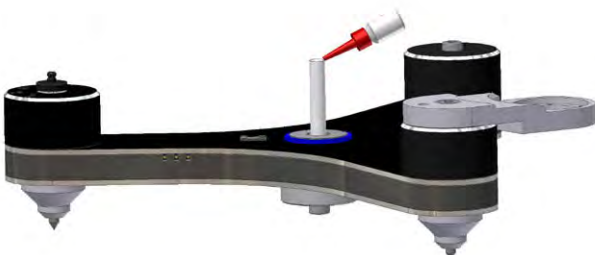
Pic. 4: *Innovation Compact* with tonearm base

- 3.) To avoid hum noises it can be necessary to ground the bearing. For that please plug in the provided ground cable into the hole of the screw from the bearing at the bottom side of the turntable.



Pic. 5: Grounding the bearing of the *Innovation Compact*

- 4.) Remove the protective security tape from the bearing housing. Place two drops of the synthetic bearing oil on the ceramic bearing shaft (also available at www.analogshop.de / Art. No. AC068).



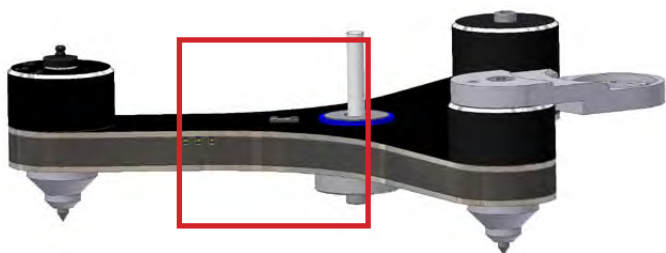
Pic. 6: Oiling the bearing shaft

User manual

5.)

In the next step remove the lamination of the sensor, mounted on the turntable chassis (picture 7: red frame).

Please remove the lamination extreme carefully and avoid any soiling and scratches.



Pic. 7: Removing the lamination

6.)

6.1)

Take the platter with both hands (with white gloves) carefully out of the packing.

Please pay attention that the integrated bearing does not fall out of the platter!

The flat side of the platter should face to the chassis and the side with the cut-out (for the record) should face up.

6.2)

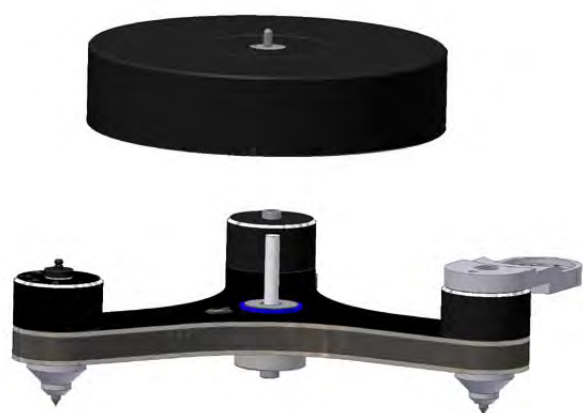
In the next step remove the lamination of the sensor on the bottom side of the platter.

Please remove the lamination extreme carefully and avoid any soiling and scratches.

6.3)

With both hands you can place the platter carefully onto the bearing.

Through a lightly (!!) up and down movement the platter will slip onto the bearing upper part (picture 8).



Pic. 8: Setting up the platter

Avoid major side forces to prevent any damages to the ceramic bearing!

To avoid any damages on your bearing, the platter should have room temperature before the setup begin (approx. 20 ° Celsius).

Make sure with gentle pressure that the platter is applying on the complete surface of the bearing.

7.)

To install the tonearm and / or to mount and adjust a cartridge, please follow the user manual of the manufacturer.

8.)

The following final adjustment is very important:

Please ensure that your turntable rack is in a levelled position.

Please check with the delivered level gauge, if your *Innovation Compact* turntable is in a levelled position.

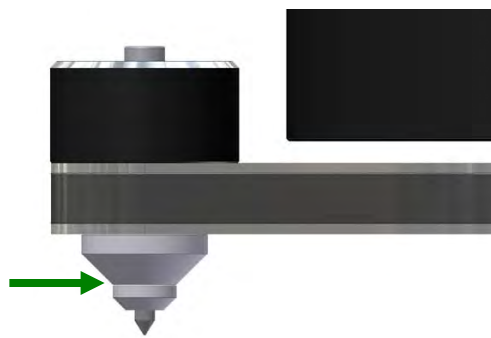
You can adjust each of the turntables feet to get the turntable levelled (Pic. 9).

To adjust the height, first turn the middle part of the feet (Pic. 10 a; green arrow), then you can twist the end part (Pic. 10 b, red frame) to the desired height.

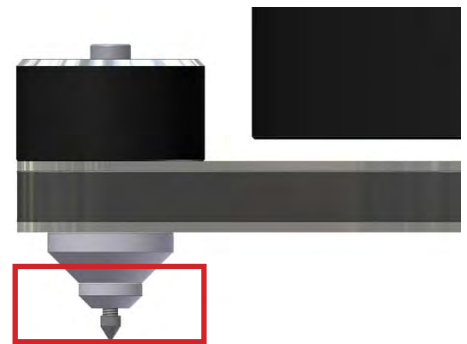
After the adjustment, please make sure, to turn the middle part again to fix the selected position.



Pic. 9: Alignment of the turntable



Pic. 10 a: Middle part



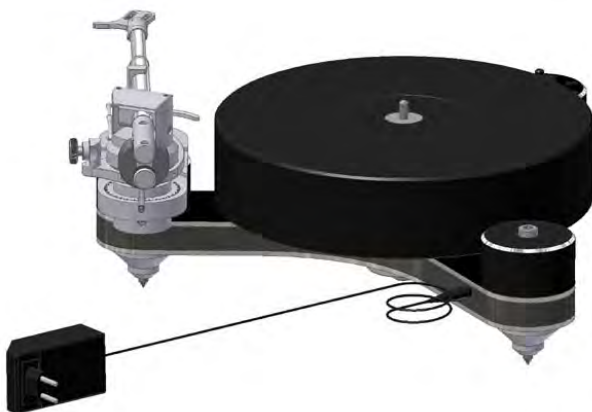
Pic. 10 b: End part

Only if the turntable is in a levelled position you will get the best results with your *Innovation Compact* turntable.

9.)

Please connect the plug of the power supply with the linkage of the turntable.

After that connect the power supply with the electric power supply.



Pic. 11: Connection of power supply and motor

10.)

Place the flat belt around the platter and around the motor pulley.

By pushing the sensor-switch, marked with "33 1/3" on the motor, the turntable starts to spin until 33 1/3 rpm is reached.

After the initial setup we recommend to let the turntable spin for at least 15 to 30 minutes.

This ensures a smoother break in.

4. Fine adjustment of the *Innovation Compact* motor

The motor adjustment is already pre-set at the factory. Through the transport some small speed deviations can occur. Please check the speed before using the turntable for the first time.

For the correct adjustment of the speed please put the recommended **Clearaudio Stroboscope Testrecord** on the platter. Follow hereby the instruction of the *Stroboscope Testrecord* user manual. To check the speed with highest accuracy please use the Clearaudio Speed Light (Art. No. AC039) (www.analogshop.de).

On the front side of your turntable there are three setting trimmers (see pic. 11).



- Left trimmer = setting 33 1/3 rpm
(near turntable motor)
- Middle trimmer = setting 45 rpm
- Right trimmer = setting 78 rpm
(near turntable bearing)

Pic. 12: Fine adjustment of the motor (on the frontside)

If you like to adjust the speed 33 1/3 rpm, take the Aluminum screw driver (see accessories) and turn the left trimmer until you have reached the right speed according to the Stroboscope Testrecord (see user manual *Stroboscope Testrecord*).

- Turning the trimmer counter clockwise = reduces the turntable speed
- Turning the trimmer clockwise = raises the turntable speed

Please proceed with the speed adjustment for 45 rpm and 78 rpm in the same way!

Please note:

If the turntable does not reach the correct speed, the sensor or the scale ring could be dirty or dusty. To clean the sensor, please take off the platter very carefully!

Clean the sensor and the scale ring with a little isopropyl alcohol and a cotton bud.

Be careful and avoid any scratches on the sensor or the scale ring!

If the motor has further more speed variations please contact your nearest authorized **Clearaudio** dealer or directly the **Clearaudio** factory (address on page 13).

If the turntable is not in use, disconnect the unit completely from the power supply by removing the main plug from the socket.

Now you are finally ready to play your vinyl records.

We wish you a lot of pleasure with your new *Innovation Compact* turntable.

5. Troubleshooting

If you have a problem with your *Innovation Compact* turntable, first check the possible causes to rule out incorrect operation.

If the error persists, please contact your dealer!

Never try to open the device and/or repair it yourself, this will void the warranty!

Error	Cause	Measure
Device does not work	Is the power cord plugged in?	Check the connection.
No sound	The tonearm and phono stage are not properly connected.	Check the cable connection between the tonearm and the phono stage.
	Is the amp turned on?	Check the power supply to the amplifier.
	The volume on the amplifier/loudspeaker is set too low or on „mute“.	Check the volume settings.
	Is the cartridge protective cap still attached?	Remove the cartridge's protective cap.
	Is the tonearm in the raised position?	Lower the tonearm into the lead-in groove.
	Is the stylus damaged?	Check the stylus and have the cartridge checked by a specialist if necessary.
Bad sound / noise	Is the record or the stylus dirty or damaged?	Clean the record / or the cartridge. Clearaudio offers many helpful accessories for care and cleaning. In the event of damage, we recommend an assessment by a specialist and, if necessary, an exchange.
	Is the cartridge properly mounted into the tonearm?	Check the installation using the relevant user manual and correct them if necessary.
	Has the tracking force been set too high?	Adjust the tracking force.
	Is the correct operating mode (MM / MC) set on the amplifier?	Check the settings of your phono stage.
	The pre/amp does not have enough gain.	Check the settings of your phono stage.
	Pre/amp is mismatched.	Swap the plugs of the turntable that are connected to the left and right outputs.



Needle bounces or slides across record	Is the record or the stylus dirty or damaged?	Clean the record / or the cartridge. Clearaudio offers many helpful accessories for care and cleaning. In the event of damage, we recommend an assessment by a specialist and, if necessary, an exchange.
	Has the tracking force been set too high?	Adjust the tracking force.
	Is the record deformed or scratched?	Use a record clamp or replace the record.
	Is the turntable level?	Check the alignment of the turntable and adjust if necessary.
Platter does not turn	Is the drive belt properly attached?	Check the position of the drive belt.
	Is the power cord connected properly?	Check the connection.
	No speed was selected / speed selection in position „0“/“OFF“.	Select a speed and start the turntable.
Noisy sound	Is the drive belt properly attached?	Check the position of the drive belt. Is it too loose and needs to be changed?
Humming noises	Contact problems with the signal connections (e.g. cinch plugs, adapters for extensions)	Check all connections; reduce the level on the (pre-)amplifier to a low volume for acoustic checking of gross errors.
	Metal housing acts as an antenna and catches hum.	It can be helpful for conductivity to connect the metal parts of the turntable to the ground of the (phono) preamplifier. The turntable provides a grounding terminal for this purpose. Use a sufficiently thick wire to establish the ground connection.
	The pickup pins are mixed up, not connected correctly or defective.	Check the pin assignment of the pickup.
The music doesn't sound like usual	Wrong speed selected.	Check the record for recommended speed. There are also records in LP format (30 cm) that have to be played at 45 rpm ("maxi singles") and small records in single format (17 cm) that have to be played at 33 rpm (so-called "EP's").
	The turntable is spinning too fast/too slow.	Adjust the speed according to the operating instructions.

6. Technical data

Construction details:	<ul style="list-style-type: none"> • Resonance-optimised chassis shape • Made of bullet proof wood and aluminium with precision CNC machined surface • All turntable feet are finely adjustable • Playback with two tonearms possible
Speed options:	33 1/3, 45, 78rpm
Drive unit:	<ul style="list-style-type: none"> • High torque 24V DC motor exclusively made for Clearaudio; Optical Speed Control (OSC) in real time through infrared sensor • Decoupled DC motor in chassis; resonance damping device; belt-drive
Bearing:	Clearaudio CMB ceramic magnetic bearing in main platter / upper drive platter assembly. Inverted bearing in lower drive platter.
Platter:	70mm / 2.75 inch main platter, made out of synthetic material with high-density and excellent dimension stability, precision CNC machined surface, solid stainless steel sub-platter, dynamically balanced
Speed accuracy (measured):	< ± 0.08%
Power consumption:	Max. consumption: 9.3 watts Consumption in operation: 2.5 watts Standby mode: 2.5 watts Off mode: 0.0 watts
Total weight:	Approx. 12kg (without tonearm and power supply)
Dimensions (W/D/H):	Approx. 18.11 x 19.09 x 6.18 inches (with tonearm base, without tonearm)
Dimensions (W/D/H):	Approx. 460 x 485 x 157mm (with tonearm base, without tonearm)
Manufacturer's warranty:	5 years*

* Provided that the warranty card is correctly completed and returned to **Clearaudio**, or your product is registered online at <https://clearaudio.de/en/service/registration.php>, within 14 days of purchase.



Loving music

User manual

The full, extended warranty period for the *Innovation Compact* turntable is 5 years. To receive this full **Clearaudio** warranty, you must either complete and return the relevant section of the warranty registration card to **Clearaudio**, or register your product online at <https://clearaudio.de/en/service/registration.php>, within 14 days of purchase. Otherwise only the legal warranty can be considered.

The full 5 year warranty can only be honoured if the product is returned in its original packing.

ENGLISH WARRANTY

For warranty information, contact your local **Clearaudio** distributor.

RETAIN YOUR PURCHASE RECEIPT

Your purchase receipt is your permanent record of a valuable purchase. It should be kept in a safe place to be referred to as necessary for insurance purposes or when corresponding with **Clearaudio**.

IMPORTANT

When seeking warranty service, it is the responsibility of the consumer to establish proof and date of purchase.

Your purchase receipt or invoice is adequate for such proof.

FOR U.K. ONLY

This undertaking is in addition to a consumer's statutory rights and does not affect those rights in any way.

FRANÇAIS GARANTIE

Pour des informations sur la garantie, contacter le distributeur local **Clearaudio**.

CONSERVER L'ATTESTATION D'ACHAT

L'attestation d'achat est la preuve permanente d'un achat de valeur. La conserver en lieu sûr pour s'y reporter aux fins d'obtention d'une couverture d'assurance ou dans le cadre de correspondances avec **Clearaudio**.

IMPORTANT

Pour l'obtention d'un service couvert par la garantie, il incombe au client d'établir la preuve de l'achat et d'en corroborer la date. Le reçu ou la facture constituent des preuves suffisantes.

DEUTSCH GARANTIE

Bei Garantiefragen wenden Sie sich bitte zunächst an Ihren **Clearaudio** Händler. Heben Sie Ihren Kaufbeleg gut auf.

WICHTIG!

Die Angaben auf Ihrer Quittung erlauben uns die Identifizierung Ihres Gerätes und belegen mit dem Kaufdatum die Dauer Ihrer Garantie-Ansprüche. Für Serviceleistungen benötigen wir stets die Gerätenummer. Diese finden Sie auf dem Typenschild auf der Rückseite des Gerätes oder auch in der beigegefügte Garantie-Registrierkarte.

NEDERLANDS GARANTIE

Voor inlichtingen omtrent garantie dient u zich tot uw plaatselijke **Clearaudio**.

UW KWITANTIE, KASSABON E.D. BEWAREN

Uw kwitantie, kassabon e.d. vormen uw bewijs van aankoop van een waardevol artikel en dienen op een veilige plaats bewaard te worden voor evt, verwijzing bijv, in verbind met verzekering of bij correspondentie met **Clearaudio**.

BELANGRIJK

Bij een evt, beroep op de garantie is het de verantwoordelijkheid van de consument een gedateerd bewijs van aankoop te tonen. Uw kassabon of factuur zijn voldoende bewijs.

ITALIANO GARANZIA

L'apparecchio è coperto da una garanzia di buon funzionamento della durata di un anno, o del periodo previsto dalla legge, a partire dalla data di acquisto comprovata da un documento attestante il nominativo del Rivenditore e la data di vendita. La garanzia sarà prestata con la sostituzione o la riparazione gratuita delle parti difettose. Non sono coperti da garanzia difetti derivanti da uso improprio, errata installazione, manutenzione effettuata da personale non autorizzato o, comunque, da circostanze che non possano riferirsi a difetti di funzionamento dell'apparecchio. Sono inoltre esclusi dalla garanzia gli interventi inerenti l'installazione e l'allacciamento agli impianti di alimentazione.

Gli apparecchi verranno riparati presso i nostri Centri di Assistenza Autorizzati. Le spese ed i rischi di trasporto sono a carico del cliente. La casa costruttrice declina ogni responsabilità per danni diretti o indiretti provocati dalla inosservanza delle prescrizioni di installazione, uso e manutenzione dettagliate nel presente manuale o per guasti dovuti ad uso continuato a fini professionali.

ESPAÑOL GARRANTIA

Para obtener información acerca de la garantía póngase en contacto con su distribuidor **Clearaudio**.

GUARDE SU RECIBO DE COMPRA

Su recibo de compra es su prueba permanente de haber adquirido un aparato de valor, Este recibo deberá guardarlo en un lugar seguro y utilizarlo como referencia cuando tenga que hacer uso del seguro o se ponga en contacto con **Clearaudio**.

IMPORTANTE

Cuando solicite el servicio otorgado por la garantía el usuario tiene la responsabilidad de demostrar cuándo efectuó la compra. En este caso, su recibo de compra será la prueba apropiada.

Stroboscope Testrecord



The **Clearaudio Stroboscope Testrecord** satisfies the highest demands for an exact speed adjustment for turntables. Dramatic sound improvements can be reached only with exact calibrated speeds.

- Optimal adjustment for turntables -



To adjust the exact speed, please choose the side for 50 / 60 Hz, or the other side for the use with the speed light first. If you choose the side without the speed light source, you can use the regular light source for the installation, either 50 Hz (outer scales) or 60 Hz. The scales are graduated in three different reading options: 33.3 Hz, 45 Hz and 78 Hz (starting from the outer diameter).

Please place the *Stroboscope Testrecord* on your turntable platter and start the engine of your turntable. The big advantage of the **Clearaudio Stroboscope Testrecord** is, that you can place your cartridge onto the *Stroboscope Testrecord*, while measuring the speed, as there are grooves provided on the disc. This means, for the first time a real time speed analysis is possible under realistic circumstances.

If you have the impression that the horizontal lines move on the scale, you should set or readjust the speed of the motor again.

- If the lines move clockwise, the speed is too fast.
- If the lines move counter clockwise, the motor speed is too slow.

Please correct the speed on your motor or turntable until you have the impression that the lines stopped moving. After that you have reached the exact speed and you can enjoy the full potential of your vinyl collection again.



If you use the *Speed Light* (Art. No. AC039) you can reach an even higher or more accurate adjustment, completely independent of the power line or frequency of your country. As well, the 300 Hz calibrated light, used as an external light source is completely independent from possible power line fluctuations, which could influence the result by regular light. The 300 Hz of the *Speed Light* are generated by a stabilized quartz oscillator and permit a very exact adjustment. Please put the *Stroboscope Testrecord* with the fine lines upward on your turntable. Here you also have the possibility to choose between two different speeds.

With the outside scale you can detect the speed of 33 Hz and with the inside scale you can detect the speed of 45 Hz. Again, the big advantage of the **Clearaudio** *Stroboscope Testrecord* is, that you can place your cartridge onto the stroberecord, while measuring the speed, as there are grooves provided on the disc. This means, for the first time a real time speed analysis is possible under realistic circumstances.

Press the button of the *speed light* source and place it parallel over to the scale and adjust the motor or turntable speed until the horizontal lines do not move anymore.

- Tip -

As more accurate your turntable speed is adjusted, as better the overall sonic appearance of the record playback will be!

It is mandatory to check the speed several times through out the year, to ensure that other influences are not minimizing the sound quality.

Technical Data:

Speed Light

Light source: Blue LED / 300 Hz precision light source (calibrated)

Battery: V23GA – 12 V – Alkaline (Art. No.: AC039/B)

(Technical changes are subject without notification)

Date: 2024-01

Clearaudio electronic GmbH

Spardorfer Str. 150

91054 Erlangen

Germany

Phone: +49 9131 40300 100

Fax: +49 9131 40300 119

www.clearaudio.de

www.analogshop.de

info@clearaudio.de







Loving music

clearaudio electronic GmbH

Spardorfer Straße 150
91054 Erlangen
Germany

Phone /Tel.: +49 9131 40300 100

Fax: +49 9131 40300 119

www.clearaudio.de

www.analogshop.de

info@clearaudio.de



Handmade in Germany

Clearaudio Electronic accepts no liability for any misprints.

Technical specifications are subject to change or improvement without prior notice.

Product availability is as long as astock lasts.

Copies and reprints of this document, including extracts, require written consent from

Clearaudio Electronic GmbH, Germany.

2024