

## INTERFACE 2

AUDIO INTERFACE  
INTERFACE AUDIO  
AUDIOSCHNITTSTELLE  
INTERFACCIA AUDIO  
AUDIO-INTERFACE  
INTERFAZ DE AUDIO  
INTERFACE DE ÁUDIO  
ИНТЕРФЕЙС АУДИО

[pioneerdj.com/support/  
rekordbox.com/](http://pioneerdj.com/support/rekordbox.com/)

The Pioneer DJ site shown above offers FAQs, information on software, and various other types of information and services to allow you to use your product in greater comfort.

Le site Pioneer DJ indiqué ci-dessus propose une FAQ, des informations sur le logiciel et divers types d'informations et de services qui permettent une utilisation plus confortable de ce produit.

Die oben angegebene Pioneer DJ-Website enthält häufig gestellte Fragen, Informationen über Software und andere wichtige Informationen und Dienste, die Ihnen helfen, Ihr Produkt optimal zu verwenden.

Il sito Pioneer DJ indicato qui sopra offre una sezione FAQ, informazioni sul software ed informazioni e servizi di vario tipo, per permettere un uso più confortevole dei nostri prodotti.

Op bovengenoemde Pioneer DJ website vindt u FAQ's, informatie over software, en andere informatie en diensten voor nog meer gebruiksgemak van uw product.

El sitio de asistencia Pioneer DJ mostrado arriba ofrece las preguntas frecuentes, información del software y varios otros tipos de información y servicios que le permitirán usar su producto con mayor confort.

O site de suporte da Pioneer DJ mostrado acima oferece FAQs, informações sobre o software e outros tipos de informações e serviços para permitir utilizar o produto com um maior conforto.

На указанном выше сайте поддержки Pioneer DJ содержатся раздел часто задаваемых вопросов, информация по программному обеспечению, а также различные другие типы информации и услуг, позволяющие использовать ваше изделие более лучшим образом.

Operating Instructions (Quick Start Guide)

Mode d'emploi (Guide de démarrage rapide)

Bedienungsanleitung (Kurzanleitung)

Istruzioni per l'uso (Guida di avvio veloce)

Handleiding (Snelstartgids)

Manual de instrucciones (Guía de inicio rápido)

Manual de instruções (Guia de início rápido)

Инструкции по эксплуатации (Краткое руководство пользователя)

Thank you for buying this Pioneer DJ product. Please read through these operating instructions so you will know how to operate your model properly. After you have finished reading the instructions, put them away in a safe place for future reference. In some countries or regions, the shape of the power plug and power outlet may sometimes differ from that shown in the explanatory drawings. However the method of connecting and operating the unit is the same.

### CAUTION

TO PREVENT THE RISK OF ELECTRIC SHOCK, DO NOT REMOVE COVER (OR BACK). NO USER-SERVICEABLE PARTS INSIDE. REFER SERVICING TO QUALIFIED SERVICE PERSONNEL.

D3-4-2-1-1\_B1\_En

### WARNING

This equipment is not waterproof. To prevent a fire or shock hazard, do not place any container filled with liquid near this equipment (such as a vase or flower pot) or expose it to dripping, splashing, rain or moisture.

D3-4-2-1-3\_A1\_En

### WARNING

To prevent a fire hazard, do not place any naked flame sources (such as a lighted candle) on the equipment.

D3-4-2-1-7a\_A1\_En

### Operating Environment

Operating environment temperature and humidity: +5 °C to +35 °C (+41 °F to +95 °F); less than 85 %RH (cooling vents not blocked)

Do not install this unit in a poorly ventilated area, or in locations exposed to high humidity or direct sunlight (or strong artificial light).

D3-4-2-1-7c\*\_A2\_En

### CAUTION

This product is evaluated in moderate and tropical climate condition.

D3-8-2-1-7a\_A1\_En

### VENTILATION CAUTION

When installing this unit, make sure to leave space around the unit for ventilation to improve heat radiation (at least 5 cm at rear, and 3 cm at each side).

D3-4-2-1-7d\*\_A1\_En

The graphical symbol  placed on the product means alternating current.

The graphical symbol  placed on the product means direct current.

The graphical symbol  placed on the product means Class II equipment.

When using this product, confirm the safety information shown on the bottom of the unit.

D3-4-2-2-4\_B1\_En

### WARNING

Store small parts out of the reach of children and infants. If accidentally swallowed, contact a doctor immediately.

D41-6-4\_A1\_En

### POWER-CORD CAUTION

Handle the power cord by the plug. Do not pull out the plug by tugging the cord and never touch the power cord when your hands are wet as this could cause a short circuit or electric shock. Do not place the unit, a piece of furniture, etc., on the power cord, or pinch the cord. Never make a knot in the cord or tie it with other cords. The power cords should be routed such that they are not likely to be stepped on. A damaged power cord can cause a fire or give you an electrical shock. Check the power cord once in a while. When you find it damaged, ask your nearest service center or your dealer for a replacement.

S002\*\_A1\_En

This product is for general household purposes. Any failure due to use for other than household purposes (such as long-term use for business purposes in a restaurant or use in a car or ship) and which requires repair will be charged for even during the warranty period.

### CAUTION

Since the power cord serves as the main disconnect device for the unit, you will need to unplug it from the AC outlet to shut down all power. Therefore, make sure the unit has been installed so that the power cord can be easily unplugged from the AC outlet in case of an accident. To avoid fire hazard, the power cord should also be unplugged from the AC outlet when left unused for a long period of time (for example, when on vacation).



If you want to dispose this product, do not mix it with general household waste. There is a separate collection system for used electronic products in accordance with legislation that requires proper treatment, recovery and recycling.

Private households in the member states of the EU, in Switzerland and Norway may return their used electronic products free of charge to designated collection facilities or to a retailer (if you purchase a similar new one).

For countries not mentioned above, please contact your local authorities for the correct method of disposal.

By doing so you will ensure that your disposed product undergoes the necessary treatment, recovery and recycling and thus prevent potential negative effects on the environment and human health.

K058b\_A1\_En

# Contents

## How to read this manual

Thank you for buying this Pioneer DJ product.

Be sure to read this manual and the Operating Instructions that is available on the Pioneer DJ site. Both documents include important information that you should understand before using this product.

In particular, be sure to read "IMPORTANT SAFETY INSTRUCTIONS."

Furthermore, be sure to keep this manual together with "Warranty".

For the operation of the rekordbox software, refer to the software manual of the rekordbox.

- Please note that the screens and specifications of the software described in this manual as well as the external appearance and specifications of the hardware are currently under development and may differ from the final specifications.
- Please note that depending on the operating system version, web browser settings, etc., operation may differ from the procedures described in this manual.
- Please note that the language on the screens of the software describes in this guide may differ from the language on your screens.

This manual provides brief descriptions regarding the names of parts of this unit and the connections between this unit and peripherals.

For more detailed instructions on using this unit, see the Operating Instructions for this unit.

- For how to obtain the Operating Instructions for this unit, see *Viewing the manuals* on page 4.

## 01 Before start

Features .....	4
What's in the box .....	4
Viewing the manuals .....	4
About rekordbox .....	4
Installing rekordbox .....	5

## 02 Part names

Rear panel .....	6
Front panel .....	7

## 03 Connections

Connecting input/output terminals .....	8
---	---

## 04 Additional information

Troubleshooting .....	11
About trademarks and registered trademarks .....	11
Cautions on copyrights .....	11
Specifications .....	11

# Before start

## Features

This unit is a 2-channel audio interface that lets you use rekordbox dvs when combined with an existing mixer. Thanks to professional sound quality ready for on-site use and a portable compact and rugged chassis, DJ performances using DVS will become possible anytime and anywhere. LED indicators on the top panel show sound flow and make it easy to correctly connect on site.

## What's in the box

- Power cord
  - AC adaptor
  - USB cable
  - Audio cable × 4
  - Rubber feet × 4
  - Operating Instructions (Quick Start Guide) (This document)
  - Warranty (for some regions)\*
  - License key card (rekordbox dj, rekordbox dvs)
- \* The included warranty is for the European region.

### Note

Please keep the license key because it cannot be provided again.

## Viewing the manuals

### Viewing this unit's Operating Instructions

#### 1 Launch a web browser on the computer and access the Pioneer DJ site below.

[pioneerdj.com/](http://pioneerdj.com/)

- To change the language, scroll down the screen, click the flag or GLOBAL icon on the bottom right of the screen and select the language from the pull-down menu.

#### 2 Click [Support].

#### 3 Click the [FIND TUTORIALS & MANUALS].

#### 4 Type [INTERFACE 2] into the search bar and click the link that appears.

#### 5 Click on the desired language from the list.

Download as necessary.

### Viewing the Operating Instructions of rekordbox

#### 1 Launch a web browser on the computer and access the rekordbox.com site below.

[rekordbox.com/](http://rekordbox.com/)

#### 2 Click [Support].

#### 3 Click [Manual].

#### 4 Click the required language of the manual.

## About rekordbox

- rekordbox  
rekordbox is a composite software that enables track management and DJ performances.
- rekordbox dj  
The DJ performance function of rekordbox is called rekordbox dj. Enter the license key shown on the rekordbox dj license key card included with this product to use rekordbox dj.
- rekordbox dvs  
The DVS function, which is a function that can be added to rekordbox dj to perform deck operations using control signals played with CDJ or a turntable, is called rekordbox dvs. Entering the license key shown on the license key card included with this product allows this function to be added to rekordbox dj.

## Minimum operating environment

Supported operating systems	CPU and required memory
macOS Sierra 10.12 (latest updated) OS X: 10.11/10.10/10.9 (latest updated)	Intel® processor Core™ i3/i5/i7, Intel® processor Core™ 2 Duo 4 GB or more of RAM
Windows: Windows 10/Windows 8.1/ Windows 7 (latest service pack)	Intel® processor Core™ i3/i5/i7, Intel® processor Core™ 2 Duo 4 GB or more of RAM
Others	
USB port	A USB 2.0 port is required to connect the computer with this unit.
Display resolution	Resolution of 1280 × 768 or greater
Internet connection	An Internet connection is required for registering the rekordbox user account and downloading the software.

- For information on the latest system requirements, compatibility, and supported operating systems of rekordbox, see [System Requirements] on the rekordbox.com site below.  
[rekordbox.com/](http://rekordbox.com/)
- Operation is not guaranteed on all computers, even if all the required operating environment conditions indicated here are fulfilled.
- Depending on the computer's power-saving settings, etc., the CPU and hard disk may not provide sufficient processing capabilities. For notebook computers in particular, make sure the computer is in the proper conditions to provide constant high performance (for example by keeping the AC power connected) when using rekordbox.
- Use of the Internet requires a separate contract with a provider offering Internet services and payment of provider fees.
- Use the latest version/service pack of the operating system.

## Installing rekordbox

### 1 Access rekordbox.com.

[rekordbox.com/en/store/](https://rekordbox.com/en/store/)

- The page content is subject to change without notice.

### 2 Check the Get Started guide and then click [Free To Download].



### 3 Carefully read the Software End User License Agreement and select the [Agree] check box if you agree.

When you select the checkbox, [Download] becomes clickable.

### 4 Click [Download].

Downloading of rekordbox starts.

### 5 Double-click the downloaded file to unzip it.

### 6 Double-click the unzipped file to launch the installer.

### 7 Carefully read the Software End User License Agreement, and continue with the installation according to the instructions on the screen if you agree.

- If you do not agree to the contents of the Software End User License Agreement, cancel the installation.

### 8 When the installation completion screen appears, follow the instructions on the screen to close the installer.

The installation is now complete.

- To use rekordbox dj and rekordbox dvs, activation (license authentication) is required. For details, see the rekordbox Operating Instructions.  
[rekordbox.com/en/support/manual.php](https://rekordbox.com/en/support/manual.php)

## Enter the license key to activate rekordbox dj.

- Set rekordbox to [PERFORMANCE].
- Click [Activate] under [Preferences] > [License] > [rekordbox dj]. Enter the license keys which are shown on the license key card included with this unit, then follow the screen instructions to activate rekordbox dj and rekordbox dvs.
- For the procedure to activate rekordbox dj, access "rekordbox.com", and read the rekordbox Manual on the [Support] > [Manual] page.  
[rekordbox.com/](https://rekordbox.com/)

## Setting DVS with rekordbox



There are four kinds of DVS modes ABSOLUTE, RELATIVE, INTERNAL, THROUGH.

Click the DECK number **1** to select the mode from the menu.

When selecting the mode, the selected mode name (ABS REL INT THR) appears under the DECK number.

The mode name lights up when receiving the control signal from the turn table (or CDJ, XDJ).

When receiving the control signal: **REL**

When receiving no control signal: **REL**

**ABS**: ABSOLUTE mode

- Location of the needle on the turn table is linked with the playback position of rekordbox DECK.

**REL**: RELATIVE mode

- Location of the needle on the turn table is not linked with the playback position of rekordbox DECK.

**INT**: INTERNAL mode

- Location of the needle, playback direction, tempo, and Vinyl operation on the turn table are not linked to the playback of DECK.

**THR**: THROUGH mode

- The playback sound of the turn table is output as it is.

---

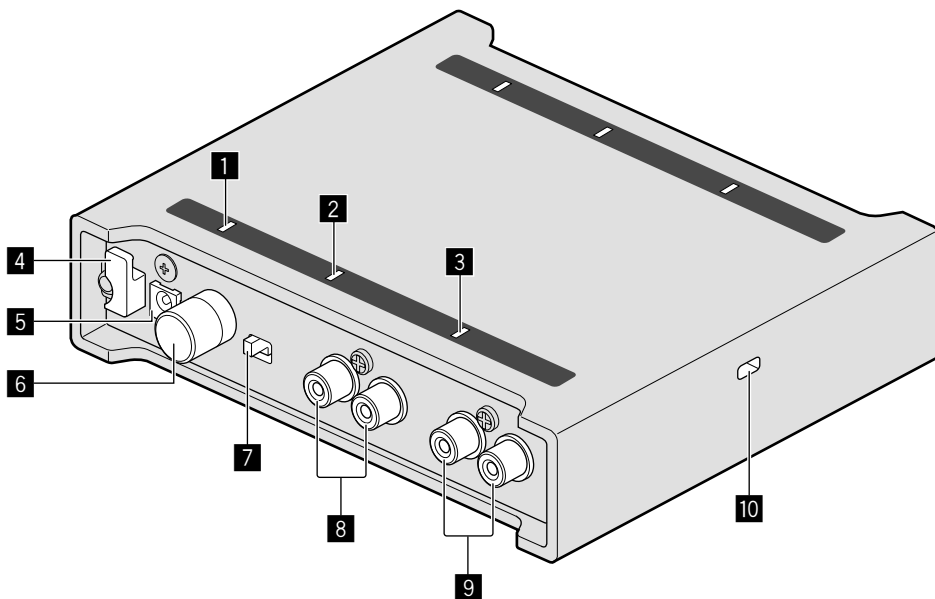
---

# Part names

---

---

## Rear panel



**1** DC indicator

**2** DECK2 input indicator

**3** DECK1 input indicator

**4** Cord hook

**5** DC IN terminal

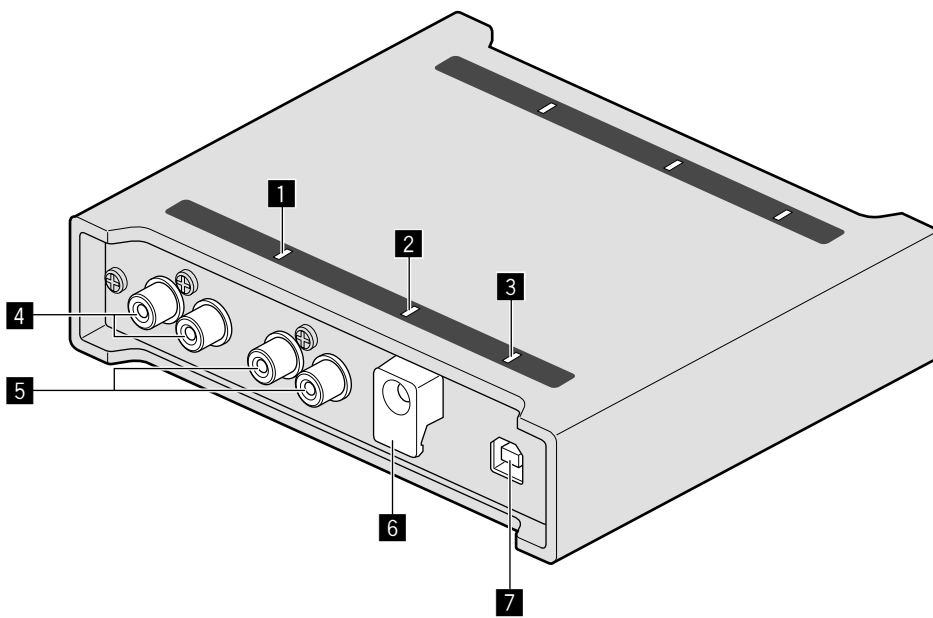
**6** SIGNAL GND terminal

**7** Input selector switch

**8** DECK2 input terminals

**9** DECK1 input terminals

**10** Kensington security slot



- 1** DECK1 output indicator
- 2** DECK2 output indicator
- 3** USB indicator
- 4** DECK1 output terminals
- 5** DECK2 output terminals
- 6** USB cable hook
- 7** USB port (Type B)

# Connections

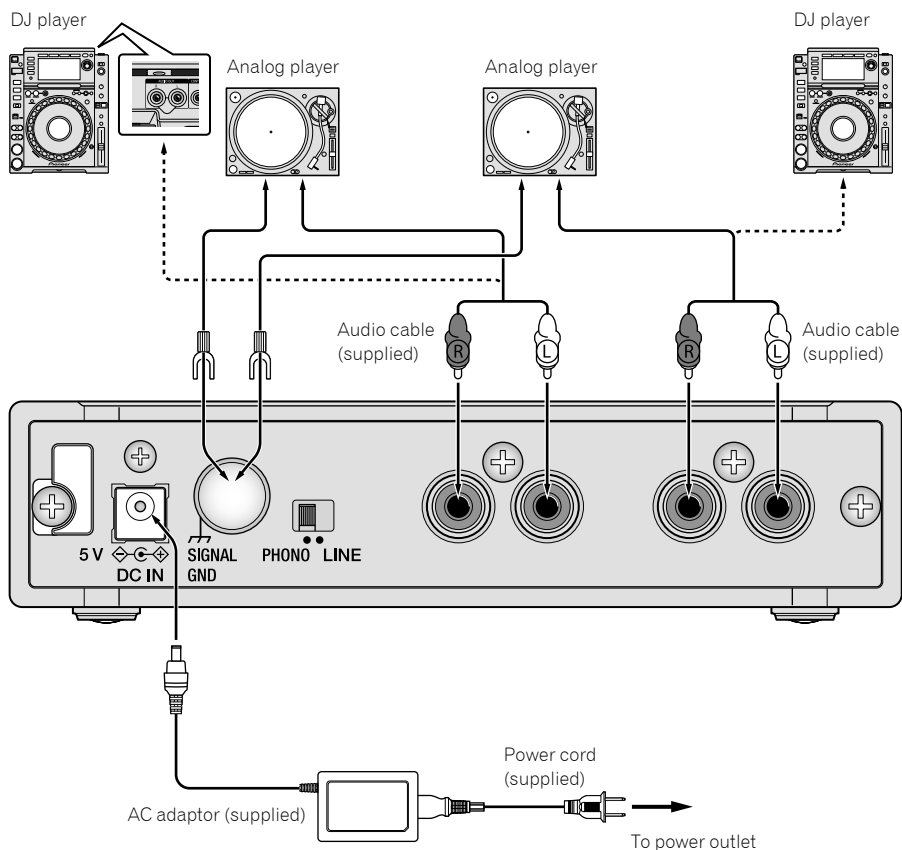
- Connect the power cord after all connections between devices have been completed.  
Be sure to remove the USB cable and unplug the power cord from the power outlet whenever making or changing connections.
- Be sure to use the supplied power cord and AC adaptor.
- Power is supplied by the AC adaptor or USB bus power.
- Connect this unit and the computer directly using the supplied USB cable.
- Use USB cables that conform to USB 2.0.
- USB hubs cannot be used.
- Refer to the operating instructions for the device to be connected.

## Notes on using the USB bus power

- This unit may not be used with the USB bus power in the following situation.
  - Power supply capacity of the USB port on your computer is too low.
  - Your computer is connected with other USB devices.If the USB bus power cannot be used, use the supplied AC adaptor.
- When using the USB bus power, the brightness of the LEDs decreases.  
To use without restriction, use the supplied AC adaptor.

## Connecting input/output terminals

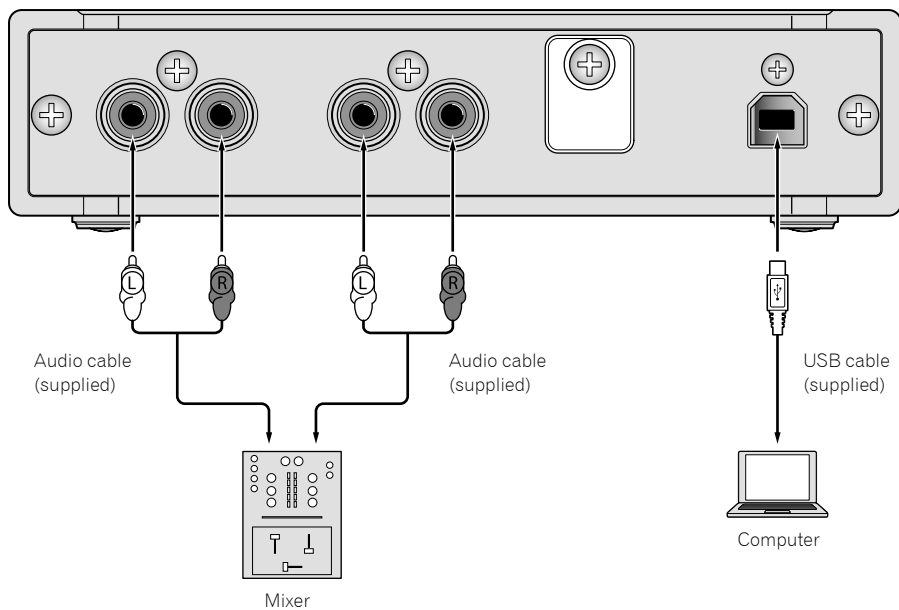
### Rear panel





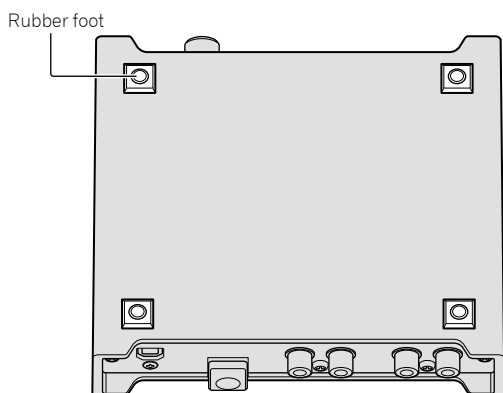
## Front panel

Audio will output at line level.



## How to attach the rubber feet

Attach the rubber feet to the unit if needed. Depending on where placing the unit, attach the rubber feet accordingly.



## How to use the cord hook/USB cable hook

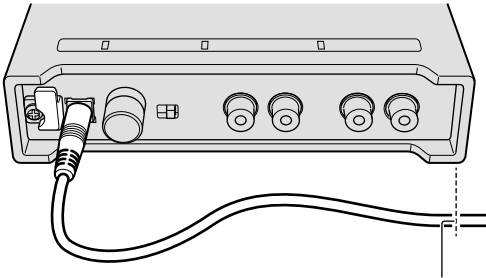
The power cord of the AC adaptor/USB cable is fixed by hooking to the cord hook/USB cable hook.

Hook the power cord of the AC adaptor/USB cable to avoid accidentally disconnecting them from the unit.

For the position to hook the power cord of the AC adaptor/USB cable, use the width of the unit as a guide.

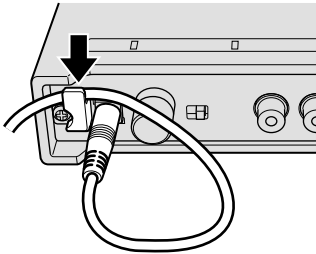
### The power cord of the AC adaptor

- 1 Connect the power cord of the AC adaptor to the [DC IN] terminal.
- 2 Fix the position to hook the power cord of the AC adaptor.

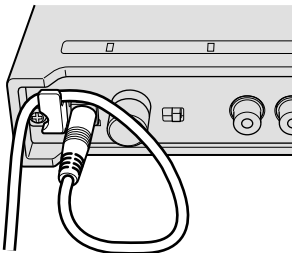


The position to hook the power cord of the AC adaptor

- 3 Hook the power cord of the AC adaptor from above.

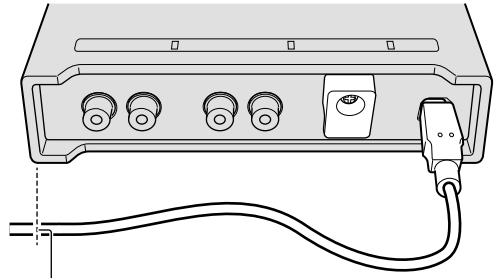


- 4 Make sure to hook the power cord of the AC adaptor securely.



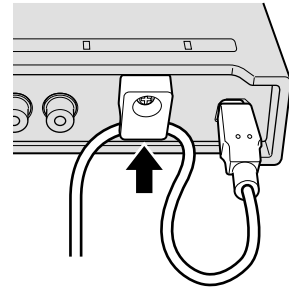
### The USB cable

- 1 Connect the USB cable to the [USB] port.
- 2 Fix the position to hook the USB cable.

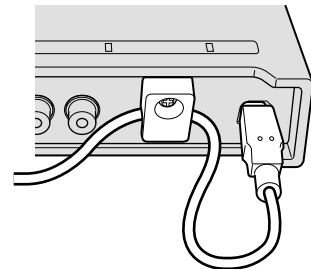


The position to hook the USB cable

- 3 Hook the USB cable from below.



- 4 Make sure to hook the USB cable securely.



# Additional information

## Troubleshooting

- If you think that there is something wrong with this unit, check the items of "Troubleshooting" in the Operating Instructions, and check [FAQ] for [INTERFACE 2] on the Pioneer DJ site. [pioneerdj.com/support/](http://pioneerdj.com/support/)  
Also, check the connected devices. If the problem cannot be resolved, ask your nearest Pioneer authorized service center or your dealer to carry out repair work.
- This unit may not operate properly due to static electricity or other external influences. In such cases, normal operation may be restored by unplugging the power cord then plugging it back in.

## About trademarks and registered trademarks

- Pioneer DJ is a trademark of PIONEER CORPORATION, and is used under license.
- rekordbox is a trademark or registered trademark of the Pioneer DJ Corporation.
- Windows is a registered trademark of Microsoft Corporation in the United States and other countries.
- Adobe and Reader are trademarks of Adobe Systems Incorporated in the U.S. and other countries.
- macOS, OS X and Finder are trademarks of Apple Inc., registered in the U.S. and other countries.
- Intel and Intel Core are trademarks of Intel Corporation in the U.S. and/or other countries.
- ASIO is a trademark of Steinberg Media Technologies GmbH.

The names of companies and products mentioned herein are trademarks or registered trademarks of their respective owners.

## Cautions on copyrights

rekordbox restricts playback and duplication of copyright-protected music contents.

- When coded data, etc., for protecting the copyright is embedded in the music contents, it may not be possible to operate the program normally.
- When rekordbox detects that coded data, etc., for protecting the copyright is embedded in the music contents, processing (playback, reading, etc.) may stop.

Recordings you have made are for your personal enjoyment and according to copyright laws may not be used without the consent of the copyright holder.

- Music recorded from CDs, etc., is protected by the copyright laws of individual countries and by international treaties. It is the full responsibility of the person who has recorded the music to ensure that it is used legally.
- When handling music downloaded from the Internet, etc., it is the full responsibility of the person who has downloaded the music to ensure that it is used in accordance with the contract concluded with the download site.

## Specifications

### AC adaptor

Power .....	AC 100 V to 240 V, 50 Hz/60 Hz
Rated current .....	0.4 A
Rated output .....	DC 5 V, 2 A

### General - Main Unit

Power consumption .....	DC 5 V, 600 mA
Main unit weight .....	0.6 kg
Max. dimensions .....	141 mm (width) × 32.5 mm (height) × 127.8 mm (depth)
Tolerable operating temperature .....	+5 °C to +35 °C
Tolerable operating humidity .....	5 % to 85 % (no condensation)

### Audio Section

Sampling rate .....	44.1 kHz/48 kHz/96 kHz
D/A converter .....	32 bits
A/D converters .....	24 bits
Frequency characteristic .....	
<b>LINE</b> .....	20 Hz to 20 kHz
S/N ratio (rated output)*1 .....	
<b>USB</b> .....	112 dB
<b>LINE</b> .....	103 dB
<b>PHONO</b> .....	100 dB
Total harmonic distortion*1 .....	
<b>USB</b> .....	0.002%
<b>LINE</b> .....	0.005%
<b>PHONO</b> .....	0.007%
Max. input level*1 .....	
<b>LINE</b> .....	+12 dBu, 3.2 Vrms
<b>PHONO</b> .....	-22 dBu, 60 mVrms (1 kHz)
Input impedance .....	42 kΩ
Rated output level / Load impedance .....	+11 dBu, 2.8Vrms/10 kΩ
Output impedance .....	550 Ω
Gain .....	
<b>PHONO</b> .....	+33 dB (1 kHz)

\*1 Sampling rate: at 96 kHz

### Input / Output terminals

Input terminal	
RCA pin jack .....	2 sets
Output terminal	
RCA pin jack .....	2 sets

### USB port

- B type .....
- 1 set
- The specifications and design of this product are subject to change without notice.
- © 2017 Pioneer DJ Corporation. All rights reserved.

Nous vous remercions d'avoir acquis un produit Pioneer DJ. Veuillez lire attentivement ce mode d'emploi afin de connaître la manière d'utiliser l'appareil comme il convient. Cela fait, conservez le mode d'emploi de façon à pouvoir vous y référer en cas de nécessité. Dans certains pays ou certaines régions, la forme de la fiche et de la prise d'alimentation est un peu différente de ce qui est montré dans les illustrations. Toutefois, l'appareil se raccorde et fonctionne de la même façon.

## ATTENTION

POUR ÉVITER TOUT RISQUE D'ÉLECTROCUTION, NE PAS ENLEVER LE COUVERCLE (NI LE PANNEAU ARRIÈRE). AUCUNE PIÈCE RÉPARABLE PAR L'UTILISATEUR NE SE TROUVE À L'INTÉRIEUR. CONFIER TOUT ENTRETIEN À UN PERSONNEL QUALIFIÉ UNIQUEMENT.

D3-4-2-1-1\_B1\_Fr

## AVERTISSEMENT

Cet appareil n'est pas étanche. Pour éviter les risques d'incendie et de décharge électrique, ne placez près de lui un récipient rempli d'eau, tel qu'un vase ou un pot de fleurs, et ne l'exposez pas à des gouttes d'eau, des éclaboussures, de la pluie ou de l'humidité.

D3-4-2-1-3\_A1\_Fr

## AVERTISSEMENT

Pour éviter les risques d'incendie, ne placez aucune flamme nue (telle qu'une bougie allumée) sur l'appareil.

D3-4-2-1-7a\_A1\_Fr

## PRÉCAUTION DE VENTILATION

Lors de l'installation de l'appareil, veillez à laisser un espace suffisant autour de ses parois de manière à améliorer la dissipation de chaleur (au moins 5 cm à l'arrière et 3 cm de chaque côté).

D3-4-2-1-7d\*\_A1\_Fr

Lorsque vous utilisez ce produit, vérifiez les informations concernant la sécurité sous l'appareil.

D3-4-2-2-4\_B1\_Fr

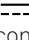
## Milieu de fonctionnement

Température et humidité du milieu de fonctionnement : De +5 °C à +35 °C (de +41 °F à +95 °F) ; Humidité relative inférieure à 85 % (orifices de ventilation non obstrués)

N'installez pas l'appareil dans un endroit mal ventilé ou un lieu soumis à une forte humidité ou en plein soleil (ou à une forte lumière artificielle).

D3-4-2-1-7c\*\_A1\_Fr

Le symbole graphique  indiqué sur le produit représente le courant alternatif.

Le symbole graphique  indiqué sur le produit représente le courant continu.

Le symbole graphique  indiqué sur le produit représente un équipement de Classe II.

D3-8-2-4\_A1\_Fr

## AVERTISSEMENT

Gardez les pièces de petite taille hors de la portée des bébés et des enfants. En cas d'ingestion accidentelle, veuillez contacter immédiatement un médecin.

D41-6-4\_A1\_Fr

## NOTE IMPORTANTE SUR LE CÂBLE D'ALIMENTATION

Tenir le câble d'alimentation par la fiche. Ne pas débrancher la prise en tirant sur le câble et ne pas toucher le câble avec les mains mouillées. Cela risque de provoquer un court-circuit ou un choc électrique. Ne pas poser l'appareil ou un meuble sur le câble. Ne pas pincer le câble. Ne pas faire de noeud avec le câble ou l'attacher à d'autres câbles. Les câbles d'alimentation doivent être posés de façon à ne pas être écrasés. Un câble abîmé peut provoquer un risque d'incendie ou un choc électrique. Vérifier le câble d'alimentation de temps en temps. Contacter le service après-vente le plus proche ou le revendeur pour un remplacement.

S002\*\_A1\_Fr

## ATTENTION

Ce produit a été testé dans des conditions de climats tempéré et tropical.

D3-8-2-1-7a\_A1\_Fr

Ce produit est destiné à une utilisation domestique générale. Toute panne due à une utilisation autre qu'à des fins privées (comme une utilisation à des fins commerciales dans un restaurant, dans un autocar ou sur un bateau) et qui nécessite une réparation sera aux frais du client, même pendant la période de garantie.

K041\_A1\_Fr

## ATTENTION

Comme le cordon d'alimentation fait office de dispositif de déconnexion du secteur, il devra être débranché au niveau de la prise secteur pour que l'appareil soit complètement hors tension. Par conséquent, veillez à installer l'appareil de telle manière que son cordon d'alimentation puisse être facilement débranché de la prise secteur en cas d'accident. Pour éviter tout risque d'incendie, le cordon d'alimentation sera débranché au niveau de la prise secteur si vous prévoyez une période prolongée de non utilisation (par exemple avant un départ en vacances).



Si vous souhaitez vous débarrasser de cet appareil, ne le mettez pas à la poubelle avec vos ordures ménagères. Il existe un système de collecte séparé pour les appareils électroniques usagés, qui doivent être récupérés, traités et recyclés conformément à la législation.

Les habitants des états membres de l'UE, de Suisse et de Norvège peuvent retourner gratuitement leurs appareils électroniques usagés aux centres de collecte agréés ou à un détaillant (si vous rachetez un appareil similaire neuf).

Dans les pays qui ne sont pas mentionnés ci-dessus, veuillez contacter les autorités locales pour savoir comment vous pouvez vous débarrasser de vos appareils.

Vous garantirez ainsi que les appareils dont vous vous débarrassez sont correctement récupérés, traités et recyclés et préviendrez de cette façon les impacts néfastes possibles sur l'environnement et la santé humaine.

K058b\_A1\_Fr

# Sommaire

## Comment lire ce manuel

Merci d'avoir acheté ce produit Pioneer DJ.

Veillez lire ce manuel et le « Mode d'emploi » qui est disponible sur le site Pioneer DJ. Ces deux documents comprennent des informations importantes que vous devez connaître avant d'utiliser ce produit.

Veillez lire notamment les « CONSIGNES DE SÉCURITÉ IMPORTANTES ». En outre, veillez à conserver ce manuel avec la « Garantie ».

Pour savoir comment fonctionne le logiciel rekordbox, veillez consulter le manuel du logiciel rekordbox.

- Veillez noter que les écrans et les caractéristiques techniques du logiciel décrit dans ce manuel, ainsi que l'aspect externe et les caractéristiques techniques du matériel sont en cours de développement de sorte que les caractéristiques finales peuvent être différentes.
- Veillez noter que selon la version du système d'exploitation, les réglages du navigateur web, etc., le fonctionnement peut être différent des marches à suivre indiquées dans ce mode d'emploi.
- Veillez noter que la langue sur les écrans du logiciel décrit dans ce guide peut être différente de celle s'affichant sur les écrans.

Ce manuel décrit brièvement les noms des éléments de cet appareil et les raccordements entre cet appareil et des périphériques. Pour des instructions plus détaillées sur l'utilisation de cet appareil, reportez-vous à son Mode d'emploi.

- Pour en savoir plus sur l'obtention du Mode d'emploi pour cet appareil, reportez-vous à la section *Affichage des manuels* à la page 4.

## 01 Informations préliminaires

Caractéristiques.....	4
Contenu du carton d'emballage .....	4
Affichage des manuels .....	4
À propos de rekordbox .....	4
Installation de rekordbox.....	5

## 02 Noms des éléments

Panneau arrière .....	6
Face avant .....	7

## 03 Raccordements

Raccordement des prises d'entrée/sortie .....	8
---	---

## 04 Informations complémentaires

En cas de panne .....	11
À propos des marques commerciales et des marques déposées.....	11
Précautions concernant les droits d'auteur .....	11
Spécifications.....	11

# Informations préliminaires

## Caractéristiques

Cet appareil est une interface audio dotée de 2 canaux qui permet d'utiliser le rekordbox dvs lorsqu'il est associé à une table de mixage existante. Grâce à sa qualité de son professionnelle dédiée à un usage sur place, ainsi qu'à son boîtier compact, portable et solide, le DJ, qui utilise la fonction DVS, pourra réaliser des performances en tout temps et partout. Les témoins LED sur le panneau supérieur indiquent le flux sonore et facilitent une bonne connexion sur place.

## Contenu du carton d'emballage

- Cordon d'alimentation
- Adaptateur secteur
- Câble USB
- Câble audio × 4
- Pieds en caoutchouc × 4
- Mode d'emploi (Guide de démarrage rapide) (ce document)
- Garantie (pour certaines régions)\*
- Carte de la clé de licence (rekordbox dj, rekordbox dvs)

\* La garantie incluse est destinée à la région européenne.

### Remarques

Veuillez conserver la clé de licence, car vous n'en n'aurez pas d'autre.

## Affichage des manuels

### Affichage du Mode d'emploi de cet appareil

#### 1 Lancez votre navigateur web sur l'ordinateur et accédez au site Pioneer DJ suivant.

[pioneerdj.com/](http://pioneerdj.com/)

- Pour changer la langue, veuillez faire défiler l'écran, cliquez sur le drapeau ou l'icône GLOBAL en haut à droite de l'écran et sélectionnez la langue à partir du menu déroulant.

#### 2 Cliquez sur [Aide].

#### 3 Cliquez sur [TROUVER LES TUTORIELS & MANUELS].

#### 4 Tapez [INTERFACE 2] dans la barre de recherche et cliquez sur le lien qui apparaît.

#### 5 Cliquez sur la langue souhaitée à partir de la liste. Téléchargez si nécessaire.

### Affichage du Mode d'emploi de rekordbox

#### 1 Lancez votre navigateur web sur l'ordinateur et accédez au site rekordbox.com ci-dessous.

[rekordbox.com/](http://rekordbox.com/)

#### 2 Cliquez sur [Aide].

#### 3 Cliquez sur [Manuel].

#### 4 Cliquez sur la langue souhaitée du manuel.

## À propos de rekordbox

- rekordbox  
rekordbox est un logiciel composite permettant la gestion des morceaux et des performances DJ.
- rekordbox dj  
La fonction Performances DJ de rekordbox s'appelle rekordbox dj. Saisissez la clé de licence indiquée sur la carte de clé de licence rekordbox dj fournie avec ce produit pour utiliser rekordbox dj.
- rekordbox dvs  
La fonction DVS, pouvant être ajoutée à rekordbox dj pour réaliser des opérations de platine à l'aide des signaux de commande lus sur un CDJ ou une platine DJ, s'appelle rekordbox dvs. La saisie de la clé de licence indiquée sur la carte de clé de licence fournie avec ce produit permet l'ajout de cette fonction au rekordbox dj.

### Environnement fonctionnel minimal

Systèmes d'exploitation pris en charge	Processeur et mémoire requise
macOS Sierra 10.12 (dernière mise à jour) OS X : 10.11/10.10/10.9 (dernière mise à jour)	Intel® processor Core™ i3/i5/i7, Intel® processor Core™ 2 Duo 4 Go ou plus de RAM
Windows : Windows 10/Windows 8.1/ Windows 7 (dernier service pack)	Intel® processor Core™ i3/i5/i7, Intel® processor Core™ 2 Duo 4 Go ou plus de RAM
Divers	
Port USB	Un port USB 2.0 est indispensable pour raccorder cet ordinateur à cet appareil.
Résolution de l'écran	Résolution de 1280 × 768 ou plus
Connexion Internet	Une connexion Internet est nécessaire pour l'enregistrement du compte utilisateur rekordbox et pour le téléchargement du logiciel.

- Pour des informations sur les dernières exigences système, la compatibilité et les systèmes d'exploitation pris en charge de rekordbox, veuillez consulter [Exigences système] sur le site ci-après [rekordbox.com](http://rekordbox.com).
- Le fonctionnement sur tous les ordinateurs n'est pas garanti, même lorsque les conditions de fonctionnement mentionnées ci-dessus sont remplies.
- Selon les réglages d'économie d'énergie de l'ordinateur, etc., la capacité de traitement du processeur et du disque dur peut être insuffisante. Notamment pour les ordinateurs portables, assurez-vous que l'ordinateur est en état de fournir sa performance optimale (par exemple en laissant le cordon d'alimentation raccordé), surtout si vous utilisez rekordbox.
- L'emploi d'Internet exige la signature d'un contrat séparé avec un fournisseur de services Internet et le paiement de droits.
- Utilisez la dernière version/le dernier Service Pack du système d'exploitation.

## Installation de rekordbox

### 1 Accédez à rekordbox.com.

[rekordbox.com/fr/store/](http://rekordbox.com/fr/store/)

- La page de contenu est soumise à modification sans notification préalable.

### 2 Consultez le guide de démarrage, puis cliquez sur [Téléchargement].



### 3 Lisez attentivement l'Accord de licence du logiciel et cochez la case [Agree] si vous acceptez.

Lorsque vous cochez la case, [Téléchargement] peut être sélectionné.

### 4 Cliquez sur [Téléchargement].

Le téléchargement de rekordbox commence.

### 5 Double-cliquez sur le fichier téléchargé pour le décompresser.

### 6 Double-cliquez sur le fichier décompressé pour lancer le programme d'installation.

### 7 Lisez attentivement l'Accord de licence du logiciel, et passez à l'installation en fonction des instructions qui apparaissent à l'écran si vous l'acceptez.

- Si vous n'acceptez pas le contenu de l'Accord de licence du logiciel, annulez l'installation.

### 8 Lorsque l'écran de fin de l'installation apparaît, suivez les instructions qui s'affichent à l'écran pour fermer le programme d'installation.

L'installation est terminée.

- Pour pouvoir utiliser rekordbox dj et rekordbox dvs, une activation (authentification de licence) est nécessaire. Pour obtenir des informations, veuillez consulter le Mode d'emploi de rekordbox. [rekordbox.com/fr/support/manual.php](http://rekordbox.com/fr/support/manual.php)

## Saisissez la clé de licence pour activer rekordbox dj.

- Réglez rekordbox sur [PERFORMANCE].
- Cliquez sur [Activate] sous [Préférences] > [License] > [rekordbox dj].

Saisissez les clés de licence affichées sur la carte de clé de licence incluse avec cet appareil, puis suivez les instructions à l'écran pour activer rekordbox dj et rekordbox dvs.

- Pour la procédure d'activation de rekordbox dj, accédez à « rekordbox.com » et lisez le manuel rekordbox sur la page [Aide] > [Manuel]. [rekordbox.com/](http://rekordbox.com/)

## Réglage du mode DVS avec rekordbox



Il existe quatre types de modes DVS : ABSOLUTE, RELATIVE, INTERNAL et THROUGH.

Cliquez sur le numéro DECK **1** pour sélectionner le mode dans le menu.

Lors de la sélection du mode, le nom du mode sélectionné (ABS REL INT THR) apparaît sous le numéro DECK.

Le nom du mode s'allume lors de la réception du signal de commande à partir de la platine (ou CDJ, XDJ).

Lors de la réception du signal de commande : **REL**

En l'absence de réception du signal de commande : **REL**

**ABS** : mode ABSOLUTE

- L'emplacement du saphir sur la platine est lié à la position de lecture de rekordbox DECK.

**REL** : mode RELATIVE

- L'emplacement du saphir sur la platine n'est pas lié à la position de lecture de rekordbox DECK.

**INT** : mode INTERNAL

- L'emplacement du saphir, le sens de lecture, le tempo et l'opération Vinyl sur la platine ne sont pas liés à la lecture de DECK.

**THR** : mode THROUGH

- Le son de la table de mixage sort tel quel.

---

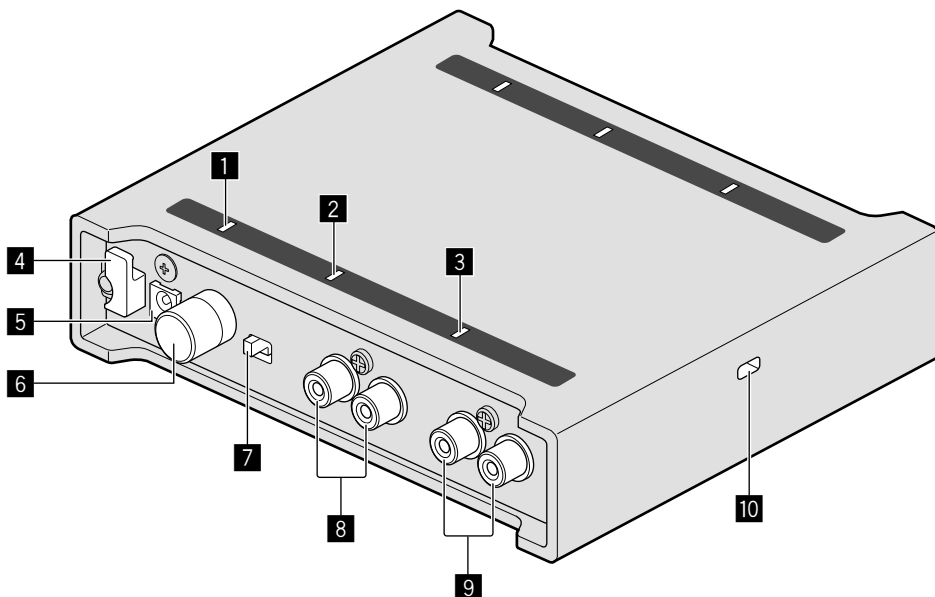
---

# Noms des éléments

---

---

## Panneau arrière



**1** Indicateur DC

**2** Indicateur d'entrée DECK2

**3** Indicateur d'entrée DECK1

**4** Crochet de cordon

**5** Prise DC IN

**6** Prise SIGNAL GND

**7** Sélecteur d'entrée

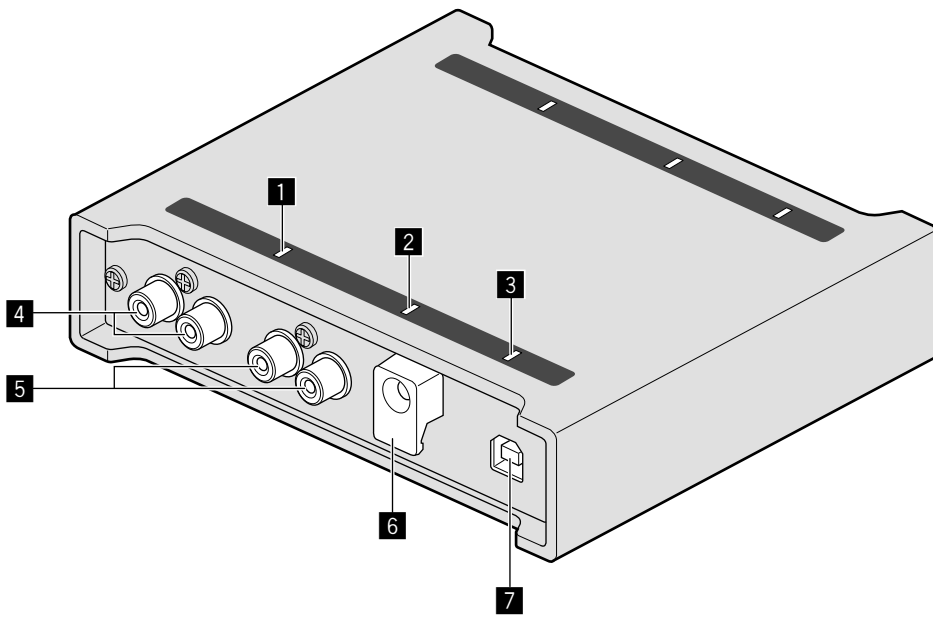
**8** Prises d'entrée DECK2

**9** Prises d'entrée DECK1

**10** Fente de sécurité Kensington



## Face avant



**1** Indicateur de sortie DECK1

**2** Indicateur de sortie DECK2

**3** Indicateur USB

**4** Prises de sortie DECK1

**5** Prises de sortie DECK2

**6** Crochet de cordon USB

**7** Port USB (type B)

# Raccordements

- Lorsque tous les appareils ont été raccordés, vous pouvez brancher le cordon d'alimentation. Veuillez à toujours ôter le câble USB et à débrancher le cordon d'alimentation de la prise secteur avant de raccorder un appareil ou de changer les liaisons.
- Veillez à utiliser le cordon d'alimentation fourni et l'adaptateur secteur.
- L'adaptateur secteur ou le câble USB alimente l'appareil.
- Raccordez cet appareil et l'ordinateur directement avec le câble USB fourni.
- Utilisez les câbles USB conformes à USB 2.0.
- Les concentrateurs USB ne peuvent pas être utilisés.
- Reportez-vous au mode d'emploi de l'appareil devant être raccordé.

## Remarques concernant l'utilisation du câble USB

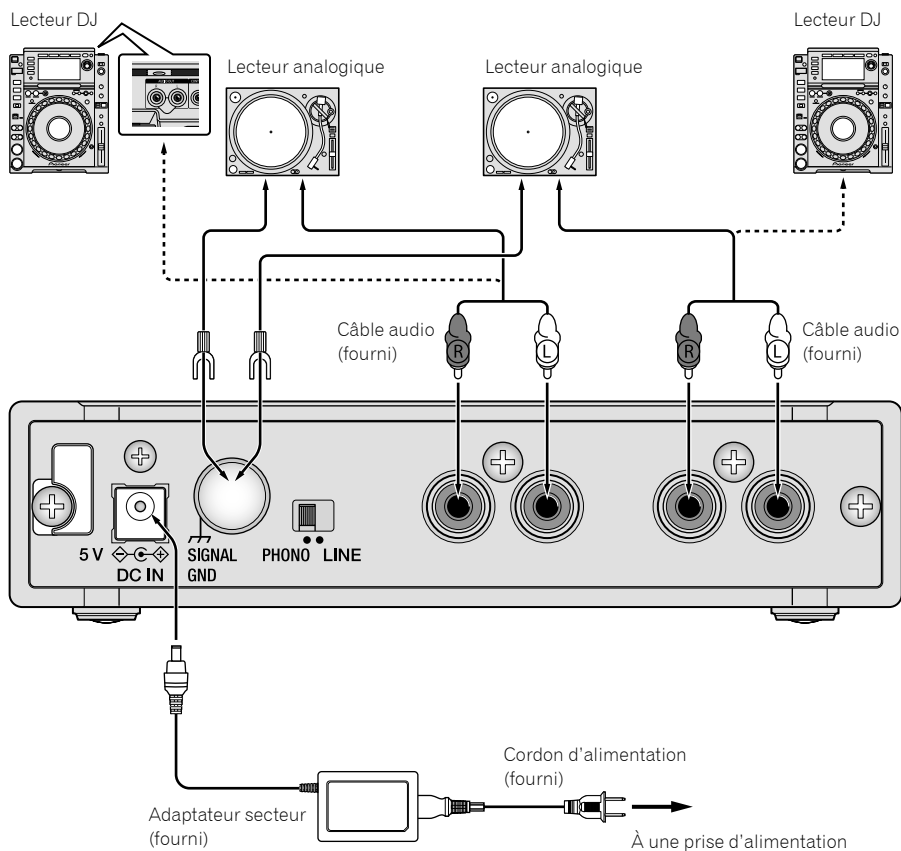
- Cet appareil peut ne pas s'utiliser avec un câble USB dans les situations suivantes :
  - La puissance de branchement du port USB sur votre ordinateur est trop faible.
  - Votre ordinateur est raccordé à d'autres périphériques USB.

Si vous ne pouvez pas vous servir du câble USB, utilisez l'adaptateur secteur fourni.

- Lorsque vous utilisez le câble USB, la luminosité des LED diminue. Pour un usage sans limite, veuillez utiliser l'adaptateur secteur fourni.

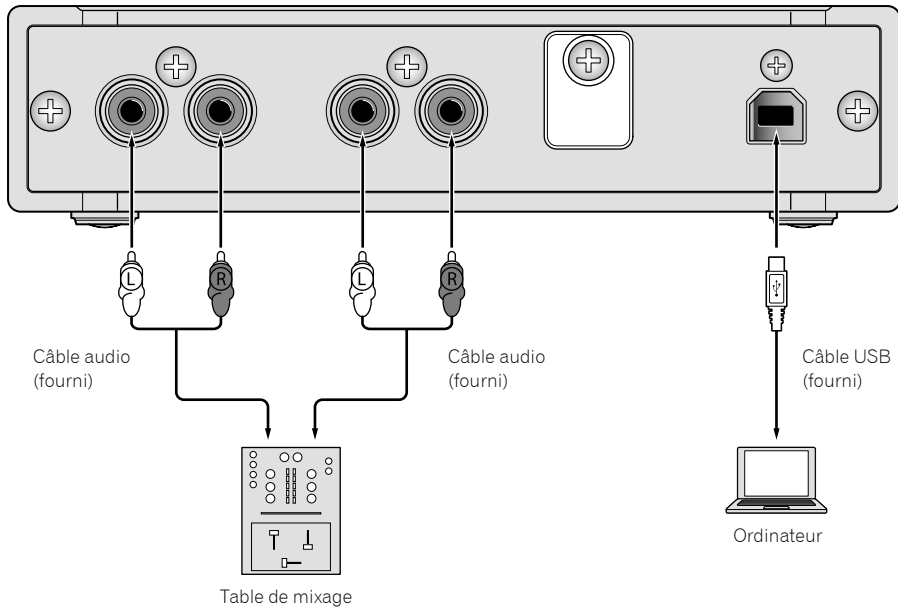
## Raccordement des prises d'entrée/sortie

### Panneau arrière



## Face avant

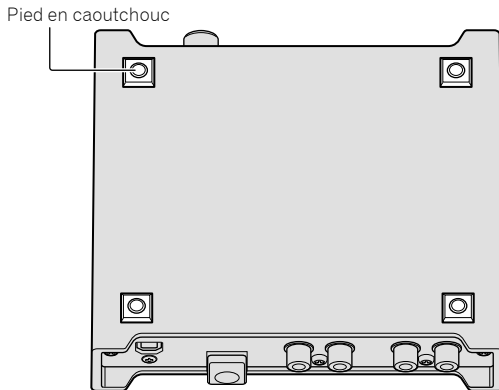
Le son audio sortira au niveau line.



---

## Comment fixer les pieds en caoutchouc

Fixez les pieds en caoutchouc sur l'appareil si nécessaire. En fonction de l'emplacement de l'appareil, fixez les pieds en caoutchouc en conséquence.

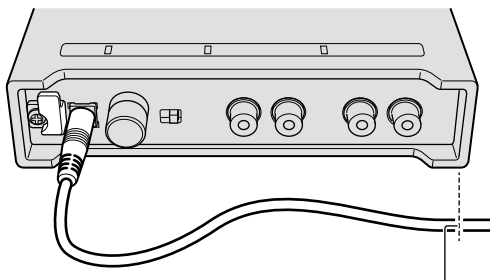


## Comment utiliser le crochet du cordon / crochet du câble USB

Le cordon d'alimentation de l'adaptateur secteur / câble USB se fixe en s'accrochant au crochet du cordon / crochet du câble USB. Accrochez le cordon d'alimentation de l'adaptateur secteur /câble USB afin d'éviter de les débrancher accidentellement de l'appareil. Pour accrocher le cordon d'alimentation de l'adaptateur secteur / câble USB, prenez la largeur de l'appareil pour référence.

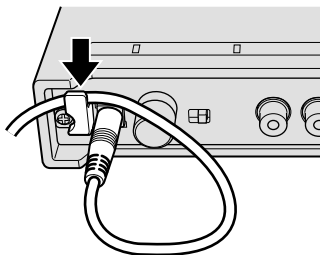
### Le cordon d'alimentation de l'adaptateur secteur

- 1 Branchez le cordon d'alimentation de l'adaptateur secteur à la prise [DC IN].
- 2 Maintenez la position pour accrocher le cordon d'alimentation de l'adaptateur secteur.

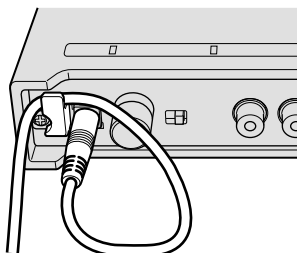


La position pour accrocher le cordon d'alimentation de l'adaptateur secteur

- 3 Accrochez le cordon d'alimentation de l'adaptateur secteur par le haut.

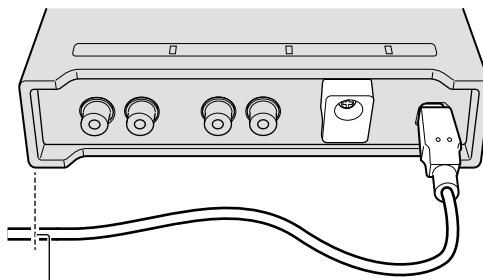


- 4 Veillez à accrocher solidement le cordon d'alimentation de l'adaptateur secteur.



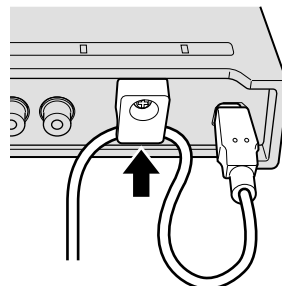
### Le câble USB

- 1 Branchez le câble USB au port [USB].
- 2 Maintenez la position pour accrocher le câble USB.

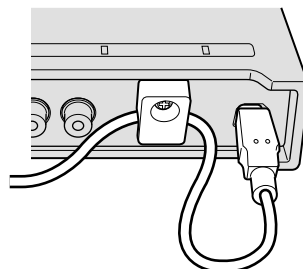


La position pour accrocher le câble USB

- 3 Accrochez le câble USB par le bas.



- 4 Veillez à accrocher solidement le câble USB.



# Informations complémentaires

## En cas de panne

- Si vous pensez que quelque chose est anormal avec cet appareil, veuillez consulter les éléments de « En cas de panne » figurant dans le Mode d'emploi, et consultez les [FAQ] pour [INTERFACE 2] sur le site de Pioneer DJ.  
pioneerdj.com/support/  
Vérifiez également les dispositifs raccordés. Si vous ne pouvez pas résoudre le problème, adressez-vous au service après-vente agréé Pioneer le plus proche ou à votre revendeur pour effectuer une réparation.
- Cet appareil peut ne pas fonctionner correctement en raison de l'électricité statique ou d'autres influences extérieures. Le cas échéant, le fonctionnement normal peut être rétabli en débranchant, puis en rebranchant le cordon d'alimentation.

## À propos des marques commerciales et des marques déposées

- Pioneer DJ est une marque déposée de PIONEER CORPORATION qui est utilisée sous licence.
- rekordbox est une marque commerciale ou une marque déposée de Pioneer DJ Corporation.
- Windows est une marque déposée de Microsoft Corporation aux États-Unis et dans d'autres pays.
- Adobe et Reader sont des marques commerciales d'Adobe Systems déposées aux États-Unis et dans d'autres pays.
- macOS, OS X et Finder sont des marques commerciales d'Apple Inc. déposées aux États-Unis et dans d'autres pays.
- Intel et Intel Core sont des marques commerciales d'Intel Corporation aux États-Unis et/ou dans d'autres pays.
- ASIO est une marque commerciale de Steinberg Media Technologies GmbH.

Les noms de sociétés et de produits mentionnés dans ce Mode d'emploi sont des marques commerciales ou des marques déposées de leurs détenteurs respectifs.

## Précautions concernant les droits d'auteur

rekordbox limite la lecture et la reproduction de fichiers musicaux protégés par des droits d'auteur.

- Si des données codées sont insérées dans le contenu musical, par exemple pour la protection des droits d'auteur, le programme risque de ne pas fonctionner normalement.
- Lorsque rekordbox détecte que des données codées sont insérées dans le contenu musical, par exemple pour la protection des droits d'auteur, l'opération en cours (lecture d'un morceau, lecture de données, etc.) peut s'arrêter.

Les enregistrements effectués sont destinés à votre usage personnel et, conformément aux lois sur les droits d'auteur, il se peut que leur utilisation soit soumise au consentement du détenteur des droits.

- La musique enregistrée à partir de CD, etc., est protégée par les lois sur les droits d'auteur de chaque pays et par les traités internationaux. La personne qui effectue des enregistrements de musique est responsable de leur utilisation légale.
- Lorsque de la musique est téléchargée d'Internet, etc., la personne qui a effectué le téléchargement est responsable de l'utilisation de cette musique conformément à l'accord conclu avec le site de téléchargement.

## Spécifications

### Adaptateur secteur

Alimentation.....	CC 100 V à 240 V, 50 Hz/60 Hz
Courant nominal.....	0,4 A
Sortie nominale.....	CC 5 V, 2 A

### Caractéristiques générales – Appareil principal

Consommation.....	CC 5 V, 600 mA
Poids de l'appareil principal.....	0,6 kg
Dimensions maximales	
.....	141 mm (largeur) × 32,5 mm (hauteur) × 127,8 mm (profondeur)
Température de fonctionnement tolérée.....	+5 °C à +35 °C
Humidité de fonctionnement tolérée.....	5 % à 85 % (sans condensation)

### Section audio

Fréquence d'échantillonnage.....	44,1 kHz/48 kHz/96 kHz
Convertisseur N/A.....	32 bits
Convertisseurs A/N.....	24 bits
Caractéristiques des fréquences	
<b>LINE</b> .....	20 Hz à 20 kHz
Rapport S/B (sortie nominale)*1	
<b>USB</b> .....	112 dB
<b>LINE</b> .....	103 dB
<b>PHONO</b> .....	100 dB
Distorsion harmonique totale*1	
<b>USB</b> .....	0,002 %
<b>LINE</b> .....	0,005 %
<b>PHONO</b> .....	0,007 %
Niveau d'entrée maximal*1	
<b>LINE</b> .....	+12 dBu, 3,2 Vrms
<b>PHONO</b> .....	-22 dBu, 60 mVrms (1 kHz)
Impédance d'entrée.....	42 kΩ
Niveau de sortie nominale / Impédance de charge	
.....	+11 dBu, 2,8 Vrms/10 kΩ
Impédance de sortie.....	550 Ω
Gain	
<b>PHONO</b> .....	+33 dB (1 kHz)

\*1 Fréquence d'échantillonnage : à 96 kHz

### Prises d'entrée/sortie

Prise d'entrée	
Prise RCA.....	2 jeux
Prise de sortie	
Prise RCA.....	2 jeux
Port <b>USB</b>	
Type B.....	1 jeu

- Les spécifications et la présentation peuvent être modifiées, sans avis préalable, dans un souci d'amélioration.

© 2017 Pioneer DJ Corporation. Tous les droits réservés.

Vielen Dank, dass Sie sich für dieses Pioneer DJ-Produkt entschieden haben. Bitte lesen Sie diese Bedienungsanleitung gründlich durch, um sich mit der Bedienung des Geräts vertraut zu machen. Nachdem Sie die Bedienungsanleitung gelesen haben, legen Sie sie griffbereit zum Nachschlagen ab. In manchen Ländern oder Regionen können sich die Formen von Netzstecker und Netzsteckdose von denen in den Erklärungszeichnungen unterscheiden. Das Verfahren zum Anschließen und Bedienen des Geräts sind aber gleich.

## ACHTUNG

UM SICH NICHT DER GEFAHR EINES ELEKTRISCHEN SCHLAGES AUSZUSETZEN, DÜRFEN SIE NICHT DEN DECKEL (ODER DIE RÜCKSEITE) ENTFERNEN. IM GERÄTEINNEREN BEFINDEN SICH KEINE VOM BENUTZER REPARIERBAREN TEILE. ÜBERLASSEN SIE REPARATUREN DEM QUALIFIZIERTEN KUNDENDIENST.

D3-4-2-1-1\_B1\_De

## WARNUNG

Dieses Gerät ist nicht wasserdicht. Zur Vermeidung der Gefahr von Brand und Stromschlag keine Behälter mit Flüssigkeiten (z.B. Blumenvasen und -töpfe) in die Nähe des Gerätes bringen und dieses vor Tropfwasser, Spritzwasser, Regen und Nässe schützen.

D3-4-2-1-3\_A1\_De

## WARNUNG

Keine Quellen offener Flammen (z.B. eine brennende Kerze) auf dieses Gerät stellen.

D3-4-2-1-7a\_A1\_De




## VORSICHTSHINWEIS ZUR BELÜFTUNG

Bei der Aufstellung dieses Gerätes muss für einen ausreichenden Freiraum gesorgt werden, um eine einwandfreie Wärmeabfuhr zu gewährleisten (mindestens 5 cm hinter dem Gerät und jeweils 3 cm an der Seite des Gerätes).

D3-4-2-1-7d\*\_A1\_De

Bei Verwendung dieses Produktes machen Sie sich bitte mit der Sicherheitsinformationen auf der Unterseite des Gerätes vertraut.

D3-4-2-2-4\_B1\_De

Das auf diesem Produkt angebrachte Piktogramm  verweist auf Wechselstrom.  
Das auf diesem Produkt angebrachte Piktogramm  verweist auf Gleichstrom.  
Das auf diesem Produkt angebrachte Piktogramm  verweist auf ein Gerät der Klasse II.

D3-8-2-4\_A1\_De

## ACHTUNG

Dieses Produkt wurde unter moderaten und tropischen Klimabedingungen getestet.

D3-8-2-1-7a\_A1\_De

## WARNUNG

Kleine Teile außerhalb der Reichweite von Kleinkindern und Kindern aufbewahren. Bei unbeabsichtigtem Verschlucken ist unverzüglich ein Arzt aufzusuchen.

D41-6-4\_A1\_De

## Betriebsumgebung

Betriebstemperatur und Betriebsluftfeuchtigkeit:  
+5 °C bis +35 °C, 85 % rel. Feuchte max.  
(Ventilationsschlitze nicht blockiert)

Eine Aufstellung dieses Gerät an einem unzureichend belüfteten, sehr feuchten oder heißen Ort ist zu vermeiden, und das Gerät darf weder direkter Sonneneinstrahlung noch starken Kunstlichtquellen ausgesetzt werden.

D3-4-2-1-7c\*\_A1\_De

## VORSICHT MIT DEM NETZKABEL

Fassen Sie das Netzkabel immer am Stecker. Ziehen Sie nicht am Kabel selbst, und fassen Sie das Netzkabel niemals mit nassen Händen an, da dies einen Kurzschluss oder elektrischen Schlag verursachen kann. Stellen Sie nicht das Gerät, Möbelstücke o.ä. auf das Netzkabel; sehen Sie auch zu, dass es nicht eingeklemmt wird. Machen Sie niemals einen Knoten in das Netzkabel, und binden Sie es nicht mit anderen Kabeln. Das Netzkabel sollte so gelegt werden, dass niemand darauf tritt. Ein beschädigtes Netzkabel kann einen Brand oder elektrischen Schlag verursachen. Prüfen Sie das Netzkabel von Zeit zu Zeit. Sollte es beschädigt sein, wenden Sie sich an Ihre nächste Kundendienststelle oder Ihren Händler, um es zu ersetzen.

S002\*\_A1\_De

Dieses Gerät ist für den Heimgebrauch vorgesehen. Falls bei Einsatz zu einem anderem Zweck (z.B. Langzeitgebrauch zu gewerblichen Zwecken in einem Restaurant oder Betrieb in einem Fahrzeug bzw. Schiff) eine Funktionsstörung auftritt, die eine Reparatur des Gerätes erforderlich macht, werden die Reparaturkosten dem Kunden selbst dann in Rechnung gestellt, wenn die Garantiefrist noch nicht abgelaufen ist.

K041\_A1\_De

## ACHTUNG

Um das Gerät vollständig vom Netz zu trennen, muss der Netzstecker aus der Netzsteckdose gezogen werden. Daher sollte das Gerät so aufgestellt werden, dass stets ein unbehinderter Zugang zur Netzsteckdose gewährleistet ist, damit der Netzstecker in einer Notsituation sofort abgezogen werden kann. Um Brandgefahr auszuschließen, sollte der Netzstecker vor einem längeren Nichtgebrauch des Gerätes, beispielsweise während des Urlaubs, grundsätzlich von der Netzsteckdose getrennt werden.



Mischen Sie dieses Produkt, wenn Sie es entsorgen wollen, nicht mit gewöhnlichen Haushaltsabfällen. Es gibt ein getrenntes Sammelsystem für gebrauchte elektronische Produkte, über das die richtige Behandlung, Rückgewinnung und Wiederverwertung gemäß der bestehenden Gesetzgebung gewährleistet wird.

Privathaushalte in den Mitgliedsstaaten der EU, in der Schweiz und in Norwegen können ihre gebrauchten elektronischen Produkte an vorgesehenen Sammeleinrichtungen kostenfrei zurückgeben oder aber an einen Händler zurückgeben (wenn sie ein ähnliches neues Produkt kaufen).

Bitte wenden Sie sich in den Ländern, die oben nicht aufgeführt sind, hinsichtlich der korrekten Verfahrensweise der Entsorgung an die örtliche Kommunalverwaltung.

Auf diese Weise stellen Sie sicher, dass das zu entsorgende Produkt der notwendigen Behandlung, Rückgewinnung und Wiederverwertung unterzogen wird, und so mögliche negative Einflüsse auf die Umwelt und die menschliche Gesundheit vermieden werden.

K058b\_A1\_De

---

---

# Inhalt

## Zum Lesen dieser Anleitung

Vielen Dank, dass Sie sich für dieses Pioneer DJ-Produkt entschieden haben.

Bitte achten Sie darauf, sowohl diese Anleitung als auch die mitgelieferte Bedienungsanleitung zu lesen, die über die Pioneer DJ-Website verfügbar sind. Beide Dokumente enthalten wichtige Informationen, die Sie verstehen sollten, bevor Sie dieses Produkt benutzen.

Lesen Sie insbesondere „WICHTIGE SICHERHEITSANWEISUNGEN“. Bewahren Sie dieses Anleitung außerdem zusammen mit der „Garantie“ auf.

Informationen zur Bedienung der rekordbox-Software finden Sie im Softwarehandbuch zu rekordbox.

- Bitte beachten Sie, dass die Bildschirme und Spezifikationen der in dieser Anleitung beschriebenen Software ebenso wie die äußere Erscheinung und die Spezifikationen der Hardware aktuell in der Entwicklung sind und sich von den endgültigen Spezifikationen unterscheiden können.
- Bitte beachten Sie, dass je nach der Version des Betriebssystems, den Webbrowser-Einstellungen usw. die Bedienung sich von den in dieser Anleitung beschriebenen Verfahren leicht unterscheiden kann.
- Bitte beachten Sie, dass die Sprache in den Computerbildschirmen der in dieser Anleitung beschriebenen Software von der Sprache in Ihren Bildschirmen abweichen kann.

Diese Anleitung bietet kurze Beschreibungen in Bezug auf die Namen der Teile des Geräts und die Verbindung zwischen diesem Gerät und den Peripheriegeräten. Ausführliche Anweisungen zur Verwendung des Geräts finden Sie in der Bedienungsanleitung dieses Geräts.

- Informationen dazu, wie Sie die Bedienungsanleitung für dieses Gerät erhalten, finden Sie unter *Anzeigen der Anleitungen* auf Seite 5.

## 01 Vor der Inbetriebnahme

Merkmale.....	5
Lieferumfang.....	5
Anzeigen der Anleitungen.....	5
Über rekordbox.....	5
Installieren von rekordbox.....	6

## 02 Teilennamen

Rückseite.....	7
Frontplatte.....	8

## 03 Anschlüsse

Anschließen der Eingangs-/Ausgangsbuchsen.....	9
--	---

## 04 Zusätzliche Informationen

Störungssuche.....	12
Über Markenzeichen und eingetragene Markenzeichen.....	12
Hinweise zu Urheberrechten.....	12
Technische Daten.....	12



# Vor der Inbetriebnahme

## Merkmale

Dieses Gerät ist eine 2-Kanal-Audioschnittstelle, mit der Sie rekordbox dvs verwenden können, wenn es mit einem vorhandenen Mixer kombiniert wird. Dank der professionellen Klangqualität, die bereit für die Verwendung vor Ort ist, sowie einem tragbaren kompakten und robusten Gehäuse wird eine DJ-Performance mit DVS überall und jederzeit möglich. LED-Anzeigen an der Oberseite zeigen den Soundfluss und machen es einfach, die Anschlüsse vor Ort richtig herzustellen.

## Lieferumfang

- Netzkabel
  - Netzteil
  - USB-Kabel
  - Audiokabel × 4
  - Gummifüße × 4
  - Bedienungsanleitung (Kurzanleitung) (dieses Dokument)
  - Garantie (für bestimmte Regionen)\*
  - Lizenzschlüsselkarte (rekordbox dj, rekordbox dvs)
- \* Die mitgelieferte Garantie gilt für die Region Europa.

### Hinweis

Bitte bewahren Sie den Lizenzschlüssel auf, da er nicht mehrfach zur Verfügung gestellt werden kann.

## Anzeigen der Anleitungen

### Anzeigen der Bedienungsanleitung dieser Einheit

#### 1 Starten Sie einen Webbrowser auf dem Computer und gehen Sie zu der unten angegebenen Pioneer DJ-Website.

[pioneerdj.com/](http://pioneerdj.com/)

- Um die Sprache zu ändern, scrollen Sie auf dem Bildschirm nach unten, klicken Sie auf die Flagge oder das GLOBAL-Symbol unten rechts auf dem Bildschirm und wählen Sie die Sprache aus dem Pull-down-Menü aus.

#### 2 Klicken Sie auf [Support].

#### 3 Klicken Sie auf [TUTORIALS & BEDIENUNGSANLEITUNGEN].

#### 4 Geben Sie [INTERFACE 2] in die Suchleiste ein und klicken Sie auf den Link, der angezeigt wird.

#### 5 Klicken Sie in der Liste auf die gewünschte Sprache.

Laden Sie diese, falls nötig, herunter.

### Anzeigen der Bedienungsanleitung von rekordbox

#### 1 Starten Sie einen Webbrowser auf dem Computer und rufen Sie die unten angegebene Website [rekordbox.com](http://rekordbox.com) auf.

[rekordbox.com/](http://rekordbox.com/)

#### 2 Klicken Sie auf [Support].

#### 3 Klicken Sie auf [Manual].

#### 4 Klicken Sie auf die erforderliche Sprache der Anleitung.

## Über rekordbox

- rekordbox  
rekordbox ist eine Verbundsoftware für DJ-Auftritte, die eine Verwaltung von Tracks ermöglicht.
- rekordbox dj  
Die DJ-Performance-Funktion von rekordbox nennt sich rekordbox dj. Geben Sie den Lizenzschlüssel ein, der auf der rekordbox dj-Lizenzschlüsselkarte im Lieferumfang dieses Produkts vermerkt ist, um rekordbox dj zu verwenden.
- rekordbox dvs  
Die DVS-Funktion, eine Funktion, die zu rekordbox dj hinzugefügt werden kann, um das Deck mithilfe von Steuersignalen mit CDJ oder einem Plattenteller zu betreiben, heißt rekordbox dvs. Durch die Eingabe des Lizenzschlüssels von der Lizenzschlüsselkarte im Lieferumfang dieses Produkts kann diese Funktion zu rekordbox dj hinzugefügt werden.

### Minimale Betriebsumgebung

Unterstützte Betriebssysteme	CPU und erforderlicher Arbeitsspeicher
macOS Sierra 10.12 (neuestes Update) OS X: 10.11/10.10/10.9 (neuestes Update)	Intel®-Prozessor Core™ i3/i5/i7, Intel®-Prozessor Core™ 2 Duo Mindestens 4 GB RAM
Windows: Windows 10/Windows 8.1/ Windows 7 (neuestes Service Pack)	Intel®-Prozessor Core™ i3/i5/i7, Intel®-Prozessor Core™ 2 Duo Mindestens 4 GB RAM
Sonstiges	
USB-Anschluss	Ein USB 2.0-Port ist zum Anschluss des Computers an dieses Gerät erforderlich.
Display-Auflösung	Auflösung von 1280 × 768 oder höher
Internetverbindung	Eine Internetverbindung ist für die Registrierung des rekordbox-Benutzerkontos und zum Herunterladen der Software erforderlich.

- Informationen über die aktuellen Systemanforderungen, Kompatibilität und unterstützten Betriebssysteme von rekordbox finden Sie unter [System Requirements] auf der nachstehenden [rekordbox.com](http://rekordbox.com)-Website.
- Die richtige Funktion kann nicht auf allen Computern garantiert werden, auch wenn diese mit den hier beschriebenen Betriebsbedingungen übereinstimmen.
- Je nach den Energieeinstellungen des Computers usw. kann es sein, dass CPU und Festplatte keine ausreichende Verarbeitungskapazität bieten. Insbesondere bei Notebook-Computern müssen Sie sicherstellen, dass der Computer im richtigen Zustand ist, um konstante hohe Leistung zu bieten (zum Beispiel indem die Netzstromversorgung angeschlossen bleibt), wenn Sie rekordbox verwenden.
- Die Verwendung des Internets erfordert einen separaten Vertrag mit einem Internet-Provider und Bezahlung der Provider-Gebühren.
- Verwenden Sie die aktuelle Version/das aktuelle Service Pack des Betriebssystems.

## Installieren von rekordbox

### 1 Gehen Sie zu rekordbox.com.

[rekordbox.com/en/store/](https://rekordbox.com/en/store/)

- Der Seiteninhalt kann ohne Ankündigung geändert werden.

### 2 Lesen Sie die Kurzanleitung und klicken Sie auf [Free To Download].



### 3 Lesen Sie die Software-Lizenzvereinbarung sorgfältig durch und aktivieren Sie das Kontrollkästchen [Agree], wenn Sie einverstanden sind.

Wenn Sie das Kontrollkästchen aktivieren, können Sie [Download] anklicken.

### 4 Klicken Sie auf [Download].

Der Download von rekordbox beginnt.

### 5 Doppelklicken Sie auf die heruntergeladene Datei, um sie zu entpacken.

### 6 Doppelklicken Sie auf die entpackte Datei, um den Installationsassistenten zu starten.

### 7 Lesen Sie die Software-Lizenzvereinbarung sorgfältig durch und fahren Sie mit der Installation entsprechend der Anweisungen auf dem Bildschirm fort, wenn Sie dieser zustimmen.

- Wenn Sie mit dem Inhalt der Software-Lizenzvereinbarung nicht einverstanden sind, brechen Sie die Installation ab.

### 8 Wenn der Bildschirm zum Abschluss der Installation angezeigt wird, folgen Sie den Anweisungen auf dem Bildschirm, um den Installationsassistenten zu schließen.

Die Installation ist damit abgeschlossen.

- Um rekordbox dj und rekordbox dvs zu verwenden, ist eine Aktivierung (Lizenzauthentifizierung) erforderlich. Ausführliche Informationen finden Sie in der Bedienungsanleitung zu rekordbox.  
[rekordbox.com/en/support/manual.php](https://rekordbox.com/en/support/manual.php)

## Geben Sie den Lizenzschlüssel ein, um rekordbox dj zu aktivieren.

- Setzen Sie rekordbox auf [PERFORMANCE].
- Klicken Sie auf [Activate] unter [Voreinstellungen] > [License] > [rekordbox dj].

Geben Sie die Lizenzschlüssel ein, die auf der Lizenzschlüsselkarte im Lieferumfang dieses Produkts vermerkt sind, und befolgen Sie dann die Anweisungen auf dem Bildschirm, um rekordbox dj und rekordbox dvs zu aktivieren.

- Um Informationen zum Vorgang der Aktivierung von rekordbox dj zu erhalten, rufen Sie „rekordbox.com“ auf und lesen Sie das rekordbox-Handbuch auf der Seite [Support] > [Manual].  
[rekordbox.com/](https://rekordbox.com/)

## Einstellen von DVS mit rekordbox



Es gibt vier DVS-Modi: ABSOLUTE, RELATIVE, INTERNAL, THROUGH. Klicken Sie auf die DECK-Nummer **1**, um den Modus über das Menü auszuwählen.

Wenn Sie den Modus auswählen, wird der ausgewählte Modusname (ABS REL INT THR) unter der DECK-Nummer angezeigt.

Der Modusname leuchtet, wenn das Steuersignal vom Plattenteller (oder CDJ, XDJ) empfangen wird.

Wenn das Steuersignal empfangen wird: **REL**

Wenn kein Steuersignal empfangen wird: **REL**

**ABS**: ABSOLUTE-Modus

- Die Position der Nadel auf dem Plattenteller ist mit der Wiedergabeposition von rekordbox DECK verknüpft.

**REL**: RELATIVE-Modus

- Die Position der Nadel auf dem Plattenteller ist nicht mit der Wiedergabeposition von rekordbox DECK verknüpft.

**INT**: INTERNAL-Modus

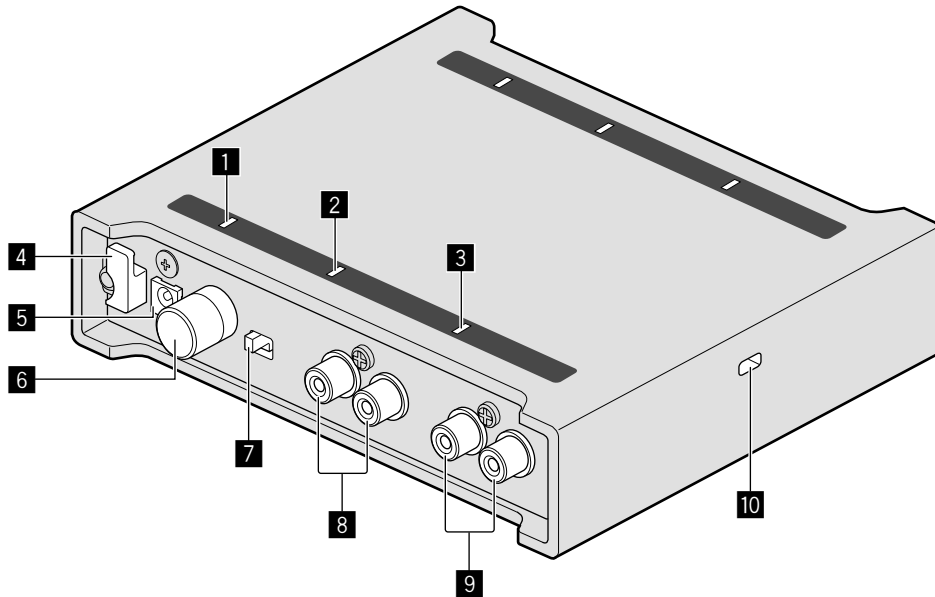
- Die Position der Nadel, die Wiedergaberichtung, das Tempo und die Vinyl-Bedienung auf dem Plattenteller sind nicht mit der DECK-Wiedergabe verknüpft.

**THR**: THROUGH-Modus

- Der Wiedergabeton des Plattentellers wird unverändert ausgegeben.

# Teilenamen

## Rückseite



**1** DC-Anzeige

**2** DECK2-Eingangsanzeige

**3** DECK1-Eingangsanzeige

**4** Kabelhaken

**5** DC IN-Anschluss

**6** SIGNAL GND-Anschluss

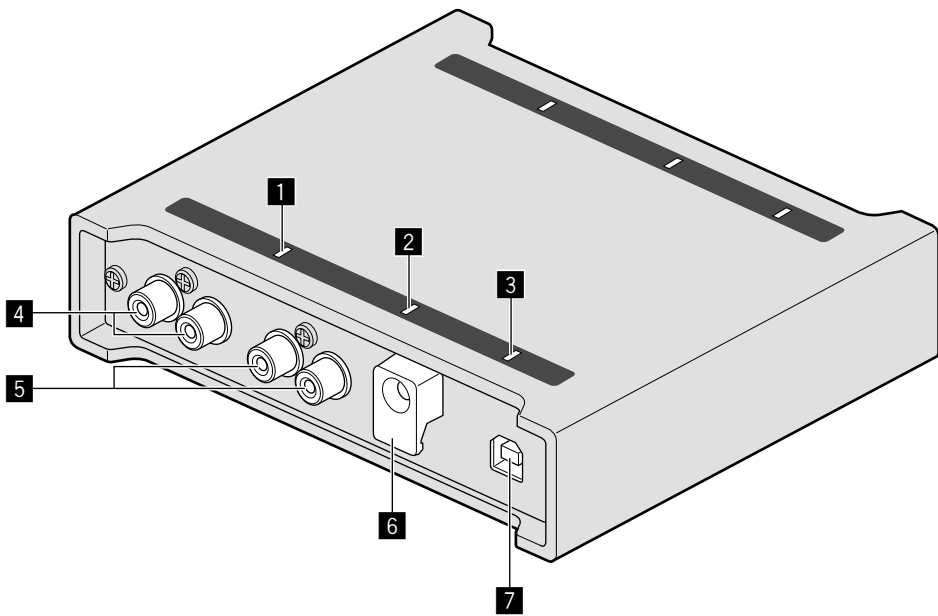
**7** Eingangsauswahlschalter

**8** DECK2-Eingangsanschlüsse

**9** DECK1-Eingangsanschlüsse

**10** Kensington-Diebstahlsicherung

# Frontplatte



- 1** DECK1-Ausgangsanzeige
- 2** DECK2-Ausgangsanzeige
- 3** USB-Anzeige
- 4** DECK1-Ausgangsanschlüsse
- 5** DECK2-Ausgangsanschlüsse
- 6** USB-Kabelhaken
- 7** USB-Anschluss (Typ B)

# Anschlüsse

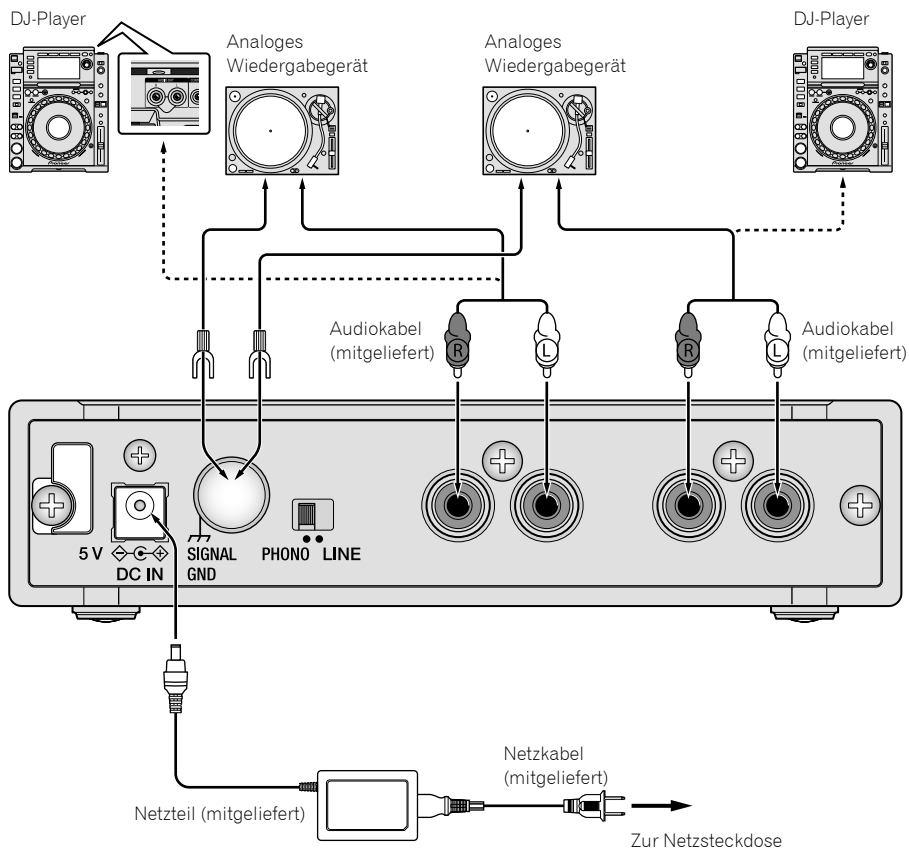
- Schließen Sie das Netzkabel an, nachdem alle Anschlüsse zwischen den Geräten vorgenommen wurden.  
Trennen Sie das USB-Kabel und ziehen Sie das Netzkabel aus der Netzsteckdose, bevor Sie Geräte anschließen oder die Anschlüsse ändern.
- Verwenden Sie immer das mitgelieferte Netzkabel und Netzteil.
- Die Stromversorgung erfolgt über das Netzteil oder den USB-Bus.
- Verbinden Sie dieses Gerät und den Computer direkt über das mitgelieferte USB-Kabel.
- Verwenden Sie USB-Kabel, die dem USB 2.0 Standard entsprechen.
- USB-Hubs können nicht verwendet werden.
- Beachten Sie die Bedienungsanleitung des angeschlossenen Geräts.

## Hinweise zur Verwendung der Stromversorgung über den USB-Bus

- In der folgenden Situation kann diese Einheit nicht im USB-Bus-Stromversorgungsbetrieb verwendet werden.  
— Die Stromversorgungskapazität des USB-Anschlusses Ihres Computers ist zu gering.  
— Ihr Computer ist mit anderen USB-Geräten verbunden.  
Wenn die Stromversorgung über den USB-Bus nicht verwendet werden kann, verwenden Sie das mitgelieferte Netzteil.
- Wenn Sie die Stromversorgung über den USB-Bus verwenden, sinkt die Helligkeit der LEDs.  
Um das zu verhindern, verwenden Sie das mitgelieferte Netzteil.

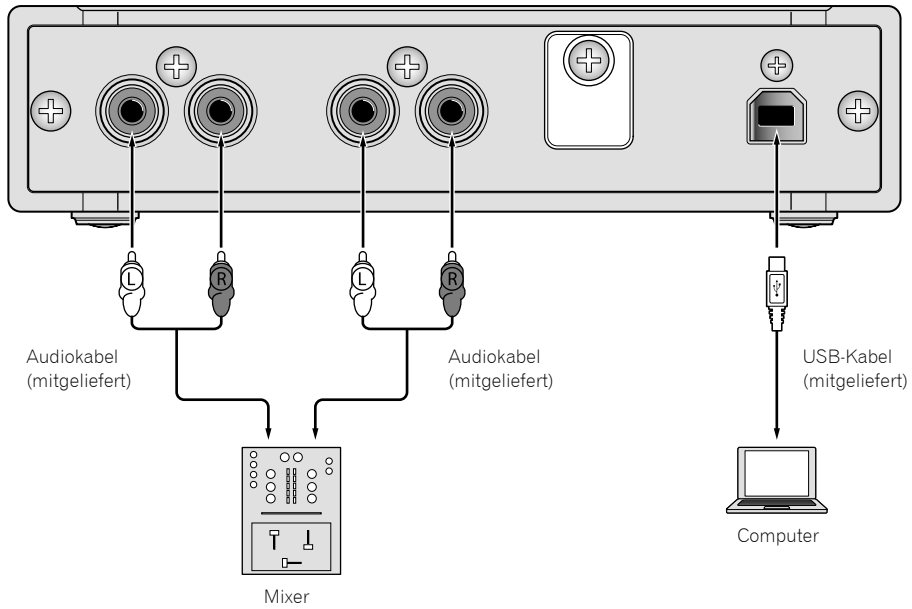
## Anschließen der Eingangs-/Ausgangsbuchsen

### Rückseite



## Frontplatte

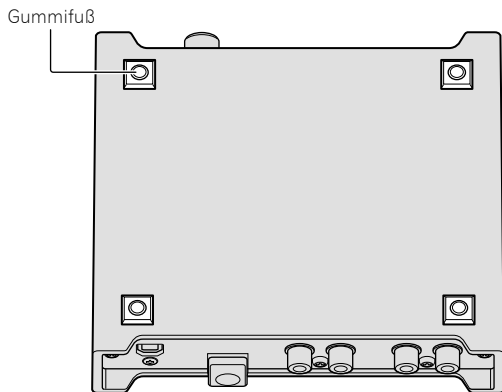
Die Audioausgabe erfolgt mit dem Bezugspegel.



---

## So bringen Sie die GummifüÙe an

Bringen Sie die GummifüÙe bei Bedarf am Gerät an. Abhängig davon, wo das Gerät platziert wird, sollten Sie die GummifüÙe entsprechend anbringen.

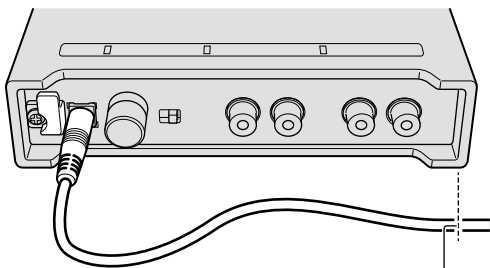


## So verwenden Sie den Kabelhaken/ USB-Kabelhaken

Das Netzkabel des Netzteils/das USB-Kabel wird fixiert, indem es in den Kabelhaken/USB-Kabelhaken eingehängt wird.  
Führen Sie das Netzkabel des Netzteils/USB-Kabel durch den Haken, um ein versehentliches Abziehen von diesem Gerät zu vermeiden.  
Verwenden Sie die Breite des Geräts als Richtwert für die Position, in der das Netzkabel des Netzteils/das USB-Kabel eingehakt werden sollte.

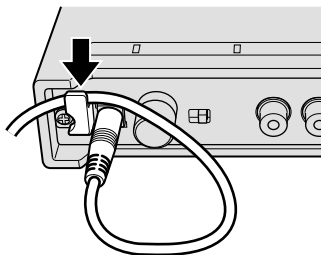
### Das Netzkabel des Netzteils

- 1 Schließen Sie das Netzkabel des Netzteils an den [DC IN]-Anschluss an.
- 2 Legen Sie die Position fest, in der das Netzkabel des Netzteils eingehakt werden soll.

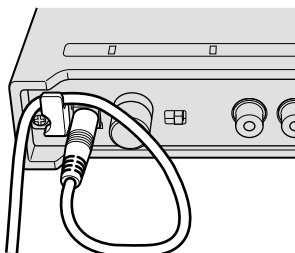


Die Position zum Einhängen des Netzkabels des Netzteils

- 3 Haken Sie das Netzkabel des Netzteils von oben ein.

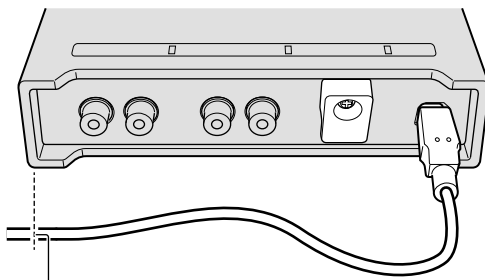


- 4 Stellen Sie sicher, dass Sie das Netzkabel des Netzteils sicher einhängen.



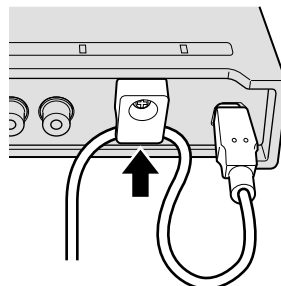
### Das USB-Kabel

- 1 Schließen Sie das USB-Kabel an den [USB]-Anschluss an.
- 2 Legen Sie die Position fest, in der das USB-Kabel eingehakt werden soll.

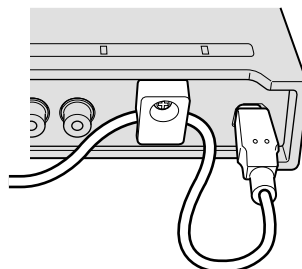


Die Position zum Einhängen des USB-Kabels

- 3 Haken Sie das USB-Kabel von unten ein.



- 4 Stellen Sie sicher, dass Sie das USB-Kabel sicher einhängen.



# Zusätzliche Informationen

## Störungssuche

- Wenn Sie den Eindruck haben, dass eine Störung dieses Geräts vorliegt, überprüfen Sie bitte die folgenden Punkte unter „Problembekämpfung“ in der Bedienungsanleitung und unter [FAQ] für das [INTERFACE 2] auf der Pioneer DJ-Website. [pioneerdj.com/support/](http://pioneerdj.com/support/)  
Prüfen Sie auch die angeschlossenen Geräte. Wenn das Problem nicht behoben werden kann, bitten Sie Ihr nächstgelegenes autorisiertes Pioneer-Kundendienstzentrum oder Ihren Händler, Reparaturarbeiten durchzuführen.
- Es kann sein, dass diese Einheit aufgrund von statischer Elektrizität oder anderen externen Einflüssen nicht korrekt arbeitet. In solchen Fällen kann der Betrieb durch Abziehen und erneutes Einstecken des Netzkabels wiederhergestellt werden.

## Über Markenzeichen und eingetragene Markenzeichen

- Pioneer DJ ist ein Markenzeichen der PIONEER CORPORATION und wird unter Lizenz verwendet.
- rekordbox ist eine Marke oder eingetragene Marke der Pioneer DJ Corporation.
- Windows ist ein eingetragenes Markenzeichen der Microsoft Corporation in den USA und anderen Ländern.
- Adobe und Reader sind Warenzeichen von Adobe Systems Incorporated in den USA und anderen Ländern.
- macOS, OS X und Finder sind eingetragene Markenzeichen von Apple Inc. in den USA und anderen Ländern.
- Intel und Intel Core sind Markenzeichen der Intel Corporation in den USA und/oder anderen Ländern.
- ASIO ist ein Markenzeichen von Steinberg Media Technologies GmbH.

Die hier erwähnten Produkt- oder Firmennamen sind Marken oder eingetragene Marken der jeweiligen Eigentümer.

## Hinweise zu Urheberrechten

rekordbox schränkt die Wiedergabe und Vervielfältigung von urheberrechtlich geschützten Musikinhalten ein.

- Wenn codierte Daten, usw. zum Schutz der Urheberrechte in Musik-Inhalten eingebettet sind, kann es unmöglich sein, das Programm normal auszuführen.
- Wenn rekordbox erkennt, dass kodierte Daten usw. für den Schutz der Urheberrechte in Musik-Inhalten eingebettet sind, kann der ablaufende Vorgang (Wiedergabe, Lesen, usw.) stoppen.

Aufnahmen, die Sie vornehmen, sind für Ihren persönlichen Genuss gedacht und dürfen nach dem Urheberrecht nicht ohne Zustimmung des Urheberrechtinhabers anderweitig verwendet werden.

- Von CDs usw. aufgenommene Musik ist durch die Urheberrechtsgesetze der jeweiligen Länder und durch internationale Verträge geschützt. Derjenige, der die Musik aufgenommen hat, trägt die volle Verantwortung dafür, dass sie rechtmäßig genutzt wird.
- Beim Umgang mit Musik, die aus dem Internet heruntergeladen wurde usw., liegt es in der vollen Verantwortung der Person, die den Musik-Download ausgeführt hat, sicherzustellen, dass die aufgenommenen Inhalte entsprechend den Vorschriften auf der Download-Site verwendet werden.

## Technische Daten

### Netzteil

Stromversorgung ..... 100 V bis 240 V Wechselspannung, 50 Hz/60 Hz  
Nennstrom ..... 0,4 A  
Nennleistung ..... 5 V Gleichstrom, 2 A

### Allgemein - Haupteinheit

Leistungsaufnahme ..... 5 V Gleichstrom, 600 mA  
Gewicht Haupteinheit ..... 0,6 kg  
Max. Abmessungen  
..... 141 mm (Breite) × 32,5 mm (Höhe) × 127,8 mm (Tiefe)  
Betriebstemperatur ..... +5 °C bis +35 °C  
Betriebsluftfeuchtigkeit ..... 5 % bis 85 % (keine Kondensation)

### Audio-Sektion

Abtastrate ..... 44,1 kHz/48 kHz/96 kHz  
D/A-Wandler ..... 32 Bit  
A/D-Wandler ..... 24 Bit  
Frequenzeigenschaften

**LINE** ..... 20 Hz bis 20 kHz  
Signalrauschabstand (Nennleistung)\*1

**USB** ..... 112 dB  
**LINE** ..... 103 dB  
**PHONO** ..... 100 dB

Gesamtklirrfaktor\*1

**USB** ..... 0,002 %  
**LINE** ..... 0,005 %  
**PHONO** ..... 0,007 %

Max. Eingangsspegel\*1

**LINE** ..... +12 dBu, 3,2 Veff  
**PHONO** ..... -22 dBu, 60 mVeff (1 kHz)

Eingangsimpedanz ..... 42 kΩ  
Nenn-Ausgangspegel / Lastimpedanz ..... +11 dBu, 2,8 Veff/10 kΩ  
Ausgangsimpedanz ..... 550 Ω  
Verstärkung

**PHONO** ..... +33 dB (1 kHz)

\*1 Abtastrate: bei 96 kHz

### Eingangs- / Ausgangsbuchsen

Eingangsbuchse  
Cinch-Buchse ..... 2 Sätze  
Ausgangsbuchse  
Cinch-Buchse ..... 2 Sätze

**USB**-Anschluss

B-Typ ..... 1 Satz

- Änderungen der technischen Daten und des Designs dieses Geräts ohne vorherige Ankündigung bleiben vorbehalten.
- © 2017 Pioneer DJ Corporation. Alle Rechte vorbehalten.





Vi ringraziamo per avere acquistato questo prodotto Pioneer DJ. Vi preghiamo di leggere queste istruzioni per l'uso in modo da sapere usare correttamente il proprio modello. Dopo aver letto queste istruzioni, riporle in un luogo sicuro per poterle consultare di nuovo al momento del bisogno. In alcuni paesi o regioni, la forma della spina di alimentazione e della presa di corrente possono non essere quelle delle illustrazioni. Il metodo di collegamento e di uso dell'unità però non cambia.

## ATTENZIONE

PER EVITARE IL RISCHIO DI SCOSSE ELETTRICHE, NON RIMUOVERE IL COPERCHIO (O IL RETRO). NON CI SONO PARTI INTERNE LA CUI MANUTENZIONE POSSA ESSERE EFFETTUATA DALL'UTENTE. IN CASO DI NECESSITÀ, RIVOLGERSI ESCLUSIVAMENTE A PERSONALE DI SERVIZIO QUALIFICATO.

D3-4-2-1-1\_B2\_It

## ATTENZIONE

Questo apparecchio non è impermeabile. Per prevenire pericoli di incendi o folgorazioni, non posizionare nelle vicinanze di questo apparecchio contenitori pieni di liquidi (quali vasi da fiori, o simili), e non esporre l'apparecchio a sgoccioli, schizzi, pioggia o umidità.

D3-4-2-1-3\_A1\_It

## ATTENZIONE

Per evitare il pericolo di incendi, non posizionare sull'apparecchio dispositivi con fiamme vive (ad esempio una candela accesa, o simili).

D3-4-2-1-7a\_A1\_It

## Condizioni ambientali di funzionamento

Gamma ideale della temperatura ed umidità dell'ambiente di funzionamento:

da +5 °C a +35 °C, umidità relativa inferiore all'85 % (fessure di ventilazione non bloccate)

Non installare l'apparecchio in luoghi poco ventilati, o in luoghi esposti ad alte umidità o alla diretta luce del sole (o a sorgenti di luce artificiale molto forti).

D3-4-2-1-7c\*\_A1\_It

## AVVERTENZA PER LA VENTILAZIONE

Installare l'apparecchio avendo cura di lasciare un certo spazio all'intorno dello stesso per consentire una adeguata circolazione dell'aria e migliorare la dispersione del calore (almeno 5 cm sul retro, e 3 cm su ciascuno dei lati).

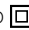
D3-4-2-1-7d\*\_A1\_It

Prima di usare il prodotto, controllare le norme sulla sicurezza stampate sul suo fondo.

D3-4-2-2-4\_B1\_It

Il simbolo grafico  stampigliato sul prodotto significa corrente alternata.

Il simbolo grafico  stampigliato sul prodotto significa corrente continua.

Il simbolo grafico  stampigliato sul prodotto significa apparecchio di Classe II.

D3-8-2-4\_A1\_It

## ATTENZIONE

Conservare i piccoli ricambi fuori dalla portata dei bambini e dei beb . Se inghiottiti accidentalmente, recarsi immediatamente dal medico.

D41-6-4\_A1\_It

## AVVERTIMENTO RIGUARDANTE IL FILO DI ALIMENTAZIONE

Prendete sempre il filo di alimentazione per la spina. Non tiratelo mai agendo per il filo stesso e non toccate mai il filo con le mani bagnate, perch  questo potrebbe causare cortocircuiti o scosse elettriche. Non collocate l'unit , oppure dei mobili sopra il filo di alimentazione e controllate che lo stesso non sia premuto. Non annodate mai il filo di alimentazione n  collegatelo con altri fili. I fili di alimentazione devono essere collocati in tal modo che non saranno calpestati. Un filo di alimentazione danneggiato potrebbe causare incendi o scosse elettriche. Controllate il filo di alimentazione regolarmente. Quando localizzate un eventuale danno, rivolgetevi al pi  vicino centro assistenza oppure al vostro rivenditore per la sostituzione del filo di alimentazione.

5002\*\_A1\_It

## AVVERTENZA

Questo prodotto   stato collaudato in condizioni di clima moderato e tropicale.

D3-8-2-1-7a\_A1\_It

Questo prodotto   destinato esclusivamente all'uso domestico. Eventuali disfunzioni dovute ad usi diversi (quali uso prolungato a scopi commerciali, in ristoranti, o uso in auto o su navi) e che richiedano particolari riparazioni, saranno a carico dell'utente, anche se nel corso del periodo di garanzia.

K041\_A1\_It

## AVVERTENZA

Dal momento che il cavo di alimentazione costituisce l'unico dispositivo di distacco dell'apparecchio dalla sorgente di alimentazione, il cavo stesso deve essere staccato dalla presa di corrente alternata di rete per sospendere completamente qualsiasi flusso di corrente. Verificare quindi che l'apparecchio sia stato installato in modo da poter procedere con facilit  al distacco del cavo di alimentazione dalla presa di corrente, in caso di necessit . Per prevenire pericoli di incendi, inoltre, il cavo di alimentazione deve essere staccato dalla presa di corrente alternata di rete se si pensa di non utilizzare l'apparecchio per periodi di tempo relativamente lunghi (ad esempio, durante una vacanza).



Se si vuole eliminare questo prodotto, non gettarlo insieme ai rifiuti domestici. Esiste un sistema di raccolta differenziata in conformità alle leggi che richiedono appositi trattamenti, recupero e riciclo.

I privati cittadini dei paesi membri dell'UE, di Svizzera e Norvegia, possono restituire senza alcun costo i loro prodotti elettronici usati ad appositi servizi di raccolta o a un rivenditore (se si desidera acquistarne uno simile).

Per i paesi non citati qui sopra, si prega di prendere contatto con le autorità locali per il corretto metodo di smaltimento.

In questo modo, si è sicuri che il proprio prodotto eliminato subirà il trattamento, il recupero e il riciclo necessari per prevenire gli effetti potenzialmente negativi sull'ambiente e sulla vita dell'uomo.

K058b\_A1\_It

---

---

# Indice

## Come leggere questo manuale

Vi ringraziamo per avere acquistato questo prodotto Pioneer DJ. Accertarsi di leggere questo manuale e le Istruzioni per l'uso disponibili sul sito di Pioneer DJ. Entrambi i documenti includono informazioni importanti da comprendere prima di utilizzare questo prodotto.

In particolare, assicurarsi di leggere la sezione "NORME DI SICUREZZA IMPORTANTI". Inoltre, accertarsi di custodire questo manuale insieme con la "Garanzia".

Per il funzionamento del software rekordbox, consultare il manuale del software di rekordbox.

- Tenere presente che le schermate e la caratteristiche del software descritto in questo manuale, oltre all'aspetto esterno e alle caratteristiche del software, sono in fase di sviluppo e possono differire da quelle finali.
- Tenere presente che le procedure di uso possono differire da quanto descritto in questo manuale a seconda del sistema operativo, delle impostazioni del browser, ecc.
- Notare che la lingua visualizzata sulle schermate del software descritto nella presente guida potrebbe variare dalla lingua del sistema in uso.

Questo manuale fornisce brevi descrizioni dei nomi delle parti di questa unità e dei collegamenti tra questa unità e le periferiche. Per istruzioni più dettagliate sull'uso di questa unità, vedere le Istruzioni per l'uso per questa unità.

- Per come ottenere le Istruzioni per l'uso di questa unità, vedere *Visualizzazione dei manuali* a pagina 5.

## 01 Prima di cominciare

Caratteristiche.....	5
Contenuto della confezione.....	5
Visualizzazione dei manuali.....	5
Informazioni su rekordbox.....	5
Installazione di rekordbox.....	6

## 02 Nomi delle parti

Pannello posteriore.....	7
Pannello anteriore.....	8

## 03 Collegamenti

Collegamento ai terminali di ingresso/uscita.....	9
---	---

## 04 Ulteriori informazioni

Diagnostica.....	12
Informazioni su marchi e marchi registrati.....	12
Precauzioni sui copyright.....	12
Dati tecnici.....	12

# Prima di cominciare

## Caratteristiche

Questa unità è un'interfaccia audio a 2 canali che consente di utilizzare rekordbox dvs quando in combinazione con un mixer esistente. Grazie a una qualità del suono professionale pronta per un uso on-site e a un telaio portatile compatto e robusto, saranno possibili performance DJ con DVS in ogni momento e in ogni luogo. Gli indicatori LED sul pannello superiore mostrano il flusso del suono e rendono facile il corretto collegamento on-site.

## Contenuto della confezione

- Cavo di alimentazione
- Adattatore CA
- Cavo USB
- Cavo audio × 4
- Piedini in gomma × 4
- Istruzioni per l'uso (Guida di avvio veloce) (questo documento)
- Garanzia (per alcune regioni)\*
- Scheda della chiave di licenza (rekordbox dj, rekordbox dvs)

\* La garanzia acclusa vale per l'Europa.

### Nota

Conservare la chiave di licenza in quanto non può essere fornita nuovamente.

## Visualizzazione dei manuali

### Visualizzazione delle Istruzioni per l'uso di questa unità

- 1 Lanciare il web browser del proprio computer e raggiungere il sito Pioneer DJ indicato di seguito.  
pioneerdj.com/
  - Per cambiare la lingua, scorrere la schermata, fare clic sul flag o sull'icona GLOBAL nella parte inferiore destra dello schermo e selezionare la lingua dal menu a discesa.
- 2 Fare clic su [Supporto].
- 3 Fare clic su [TROVA TUTORIAL E MANUALI].
- 4 Digitare [INTERFACE 2] nella barra di ricerca e fare clic sul link che viene visualizzato.
- 5 Fare clic sulla lingua desiderata dall'elenco.  
Scaricare i manuali necessari.

### Visualizzazione delle Istruzioni per l'uso di rekordbox

- 1 Lanciare il web browser del proprio computer e accedere al sito rekordbox.com indicato di seguito.  
rekordbox.com/
- 2 Fare clic su [Supporto].
- 3 Fare clic su [Manuale].
- 4 Fare clic sulla lingua del manuale desiderata.

## Informazioni su rekordbox

- rekordbox  
rekordbox è un software composito che consente la gestione delle tracce e le Performance DJ.
- rekordbox dj  
La funzione Performance DJ di rekordbox viene denominata rekordbox dj. Immettere la chiave di licenza illustrata sulla scheda della chiave di licenza di rekordbox dj in dotazione con questo prodotto per utilizzare rekordbox dj.
- rekordbox dvs  
La funzione DVS, funzione che è possibile aggiungere alla rekordbox dj per eseguire operazioni con il deck utilizzando i segnali di controllo riprodotti con CDJ o un giradischi, viene denominata rekordbox dvs. Immettendo la chiave di licenza illustrata sulla scheda della chiave di licenza in dotazione con questo prodotto viene consentita l'aggiunta di questa funzione a rekordbox dj.

### Ambiente operativo minimo richiesto

Sistemi operativi supportati	CPU e memoria richiesti
macOS Sierra 10.12 (aggiornamento più recente) OS X: 10.11/10.10/10.9 (aggiornamento più recente)	Processore Intel® Core™ i3/i5/i7, Processore Intel® Core™ 2 Duo 4 GB o più di RAM
Windows: Windows 10/Windows 8.1/ Windows 7 (service pack più recente)	Processore Intel® Core™ i3/i5/i7, Processore Intel® Core™ 2 Duo 4 GB o più di RAM
Altri	
Porta USB	Il collegamento del computer a questa unità richiede una porta USB 2.0.
Risoluzione del display	Risoluzione da 1280 × 768 o superiore
Collegamento Internet	La registrazione dell'account utente rekordbox e il download del software richiedono un collegamento Internet.

- Per informazioni sul più recente ambiente operativo, sulla compatibilità e sui sistemi operativi supportati di rekordbox, consultare [Ambiente operativo] sul seguente sito rekordbox.com.  
rekordbox.com/
- Non si garantisce il funzionamento su tutti i computer, anche se soddisfano le condizioni di ambiente operativo minime qui indicate.
- In base alle impostazioni di risparmio energetico del computer, ecc., la CPU e il disco rigido potrebbero non fornire una sufficiente capacità di elaborazione. Quando si utilizza rekordbox, in particolare per i computer notebook, accertarsi che il computer sia in condizioni appropriate per garantire prestazioni elevate costanti (ad esempio tenendo l'adattatore di alimentazione CA collegato).
- L'uso di Internet richiede un contratto separato con un operatore che offra servizi di Internet e il pagamento delle relative tariffe.
- Utilizzare la versione/service pack più recente del sistema operativo.

## Installazione di rekordbox

### 1 Accedere a rekordbox.com.

[rekordbox.com/it/store/](http://rekordbox.com/it/store/)

- Il contenuto della pagina è soggetto a modifiche senza preavviso.

### 2 Leggere la Guida rapida e quindi fare clic su [Download Gratis].



### 3 Leggere attentamente l'accordo di licenza per l'utente finale del software e selezionare la casella di controllo [Agree] se si accettano i termini.

Dopo aver selezionato la casella di controllo, sarà possibile fare clic su [Download].

### 4 Fare clic su [Download].

Il download di rekordbox viene avviato.

### 5 Fare doppio clic sul file scaricato per decomprimerlo.

### 6 Fare doppio clic sul file decompresso per avviare il programma di installazione.

### 7 Leggere attentamente l'accordo di licenza per l'utente finale del software e, se si è d'accordo, continuare l'installazione seguendo le istruzioni sullo schermo.

- Se non si è d'accordo con l'accordo di licenza per l'utente finale del software, annullare l'installazione.

### 8 Quando viene visualizzata la schermata di completamento dell'installazione, seguire le istruzioni sullo schermo per chiudere il programma di installazione.

L'installazione è completa.

- Per utilizzare rekordbox dj e rekordbox dvs, è necessaria l'attivazione (autenticazione della licenza). Per dettagli, vedere le Istruzioni per l'uso di rekordbox. [rekordbox.com/it/support/manual.php](http://rekordbox.com/it/support/manual.php)

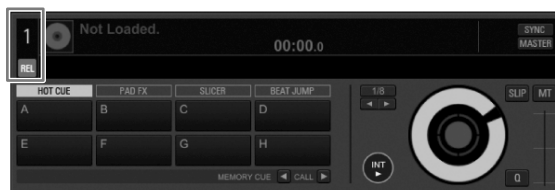
## Immettere la chiave di licenza per attivare rekordbox dj.

- Impostare rekordbox su [PERFORMANCE].
- Fare clic su [Activate] in [Preferenze] > [License] > [rekordbox dj].

Immettere le chiavi di licenza che si trovano sulla scheda della chiave di licenza in dotazione con questa unità, quindi seguire le istruzioni a schermo per attivare rekordbox dj e rekordbox dvs.

- Per la procedura di attivazione di rekordbox dj, accedere a "rekordbox.com" e leggere il Manuale di rekordbox sulla pagina [Supporto] > [Manuale]. [rekordbox.com/](http://rekordbox.com/)

## Impostazione di DVS con rekordbox



Esistono quattro tipi di modalità DVS: ABSOLUTE, RELATIVE, INTERNAL, THROUGH.

Fare clic sul numero DECK **1** per selezionare la modalità dal menu.

Quando si seleziona la modalità, il nome della modalità selezionata (ABS REL INT THR) viene visualizzato sotto al numero DECK.

Il nome della modalità si illumina quando si riceve il segnale di comando dai giradischi (o CDJ, XDJ).

Quando si riceve il segnale di comando: **REL**

Quando non si riceve alcun segnale di comando: **REL**

**ABS**: modalità ABSOLUTE

- La posizione della puntina sul giradischi è collegata alla posizione di riproduzione di rekordbox DECK.

**REL**: modalità RELATIVE

- La posizione della puntina sul giradischi non è collegata alla posizione di riproduzione di rekordbox DECK.

**INT**: modalità INTERNAL

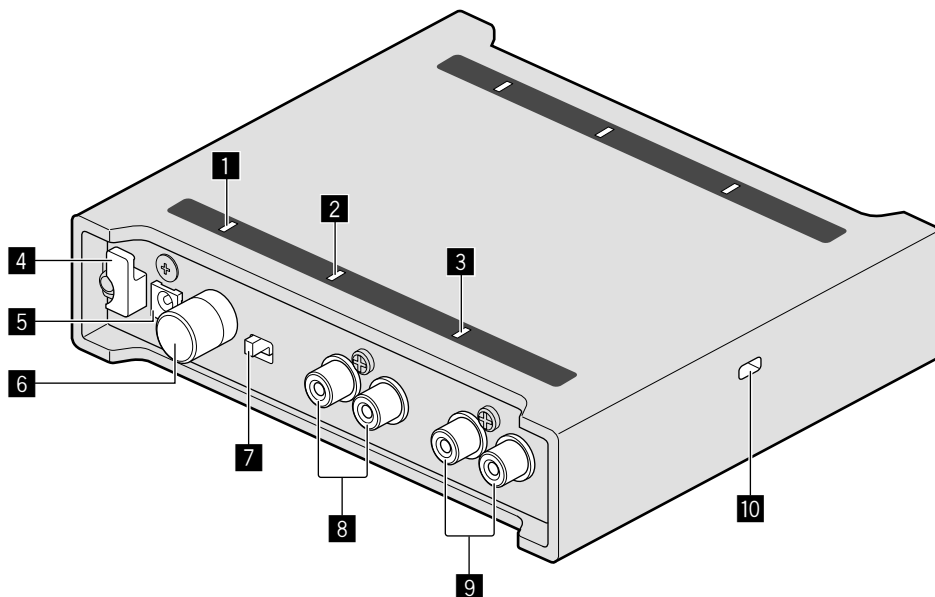
- La posizione della puntina, la direzione di riproduzione, il tempo e il funzionamento Vinyl sul giradischi non sono collegati alla riproduzione di DECK.

**THR**: modalità THROUGH

- Il suono di riproduzione del giradischi viene emesso così com'è.

# Nomi delle parti

## Pannello posteriore



**1** Indicatore DC

**2** Indicatore ingresso DECK2

**3** Indicatore ingresso DECK1

**4** Gancio del cavo

**5** Terminale DC IN

**6** Terminale SIGNAL GND

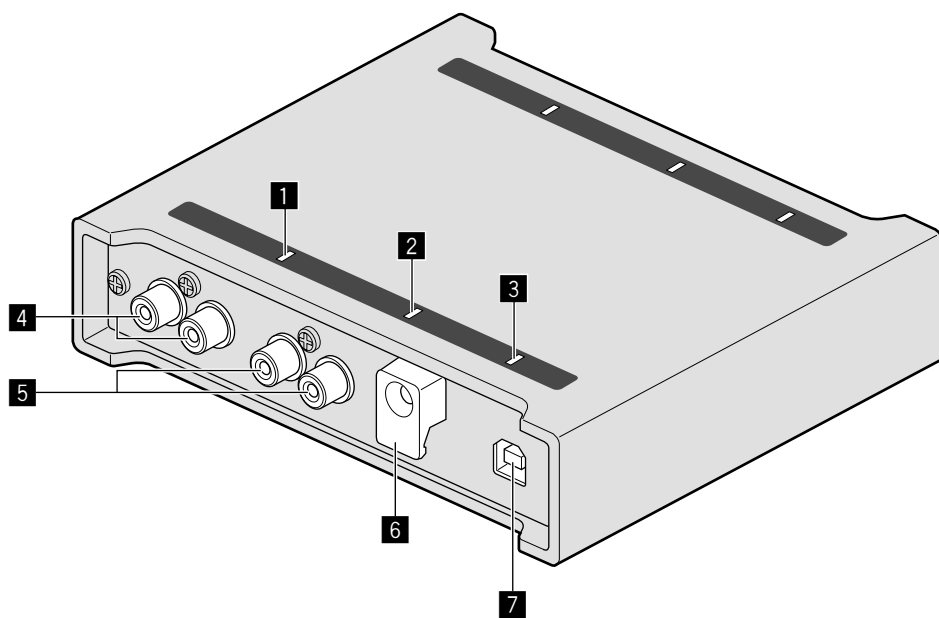
**7** Selettore di ingresso

**8** Terminali di ingresso DECK2

**9** Terminali di ingresso DECK1

**10** Slot di sicurezza Kensington

## Pannello anteriore



**1** Indicatore di uscita DECK1

**2** Indicatore di uscita DECK2

**3** Indicatore USB

**4** Terminali di uscita DECK1

**5** Terminali di uscita DECK2

**6** Gancio del cavo USB

**7** Porta USB (Tipo B)



# Collegamenti

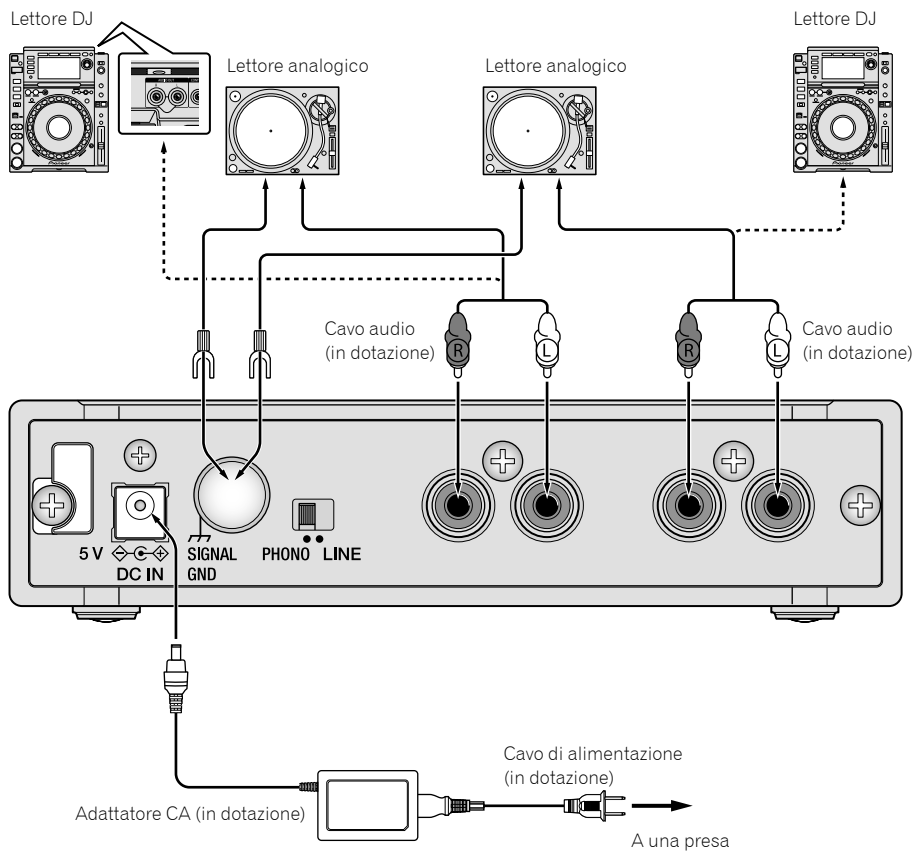
- Collegare il cavo di alimentazione dopo che tutti i collegamenti fra dispositivi sono stati fatti.  
Prima di fare o modificare collegamenti, non mancare di rimuovere il cavo USB e di scollegare il cavo di alimentazione.
- Utilizzare esclusivamente il cavo di alimentazione e l'adattatore CA in dotazione.
- L'alimentazione viene fornita dall'adattatore CA o dal bus USB.
- Collegare questa unità e il computer direttamente col cavo USB in dotazione.
- Utilizzare cavi USB conformi allo standard USB 2.0.
- Gli hub USB non sono utilizzabili.
- Consultare le istruzioni per l'uso del dispositivo da collegare.

## Note sull'uso del bus USB

- L'unità non può essere utilizzata con bus USB nelle seguenti situazioni.
  - La capacità di alimentazione della porta USB sul computer è troppo bassa.
  - Il computer è collegato ad altri dispositivi USB.
- Se non è possibile utilizzare il bus USB, utilizzare l'adattatore CA in dotazione.
- Quando si utilizza il bus USB, la luminosità dei LED diminuisce.  
Per un uso senza restrizioni, utilizzare l'adattatore CA in dotazione.

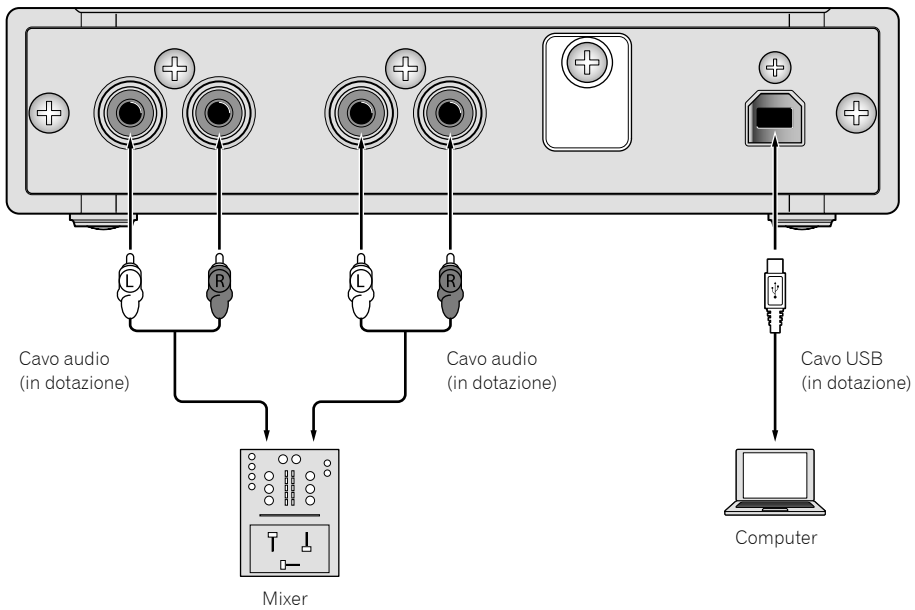
## Collegamento ai terminali di ingresso/uscita

### Pannello posteriore



## Pannello anteriore

L'audio sarà emesso a livello di linea.

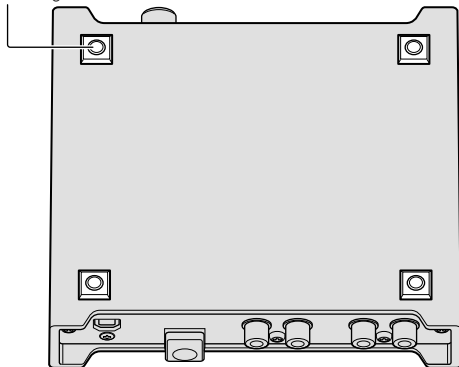


---

## Come attaccare i piedini in gomma

Se necessario, attaccare i piedini in gomma all'unità. A seconda del posizionamento dell'unità, attaccare opportunamente i piedini in gomma.

Piedino in gomma

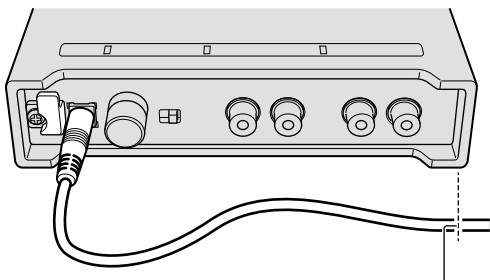


## Come utilizzare il gancio del cavo/gancio del cavo USB

Il cavo di alimentazione dell'adattatore CA/cavo USB viene fissato agganciandolo al gancio del cavo/gancio del cavo USB. Agganciare il cavo di alimentazione dell'adattatore CA/cavo USB onde evitare un loro scollegamento accidentale dall'unità. Per la posizione di aggancio del cavo di alimentazione dell'adattatore CA/cavo USB, utilizzare la larghezza dell'unità come guida.

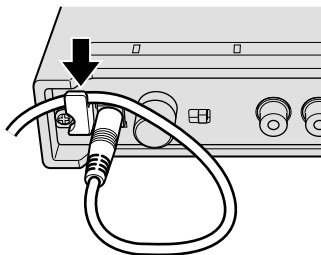
### Il cavo di alimentazione dell'adattatore CA

- 1 Collegare il cavo di alimentazione dell'adattatore CA al terminale [DC IN].
- 2 Fissare la posizione per agganciare il cavo di alimentazione dell'adattatore CA.

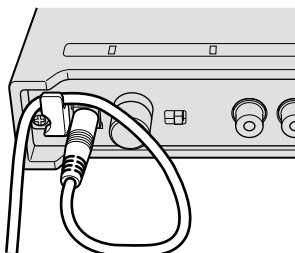


La posizione per agganciare il cavo di alimentazione dell'adattatore CA

- 3 Agganciare il cavo di alimentazione dell'adattatore CA dall'alto.

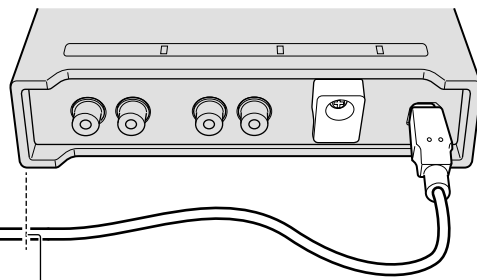


- 4 Accertarsi di agganciare il cavo di alimentazione dell'adattatore CA in modo sicuro.



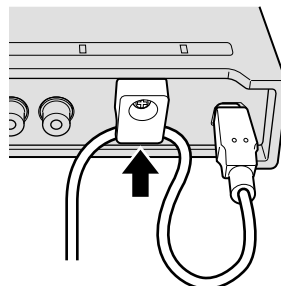
### Il cavo USB

- 1 Collegare il cavo USB alla porta [USB].
- 2 Fissare la posizione per agganciare il cavo USB.

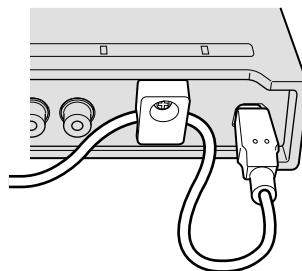


La posizione per agganciare il cavo USB

- 3 Agganciare il cavo USB dal basso.



- 4 Accertarsi di agganciare il cavo USB in modo sicuro.



# Ulteriori informazioni

## Diagnostica

- Se si ritiene che l'unità sia guasta, controllare la voci della "Diagnostica" riportate nelle Istruzioni per l'uso e controllare le [FAQ] per [INTERFACE 2] sul sito di Pioneer DJ. [pioneerdj.com/support/](http://pioneerdj.com/support/)  
Inoltre, controllare i dispositivi collegati. Se il problema non può essere risolto, chiedere assistenza tecnica al più vicino centro assistenza o rivenditore autorizzato Pioneer.
- Questa unità potrebbe non funzionare a causa di elettricità statica o altre influenze esterne. In tali casi, potrebbe essere ripristinato il funzionamento normale scollegando il cavo di alimentazione e quindi ricollegandolo.

## Informazioni su marchi e marchi registrati

- Pioneer DJ è un marchio di PIONEER CORPORATION e viene riportato su licenza.
- rekordbox è un marchio o un marchio registrato di Pioneer DJ Corporation.
- Windows è un marchio depositato della Microsoft Corporation negli Stati Uniti ed altri paesi.
- Adobe e Reader sono marchi di Adobe Systems Incorporated negli Stati Uniti e in altri Paesi.
- macOS, OS X e Finder sono marchi di fabbrica di Apple Inc., registrati negli Stati Uniti e in altri paesi.
- Intel e Intel Core sono marchi di fabbrica della Intel Corporation negli Stati Uniti e/o in altri paesi.
- ASIO è un marchio di fabbrica della Steinberg Media Technologies GmbH.

I nomi delle aziende e dei prodotti menzionati sono marchi di fabbrica o marchi di fabbrica depositati dei rispettivi proprietari.

## Precauzioni sui copyright

rekordbox limita la riproduzione e la duplicazione di contenuti musicali protetti da copyright.

- Quando nei contenuti musicali sono integrati dati codificati, ecc., per la protezione del copyright, il normale funzionamento del programma potrebbe non essere possibile.
- Quando rekordbox rileva che vi sono dati codificati, ecc., per la protezione del copyright integrati nei contenuti musicali, l'elaborazione (riproduzione, lettura, ecc.) potrebbe interrompersi.

Le registrazioni eseguite sono per il godimento personale e secondo le leggi sul copyright non possono essere utilizzate senza il consenso di chi detiene il copyright.

- La musica registrata da CD, ecc., è protetta dalle leggi sul copyright dei singoli Paesi e dai trattati internazionali. È la piena responsabilità della persona che ha registrato la musica garantire che sia utilizzata legalmente.
- Quando si tratta con musica scaricata da Internet, ecc., la piena responsabilità che essa venga utilizzata secondo le modalità del contratto col sito di scaricamento ricade sulla persona che ha scaricato tale musica.

## Dati tecnici

### Adattatore CA

Alimentazione ..... da CA 100 V a 240 V, 50 Hz/60 Hz  
Corrente nominale ..... 0,4 A  
Tensione nominale di uscita ..... CC 5 V, 2 A

### Dati generali - Unità principale

Consumo di corrente ..... CC 5 V, 600 mA  
Peso dell'unità principale ..... 0,6 kg  
Dimensioni max.  
..... 141 mm (larghezza) × 32,5 mm (altezza) × 127,8 mm (profondità)  
Temperatura di funzionamento tollerabile ..... da +5 °C a +35 °C  
Umidità di funzionamento tollerabile ..... da 5% a 85% (senza condensa)

### Sezione audio

Frequenza di campionamento ..... 44,1 kHz/48 kHz/96 kHz  
Convertitore D/A ..... 32 bit  
Convertitori A/D ..... 24 bit  
Caratteristiche di frequenza

**LINE** ..... da 20 Hz a 20 kHz

Rapporto S/R (uscita dichiarata)\*1

**USB** ..... 112 dB

**LINE** ..... 103 dB

**PHONO** ..... 100 dB

Distorsione armonica totale\*1

**USB** ..... 0,002%

**LINE** ..... 0,005%

**PHONO** ..... 0,007%

Livello ingresso max.\*1

**LINE** ..... +12 dBu, 3,2 Vrms

**PHONO** ..... -22 dBu, 60 mVrms (1 kHz)

Impedenza ingresso ..... 42 kΩ

Livello di uscita/impedenza di carico dichiarati

..... +11 dBu, 2,8 Vrms/10 kΩ

Impedenza di uscita ..... 550 Ω

Guadagno

**PHONO** ..... +33 dB (1 kHz)

\*1 Frequenza di campionamento: a 96 kHz

### Terminali di ingresso/uscita

Terminale di ingresso

Pres a spinotto RCA ..... 2 set

Terminale di uscita

Pres a spinotto RCA ..... 2 set

Porta **USB**

Tipo B ..... 1 set

- I dati tecnici e il design di questo prodotto sono soggetti a modifiche senza preavviso.

- © 2017 Pioneer DJ Corporation. Tutti i diritti riservati.



Hartelijk dank voor uw aankoop van dit Pioneer DJ product. Lees deze gebruiksaanwijzing aandachtig door om bekend te raken met de juiste bediening van uw apparaat. Na het doorlezen van de gebruiksaanwijzing dient u deze te bewaren op een veilige plaats, voor latere naslag. In bepaalde landen of gebieden kan de vorm van de netsnoerstekker en het stopcontact verschillen van de afbeeldingen bij de onderstaande uitleg. De aansluitmethode blijft overigens gelijk, evenals de bediening van het apparaat.

## LET OP

OM HET GEVAAR VOOR EEN ELEKTRISCHE SHOCK TE VOORKOMEN, DEKSEL (OF RUG) NIET VERWIJDEREN. AAN DE BINNENZIJDE BEVINDEN ZICH GEEN ELEMENTEN DIE DOOR DE GEBRUIKER KUNNEN BEDIEND WORDEN. ENKEL DOOR GEKWALIFICEERD PERSONEEL TE BEDIENEN.

D3-4-2-1-1\_B2\_NI

## WAARSCHUWING

Dit apparaat is niet waterdicht. Om brand of een elektrische schok te voorkomen, mag u geen voorwerp dat vloeistof bevat in de buurt van het apparaat zetten (bijvoorbeeld een bloemenvaas) of het apparaat op andere wijze blootstellen aan waterdruppels, opspattend water, regen of vocht.

D3-4-2-1-3\_A1\_NI

## WAARSCHUWING

Om brand te voorkomen, mag u geen open vuur (zoals een brandende kaars) op de apparatuur zetten.

D3-4-2-1-7a\_A1\_NI

## BELANGRIJKE INFORMATIE BETREFFENDE DE VENTILATIE

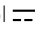
Let er bij het installeren van het apparaat op dat er voldoende vrije ruimte rondom het apparaat is om een goede doorstroming van lucht te waarborgen (tenminste 5 cm achter en 3 cm aan de zijkanten van het apparaat).


D3-4-2-1-7d\*\_A1\_NI

Controleer voor gebruik van het product de veiligheidsinformatie aan de onderkant van het apparaat.

D3-4-2-4\_B1\_NI

Het grafische symbool  op het product betekent wisselstroom.

Het grafische symbool  op het product betekent gelijkstroom.

Het grafische symbool  op het product betekent apparatuur van klasse II.

D3-8-2-4\_A1\_NI

## LET OP

Dit product is beoordeeld onder omstandigheden van een gematigd en tropisch klimaat.

D3-8-2-1-7a\_A1\_NI

## WAARSCHUWING

Berg kleine onderdelen op buiten het bereik van kinderen en peuters. Raadpleeg onmiddellijk een arts indien kleine onderdelen per ongeluk worden ingeslikt.

D41-6-4\_A1\_NI

## WAARSCHUWING NETSNOER

Pak het netsnoer beet bij de stekker. Trek de stekker er niet uit door aan het snoer te trekken en trek nooit aan het netsnoer met natte handen aangezien dit kortsluiting of een elektrische schok tot gevolg kan hebben. Plaats geen toestel, meubelstuk o.i.d. op het netsnoer, en klem het niet vast. Maak er nooit een knoop in en verbind het evenmin met andere snoeren. De netsnoeren dienen zo te worden geleid dat er niet per ongeluk iemand op gaat staan. Een beschadigd netsnoer kan brand of een elektrische schok veroorzaken. Controleer het netsnoer af en toe. Wanneer u de indruk krijgt dat het beschadigd is, dient u bij uw dichtstbijzijnde onderhoudscentrum of uw dealer een nieuw snoer te kopen.

S002\*\_A1\_NI

## Gebruiksomgeving

Temperatuur en vochtigheidsgraad op de plaats van gebruik:

+5 °C tot +35 °C, minder dan 85 % RH (ventilatieopeningen niet afgedekt)

Zet het apparaat niet op een slecht geventileerde plaats en stel het apparaat ook niet bloot aan hoge vochtigheid of direct zonlicht (of sterke kunstmatige verlichting).

D3-4-2-1-7c\*\_A1\_NI

Dit apparaat is bestemd voor normaal huishoudelijk gebruik. Indien het apparaat voor andere doeleinden of op andere plaatsen wordt gebruikt (bijvoorbeeld langdurig gebruik in een restaurant voor zakelijke doeleinden, of gebruik in een auto of boot) en als gevolg hiervan defect zou raken, zullen de reparaties in rekening gebracht worden, ook als het apparaat nog in de garantieperiode is.

K041\_A1\_NI

## LET OP

Aangezien er na het uitschakelen van het apparaat nog een kleine hoeveelheid stroom blijft lopen, moet u de stekker uit het stopcontact halen om het apparaat volledig van het lichtnet los te koppelen. Plaats het apparaat zodanig dat de stekker in een noodgeval gemakkelijk uit het stopcontact kan worden gehaald. Om brand te voorkomen, moet u de stekker uit het stopcontact halen wanneer u het apparaat langere tijd niet denkt te gebruiken (bijv. wanneer u op vakantie gaat).



Deponeer dit product niet bij het gewone huishoudelijk afval wanneer u het wilt verwijderen. Er bestaat een speciaal wettelijk voorgeschreven verzamelsysteem voor de juiste behandeling, het opnieuw bruikbaar maken en de recycling van gebruikte elektronische producten.

In de lidstaten van de EU, Zwitserland en Noorwegen kunnen particulieren hun gebruikte elektronische producten gratis bij de daarvoor bestemde verzamelplaatsen of een verkooppunt (indien u aldaar een gelijkwaardig nieuw product koopt) inleveren.

Indien u zich in een ander dan bovengenoemd land bevindt kunt u contact opnemen met de plaatselijke overheid voor informatie over de juiste verwijdering van het product.

Zodoende zorgt u ervoor dat het verwijderde product op de juiste wijze wordt behandeld, opnieuw bruikbaar wordt gemaakt, gerecycleerd en het niet schadelijk is voor de gezondheid en het milieu.

K058b\_A1\_NI

---

---

# Inhoud

## Opmerkingen over deze handleiding

Hartelijk dank voor uw aankoop van dit Pioneer DJ-product. Zorg dat u zowel deze handleiding als de handleiding op de website van Pioneer DJ gelezen heeft. Beide documenten bevatten belangrijke informatie die u moet begrijpen voordat u dit product gebruikt. Lees vooral de "BELANGRIJKE VEILIGHEIDSINSTRUCTIES". Bewaar deze handleiding verder samen met de "Garantie".

Raadpleeg de softwarehandleiding van de rekordbox voor het bedienen van de software.

- Wij wijzen u erop dat de schermen en de technische gegevens van de in deze handleiding beschreven software en het uiterlijk en de specificaties van de hardware op moment van schrijven nog onder ontwikkeling zijn en derhalve kunnen afwijken van de uiteindelijke specificaties.
- Let op, want afhankelijk van de versie van uw besturingssysteem, instellingen van uw webbrowser enz. kan de bediening afwijken van de procedures zoals beschreven in deze handleiding.
- Wij wijzen u erop dat de taal op de schermen van de in deze handleiding beschreven software kan afwijken van de taal op uw schermen.

Deze handleiding bevat korte omschrijvingen omtrent de namen van onderdelen van dit apparaat en de aansluitingen tussen dit apparaat en de randapparatuur. Kijk in de handleiding voor dit apparaat voor gedetailleerdere instructies over het gebruik van dit apparaat.

- Kijk op *De handleidingen bekijken* op pagina 5 voor hoe u de handleiding kunt raadplegen.

## 01 Voordat u begint

Kenmerken .....	5
Inhoud van de doos .....	5
De handleidingen bekijken .....	5
Informatie over rekordbox .....	5
Rekordbox installeren .....	6

## 02 Namen van onderdelen

Achterpaneel .....	7
Voorpaneel .....	8

## 03 Aansluitingen

Aansluiten van de in-/uitgangen .....	9
---------------------------------------	---

## 04 Aanvullende informatie

Problemen oplossen .....	12
Informatie over handelsmerken en gedeponeerde handelsmerken .....	12
Waarschuwingen betreffende auteursrechten .....	12
Technische gegevens .....	12



# Voordat u begint

## Kenmerken

Dit apparaat is een 2-kanaals geluidsinterface waarmee u rekordbox dvs kunt gebruiken in combinatie met een mengpaneel. Dankzij de professionele geluidskwaliteit die op locatie zonder aanpassingen meteen klaar voor gebruik is en de draagbare, compacte en stevige behuizing, kunnen DJ's met behulp van DVS overal en altijd optreden. Ledlampjes op het bovenpaneel tonen de geluidsstroom en maken de verbinding op locatie eenvoudig.

## Inhoud van de doos

- Stroomsnoer
- Netstroomadapter
- USB-kabel
- Audio-kabel × 4
- Rubberen pootje × 4
- Handleiding (Snelstartgids) (dit document)
- Garantie (voor bepaalde regio's)\*
- Kaart met licentiecode (rekordbox dj, rekordbox dvs)

\* De meegeleverde garantie is geldig voor de Europese regio.

### Opmerking

Bewaar de licentiecode zorgvuldig want deze kan niet opnieuw worden geleverd.

## De handleidingen bekijken

### De handleiding van dit toestel raadplegen

#### 1 Open een webbrowser op de computer en ga naar onderstaande website van Pioneer DJ.

[pioneerdj.com/](http://pioneerdj.com/)

- Voor het wijzigen van de taal scrollt u op het scherm omlaag, klikt u op de vlag of het pictogram GLOBAL rechtsonder op het scherm en selecteert u de taal vanuit het vervolgkeuzemenu.

#### 2 Klik op [Support].

#### 3 Klik op [FIND TUTORIALS & MANUALS].

#### 4 Noteer [INTERFACE 2] in de zoekbalk en klik op de koppeling die verschijnt.

#### 5 Klik in de lijst op de gewenste taal.

Download deze zo nodig.

### De handleiding van rekordbox raadplegen

#### 1 Open een webbrowser op de computer en ga naar onderstaande website van rekordbox.com.

[rekordbox.com/](http://rekordbox.com/)

#### 2 Klik op [Support].

#### 3 Klik op [Manual].

#### 4 Klik op de gewenste taal voor de handleiding.

## Informatie over rekordbox

- rekordbox  
rekordbox is gecombineerde software voor het beheren van tracks en het uitvoeren van DJ-optredens.
- rekordbox dj  
De functie DJ-optreden van rekordbox wordt rekordbox dj genoemd. Vul de licentiecode in die op de meegeleverde licentiecodekaart van rekordbox dj staat om rekordbox dj te kunnen gebruiken.
- rekordbox dvs  
De DVS-functie, die aan rekordbox dj kan worden toegevoegd om handelingen op het bedieningspaneel uit te voeren met behulp van besturingssignalen die afgespeeld worden met CDJ of een draaitafel, wordt rekordbox dvs genoemd. Door de licentiecode in te vullen die op de meegeleverde licentiecode kaart vermeld staat wordt deze functie aan rekordbox dj toegevoegd.

### Minimumeisen aan de gebruiksomgeving

Ondersteunde besturingssystemen	CPU en vereist geheugen
macOS Sierra 10.12 (meest recente update) OS X: 10.11/10.10/10.9 (meest recente update)	Intel® processor Core™ i3/i5/i7, Intel® processor Core™ 2 Duo 4 GB of meer aan RAM-geheugen
Windows: Windows 10/Windows 8.1/ Windows 7 (meest recente servicepack)	Intel® processor Core™ i3/i5/i7, Intel® processor Core™ 2 Duo 4 GB of meer aan RAM-geheugen
Overige	
USB-aansluiting	Er is een USB 2.0-aansluiting vereist om dit apparaat op de computer te kunnen aansluiten.
Schermresolutie	Resolutie van 1280 × 768 of meer
Internetverbinding	Er is verbinding met internet vereist om uw rekordbox-gebruikersaccount te kunnen registreren en de software te downloaden.

- Voor informatie over de meest recente eisen aan het systeem, de compatibiliteit en ondersteunde besturingssystemen van rekordbox raadpleegt u [System Requirements] op de rekordbox.com-site hieronder.  
[rekordbox.com](http://rekordbox.com)
- De werking kan niet worden gegarandeerd op alle computers, ook niet als aan alle hier aangegeven eisen wat betreft de gebruiksomgeving wordt voldaan.
- Afhankelijk van de instellingen voor stroombesparing enzovoort van de computer bestaat de kans dat de CPU en de harde schijf niet volledig toereikend zijn. Vooral bij notebooks moet u ervoor zorgen dat de computer in de juiste toestand verkeert om doorlopend hoge prestaties te kunnen leveren (door bijvoorbeeld de netstroomadapter aangesloten te houden) wanneer u rekordbox gebruikt.
- Gebruik van het Internet vereist een aparte overeenkomst met een aanbieder van Internetdiensten en betaling van de daaraan verbonden kosten.
- Gebruik de meest recente versie/het meest recente servicepack van het besturingssysteem.

## Rekordbox installeren

### 1 Ga naar rekordbox.com.

[rekordbox.com/en/store/](https://rekordbox.com/en/store/)

- De pagina kan zonder kennisgeving gewijzigd worden.

### 2 Selecteer de snelstartgids en klik op [Free To Download].



### 3 Lees aandachtig de gebruiksovereenkomst voor de software en selecteer het vakje [Agree] als u akkoord gaat.

Wanneer u het selectieveld selecteert, kunt u op [Download] klikken.

### 4 Klik op [Download].

Het downloaden van rekordbox begint.

### 5 Dubbelklik op het gedownloade bestand om het uit te pakken.

### 6 Dubbelklik op het uitgepakte bestand om het installatieprogramma te starten.

### 7 Lees de gebruiksrechtsovereenkomst aandachtig, en volg de instructies op het scherm om verder te gaan met de installatie als u akkoord gaat.

- Annuleer de installatie als u niet akkoord gaat met de gebruiksrechtsovereenkomst.

### 8 Wanneer op het scherm wordt gemeld dat de installatie voltooid is, volgt u de instructies op het scherm om het installatieprogramma af te sluiten.

Hiermee is de installatie voltooid.

- Voor het gebruik van rekordbox dj en rekordbox dvs dient de licentiecode geactiveerd te worden. Kijk voor details in de handleiding van rekordbox.  
[rekordbox.com/en/support/manual.php](https://rekordbox.com/en/support/manual.php)

## Vul de licentiecode in voor het activeren van rekordbox dj.

- Zet rekordbox op [PERFORMANCE].
- Klik op [Activate] onder [Voorkeuren] > [License] > [rekordbox dj].

Bij dit apparaat hoort een kaart waarop de licentiecodes vermeld staan. Vul die licentiecodes in en volg daarna de scherm instructies voor het activeren van rekordbox dj en rekordbox dvs.

- Ga voor de procedure voor het activeren van rekordbox dj naar "rekordbox.com" en lees de rekordbox-handleiding op de [Support] > [Manual]-pagina.  
[rekordbox.com/](https://rekordbox.com/)

## Het instellen van DVS met rekordbox



Er zijn vier soorten DVS-modi ABSOLUTE, RELATIVE, INTERNAL, THROUGH.

Klik op het DECK-nummer **1** om de modus vanaf het menu te selecteren.

Tijdens het selecteren van de modus verschijnt de naam van de geselecteerde modus (**ABS** **REL** **INT** **THR**) onder het DECK-nummer.

De naam van de modus licht op bij het ontvangen van het besturingssignaal vanaf de draaitafel (of CDJ, XDJ).

Bij het ontvangen van het besturingssignaal: **REL**

Bij het niet ontvangen van het besturingssignaal: **REL**

**ABS**: ABSOLUTE-modus

- Locatie van de naald op de draaitafel is gekoppeld aan de afspelpositie van rekordbox DECK.

**REL**: RELATIVE-modus

- Locatie van de naald op de draaitafel is gekoppeld aan de afspelpositie van rekordbox DECK.

**INT**: INTERNAL-modus

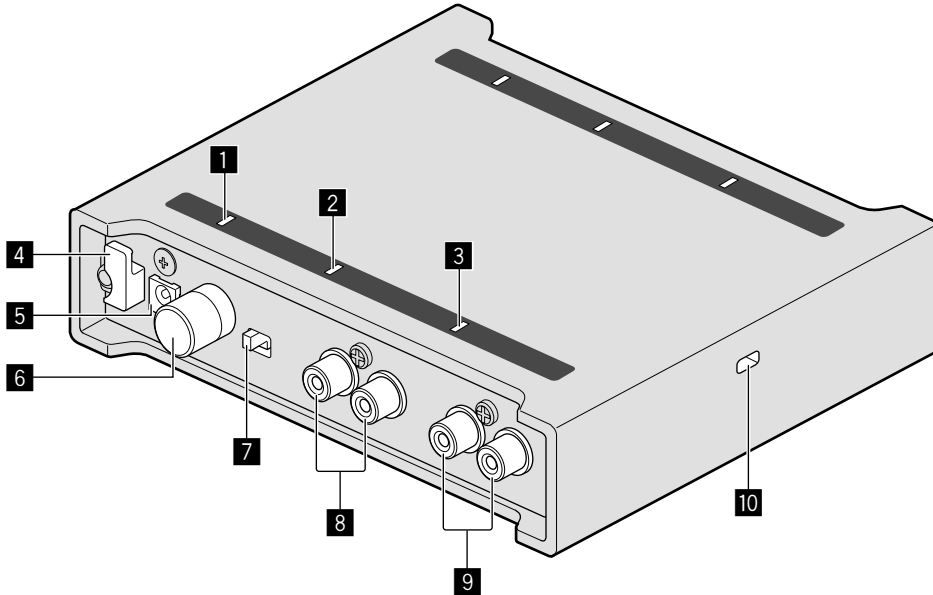
- Locatie van de naald, afspelrichting, tempo, en het bedienen van het Vinyl op de draaitafel zijn niet gekoppeld aan het afspelen van DECK.

**THR**: THROUGH-modus

- Het afspiegeluid van de draaitafel wordt één op één weergegeven.

# Namen van onderdelen

## Achterpaneel



**1** DC-lampje

**2** DECK2 ingangslampje

**3** DECK1 ingangslampje

**4** Snoerhaak

**5** DC IN-aansluiting

**6** SIGNAL GND-aansluiting

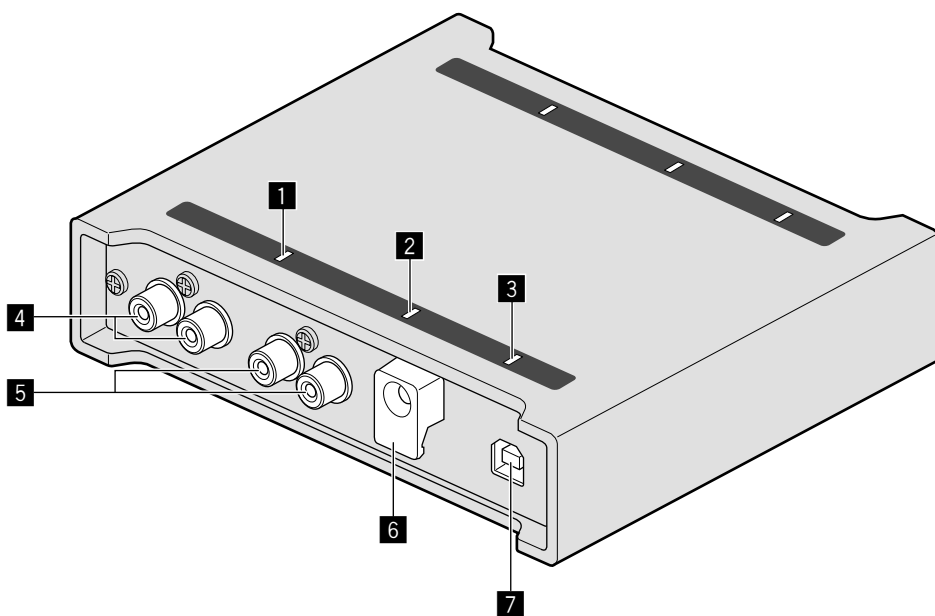
**7** Ingangkeuzeschakelaar

**8** DECK2 ingang-aansluitingen

**9** DECK1 ingang-aansluitingen

**10** Kensington beveiligingssleuf

## Voorpaneel



- 1** DECK1 uitgangslampje
- 2** DECK2 uitgangslampje
- 3** USB-lampje
- 4** DECK1 uitgang-aansluitingen
- 5** DECK2 uitgang-aansluitingen
- 6** USB-kabelhaak
- 7** USB-aansluiting (Type B)

# Aansluitingen

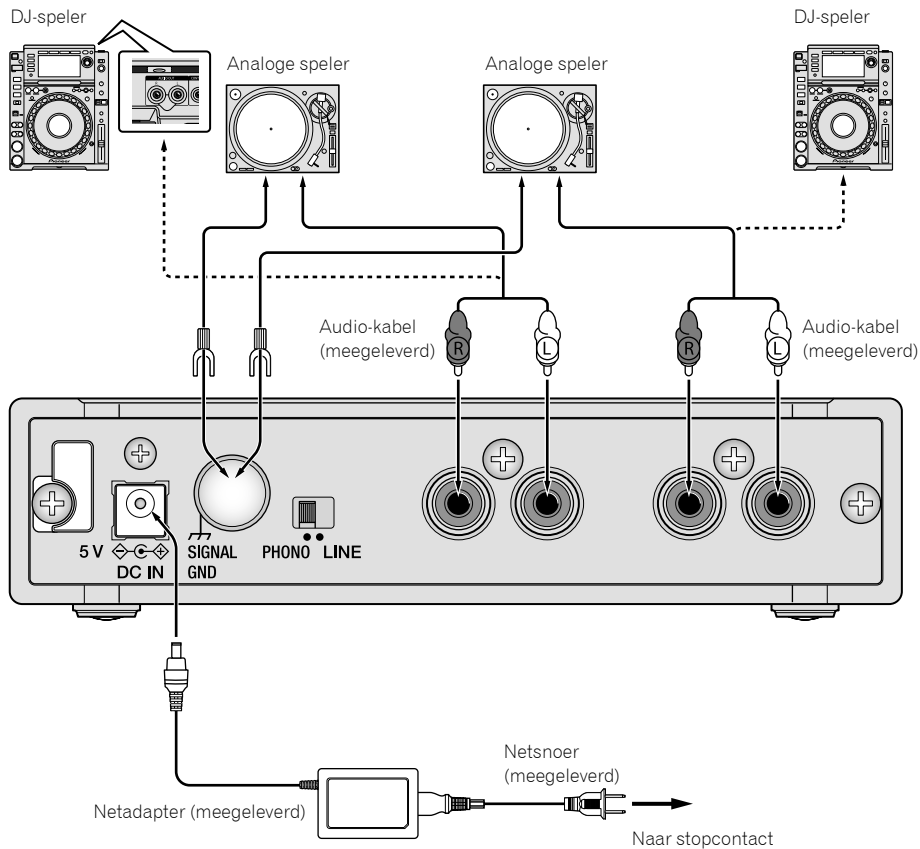
- Sluit het netsnoer pas aan nadat alle aansluitingen tussen apparaten zijn voltooid.  
Trek altijd eerst de USB-kabel en de stroomstekker van het netsnoer los voordat u wijzigingen in de aansluitingen aanbrengt.
- Gebruik alleen de bijgeleverde netsnoer en de bijgeleverde netadapter.
- De stroomvoorziening loopt via de netadapter of de USB-aansluiting.
- Sluit dit apparaat en de computer rechtstreeks op elkaar aan met behulp van de meegeleverde USB-kabel.
- Gebruik USB-kabels die geschikt zijn voor USB 2.0.
- USB-verdeelhubs zijn niet bruikbaar.
- Raadpleeg de handleiding voor het aan te sluiten apparaat.

## Opmerkingen over het gebruik van de stroomvoorziening via een USB-aansluiting

- In de volgende situaties mag dit apparaat niet met de stroomvoorziening via een USB-aansluiting worden gebruikt.
  - De capaciteit van de stroomvoorziening van de USB-aansluiting op uw computer is te laag.
  - Uw computer is aangesloten op andere USB-apparaten.Als de stroomvoorziening via USB niet gebruikt kan worden, gebruik dan de meegeleverde netadapter.
- Wanneer de stroomvoorziening via een USB-aansluiting gebruikt wordt, neemt de helderheid van de ledlampjes af. Om geen beperkingen te ondervinden kunt u het beste de meegeleverde netadapter gebruiken.

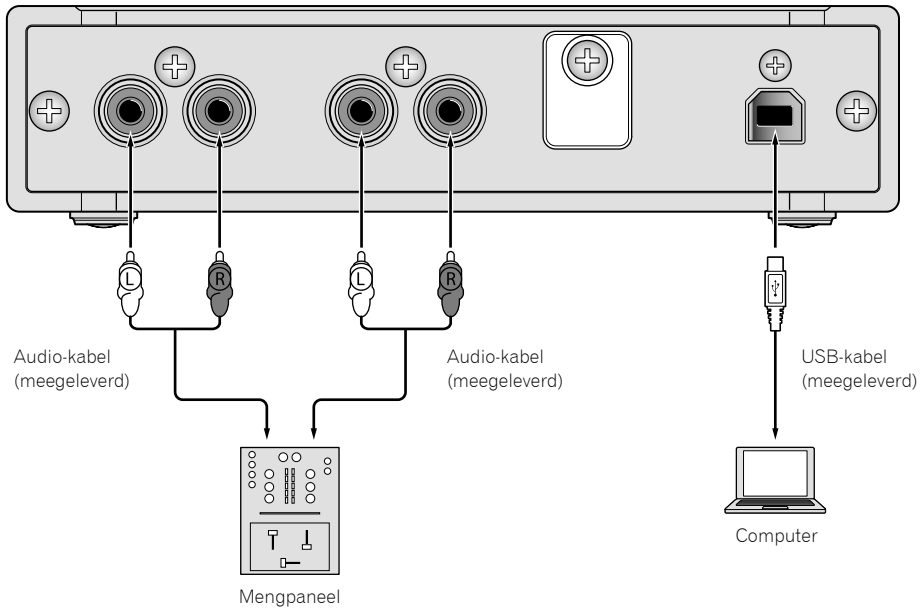
## Aansluiten van de in-/uitgangen

### Achterpaneel



## Voorpaneel

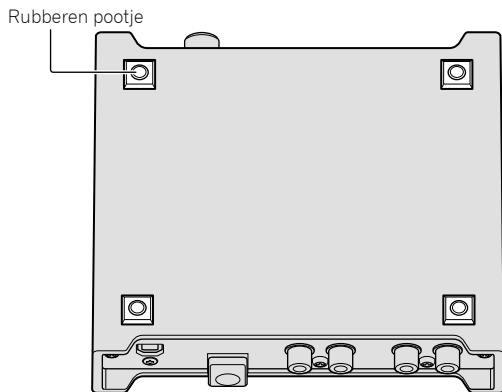
Het geluid wordt weergegeven via lijnregeling.



---

## Bevestigen van het rubberen pootje

Bevestig zo nodig het rubberen pootje op het apparaat. Bevestig het rubberen pootje overeenkomstig de locatie waar het apparaat geplaatst wordt.



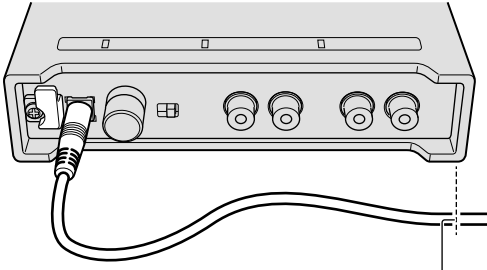
## Het gebruik van de haak van het snoerhaak/de USB-kabel

Het netsnoer van de netadapter/USB-kabel zit vastgehaakt aan de haak van het netsnoer/de USB-kabel.

Haak het netsnoer van de netstroomadapter/USB-kabel vast om te voorkomen dat de stekker per ongeluk van het apparaat loskomt. Gebruik als richtlijn de breedte van het apparaat voor de positie waarin het netsnoer van de netadapter/USB-kabel moet worden vastgehaakt.

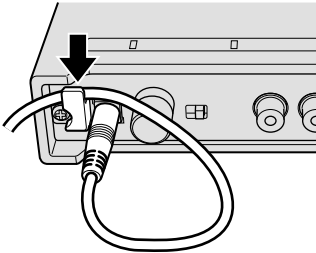
### Het netsnoer van de netadapter

- 1 Sluit het netsnoer van de netadapter aan op de [DC IN]-aansluiting.
- 2 Fixeer de positie om het netsnoer van de netadapter vast te haken.

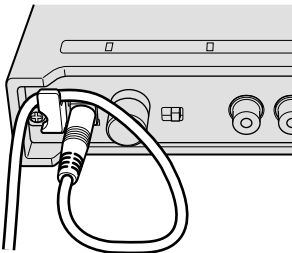


De positie waarin het netsnoer van de netadapter moet worden vastgehaakt

- 3 Haak het netsnoer van de netadapter vast vanaf de bovenkant.

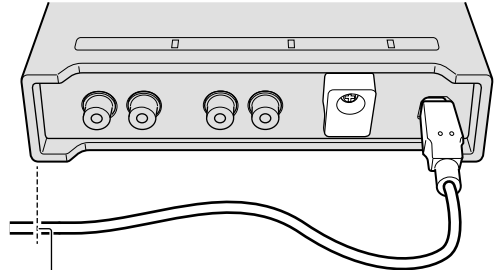


- 4 Zorg dat het netsnoer van de netadapter stevig vastgehaakt is.



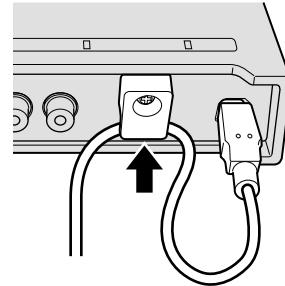
### De USB-kabel

- 1 Sluit de USB-kabels aan op de [USB]-aansluiting.
- 2 Fixeer de positie om de USB-kabel vast te haken.

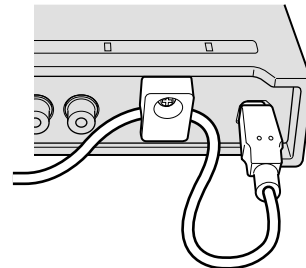


De positie waarin de USB-kabel moet worden vastgehaakt

- 3 Haak de USB-kabel vast vanaf de onderkant.



- 4 Zorg dat de USB-kabel stevig vastgehaakt is.



# Aanvullende informatie

## Problemen oplossen

- Als u denkt dat er iets verkeerd is met dit apparaat, controleer dan de onderwerpen van "Problemen oplossen" in de handleiding en lees het onderdeel [FAQ] (Veelgestelde vragen) voor [INTERFACE 2] op de website van Pioneer DJ.  
pioneerdj.com/support/  
Controleer ook de aangesloten apparaten. Als u het probleem niet kunt oplossen, neem dan contact op met uw dichtstbijzijnde erkende servicecenter van Pioneer of uw leverancier om het apparaat te laten repareren.
- Dit toestel kan soms niet goed werken vanwege statische elektriciteit of andere externe invloeden. In dergelijke situaties kan de normale werking worden hersteld door de stekker uit het stopcontact te halen en weer in het stopcontact te steken.

## Informatie over handelsmerken en gedeponeerde handelsmerken

- Pioneer DJ is een handelsmerk van PIONEER CORPORATION en wordt in licentie gebruikt.
  - rekordbox is een handelsmerk of gedeponeerd handelsmerk van de Pioneer DJ Corporation.
  - Windows is een gedeponeerd handelsmerk van Microsoft Corporation in de Verenigde Staten en andere landen.
  - Adobe en Reader zijn handelsmerken van Adobe Systems Incorporated in de V.S. en andere landen.
  - macOS, OS x en Finder zijn handelsmerken van Apple Inc., gedeponeerd in de V.S. en andere landen.
  - Intel en Intel Core zijn handelsmerken van Intel Corporation in de V.S. en/of andere landen.
  - ASIO is een handelsmerk van Steinberg Media Technologies GmbH.
- De hierin vermelde namen van bedrijven en hun producten zijn de handelsmerken of geregistreerde handelsmerken van hun respectieve eigenaars.

## Waarschuwingen betreffende auteursrechten

rekordbox beperkt het afspelen en dupliceren van door auteursrechten beschermde muziekinhoud.

- Wanneer er gecodeerde gegevens e.d. voor auteursrechtbescherming zijn opgenomen in de muziek, kan het niet altijd mogelijk zijn het programma normaal te gebruiken.
- Wanneer rekordbox waarneemt dat er gecodeerde gegevens e.d. voor auteursrechtbescherming zijn opgenomen in de muziek, kan de bewerking (afspelen, lezen e.d.) tussentijds stoppen.

Opnamen die u hebt gemaakt, kunnen slechts dienen voor uw eigen luisterplezier en kunnen onder de auteursrechtwetten niet voor andere doeleinden worden gebruikt zonder toestemming van de auteursrechthouder.

- Muziek die wordt opgenomen van cd's enzovoort, is beschermd door de auteursrechtwetten van de meeste landen en door internationale verdragen. Het valt onder de verantwoordelijkheid van de persoon die de muziek heeft opgenomen erop toe te zien dat de opnamen op legale wijze worden gebruikt.
- Bij het behandelen van muziek die door downloaden van Internet e.d. is verkregen, is het de volledige verantwoordelijkheid van de persoon die het downloaden heeft verricht er op toe te zien dat de muziek wordt gebruikt in overeenstemming met de voorwaarden van het download-contract.

## Technische gegevens

### Netstroomadapter

Stroom .....	AC 100 V tot 240 V, 50 Hz/60 Hz
Nominale stroom .....	0,4 A
Nominale uitgang .....	DC 5 V, 2 A

### Algemeen – Hoofdapparaat

Stroomverbruik .....	DC 5 V, 600 mA
Gewicht hoofdapparaat .....	0,6 kg
Max. afmetingen .....	141 mm (breedte) × 32,5 mm (hoogte) × 127,8 mm (diepte)
Toegestane bedrijfstemperatuur .....	+5 °C tot +35 °C
Toegestane luchtvochtigheid .....	5 % tot 85 % (niet-condenserend)

### Audiogedeelte

Samplefrequentie .....	44,1 kHz/48 kHz/96 kHz
D/A-converter .....	32 bits
A/D-converters .....	24 bits
Frequentiekenmerk .....	20 Hz tot 20 kHz

<b>LINE</b> .....	20 Hz tot 20 kHz
Signaal/ruisverhouding (nominale uitgang)*1 .....	

<b>USB</b> .....	112 dB
<b>LINE</b> .....	103 dB
<b>PHONO</b> .....	100 dB

Totale harmonische vervorming\*1

<b>USB</b> .....	0,002%
<b>LINE</b> .....	0,005%
<b>PHONO</b> .....	0,007%

Max. ingangsniveau\*1

<b>LINE</b> .....	+12 dBu, 3,2 Vrms
<b>PHONO</b> .....	-22 dBu, 60 mVrms (1 kHz)

Ingangs-impedantie..... 42 kΩ  
Nominaal uitgangsniveau/Belastingimpedantie

.....	+11 dBu, 2,8 Vrms/10 kΩ
Uitgangsimpedantie .....	550 Ω

Opbrengst .....	
<b>PHONO</b> .....	+33 dB (1 kHz)

\*1 Samplefrequentie: op 96 kHz

### Aansluitingen Ingang/Uitgang

Aansluiting Ingang .....	
Tulpstekkerbussen .....	2 sets

Aansluiting Uitgang .....	
Tulpstekkerbussen .....	2 sets

<b>USB</b> -aansluiting .....	
B type .....	1 set

- De technische gegevens en het ontwerp van dit product kunnen vanwege voortgaande verbetering zonder voorafgaande kennisgeving worden gewijzigd.

© 2017 Pioneer DJ Corporation. Alle rechten voorbehouden.





Le damos las gracias por la adquisición de este producto Pioneer DJ. Lea a fondo estas instrucciones de utilización para que aprenda a utilizar correctamente su modelo. Después de haber terminado de leer estas instrucciones, guárdelas en un lugar seguro para, en caso de ser necesario, consultarlas en el futuro.

En algunos países o regiones, la forma de la clavija de alimentación y de la toma de corriente pueden ser algunas veces diferentes de la mostrada en las ilustraciones explicativas. Sin embargo, el método de conexión y funcionamiento de la unidad es el mismo.

## PRECAUCIÓN

PARA PREVENIR EL PELIGRO DE CHOQUE ELÉCTRICO NO REMOVER LA TAPA NI LAS PARTES DENTRO NO UTILIZADAS, LLAMAR UNA PERSONA CUALIFICADA.

D3-4-2-1-1\_B2\_Es

## ADVERTENCIA

Este aparato no es impermeable. Para evitar el riesgo de incendio y de descargas eléctricas, no ponga ningún recipiente lleno de líquido (como pueda ser un vaso o un florero) cerca del aparato ni lo exponga a goteo, salpicaduras, lluvia o humedad.

D3-4-2-1-3\_A1\_Es

## ADVERTENCIA

Para evitar el peligro de incendio, no ponga nada con fuego encendido (como pueda ser una vela) encima del aparato.

D3-4-2-1-7a\_A1\_Es

## PRECAUCIÓN PARA LA VENTILACIÓN

Cuando instale este aparato, asegúrese de dejar espacio en torno al mismo para la ventilación con el fin de mejorar la disipación de calor (por lo menos 5 cm detrás, y 3 cm en cada lado).

D3-4-2-1-7d\*\_A1\_Es

Cuando utilice este producto, confirme la información de seguridad mostrada en la parte inferior de la unidad.


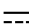

D3-4-2-2-4\_B1\_Es

## Entorno de funcionamiento

Temperatura y humedad del entorno de funcionamiento +5 °C a +35 °C; menos del 85 % de humedad relativa (rejillas de refrigeración no obstruidas)

No instale este aparato en un lugar mal ventilado, ni en lugares expuestos a alta humedad o a la luz directa del sol (o de otra luz artificial potente).

D3-4-2-1-7c\*\_A1\_Es

El símbolo gráfico  colocado en el producto significa corriente alterna.  
El símbolo gráfico  colocado en el producto significa corriente continua.  
El símbolo gráfico  colocado en el producto significa equipo de Clase II.

D3-8-2-4\_A1\_Es

## PRECAUCIÓN

Este producto se evalúa en un entorno climático tropical y moderado.

D3-8-2-1-7a\_A1\_Es



Si desea deshacerse de este producto, no lo mezcle con los residuos generales de su hogar. De conformidad con la legislación vigente, existe un sistema de recogida distinto para los productos electrónicos que requieren un procedimiento adecuado de tratamiento, recuperación y reciclado.

Las viviendas privadas en los estados miembros de la UE, en Suiza y Noruega pueden devolver gratuitamente sus productos electrónicos usados en las instalaciones de recolección previstas o bien en las instalaciones de minoristas (si adquieren un producto similar nuevo).

En el caso de los países que no se han mencionado en el párrafo anterior, póngase en contacto con sus autoridades locales a fin de conocer el método de eliminación correcto.

Al actuar siguiendo estas instrucciones, se asegurará de que el producto de desecho se somete a los procesos de tratamiento, recuperación y reciclaje necesarios, con lo que se previenen los efectos negativos potenciales para el entorno y la salud humana.

K058b\_A1\_Es

## ADVERTENCIA

Guarde las piezas pequeñas fuera del alcance de los niños. Si las ingirieran accidentalmente, póngase de inmediato en contacto con un médico.

D41-6-4\_A1\_Es

## PRECAUCIONES CONCERNIENTES A LA MANIPULACIÓN DEL CABLE DE ALIMENTACIÓN

Tome el cable de alimentación por la clavija. No extraiga la clavija tirando del cable. Nunca toque el cable de alimentación cuando sus manos estén mojadas, ya que esto podría causar cortocircuitos o descargas eléctricas. No coloque la unidad, algún mueble, etc., sobre el cable de alimentación. Asegúrese de no hacer nudos en el cable ni de unirlo a otros cables. Los cables de alimentación deberán ser dispuestos de tal forma que la probabilidad de que sean pisados sea mínima. Una cable de alimentación dañado podrá causar incendios o descargas eléctricas. Revise el cable de alimentación está dañado, solicite el reemplazo del mismo al centro de servicio más cercano, o a su distribuidor.

S002\*\_A1\_Es

Este producto es para tareas domésticas generales. Cualquiera avería debida a otra utilización que tareas domésticas (tales como el uso a largo plazo para motivos de negocios en un restaurante o el uso en un coche o un barco) y que necesita una reparación hará que cobrarla incluso durante el período de garantía.

K041\_A1\_Es

## PRECAUCIÓN

Puesto que el cable de alimentación hace las funciones de dispositivo de desconexión de la corriente para el aparato, para desconectar toda la alimentación del aparato deberá desenchufar el cable de la toma de corriente de CA. Por lo tanto, asegúrese de instalar el aparato de modo que el cable de alimentación pueda desenchufarse con facilidad de la toma de corriente de CA en caso de un accidente. Para evitar correr el peligro de incendio, el cable de alimentación también deberá desenchufarse de la toma de corriente de CA cuando no se tenga la intención de utilizarlo durante mucho tiempo seguido (por ejemplo, antes de irse de vacaciones).

---

---

# Contenido

## Cómo leer este manual

Gracias por adquirir este producto Pioneer DJ.

Asegúrese de leer este Manual y el Manual de instrucciones disponible en el sitio de Pioneer DJ. Ambos incluyen información importante que debe entender antes de utilizar esta unidad.

Asegúrese, en concreto, de leer las "INSTRUCCIONES IMPORTANTES DE SEGURIDAD". Además, asegúrese de conservar este manual junto con la "Garantía".

Para obtener información sobre el funcionamiento del software rekordbox, consulte el Manual de software de rekordbox.

- Note que las pantallas y las especificaciones del software descritas en este manual, así como también la apariencia externa y las especificaciones del hardware, están actualmente en fase de desarrollo y pueden ser distintas de las especificaciones finales.
- Note que dependiendo de la versión del sistema operativo, los ajustes del navegador web, etc., la operación puede que sea distinta de los procedimientos descritos en este manual.
- Tenga en cuenta que el idioma de las pantallas del software descrito en esta guía puede diferir del idioma de sus pantallas.

En este manual encontrará breves descripciones de los nombres de las partes de esta unidad y las conexiones entre esta unidad y los periféricos. Para unas instrucciones más detalladas de cómo usar esta unidad, consulte el Manual de instrucciones de esta unidad.

- Para saber cómo obtener el Manual de instrucciones de esta unidad, vea *Cómo ver los manuales* en la página 4.

## 01 Antes de empezar a usar la unidad

Características .....	4
Contenido de la caja .....	4
Cómo ver los manuales.....	4
Acerca de rekordbox .....	4
Instalación de rekordbox.....	5

## 02 Nombres de las partes

Panel trasero .....	6
Panel frontal .....	7

## 03 Conexiones

Conexión de los terminales de entrada/salida.....	8
---	---

## 04 Información adicional

Solución de problemas .....	11
Acerca de marcas comerciales y marcas comerciales registradas.....	11
Advertencias sobre los derechos de autor.....	11
Especificaciones.....	11

# Antes de empezar a usar la unidad

## Características

Esta unidad es una interfaz de audio de 2 canales que le permite usar rekordbox dvs en combinación con una mezcladora existente. Gracias a la calidad de sonido profesional, preparada para su uso in situ, y su chasis compacto, resistente y portátil, es posible realizar actuaciones de DJ usando DVS en cualquier momento y lugar. Los indicadores LED en el panel superior muestran el flujo de sonido y facilitan su correcta conexión local.

## Contenido de la caja

- Cable de alimentación
- Adaptador de CA
- Cable USB
- Cables de audio × 4
- Patas de goma × 4
- Manual de instrucciones (Guía de inicio rápido) (este documento)
- Garantía (para algunas regiones)\*
- Tarjeta de clave de licencia (rekordbox dj, rekordbox dvs)

\* La garantía incluida es para la región europea.

### Nota

Guarde la clave de licencia porque no se puede proporcionar de nuevo.

## Cómo ver los manuales

### Visualización del Manual de instrucciones de esta unidad

#### 1 Inicie un navegador de Web en el ordenador y acceda al sitio de Pioneer DJ de abajo.

[pioneerdj.com/](http://pioneerdj.com/)

- Para cambiar el idioma, desplácese por la pantalla hacia abajo, haga clic en la bandera o en el icono GLOBAL que aparece en la parte inferior derecha de la pantalla y seleccione el idioma en el menú desplegable.

#### 2 Haga clic en [Soporte].

#### 3 Haga clic en [ENCUENTRA TUTORIALES Y MANUALES].

#### 4 Escriba [INTERFACE 2] en la barra de búsqueda y haga clic en el enlace que aparece.

#### 5 Haga clic en el idioma deseado de la lista.

Descárguelos según sea necesario.

### Ver el Manual de instrucciones de rekordbox

#### 1 Inicie un navegador de Web en el ordenador y acceda al sitio de rekordbox.com de abajo.

[rekordbox.com/](http://rekordbox.com/)

#### 2 Haga clic en [Ayuda].

#### 3 Haga clic en [Manual].

#### 4 Haga clic en el idioma del manual que necesite.

## Acerca de rekordbox

- rekordbox  
rekordbox es un software compuesto que permite la gestión de pistas y actuaciones del DJ.
- rekordbox dj  
La función de actuación de DJ de rekordbox se denomina rekordbox dj. Introduzca la clave de licencia que se muestra en la tarjeta de clave de licencia de rekordbox dj que se incluye con este producto para utilizar rekordbox dj.
- rekordbox dvs  
La función DVS, una función que se puede añadir a rekordbox dj para ejecutar operaciones de deck mediante señales de control reproducidas con CDJ o un giradiscos, se denomina rekordbox dvs. Al introducir la clave de licencia que se muestra en la tarjeta de clave de licencia incluida con este producto puede añadir esta función a rekordbox dj.

### Entorno de operación mínimo

Sistemas operativos compatibles	CPU y memoria necesaria
macOS Sierra 10.12 (actualizado recientemente)	Procesador Intel® Core™ i3/i5/i7, procesador Intel® Core™ 2 Duo
OS X: 10.11/10.10/10.9 (actualizado recientemente)	RAM de 4 GB o más
Windows: Windows 10/Windows 8.1/Windows 7 (service pack más reciente)	Procesador Intel® Core™ i3/i5/i7, procesador Intel® Core™ 2 Duo RAM de 4 GB o más
Otros	
Puerto USB	Para conectar el ordenador con esta unidad se requiere un puerto USB 2.0.
Resolución de la pantalla	Resolución de 1 280 × 768 o más
Conexión a Internet	Para registrar la cuenta del usuario de rekordbox y descargar el software se necesita una conexión a Internet.

- Para obtener más información sobre el entorno de operación más reciente, compatibilidad y sistemas operativos compatibles de rekordbox, consulte [Entorno de operación] en el sitio rekordbox.com a continuación.  
[rekordbox.com](http://rekordbox.com)
- La operación no se garantiza en todos los ordenadores, aunque se cumplan todas las condiciones indicadas aquí para el entorno de operación necesario.
- Dependiendo de los ajustes de ahorro de energía del ordenador, es posible que la CPU y el disco duro no ofrezcan funciones de procesamiento suficientes. Para ordenadores notebook en particular, asegúrese de que el ordenador está en las condiciones adecuadas para ofrecer un alto rendimiento constante (por ejemplo manteniendo la alimentación de CA conectada) cuando use rekordbox.
- Para usar Internet se necesita firmar un contrato separado con un proveedor que ofrezca servicios de Internet y pagar los honorarios de dicho proveedor.
- Utilice la última versión / el último paquete de servicios del sistema operativo.

## Instalación de rekordbox

### 1 Acceda a rekordbox.com.

[rekordbox.com/es/store/](http://rekordbox.com/es/store/)

- El contenido de la página está sujeto a cambios sin previo aviso.

### 2 Consulte la Guía de inicio y haga clic en [Descarga Gratis].



### 3 Lea detenidamente el Contrato de Licencia del Software y seleccione la casilla de verificación [Aagree] si está de acuerdo.

Cuando active la casilla de verificación, se podrá hacer clic en [Descarga].

### 4 Haga clic en [Descarga].

Se iniciará la descarga de rekordbox.

### 5 Haga doble clic en el archivo descargado para descomprimirlo.

### 6 Haga doble clic en el archivo descomprimido para ejecutar el instalador.

### 7 Lea atentamente el Contrato de Licencia del Software y continúe con la instalación según las instrucciones de la pantalla si está de acuerdo.

- Si no acepta el contenido del Contrato de Licencia del Software, cancele la instalación.

### 8 Cuando aparece la pantalla de finalización de la instalación, siga las instrucciones de la pantalla para cerrar el instalador.

La instalación se ha completado ahora.

- Se necesita realizar la activación (autenticación de la licencia) para usar rekordbox dj y rekordbox dvs. Para ver detalles, consulte el Manual de instrucciones de rekordbox. [rekordbox.com/es/support/manual.php](http://rekordbox.com/es/support/manual.php)

## Introduzca la clave de licencia para activar rekordbox dj.

- Ajuste rekordbox en [PERFORMANCE].
- Haga clic en [Activar] en [Preferencias] > [License] > [rekordbox dj].

Introduzca las claves de licencia que figuran en la tarjeta de claves de licencia entregada con esta unidad y, después, siga las instrucciones que aparecen en pantalla para activar rekordbox dj y rekordbox dvs.

- Para informarse sobre los pasos para activar rekordbox dj, acceda a "rekordbox.com" y lea el manual de rekordbox en la página [Ayuda] > [Manual]. [rekordbox.com/](http://rekordbox.com/)

## Configuración de DVS con rekordbox



Existen cuatro tipos de modos de DVS: ABSOLUTE, RELATIVE, INTERNAL y THROUGH.

Haga clic en el número DECK **1** para seleccionar el modo en el menú. Al seleccionar el modo, aparecerá el nombre del modo seleccionado (ABS REL INT THR) debajo del número DECK.

El nombre del modo se ilumina al recibir la señal de control del plato (o CDJ, XDJ).

Cuando se recibe la señal de control: **REL**

Cuando no se recibe señal de control: **REL**

**ABS**: modo ABSOLUTE

- La ubicación de la aguja en el plato está vinculada a la posición de reproducción de rekordbox DECK.

**REL**: modo RELATIVE

- La ubicación de la aguja en el plato no está vinculada a la posición de reproducción de rekordbox DECK.

**INT**: modo INTERNAL

- La ubicación de la aguja, la dirección de reproducción, el tempo y la operación Vinyl del plato no están vinculados a la reproducción de DECK.

**THR**: modo THROUGH

- El sonido de reproducción del plato se emite tal cual.

---

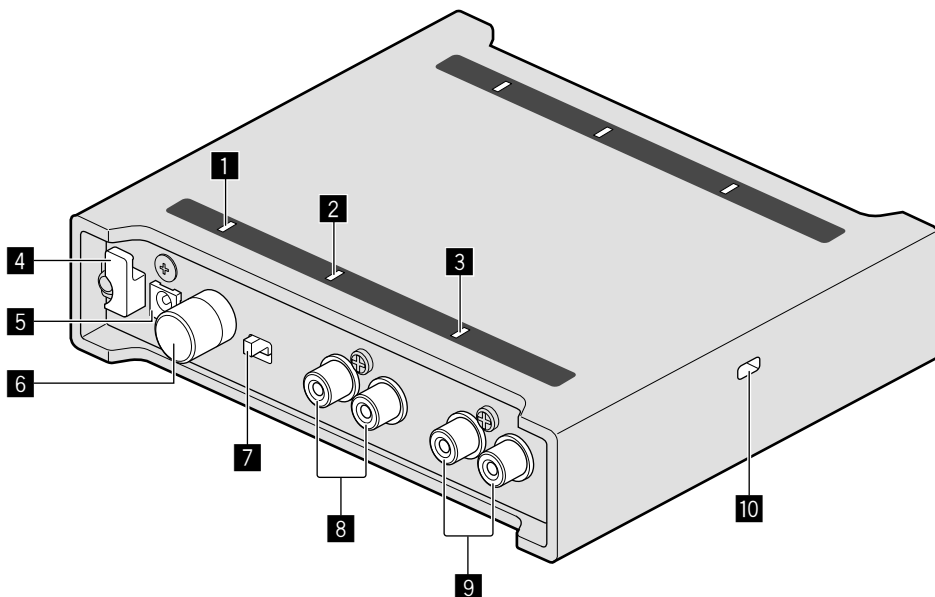
---

# Nombres de las partes

---

---

## Panel trasero



**1** Indicador DC

**2** Indicador de entrada DECK2

**3** Indicador de entrada DECK1

**4** Gancho de cables

**5** Terminal DC IN

**6** Terminal SIGNAL GND

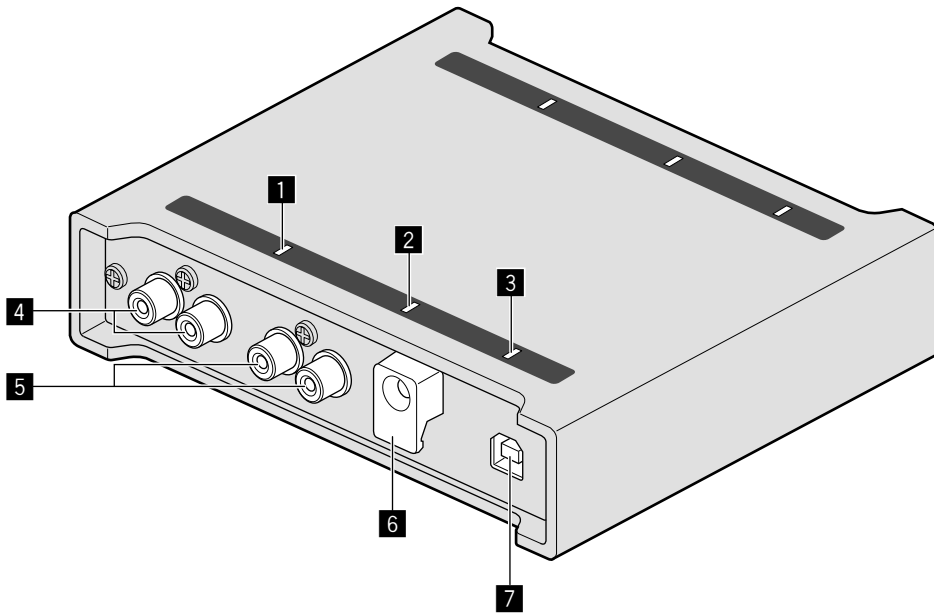
**7** Conmutador selector de entrada

**8** Terminales de entrada DECK2

**9** Terminales de entrada DECK1

**10** Ranura de seguridad Kensington

## Panel frontal



- 1** Indicador de salida DECK1
- 2** Indicador de salida DECK2
- 3** Indicador de USB
- 4** Terminales de salida DECK1
- 5** Terminales de salida DECK2
- 6** Gancho para cable USB
- 7** Puerto USB (Tipo B)

# Conexiones

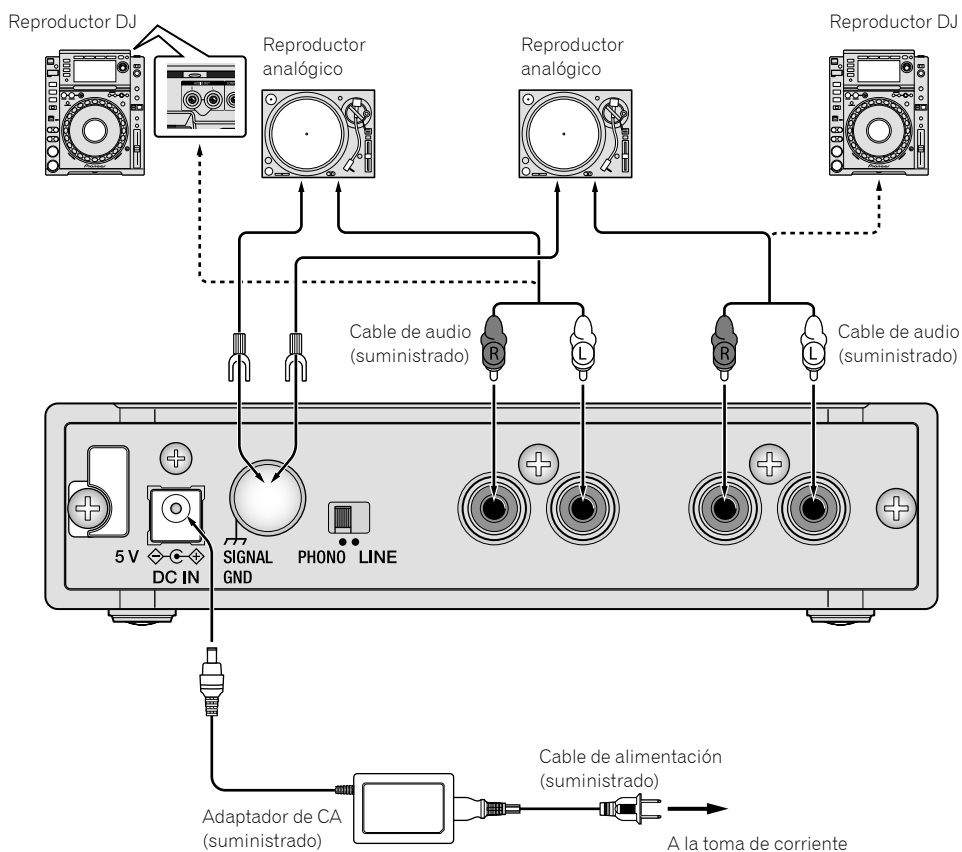
- Conecte el cable de alimentación después de terminar las conexiones entre los aparatos.  
Asegúrese de desconectar el cable USB y desenchufar el cable de alimentación de la toma de corriente siempre que haga o cambie conexiones.
- Asegúrese de usar el cable de alimentación y el adaptador de CA suministrados.
- La alimentación se suministra mediante el adaptador de CA o la alimentación de bus USB.
- Conecte directamente esta unidad y el ordenador con el cable USB suministrado.
- Use cables USB de categoría USB 2.0.
- No se pueden usar concentradores USB.
- Consulte el manual de instrucciones del dispositivo que va a ser conectado.

## Notas sobre el uso de la alimentación de bus USB

- No se puede utilizar esta unidad con la alimentación de bus USB en la siguiente situación.
  - La capacidad de suministro de alimentación del puerto USB de su ordenador es demasiado baja.
  - Su ordenador está conectado a otros dispositivos USB.Si no se puede usar la alimentación de bus USB, utilice el adaptador de CA suministrado.
- Cuando use la alimentación de bus USB, el brillo de los LED disminuirá.  
Para usarlo sin restricciones, use el adaptador de CA suministrado.

## Conexión de los terminales de entrada/salida

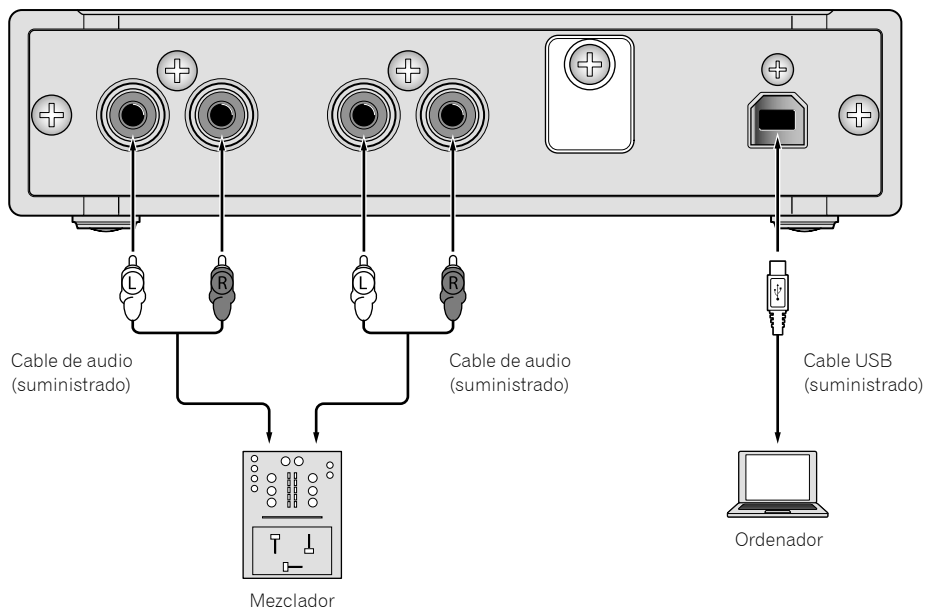
### Panel trasero





## Panel frontal

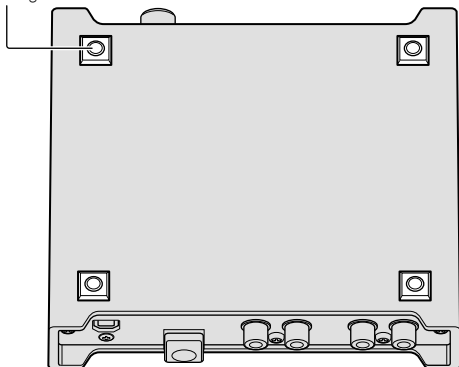
El audio se emitirá a nivel de línea.



## Cómo montar los pies de goma

Monte los pies de goma en la unidad si fuese necesario. Monte los pies de goma como corresponda en función de donde coloque la unidad.

Pies de goma

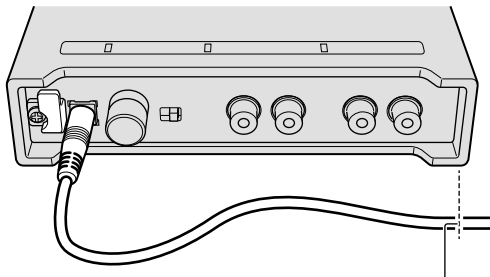


## Cómo usar el gancho de cables / gancho para cable USB

La alimentación del adaptador de CA / cables USB se fija enganchándola al gancho de cables / gancho para cables USB. Enganche el cable de alimentación del adaptador de CA / cable USB para evitar desconectarlo accidentalmente de la unidad. Para encontrar la posición para enganchar el cable de alimentación del adaptador de CA / cable USB, use el ancho de la unidad como referencia.

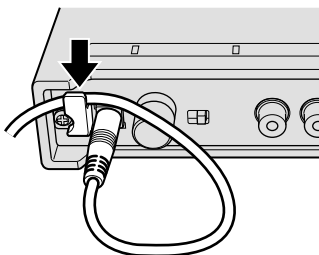
### Cable de alimentación del adaptador de CA

- 1 Conecte el cable de alimentación del adaptador de CA al terminal [DC IN].
- 2 Fije la posición para enganchar el cable de alimentación del adaptador de CA.

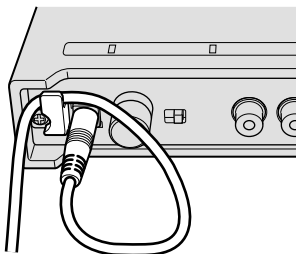


La posición para enganchar el cable de alimentación del adaptador de CA

- 3 Enganche el cable de alimentación del adaptador de CA desde arriba.

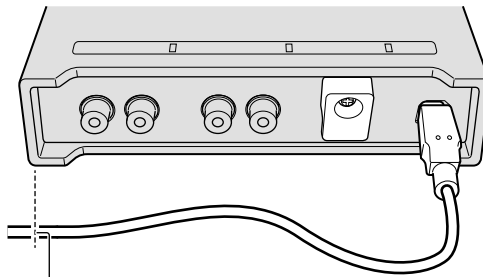


- 4 Asegúrese de enganchar el cable de alimentación del adaptador de CA de forma segura.



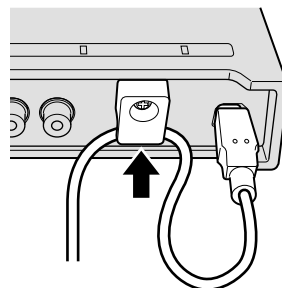
### Cable USB

- 1 Conecte el cable USB al puerto [USB].
- 2 Fije la posición para enganchar el cable USB.

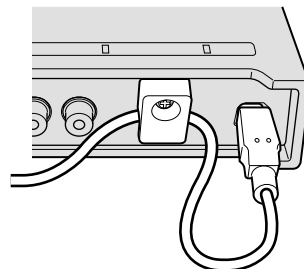


La posición para enganchar el cable USB

- 3 Enganche el cable USB desde abajo.



- 4 Asegúrese de enganchar el cable USB de forma segura.



# Información adicional

## Solución de problemas

- Si cree que hay algo erróneo en esta unidad, compruebe los elementos de "Solución de problemas" en el Manual de instrucciones y compruebe las [FAQ] para [INTERFACE 2] en el sitio de Pioneer DJ.  
pioneerdj.com/support/  
Adicionalmente, compruebe los dispositivos conectados. Si no se puede solucionar el problema, pida a su centro de servicio autorizado por Pioneer más cercano o a su concesionario que realice el trabajo de reparación.
- Esta unidad puede no funcionar bien debido a la electricidad estática o a otras influencias externas. En esos casos, se puede restaurar el funcionamiento normal desenchufando el cable de alimentación y volviendo a enchufarlo.

## Acerca de marcas comerciales y marcas comerciales registradas

- Pioneer DJ es una marca comercial de PIONEER CORPORATION y se usa bajo licencia.
- rekordbox es una marca comercial o marca registrada de Pioneer DJ Corporation.
- Windows es una marca registrada de Microsoft Corporation en los Estados Unidos y en otros países.
- Adobe y Reader son marcas comerciales de Adobe Systems Incorporated en los estados Unidos y otros países.
- macOS, OS X y Finder son marcas registradas de Apple Inc. en los Estados Unidos y en otros países.
- Intel e Intel Core son marcas registradas de Intel Corporation en los Estados Unidos y/o en otros países.
- ASIO es una marca de fábrica de Steinberg Media Technologies GmbH.

Los nombres de compañías y productos mencionados aquí son marcas comerciales o marcas comerciales registradas de sus respectivos propietarios.

## Advertencias sobre los derechos de autor

rekordbox limita la reproducción y duplicación de contenidos musicales protegidos por derechos de autor.

- Cuando hay datos codificados, etc. para proteger los derechos de autor embebidos en el contenido de música, puede que no sea posible utilizar el programa normalmente.
- Cuando el rekordbox detecta datos codificados, etc. para proteger los derechos de autor embebidos en el contenido de música, es posible que el proceso (reproducción, lectura, etc.) se detenga.

Las grabaciones que usted ha hecho son para su uso personal y, según las leyes de los derechos de autor, no se pueden usar sin el consentimiento del propietario de tales derechos.

- La música grabada de CD, etc., está protegida por leyes de derechos de autor de países independientes y por tratados internacionales. La persona que ha grabado la música es totalmente responsable de asegurar el uso legal del mismo.
- Cuando maneje música descargada de Internet, etc., la persona que la haya descargado será la responsable de asegurar que ésta se use según el contrato concluido con el sitio de la descarga.

## Especificaciones

### Adaptador de CA

Alimentación.....	CA 100 V a 240 V, 50 Hz/60 Hz
Corriente nominal.....	0,4 A
Salida nominal.....	CC 5 V, 2 A

### General - Unidad principal

Consumo de energía.....	CC 5 V, 600 mA
Peso de la unidad principal.....	0,6 kg
Dimensiones máximas.....	141 mm (ancho) × 32,5 mm (alto) × 127,8 mm (profundo)
Temperatura de funcionamiento tolerable.....	de +5 °C a +35 °C
Humedad de funcionamiento tolerable.....	de 5 % a 85 % (sin condensación)

### Sección de audio

Frecuencia de muestreo.....	44,1 kHz/48 kHz/96 kHz
Convertidor D/A.....	32 bits
Convertidores A/D.....	24 bits
Características de frecuencia	

<b>LINE</b> .....	de 20 Hz a 20 kHz
Relación señal/ruido (salida nominal)*1	
<b>USB</b> .....	112 dB
<b>LINE</b> .....	103 dB
<b>PHONO</b> .....	100 dB

Distorsión armónica total\*1

<b>USB</b> .....	0,002%
<b>LINE</b> .....	0,005%
<b>PHONO</b> .....	0,007%

Nivel de entrada máx.\*1

<b>LINE</b> .....	+12 dBu, 3,2 Vrms
<b>PHONO</b> .....	-22 dBu, 60 mVrms (1 kHz)

Impedancia de entrada..... 42 kΩ

Nivel de salida nominal / Impedancia de carga..... +11 dBu, 2,8 Vrms/10 kΩ

Impedancia de salida..... 550 Ω

Ganancia

**PHONO**..... +33 dB (1 kHz)

\*1 Frecuencia de muestreo: a 96 kHz

### Terminales entrada / salida

Terminal de entrada

Conector de contactos RCA..... 2 juegos

Terminal de salida

Conector de contactos RCA..... 2 juegos

Puerto **USB**

Tipo B..... 1 juego

- Las especificaciones y diseño de este producto están sujetos a cambios sin previo aviso.

- © 2017 Pioneer DJ Corporation. Todos los derechos reservados.

Obrigado por adquirir este produto da Pioneer DJ. Leia atentamente estas instruções de funcionamento de modo a saber como utilizar correctamente o seu modelo. Após terminar de ler as instruções, coloque-as num local seguro para futura referência.

Em alguns países ou regiões, a forma da ficha de alimentação e da tomada por vezes podem diferir das apresentadas nos desenhos explicativos. Contudo, o método para ligar e utilizar a unidade é o mesmo.

## CUIDADO

PARA PREVENIR O PERIGO DE CHOQUE ELÉTRICO, NÃO REMOVA A COBERTURA (NEM A PARTE POSTERIOR). NÃO EXISTEM NO INTERIOR PEÇAS REPARÁVEIS PELO UTILIZADOR. A MANUTENÇÃO DEVE SER EFETUADA POR PESSOAL ESPECIALIZADO.

D3-4-2-1-1\_B1\_Pt

## AVISO

Este aparelho não é à prova de água. Para prevenir o perigo de incêndio ou choque elétrico, não coloque perto dele recipientes contendo líquidos (tais como uma jarra ou um vaso de flores) nem o exponha a pingos, salpicos, chuva ou humidade.

D3-4-2-1-3\_A1\_Pt

## AVISO

Para prevenir o perigo de incêndio, não coloque fontes de chamas nuas (tais como uma vela acesa) sobre o aparelho.

D3-4-2-1-7a\_A1\_Pt

## CUIDADOS COM A VENTILAÇÃO

Quando instalar esta unidade, certifique-se de que deixa espaço em torno da unidade para ventilação de modo a melhorar a radiação térmica (pelo menos 5 cm atrás e 3 cm de cada lado).

D3-4-2-1-7d\*\_A1\_Pt

## Ambiente de funcionamento

Temperatura e humidade do ambiente de funcionamento:

+5 °C a +35 °C; humidade relativa inferior a 85 % (respiradouros de refrigeração não bloqueados)

Não instale o aparelho num espaço insuficientemente arejado ou em locais expostos a uma humidade elevada ou a luz solar direta (ou a iluminação artificial intensa).


D3-4-2-1-7c\*\_A1\_Pt

Ao utilizar este produto, verifique as informações de segurança indicadas na sua base.

D3-4-2-2-4\_B1\_Pt

O símbolo gráfico  presente no produto significa corrente alternada.

O símbolo gráfico  presente no produto significa corrente contínua.

O símbolo gráfico  presente no produto significa Equipamento de Classe II.

D3-8-2-4\_A1\_Pt

## AVISO

Guarde as peças pequenas fora do alcance das crianças. Se forem engolidas acidentalmente, contacte imediatamente um médico.

D41-6-4\_A1\_Pt

## AVISO SOBRE O CABO DE ALIMENTAÇÃO

Manuseie o cabo de alimentação através da ficha. Não retire a ficha puxando o cabo e nunca toque no cabo de alimentação com as mãos húmidas, pois pode provocar um curto-circuito ou choque elétrico. Não coloque a unidade, um móvel, etc., sobre o cabo de alimentação nem trilhe o cabo. Nunca faça um nó no cabo nem o amarre a outros cabos. Os cabos de alimentação devem ser encaminhados de modo a não serem pisados. Um cabo de alimentação danificado pode provocar um incêndio ou um choque elétrico. Verifique periodicamente o cabo de alimentação. Quando estiver danificado, solicite um cabo de alimentação de substituição junto do seu revendedor ou centro de assistência.

S002\*\_A1\_Pt

### CUIDADO

Este produto foi avaliado em condições semelhantes às dos climas temperado e tropical.

D3-8-2-1-7a\_A1\_Pt

Este produto destina-se a utilização doméstica geral. A reparação de qualquer avaria devida a utilizações fora desse âmbito (como, por exemplo, utilização prolongada num restaurante, para efeitos comerciais, ou utilização num automóvel ou num barco) será cobrada, ainda que dentro da garantia.

K041\_A1\_Pt

### CUIDADO

Uma vez que o cabo de alimentação serve como o principal dispositivo de desconexão, será necessário desligá-lo da tomada para desligar toda a alimentação. Por isso, verifique se a unidade foi instalada de forma que o cabo de alimentação possa ser facilmente desligado da tomada CA, em caso de acidente. Para prevenir o risco de incêndio, deverá desligar igualmente o cabo de alimentação de energia da tomada CA quando o aparelho não for utilizado durante um período prolongado (por exemplo, durante um período de férias).



Se quiser eliminar este produto, não o misture com resíduos domésticos gerais. Existe um sistema de recolha separado para produtos eletrónicos usados de acordo com a legislação que requer tratamento, recuperação e reciclagem adequados.

Os consumidores dos Estados-membros da UE, da Suíça e da Noruega podem entregar equipamentos eletrónicos fora de uso em determinadas instalações de recolha ou a um retalhista (se adquirirem um equipamento novo similar).

Nos países não mencionados acima, informe-se sobre o método de eliminação correto junto das autoridades locais.

Ao fazê-lo estará a garantir que o produto que já não tem utilidade para si é submetido a processos de tratamento, recuperação e reciclagem adequados, evitando-se assim potenciais efeitos negativos para o ambiente e a saúde humana.

K058b\_A2\_Pt

---

---

# Índice

## Como ler este manual

Obrigado por adquirir este produto da Pioneer DJ.

Certifique-se de que lê este manual e o Manual de instruções que está disponível no site da Pioneer DJ. Ambos os documentos incluem informações importantes que deve compreender antes de utilizar este produto.

Em especial, leia as "INSTRUÇÕES DE SEGURANÇA IMPORTANTES". Além disso, certifique-se de que guarda este manual juntamente com a "Garantia".

Para o funcionamento do software rekordbox, consulte o manual do software rekordbox.

- Note que os ecrãs e especificações do software descritos neste manual, assim como o aspeto externo e especificações do hardware, estão atualmente sob desenvolvimento e podem diferir das especificações finais.
- Note que dependendo da versão do sistema operativo, definições do browser Web, etc., a operação pode diferir dos procedimentos descritos neste manual.
- Note como o idioma nos ecrãs do software descrito neste guia pode divergir do idioma nos seus ecrãs.

Este manual apresenta uma breve descrição sobre os nomes das peças desta unidade e sobre as ligações entre a unidade e dispositivos periféricos. Para obter instruções mais detalhadas sobre como utilizar esta unidade, consulte o respetivo Manual de instruções.

- Para saber como obter o Manual de instruções desta unidade, consulte *Ver os manuais* na página 4.

## 01 Antes de começar

Características .....	4
Conteúdo da embalagem .....	4
Ver os manuais .....	4
Acerca do rekordbox .....	4
Instalação do rekordbox .....	5

## 02 Nomes de peças

Painel posterior .....	6
Painel frontal .....	7

## 03 Ligações

Ligar os terminais de entrada/saída .....	8
---	---

## 04 Informação complementar

Resolução de problemas .....	11
Acerca de marcas comerciais e marcas comerciais registadas .....	11
Cuidados a ter relativamente aos direitos de autor .....	11
Especificações .....	11

# Antes de começar

## Características

Esta unidade é uma interface de áudio de 2 canais que lhe permite utilizar o rekordbox dvs quando é utilizado juntamente com um misturador existente. Graças à qualidade de áudio profissional pronta para ser utilizada no local e ao chassis portátil e robusto, é possível realizar performances de DJ com DVS a qualquer hora e em qualquer lugar. Os indicadores LED no painel superior mostram o fluxo do som e facilitam as ligações corretas no local.

## Conteúdo da embalagem

- Cabo de alimentação
- Transformador de CA
- Cabo USB
- Cabo de áudio × 4
- Pés de borracha × 4
- Manual de instruções (Guia de início rápido) (Este documento)
- Garantia (apenas para algumas regiões)\*
- Cartão de chave de licença (rekordbox dj, rekordbox dvs)

\* A garantia incluída é para a região europeia.

### Observação

Conserve a chave de licença, pois não pode ser novamente fornecida.

## Ver os manuais

### Visualizar o Manual de Instruções desta unidade

#### 1 Inicie um browser Web no computador e aceda ao site da Pioneer DJ abaixo.

[pioneerdj.com/](http://pioneerdj.com/)

- Para mudar o idioma, percorra o ecrã para baixo, clique na bandeira ou no ícone GLOBAL no canto inferior direito do ecrã e selecione o idioma no menu pendente.

#### 2 Clique em [Support].

#### 3 Clique em [FIND TUTORIALS & MANUALS].

#### 4 Digite [INTERFACE 2] na barra de procura e clique no link que é apresentado.

#### 5 Clique no idioma pretendido da lista.

Transfira conforme necessário.

### Ver o Manual de instruções do rekordbox

#### 1 Inicie um browser Web no computador e aceda ao site rekordbox.com abaixo.

[rekordbox.com/](http://rekordbox.com/)

#### 2 Clique em [Support].

#### 3 Clique em [Manual].

#### 4 Clique no idioma pretendido do manual.

## Acerca do rekordbox

- rekordbox  
rekordbox é um software composto que permite a gestão de faixas e as atuações de DJ.
- rekordbox dj  
A função de desempenho de DJ do rekordbox designa-se rekordbox dj. Introduza a chave de licença indicada no cartão da chave de licença do rekordbox dj fornecido com este produto para utilizar o rekordbox dj.
- rekordbox dvs  
A função DVS, que é uma função que pode ser adicionada ao rekordbox dj para executar operações de deck utilizando sinais de controlo reproduzidos com CDJ ou um prato, designa-se rekordbox dvs. Introduzir a chave de licença indicada no cartão da chave de licença fornecido com este produto permite que esta licença seja adicionada ao rekordbox dj.

### Ambiente mínimo de funcionamento

Sistemas operativos suportados	CPU e memória necessária
macOS Sierra 10.12 (atualização mais recente)	Processador Intel® Core™ i3/i5/i7, Processador Intel® Core™ 2 Duo
OS X: 10.11/10.10/10.9 (atualização mais recente)	4 GB ou mais de RAM
Windows: Windows 10/Windows 8.1/Windows 7 (Service Pack mais recente)	Processador Intel® Core™ i3/i5/i7, Processador Intel® Core™ 2 Duo
	4 GB ou mais de RAM
Outros	
Porta USB	É necessária uma porta USB 2.0 para ligar o computador a esta unidade.
Resolução de exibição	Resolução de 1280 × 768 ou superior
Ligação à Internet	É necessária uma ligação à Internet para registar uma conta de utilizador do rekordbox e transferir o software.

- Para obter informações acerca dos mais recentes requisitos de sistema, compatibilidade e sistemas operativos suportados do rekordbox, consulte [System Requirements] no site rekordbox.com site abaixo.
- Não é garantido um funcionamento em todos os computadores, mesmo se todas as condições do ambiente de funcionamento mínimo necessário indicadas aqui forem cumpridas.
- Dependendo das definições de poupança de energia, etc., a CPU e o disco rígido podem não fornecer capacidades de processamento suficientes. Para computadores portáteis em particular, certifique-se de que o computador está nas devidas condições para proporcionar um elevado desempenho constante (por exemplo, mantendo a alimentação CA ligada) ao utilizar o rekordbox.
- A utilização de Internet exige um contrato com um fornecedor de serviços de Internet e o pagamento das taxas do fornecedor.
- Utilize o pacote de serviço/a versão mais recente do sistema operativo.

## Instalação do rekordbox

### 1 Aceda a rekordbox.com.

[rekordbox.com/en/store/](http://rekordbox.com/en/store/)

- Os conteúdos da página estão sujeitos a alterações sem aviso prévio.

### 2 Seleccione o guia Como Começar e, em seguida, clique em [Free To Download].



### 3 Leia atentamente o Contrato de Licença de Software pelo Utilizador Final e seleccione a caixa de verificação [Aagree], se concordar.

Quando selecciona a caixa de verificação, [Download] torna-se seleccionável.

### 4 Clique em [Download].

A transferência do rekordbox inicia-se.

### 5 Clique duas vezes no ficheiro transferido para o descomprimir.

### 6 Clique duas vezes no ficheiro descomprimido para executar o programa de instalação.

### 7 Leia com atenção o Contrato de Licença de Software pelo Utilizador Final e, se concordar, prossiga com a instalação de acordo com as instruções apresentadas no ecrã.

- Se não concordar com o conteúdo do Contrato de Licença de Software pelo Utilizador Final, cancele a instalação.

### 8 Quando o ecrã de conclusão da instalação aparecer, siga as instruções apresentadas no ecrã para fechar o programa de instalação.

A instalação está agora concluída.

- Para utilizar o rekordbox dj e o rekordbox dvs, é necessário efetuar a ativação (autenticação da licença). Para obter mais informações, consulte o Manual de instruções do rekordbox. [rekordbox.com/en/support/manual.php](http://rekordbox.com/en/support/manual.php)

## Introduza a chave da licença para ativar o rekordbox dj.

- Defina rekordbox para [PERFORMANCE].
- Clique [Activate] em [Preferências] > [License] > [rekordbox dj]. Introduza as chaves das licenças que são mostradas no cartão de chaves de licenças incluído com esta unidade e, em seguida, siga as instruções no ecrã para ativar o rekordbox dj e o rekordbox dvs.
- Para conhecer o procedimento para ativar o rekordbox dj, aceda a "rekordbox.com" e leia o Manual do rekordbox na página [Support] > [Manual]. [rekordbox.com/](http://rekordbox.com/)

## Definir DVS com o rekordbox



Há quatro tipos de modos DVS: ABSOLUTE, RELATIVE, INTERNAL, THROUGH.

Clique no número de DECK **1** para seleccionar o modo no menu.

Quando seleccionar o modo, o nome do modo seleccionado (**ABS** **REL** **INT** **THR**) aparece por baixo do número DECK.

O nome do modo acende-se quando receber o sinal de controlo do prato (ou CDJ, XDJ).

Quando receber o sinal de controlo: **REL**

Quando não receber o sinal de controlo: **REL**

**ABS**: modo ABSOLUTE

- A localização do indicador no prato está ligada à posição de reprodução do rekordbox DECK.

**REL**: modo RELATIVE

- A localização do indicador no prato não está ligada à posição de reprodução do rekordbox DECK.

**INT**: modo INTERNAL

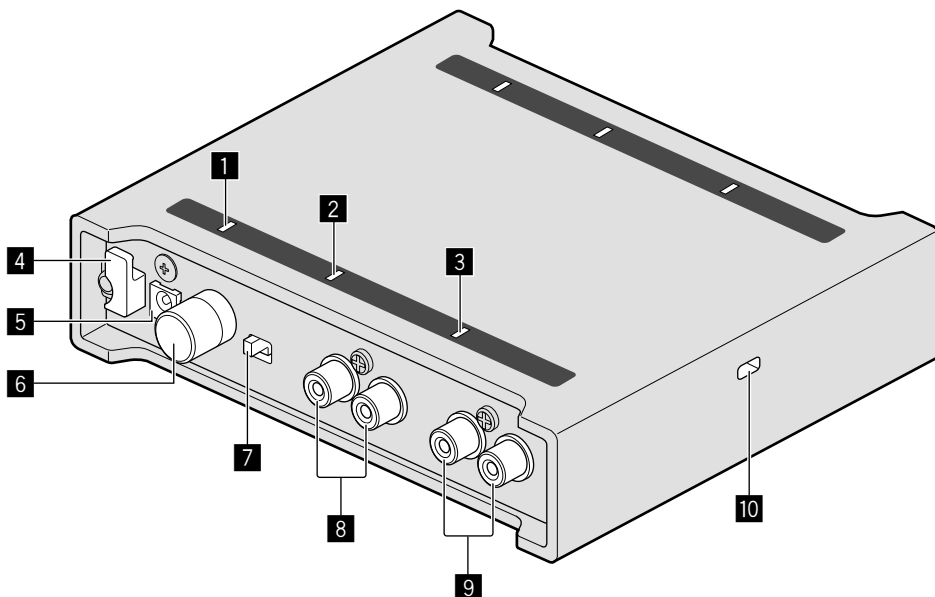
- A localização do indicador, a direção de reprodução, o ritmo e a operação Vinyl no prato não estão ligadas à reprodução do DECK.

**THR**: modo THROUGH

- O som de reprodução do prato é reproduzido tal como está.

# Nomes de peças

## Painel posterior



**1** Indicador DC

**2** Indicador de entrada DECK2

**3** Indicador de entrada DECK1

**4** Gancho do cabo

**5** Terminal DC IN

**6** Terminal SIGNAL GND

**7** Interruptor seletor de entrada

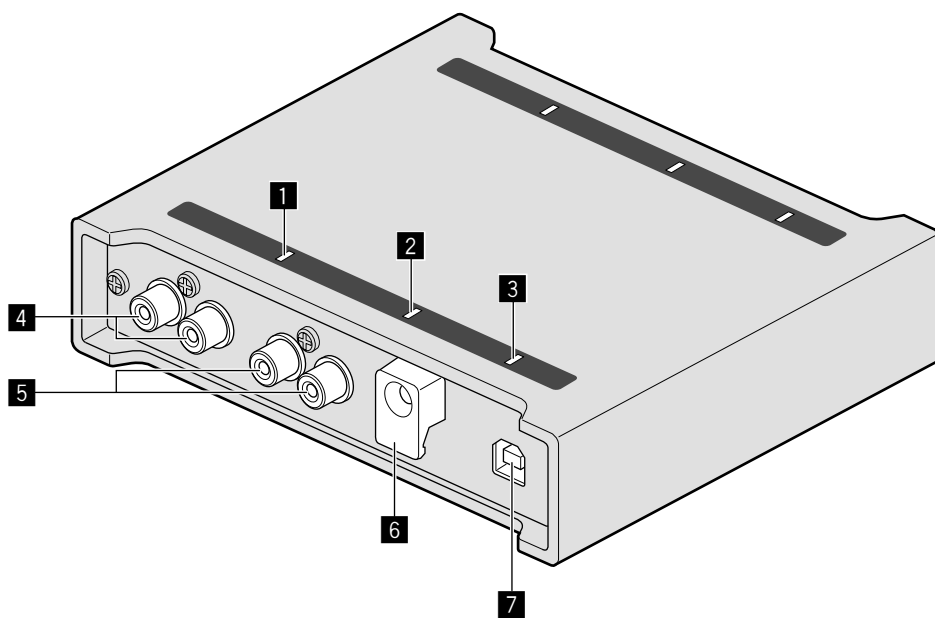
**8** Terminais de entrada DECK2

**9** Terminais de entrada DECK1

**10** Ranhura de segurança Kensington



## Painel frontal



**1** Indicador de saída DECK1

**2** Indicador de saída DECK2

**3** Indicador USB

**4** Terminais de saída DECK1

**5** Terminais de saída DECK2

**6** Gancho do cabo USB

**7** Porta USB (Tipo B)

# Ligações

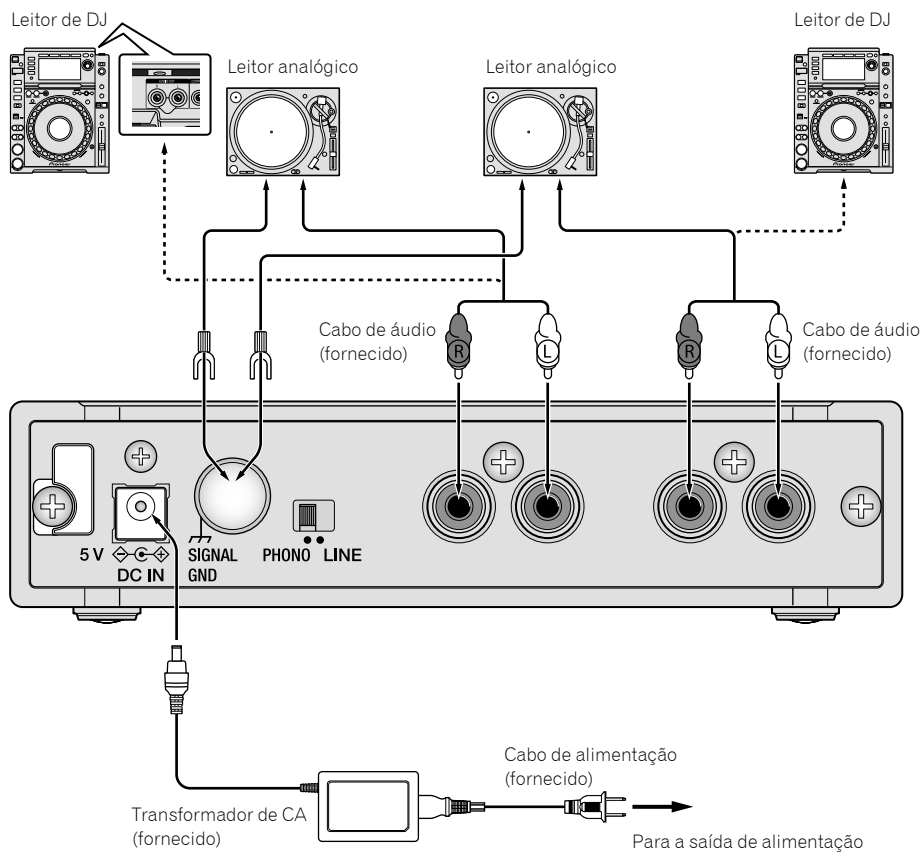
- Ligue o fio elétrico depois de terminar de fazer todas as ligações entre os dispositivos. Certifique-se de que retira o cabo USB e desliga o fio da tomada sempre que fizer ou mudar as ligações.
- Certifique-se de que utiliza o cabo de alimentação e o transformador de CA fornecidos.
- A alimentação é fornecida pelo transformador de CA ou pelo bus USB.
- Ligue diretamente esta unidade ao computador utilizando o cabo USB fornecido.
- Utilize cabos USB compatíveis com USB 2.0.
- Não podem ser utilizados hubs USB.
- Consulte o Manual de instruções do dispositivo a ligar.

## Notas sobre a utilização da alimentação do bus USB

- Esta unidade não pode ser utilizada com a alimentação do bus USB nas situações que se seguem.
  - Capacidade de alimentação da porta USB no computador demasiado baixa.
  - Computador ligado a outros dispositivos USB.
- Se não for possível utilizar a alimentação do bus USB, utilize o transformador de CA fornecido.
- Quando utilizar a alimentação do bus USB, o brilho dos LEDs diminui. Para utilizar sem restrições, utilize o transformador de CA fornecido.

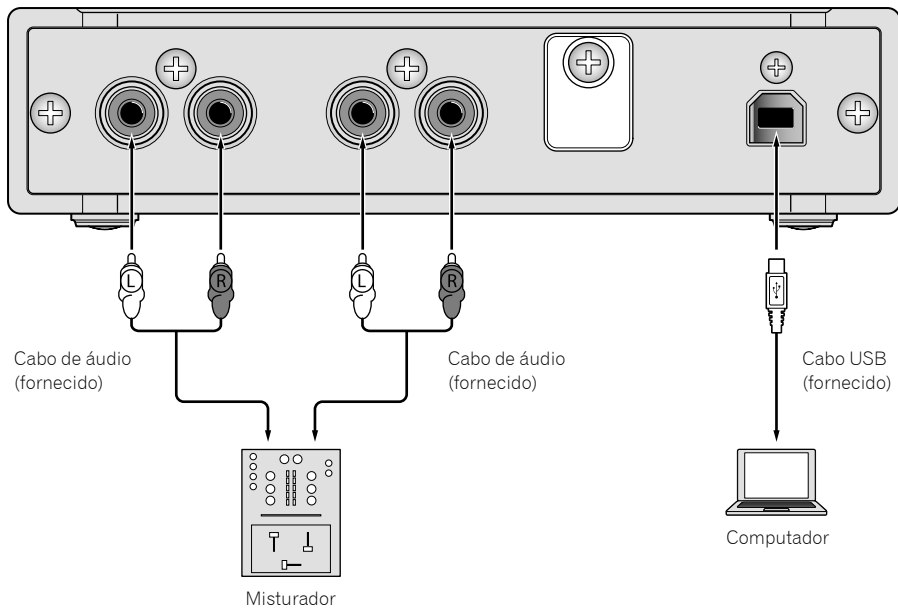
## Ligar os terminais de entrada/saída

### Painel posterior



## Painel frontal

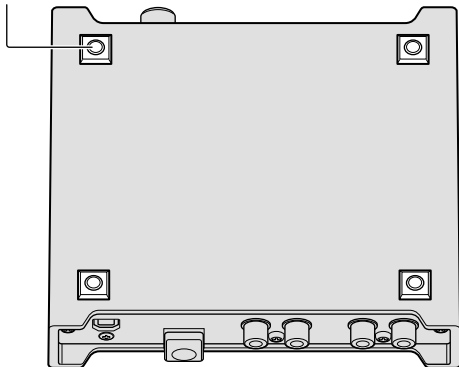
O áudio é reproduzido ao nível de linha.



## Como colocar os pés de borracha

Coloque os pés de borracha na unidade, se necessário. Dependendo de onde posicionar a unidade, coloque os pés de borracha em conformidade.

Pé de borracha

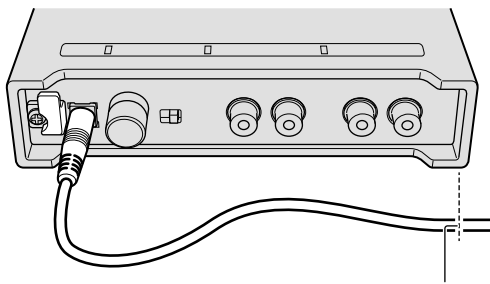


## Como utilizar o gancho do cabo/gancho do cabo USB

O cabo de alimentação do transformador de CA/cabo USB é fixo prendendo-o ao gancho do cabo/gancho do cabo USB. Prenda o cabo de alimentação do transformador de CA/cabo USB para evitar a desconexão acidental da unidade. Para posicionar o cabo de alimentação do transformador de CA/cabo USB, utilize a largura da unidade como guia.

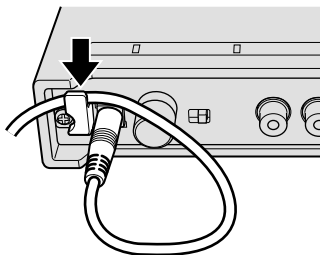
### O cabo de alimentação do transformador de CA

- 1 Ligue o cabo de alimentação do transformador de CA ao terminal [DC IN].
- 2 Fixe a posição para prender o cabo de alimentação do transformador de CA.

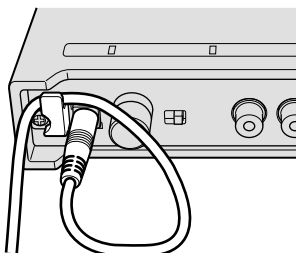


A posição para prender o cabo de alimentação do transformador de CA

- 3 Prenda o cabo de alimentação do transformador de CA a partir de cima.

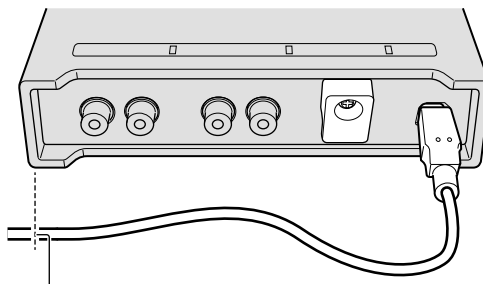


- 4 Certifique-se de que prende o cabo de alimentação do transformador de CA em segurança.



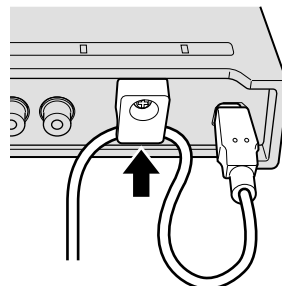
### O cabo USB

- 1 Ligue o cabo USB à porta [USB].
- 2 Fixe a posição para prender o cabo USB.

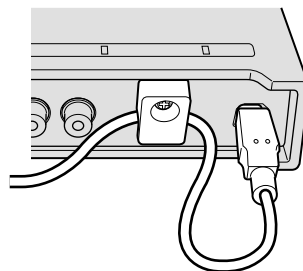


A posição para prender o cabo USB

- 3 Prenda o cabo USB a partir de baixo.



- 4 Certifique-se de que prende o cabo USB em segurança.



# Informação complementar

## Resolução de problemas

- Caso ache que existe algo de errado com esta unidade, verifique os itens da "Resolução de problemas" no Manual de instruções e verifique as [FAQ] do [INTERFACE 2] no site da Pioneer DJ. [pioneerdj.com/support/](http://pioneerdj.com/support/)  
Verifique também os dispositivos ligados. Se não for possível corrigir o problema, peça ao centro de assistência autorizado mais próximo da Pioneer ou ao seu revendedor para efetuar o conserto.
- A unidade pode não funcionar corretamente devido a eletricidade estática ou outras influências externas. Nesses casos, é possível que consiga repor o funcionamento normal desligando e voltando a ligar o cabo de alimentação.

## Acerca de marcas comerciais e marcas comerciais registadas

- Pioneer DJ é uma marca comercial da PIONEER CORPORATION e é utilizada sob licença.
- rekordbox é uma marca comercial ou uma marca comercial registada da Pioneer DJ Corporation.
- Windows é uma marca comercial registada da Microsoft Corporation nos Estados Unidos da América e noutros países.
- Adobe e Reader são marcas comerciais da Adobe Systems Incorporated nos E.U.A. e noutros países.
- macOS, OS X e Finder são marcas comerciais da Apple Inc., registadas nos E.U.A. e noutros países.
- Intel e Intel Core são marcas comerciais da Intel Corporation nos E.U.A. e/ou noutros países.
- ASIO é uma marca comercial da Steinberg Media Technologies GmbH.

Os nomes de empresas e produtos aqui mencionados são marcas comerciais ou marcas comerciais registadas dos seus respetivos proprietários.

## Cuidados a ter relativamente aos direitos de autor

O rekordbox restringe a reprodução e duplicação de conteúdo musical protegido por direitos de autor.

- Quando existirem dados codificados, etc., para proteger os direitos de autor integrados nos conteúdos de música, pode não ser possível utilizar o programa normalmente.
- Quando o rekordbox deteta que nos conteúdos de música estão integrados dados codificados, etc., para proteger os direitos de autor, o processamento (reprodução, leitura, etc.) pode ser interrompido.

As gravações que fizer são para fruição pessoal, e de acordo com as leis de direitos de autor, não podem ser utilizadas sem o consentimento do detentor dos direitos de autor.

- A música gravada a partir de CD, etc., está protegida pelas leis de direitos de autor de cada país, bem como por tratados internacionais. É da inteira responsabilidade da pessoa que gravou a música garantir que a sua utilização é legal.
- Ao manusear músicas transferidas a partir da Internet, etc., é da inteira responsabilidade da pessoa que transferiu a música garantir que é utilizada de acordo com o contrato celebrado com o site a partir do qual fez as transferências.

## Especificações

### Transformador de CA

Energia.....	CA 100 V a 240 V, 50 Hz/60 Hz
Corrente nominal .....	0,4 A
Saída nominal .....	CC 5 V, 2 A

### Geral - Unidade principal

Consumo de energia.....	CC 5 V, 600 mA
Peso da unidade principal.....	0,6 kg
Dimensões máx. .....	141 mm (largura) × 32,5 mm (altura) × 127,8 mm (profundidade)
Temperatura operacional tolerada .....	+5 °C a +35 °C
Humidade operacional tolerada .....	5 % a 85 % (sem condensação)

### Secção de áudio

Taxa de amostragem .....	44,1 kHz/48 kHz/96 kHz
Conversor D/A.....	32 bits
Conversores A/D .....	24 bits
Caraterística de frequência	

<b>LINE</b> .....	20 Hz a 20 kHz
-------------------	----------------

Relação sinal/ruído (saída nominal)\*1

<b>USB</b> .....	112 dB
<b>LINE</b> .....	103 dB
<b>PHONO</b> .....	100 dB

Distorção total de harmónicas\*1

<b>USB</b> .....	0,002%
<b>LINE</b> .....	0,005%
<b>PHONO</b> .....	0,007%

Nível de entrada máx.\*1

<b>LINE</b> .....	+12 dBu, 3,2 Vrms
<b>PHONO</b> .....	-22 dBu, 60 mVrms (1 kHz)

Impedância de entrada..... 42 kΩ

Nível de saída/impedância de carga nominal..... +11 dBu, 2,8Vrms/10 kΩ

Impedância de saída..... 550 Ω

Ganho

<b>PHONO</b> .....	+33 dB (1 kHz)
--------------------	----------------

\*1 Taxa de amostragem: a 96 kHz

### Terminais de entrada/saída

Terminal de entrada	
Ficha com pinos RCA .....	2 conjuntos

Terminal de saída	
Ficha com pinos RCA .....	2 conjuntos

Porta <b>USB</b>	
Tipo B.....	1 conjunto

- As especificações e design deste produto estão sujeitos a alterações sem aviso prévio.
- © 2017 Pioneer DJ Corporation. Todos os direitos reservados.

Благодарим вас за покупку данного изделия Pioneer DJ. Пожалуйста, внимательно изучите данные инструкции по эксплуатации для надлежащего использования данной модели. По завершению изучения инструкций, храните их в надежном месте для справок в будущем. В некоторых странах или регионах форма вилки питания и розетки может иногда отличаться от того, что отображено на иллюстрациях. Однако способ подключения и работы аппарата остается неизменным.

## ВНИМАНИЕ

ВО ИЗБЕЖАНИЕ ПОРАЖЕНИЯ ЭЛЕКТРИЧЕСКИМ ТОКОМ НЕ СНИМАЙТЕ КРЫШКУ (ИЛИ ЗАДНЮЮ СТЕНКУ). ВНУТРИ НЕ СОДЕРЖАТСЯ ДЕАТЛИ, ПРЕДНАЗНАЧЕННЫЕ ДЛЯ РЕМОНТА ПОЛЬЗОВАТЕЛЕМ. ДЛЯ ОБСЛУЖИВАНИЯ ОБРАТИТЕСЬ К КВАЛИФИЦИРОВАННОМУ СОТРУДНИКУ СЕРВИСНОЙ СЛУЖБЫ.

D3-4-2-1-1\_B1\_Ru

## ПРЕДУПРЕЖДЕНИЕ

Данное оборудование не является водонепроницаемым. Во избежание пожара или поражения электрическим током не помещайте рядом с оборудованием емкости с жидкостями (например, вазы, цветочные горшки) и не допускайте попадания на него капель, брызг, дождя или влаги.

D3-4-2-1-3\_A1\_Ru

## ПРЕДУПРЕЖДЕНИЕ

Во избежание пожара не приближайте к оборудованию источники открытого огня (например, зажженные свечи).

D3-4-2-1-7a\_A1\_Ru

## ОБЯЗАТЕЛЬНАЯ ВЕНТИЛЯЦИЯ

При установке устройства обеспечьте достаточное пространство для вентиляции во избежание повышения температуры внутри устройства (не менее 5 см сзади и по 3 см слева и справа).




D3-4-2-1-7d\*\_A1\_Ru

## Условия эксплуатации

Изделие эксплуатируется при следующих температуре и влажности:  
+5 °C до +35 °C; влажность менее 85 % (не заслоняйте охлаждающие вентиляторы)

Не устанавливайте изделие в плохо проветриваемом помещении или в месте с высокой влажностью, открытом для прямого солнечного света (или сильного искусственного света).

D3-4-2-1-7c\*\_A1\_Ru

Графический символ , нанесенный на изделие, обозначает переменный ток.  
Графический символ , нанесенный на изделие, обозначает постоянный ток.  
Графический символ , нанесенный на изделие, обозначает оборудование класса защиты II.

D3-8-2-4\_A1\_Ru

При использовании данного изделия, прочтите информацию по мерам безопасности на нижней стороне аппарата.

D3-4-2-2-4\_B1\_Ru

## ПРЕДУПРЕЖДЕНИЕ

Храните небольшие детали вне доступа детей. При случайном заглатывании, немедленно обращайтесь к врачу.

D41-6-4\_A1\_Ru

## МЕРЫ ПРЕДОСТОРОЖНОСТИ ПРИ ОБРАЩЕНИИ С СЕТЕВЫМ ШНУРОМ

Держите сетевой шнур за вилку. Не вытаскивайте вилку, взявшись за шнур, и никогда не касайтесь сетевого шнура, если Ваши руки влажные, так как это может привести к короткому замыканию или поражению электрическим током. Не ставьте аппарат, предметы мебели и т.д. на сетевой шнур, не зажимайте его. Не завязывайте узлы на шнуре и не связывайте его с другими шнурами. Сетевые шнуры должны лежать так, чтобы на них нельзя было наступить. Поврежденный сетевой шнур может стать причиной возникновения пожара или поразить Вас электрическим током. Время от времени проверяйте сетевой шнур. В случае обнаружения повреждения обратитесь за заменой в ближайший сервисный центр или к Вашему дилеру.

S002\*\_A1\_Ru

## ВНИМАНИЕ

Данное изделие испытывалось в условиях умеренного и тропического климата.

D3-8-2-1-7a\_A1\_Ru

Данное изделие предназначено для использования в общих хозяйственных целях. В случае возникновения любой неисправности, связанной с использованием в других, нежели хозяйственных целях (таких, как длительное использование в коммерческих целях в ресторане или в автомобиле, или на корабле) и требующей ремонта, такой ремонт осуществляется за плату, даже в течение гарантийного срока.

K041\_A1\_Ru

## ВНИМАНИЕ

Чтобы полностью отключить питание устройства, вытащите вилку кабеля питания из электророзетки. Поэтому устройство следует устанавливать так, чтобы вилку кабеля питания можно было легко вытащить из розетки в чрезвычайных обстоятельствах. Во избежание пожара следует извлекать вилку кабеля питания из розетки, если устройство не будет использоваться в течение долгого времени (например, если вы уезжаете в отпуск).



Если вы желаете утилизировать данное изделие, не выбрасывайте его вместе с обычным бытовым мусором. Существует отдельная система сбора использованных электронных изделий в соответствии с законодательством, которая предполагает соответствующее обращение, возврат и переработку.

Частные клиенты в странах-членах ЕС, в Швейцарии и Норвегии могут бесплатно возвращать использованные электронные изделия в соответствующие пункты сбора или дилеру (при покупке сходного нового изделия).

В странах, не перечисленных выше, для получения информации о правильных способах утилизации обращайтесь в соответствующие учреждения.

Поступая таким образом, вы можете быть уверены в том, что утилизируемый продукт будет соответствующим образом обработан, передан в соответствующий пункт и переработан без возможных негативных последствий для окружающей среды и здоровья людей.

K058b\_A1\_Ru

---

---

# Содержание

## Как следует читать данное руководство

Благодарим Вас за покупку этого изделия компании Pioneer DJ. Ознакомьтесь с данным руководством и Инструкциями по эксплуатации, которые доступны на сайте Pioneer DJ. В этих документах содержится важная информация, которую необходимо изучить перед началом работы с устройством.

Особенно внимательно ознакомьтесь с разделом "ВАЖНЫЕ СВЕДЕНИЯ О БЕЗОПАСНОСТИ". Также всегда храните данное руководство вместе с "Гарантией".

Сведения о работе программного обеспечения rekordbox см. в руководстве к программному обеспечению rekordbox.

- Пожалуйста, помните, что экраны и технические характеристики программного обеспечения, описываемого в данном руководстве, а также внешний вид и технические характеристики оборудования в данный момент находятся в стадии развития и конечные технические характеристики могут различаться.
- Пожалуйста, помните, что в зависимости от версии операционной системы, настроек веб-браузера и др. способы управления могут отличаться от процедур, описанных в данном руководстве.
- Обратите внимание, что язык экранов программного обеспечения, описанного в данном руководстве, может отличаться от языка ваших экранов.

В этом руководстве содержится краткое описание названий элементов данного устройства и способов подключения к нему периферийных устройств. Подробные инструкции по использованию данного устройства см. в Инструкции по эксплуатации устройства.

- Информацию о том, как получить Инструкции по эксплуатации, см. в разделе *Просмотр руководств* на стр. 5.

## 01 До начала

Свойства .....	5
Комплект поставки .....	5
Просмотр руководств .....	5
О программе rekordbox .....	5
Установка rekordbox .....	6

## 02 Названия деталей

Задняя панель .....	7
Фронтальная панель .....	8

## 03 Подключения

Подключение терминалов входа/выхода .....	9
---	---

## 04 Дополнительная информация

Возможные неисправности и способы их устранения .....	12
О торговых марках и зарегистрированных торговых марках .....	12
Предупреждения по авторским правам .....	12
Технические характеристики .....	12



# До начала

## Свойства

Данное устройство имеет 2-канальный интерфейс аудио, который позволяет использовать rekordbox dvs совместно с имеющимся микшером. Благодаря профессиональному качеству звучания, готовому к использованию на площадке, и портативному компактному и защищенному корпусу DJ выступления с DVS станут возможными в любое время и в любом месте. Светодиодные индикаторы на верхней панели показывают течение звука и обеспечивают правильное подключение.

## Комплект поставки

- Силовой кабель
- Адаптер переменного тока
- Кабель USB
- Аудиокабель × 4
- Резиновые ножки × 4
- Инструкции по эксплуатации (Краткое руководство пользователя) (этот документ)
- Гарантия (для некоторых регионов)\*
- Карта с ключом лицензии (rekordbox dj, rekordbox dvs)

\* Прилагающаяся гарантия предназначена для Европейского региона.

### Примечание

Сохраните лицензионный ключ, поскольку он не предоставляется повторно.

## Просмотр руководств

### Просмотр Инструкций по эксплуатации данного аппарата

#### 1 Запустите веб-браузер на компьютере и зайдите на сайт Pioneer DJ (см. ниже):

[pioneerdj.com/](http://pioneerdj.com/)

- Чтобы изменить язык, прокрутите вниз экрана, нажмите флажок или значок GLOBAL в правой нижней части экрана и выберите язык в раскрывающемся меню.

#### 2 Нажмите [Support].

#### 3 Нажмите [FIND TUTORIALS & MANUALS].

#### 4 Введите [INTERFACE 2] в строку поиска и нажмите отобразившуюся ссылку.

#### 5 Выберите из списка необходимый язык.

При необходимости загрузите.

### Просмотр Инструкций по эксплуатации rekordbox

#### 1 Запустите веб-браузер на компьютере и зайдите на сайт [rekordbox.com](http://rekordbox.com) (см. ниже).

[rekordbox.com/](http://rekordbox.com/)

#### 2 Нажмите [Support].

#### 3 Нажмите [Manual].

## 4 Выберите нужный язык руководства.

## О программе rekordbox

- rekordbox  
rekordbox — это сложное программное обеспечение, которое открывает возможности управления дорожками и DJ выступлений.
- rekordbox dj  
Функция DJ выступления rekordbox называется rekordbox dj. Введите лицензионный ключ, приведенный на карте ключа лицензии rekordbox dj, прилагающейся к данному продукту, для использования rekordbox dj.
- rekordbox dvs  
Функция DVS, которую можно добавить в rekordbox dj для выполнения операций деки при помощи управляющих сигналов, воспроизводимых с помощью CDJ или вертушки, называется rekordbox dvs. Для добавления этой функции в rekordbox dj необходимо ввести ключ лицензии с карты лицензии из комплекта поставки.

## Минимальная операционная среда

Поддерживаемые операционные системы	ЦП и требуемая память
macOS Sierra 10.12 (последнее обновление) OS X: 10.11/10.10/10.9 (последнее обновление)	Процессор Intel® Core™ i3/i5/i7, Процессор Intel® Core™ 2 Duo ОЗУ 4 ГБ или более
Windows: Windows 10/ Windows 8.1/Windows 7 (последний пакет обновления)	Процессор Intel® Core™ i3/i5/i7, Процессор Intel® Core™ 2 Duo ОЗУ 4 ГБ или более
Другое	
Порт USB	Для подключения компьютера к данному аппарату требуется наличие порта USB 2.0.
Разрешение дисплея	Разрешение 1280 × 768 или выше
Подключение к Интернет	Для регистрации учетной пользователя rekordbox и загрузки программного обеспечения требуется подключение к Интернету.

- Для получения дополнительной информации о системных требованиях, совместимости и поддерживаемых rekordbox операционных системах см. [System Requirements] на веб-сайте [rekordbox.com](http://rekordbox.com) ниже.
- Не гарантируется функционирование на всех компьютерах, даже если выполняются все указанные здесь условия по операционной среде.
- В зависимости от настроек энергосбережения и др. компьютера, ЦП и жесткий диск могут не обеспечивать достаточной обрабатывающей способностью. В особенности для ноутбуков убедитесь, что компьютер находится в надлежащем состоянии для обеспечения постоянной высокой работоспособности (например, удерживая постоянно подключенным к питанию переменного тока) во время использования rekordbox.
- Для использования Интернет требуется составить отдельный контракт с провайдером интернет-услуг и оплатить услуги провайдера.
- Используйте последнюю версию/пакет обновления операционной системы.

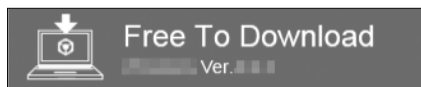
## Установка rekordbox

### 1 Откройте rekordbox.com.

[rekordbox.com/en/store/](http://rekordbox.com/en/store/)

- Содержание страницы может изменяться без предварительного уведомления.

### 2 Ознакомьтесь с руководством по началу работы нажмите [Free To Download].



### 3 Внимательно прочитайте Лицензионное соглашение с конечным пользователем и установите флажок [Agree], если вы согласны с его условиями.

Если установлен этот флажок, [Download] становится активным.

### 4 Нажмите [Download].

Начнется загрузка rekordbox.

### 5 Дважды щелкните по скачанному файлу, чтобы разархивировать его.

### 6 Дважды щелкните по разархивированному файлу, чтобы запустить программу установки.

### 7 Внимательно прочтите Лицензионное соглашение с конечным пользователем и, если вы согласны с ним, продолжите установку, следуя инструкциям на экране.

- Если вы не согласны с условиями Лицензионного соглашения, отмените установку.

### 8 Когда откроется окно с сообщением о завершении установки, закройте программу установки, следуя инструкциям на экране.

Установка завершена.

- Для использования rekordbox dj и rekordbox dvs требуется активация (проверка подлинности лицензии). Для получения дополнительной информации см. Инструкции по эксплуатации rekordbox.  
[rekordbox.com/en/support/manual.php](http://rekordbox.com/en/support/manual.php)

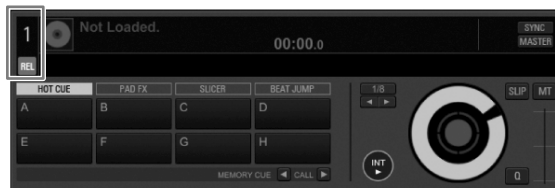
## Введите лицензионный ключ, чтобы активировать rekordbox dj.

- Выберите для rekordbox параметр [PERFORMANCE].
- Нажмите [Activate] в пункте [Предпочтения] > [License] > [rekordbox dj].

Введите лицензионные ключи, показанные на карте с лицензионным ключом, прилагающейся к данному устройству, а затем следуйте инструкциям на экране для активации rekordbox dj и rekordbox dvs.

- Для просмотра процедуры по активации rekordbox dj откройте "rekordbox.com" и ознакомьтесь с Руководством rekordbox на странице [Support] > [Manual].  
[rekordbox.com/](http://rekordbox.com/)

## Настройка DVS на rekordbox



Доступно четыре режима DVS: ABSOLUTE, RELATIVE, INTERNAL, THROUGH.

Нажмите номер DECK **1** для выбора режима в меню.

При выборе режима его название (**ABS** **REL** **INT** **THR**) отображается под номером DECK.

Название режима подсвечивается при получении сигнала управления от вертушки (или CDJ, XDJ).

При получении сигнала управления: **REL**

При отсутствии сигнала управления: **REL**

**ABS**: режим ABSOLUTE

- Местоположение иглы на вертушке связано с положением воспроизведения rekordbox DECK.

**REL**: режим RELATIVE

- Местоположение иглы на вертушке не связано с положением воспроизведения rekordbox DECK.

**INT**: режим INTERNAL

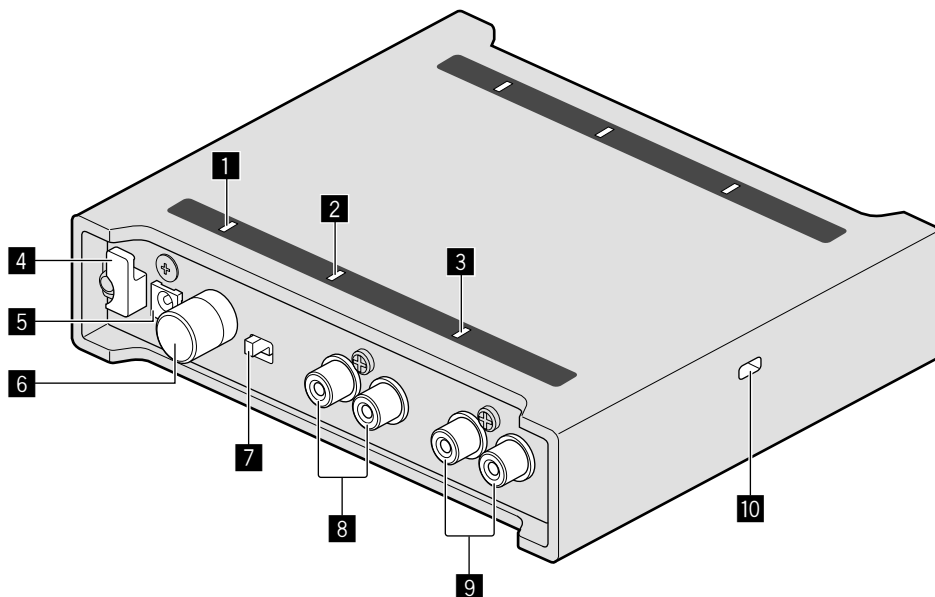
- Местоположение иглы, направление воспроизведения, темп и работа Vinyl! на вертушке не связаны с воспроизведением DECK.

**THR**: режим THROUGH

- Звук воспроизведения вертушки воспроизводится как есть.

# Названия деталей

## Задняя панель



**1** Индикатор DC

**2** Индикатор входа DECK2

**3** Индикатор входа DECK1

**4** Крюк проводки

**5** Терминал DC IN

**6** Терминал SIGNAL GND

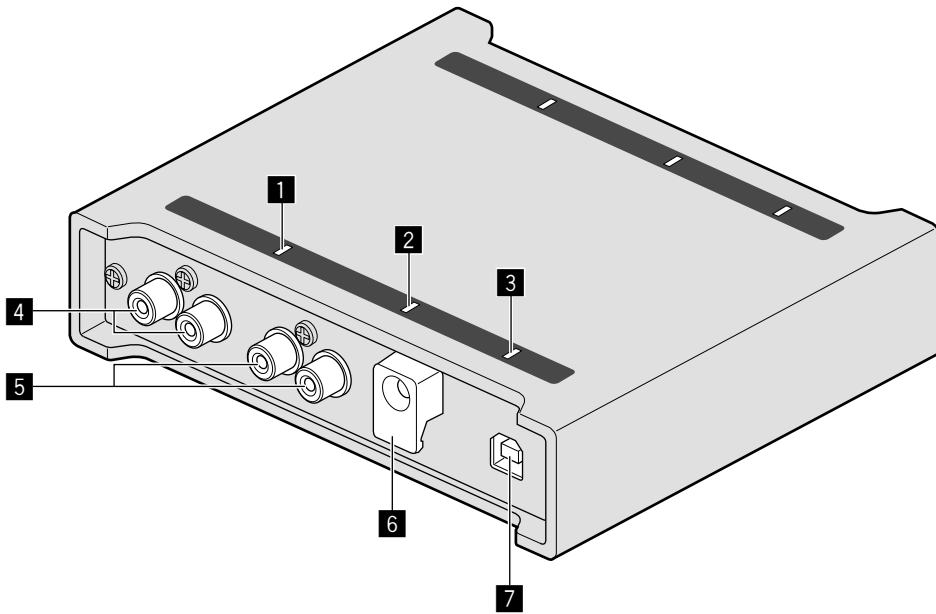
**7** Переключатель селектора входа

**8** Терминалы входа DECK2

**9** Терминалы входа DECK1

**10** Слот замка Кенсингтона

## Фронтальная панель



- 1** Индикатор выхода DECK1
- 2** Индикатор выхода DECK2
- 3** Индикатор USB
- 4** Индикаторы выхода DECK1
- 5** Индикаторы выхода DECK2
- 6** Крюк кабеля USB
- 7** Порт USB (тип B)

# Подключения

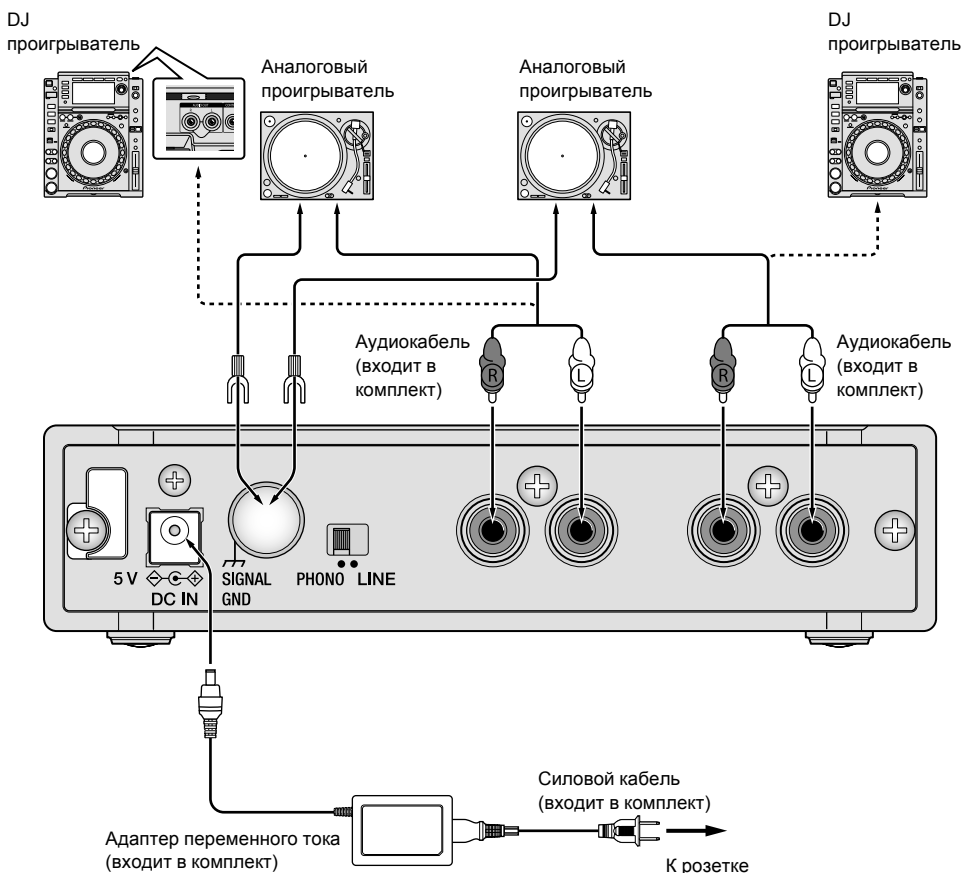
- После завершения всех подключений между устройствами подключите силовой кабель. При выполнении или изменении подключений обязательно отключите кабель USB и отсоедините силовой кабель от розетки.
- Используйте прилагаемый силовой кабель и адаптер переменного тока.
- Питание осуществляется за счет адаптера переменного тока или шины USB.
- Подключите данный аппарат и компьютер напрямую через поставляемый кабель USB.
- Используйте кабели USB, соответствующие спецификации USB 2.0.
- Концентраторы USB не могут использоваться.
- Смотрите инструкции по эксплуатации к подключаемому устройству.

## Примечания по использованию шины USB

- Данное устройство не может использоваться с питанием от шины USB в следующих случаях.
  - Емкость подачи питания порта USB на вашем компьютере слишком низкая.
  - К вашему компьютеру подключены другие устройства USB.
- Если шину USB невозможно использовать, используйте прилагаемый адаптер переменного тока.
- При использовании шины USB яркость индикаторов уменьшается. Чтобы использовать без ограничений, используйте прилагаемый адаптер переменного тока.

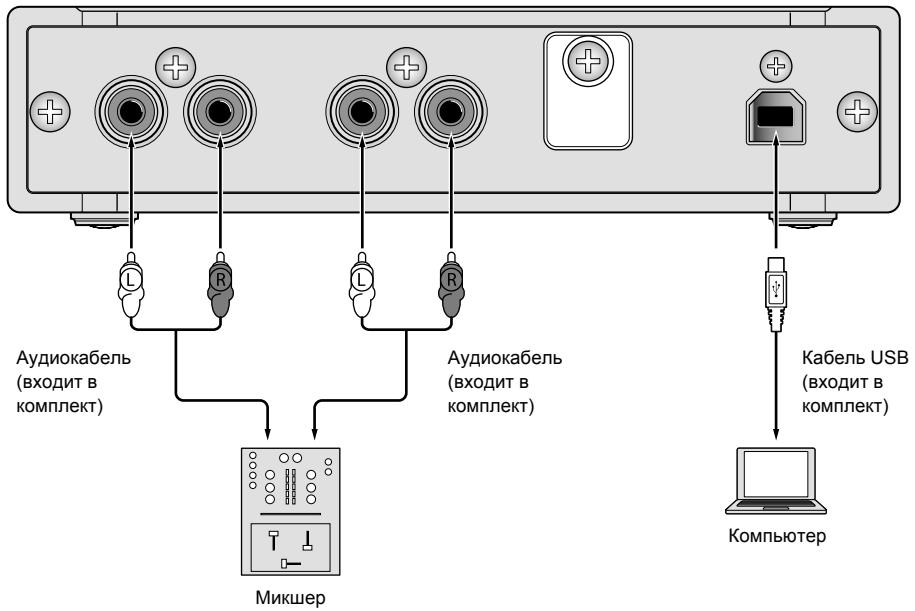
## Подключение терминалов входа/выхода

### Задняя панель



## Фронтальная панель

Аудио будет выводиться на линейном уровне.

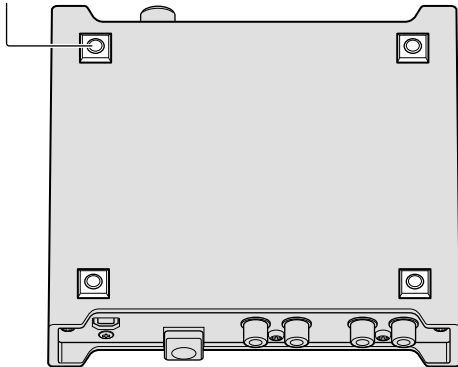


---

## Крепление резиновых ножек

При необходимости прикрепите к устройству резиновые ножки.  
В зависимости от места размещения устройства прикрепите резиновые ножки соответствующим образом.

Резиновая ножка

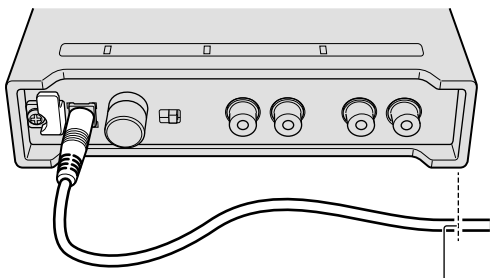


## Использование крюка проводки/крюка кабеля USB

Кабель питания адаптера переменного тока/кабеля USB фиксируется с помощью крюка кабеля/крюка кабеля USB. Зафиксируйте силовой кабель адаптера переменного тока/кабеля USB во избежание случайного отсоединения от устройства. Для расположения крепления силового кабеля адаптера переменного тока/кабеля USB руководствуйтесь шириной устройства.

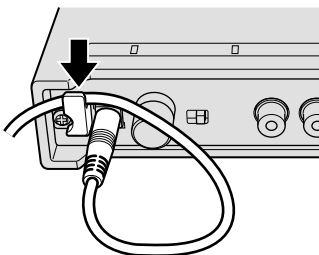
### Силовой кабель адаптера переменного тока

- 1 Подключите силовой кабель адаптера переменного тока к терминалу [DC IN].
- 2 Выберите положение для крепления силового кабеля адаптера переменного тока.

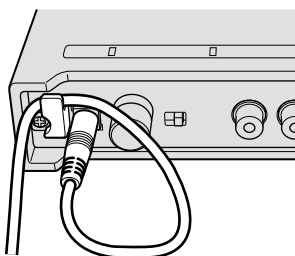


Положение для крепления силового кабеля адаптера переменного тока

- 3 Закрепите крюком силовой кабель адаптера переменного питания сверху.

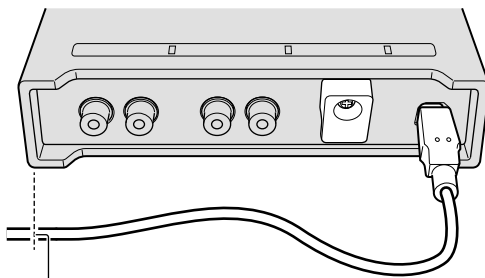


- 4 Надежно закрепите силовой кабель адаптера переменного тока.



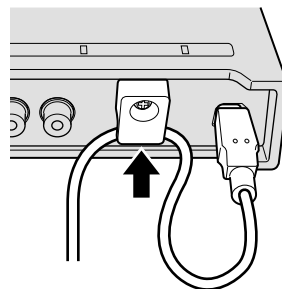
### Кабель USB

- 1 Подключите кабель USB к порту [USB].
- 2 Выберите положение для крепления кабеля USB.

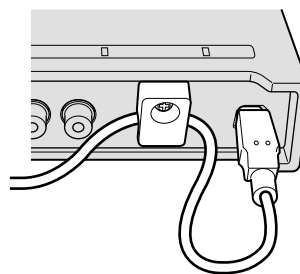


Положение для крепления кабеля USB

- 3 Закрепите крюком кабель USB снизу.



- 4 Надежно закрепите кабель USB.



# Дополнительная информация

## Возможные неисправности и способы их устранения

- Если вы считаете, что с данным устройством что-то не так, прочтите пункты в разделе “Возможные неисправности и способы их устранения” в Инструкции по эксплуатации данного устройства, а также раздел [FAQ] для [INTERFACE 2] на сайте Pioneer DJ.  
pioneerdj.com/support/  
Кроме того, проверьте состояние подключенных устройств. Если проблему невозможно устранить, обратитесь в ближайший авторизованный сервисный центр Pioneer или к дилеру для проведения ремонта.
- Данный аппарат может не срабатывать соответствующим образом по причине статического электричества или по другим внешним причинам. В таких случаях нормальную работу можно восстановить, отсоединив шнур питания от розетки, а затем подключив его снова.

## О торговых марках и зарегистрированных торговых марках

- Pioneer DJ является зарегистрированным товарным знаком корпорации PIONEER CORPORATION и используется по лицензии.
- rekordbox — торговая марка или зарегистрированная торговая марка компании Pioneer DJ Corporation.
- Windows является зарегистрированной торговой маркой Microsoft Corporation в Соединенных Штатах Америки и в других странах.
- Adobe и Reader являются торговыми марками Adobe Systems Incorporated, зарегистрированными в США и других странах.
- macOS, OS X и Finder являются торговыми марками Apple Inc., зарегистрированными в США и других странах.
- Intel и Intel Core являются торговыми марками Intel Corporation в США и/или других странах.
- ASIO является торговой маркой Steinberg Media Technologies GmbH.

Указанные здесь названия компаний и изделий являются торговыми марками или зарегистрированными торговыми марками соответствующих владельцев.

## Предупреждения по авторским правам

rekordbox ограничивает воспроизведение и копирование музыкального содержимого, защищенного авторскими правами.

- Если в музыкальном материале содержатся закодированные данные и др. для защиты авторских прав, может быть невозможно управлять программой как обычно.
- Когда rekordbox обнаруживает такие закодированные в музыкальном материале данные и др. для защиты авторских прав, обработка (воспроизведение, чтение и др.) может приостановиться.

Выполненные вами записи предназначены для вашего личного удовольствия и по закону о защите авторских прав не могут использоваться без согласия владельца авторских прав.

- Музыка, записанная на компакт-дисках и др., защищается законами о защите авторских правах отдельных стран и международными соглашениями. Ответственность за легальное использование записанной музыки полностью лежит на человеке, выполнившим запись.

- При обращении с музыкой, загруженной с Интернета и др., загрузивший музыку человек несет полную ответственность за использование музыки в соответствии с контрактом, заключенным с сайтом загрузки.

## Технические характеристики

### Адаптер переменного тока

Питание	от 100 В до 240 В переменного тока, 50 Гц/60 Гц
Номинальный ток	0,4 А
Номинальный выход	5 В пост. тока, 2 А

### Общее – Основной блок

Потребляемая мощность	5 В пост. тока, 600 мА
Вес основного блока	0,6 кг
Макс. габариты	141 мм (ширина) × 32,5 мм (высота) × 127,8 мм (глубина)
Допускаемая рабочая температура	от +5 °С до +35 °С
Допускаемая рабочая влажность	от 5 % до 85 % (без конденсации)

### Аудиораздел

Частота дискретизации	44,1 кГц/48 кГц/96 кГц
Цифрово-аналоговый преобразователь	32 бита
Аналогово-цифровой преобразователь	24 бита
Частотная характеристика	

LINE	от 20 Гц до 20 кГц
Соотношение сигнал/шум (номинальный выход)*1	

USB	112 дБ
LINE	103 дБ
PHONO	100 дБ

Общее нелинейное искажение\*1

USB	0,002%
LINE	0,005%
PHONO	0,007%

Макс. уровень входа\*1

LINE	+12 дБн, 3,2 Vrms
PHONO	-22 дБн, 60 mVrms (1 кГц)

Импеданс входа

Номинальный уровень выхода / Импеданс нагрузки	42 кΩ
--	-------

Номинальный уровень выхода / Импеданс нагрузки

	+11 дБн, 2,8 Vrms/10 кΩ
--	-------------------------

Импеданс выхода

	550 Ω
--	-------

Усиление

PHONO	+33 дБ (1 кГц)
-------	----------------

\*1 Частота дискретизации: при 96 кГц

### Терминалы входа / выхода

Терминал входа

Штырьковое гнездо RCA	2 набора
-----------------------	----------

Терминал выхода

Штырьковое гнездо RCA	2 набора
-----------------------	----------

Порт USB

Тип В	1 набор
-------	---------

- Технические характеристики и конструкция данного изделия могут изменяться без уведомления.

- © 2017 Pioneer DJ Corporation. Все права защищены.



**Примечание:**

Корпорация Пайонир Диджей устанавливает следующую продолжительность срока службы официально поставляемых на Российский рынок товаров.

Аудио и видеооборудование: 7 лет

Переносное аудиооборудование: 6 лет

Другое оборудование (наушники, микрофон и т.д.): 5 лет

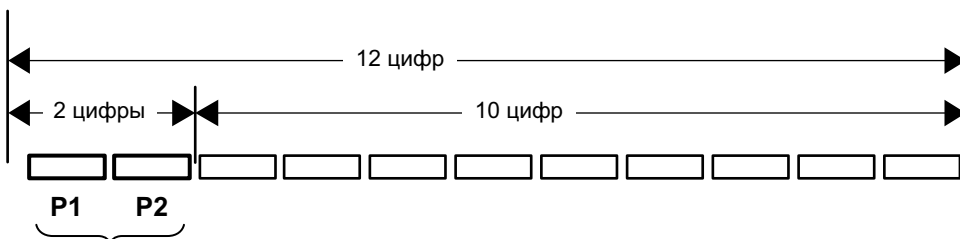
D3-7-10-6b\_B1\_Ru

**Информация для покупателей в ЕАЭС:**

Уполномоченной организацией в соответствии с требованиями ТР ТС 004/2011, 020/2011, 017/2011 является ООО "ПИОНЕР РУС", Россия, 105064, г. Москва, Нижний Сусальный переулок, дом 5, строение 19, т. (495) 9568901

D3-7-10-8b\_A1\_Ru

Дату изготовления оборудования можно определить по серийному номеру, который содержит информацию о месяце и годе производства.

**Серийный номер**

Дата изготовления оборудования

**P1 - Год изготовления**

Год	2001	2002	2003	2004	2005	2006	2007	2008	2009	2010
Символ	A	B	C	D	E	F	G	H	I	J
Год	2011	2012	2013	2014	2015	2016	2017	2018	2019	2020
Символ	K	L	M	N	O	P	Q	R	S	T

**P2 - Месяц изготовления**

Месяц	1	2	3	4	5	6	7	8	9	10	11	12
Символ	A	B	C	D	E	F	G	H	I	J	K	L

D3-7-10-7\_A1\_Ru





© 2017 Pioneer DJ Corporation. All rights reserved.  
© 2017 Pioneer DJ Corporation. Tous droits de reproduction et de traduction réservés.

### **Pioneer DJ Corporation**

6F, Yokohama i-Mark Place, 4-4-5 Minatomirai, Nishi-ku, Yokohama, Kanagawa 220-0012 JAPAN

### **Pioneer DJ 株式会社**

〒220-0012 神奈川県横浜市西区みなとみらい4丁目4番5号 横浜アイマークプレイス6階

### **Корпорация Пайонир Диджей**

6F, Йокогама i-Mark Place, 4-4-5 Минатомирай, Ниси-ку, Йокогама, Канагава 220-0012 ЯПОНИЯ

### **Pioneer DJ Europe Limited**

Anteros Building, Odyssey Business Park, West End Road, South Ruislip, Middlesex, HA4 6QQ, U.K. TEL: +44-203-7617-220

### **Pioneer DJ Americas, Inc.**

2050 W. 190th Street, Suite 109, Torrance, CA 90504, U.S.A. TEL: +1 (424) 488-0480

### **PIONEER ELECTRONICS ASIACENTRE PTE. LTD.**

2 Jalan Kilang Barat, #07-01, Singapore 159346 TEL: +65-6378-7888

### **PIONEER ELECTRONICS AUSTRALIA PTY. LTD.**

5 Arco Lane, Heatherton, Victoria, 3202, Australia, TEL: +61-3-9586-6300

### **PIONEER ELECTRONICS (THAILAND) CO., LTD.**

17th Fl., KPN Tower, 719 Rama 9 Road, Bangkapi, Huaykwang, Bangkok 10310  
TEL: +66-2-717-0777

### **PIONEER TECHNOLOGY (MALAYSIA) SDN. BHD**

16th Floor, Menara Uni. Asia 1008 Jalan Sultan Ismail 50250 Kuala Lumpur  
TEL: +60-3-2697-2920

### **先鋒股份有限公司**

台灣台北市內湖區瑞光路 407 號 8 樓 TEL: +886-(0)2-2657-3588

### **先鋒電子（香港）有限公司**

香港九龍長沙灣道 909 號 5 樓 TEL: +852-2848-6488

### **PIONEER ELECTRONICS DE MEXICO S.A. DE C.V.**

Blvd.Manuel Avila Camacho 138 10 piso Col.Lomas de Chapultepec,  
Mexico, D.F. 11000 TEL: +52-55-9178-4270

### **PIONEER INDIA ELECTRONICS PRIVATE LTD.**

216, Second Floor, Time Tower, M.G. Road, Sector 28, Gurgaon 122001,  
Haryana, India TEL: +91-124-463-6100

PDJ\_001\_all

Сделано в Малайзии

Printed in Malaysia / Imprimé en Malaisie

<DRH1441-A>

