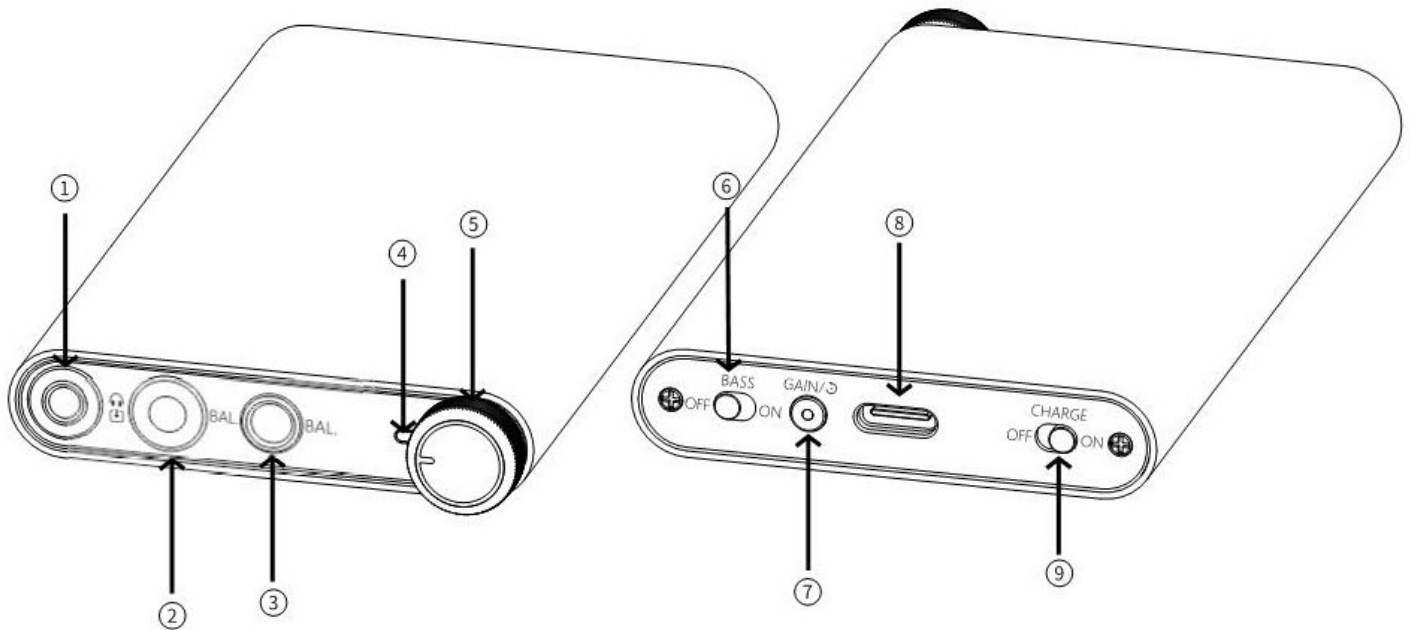


Buttons and Ports



- ① 3.5mm headphone output/Line in
- ② 2.5mm balanced headphone output
- ③ 4.4mm balanced headphone output
- ④ RGB indicator light
- ⑤ Power/Volume knob

- ⑥ Bass switch
- ⑦ Gain/Reset button/
Green indicator light
- ⑧ USB Type C port
- ⑨ Charging switch

Operation Instructions

1 Turn on/off

Turn the Power/Volume knob clockwise until a click sound is heard to turn on the device; keep turning clockwise to increase the volume. Turn anticlockwise to decrease the volume; turn anticlockwise until a click sound is heard to turn off the device.

2 Gain/Reset button/Green indicator light

1) **Single press button** ⑦: switch gains. The OFF green light means Low Gain, ON means High Gain.

2) **Hold button ⑦ for 15s:** reset the device. Hold the button ⑦ until the RGB indicator light turns off to complete the reset operation.

3) **Hold button ⑦ when connecting to a computer:** enter UAC1.0 mode. (Please hold it for less than 10 seconds. Otherwise the device will be reset.)

3 RGB indicator light

When the RGB indicator light is off, it is always on when it is not charged. Different colors represent the following meanings:

1) Powered on but not working: blue light

2) USB DAC mode

PCM: blue light

MQA: Magenta light

DSD: green light

3) Line in (headphone amp mode): blue light

4) Low battery prompt: red light flashes twice every 5 seconds

5) Charging (powered off): red light pulses; constantly on while it is fully charged

6) Charging (powered on): light pulses while still indicating the relevant states; constantly on while it is fully charged

4 Working as a USB DAC/sound card

1) If the Windows system supports UAC2.0: when first connecting the Q3 to the computer, please go to our website to download the USB DAC driver and follow the corresponding instructions to install it.

Download link: <http://www.fiiio.com/supports>

2) For MAC computers: there is no need to install the USB DAC driver, so directly select the Q3 as the output device.

Notes: it is recommended to set the system output volume on the computer to the max level and then adjust the output volume of the Q3 with its volume knob.

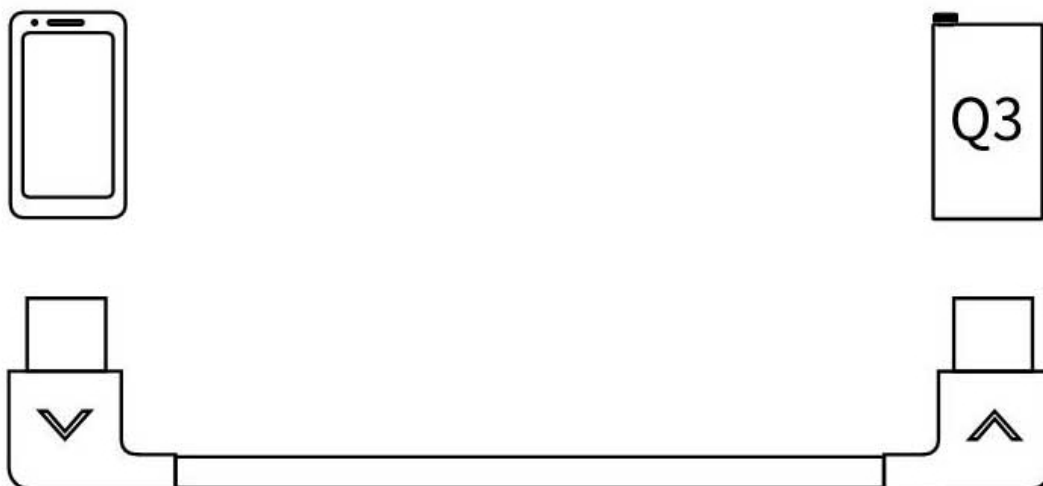
5 Line in (headphone amp mode)

When not connecting to the computer, turn on the Q3 and insert the line-in audio cable into the Q3's line-in port (3.5mm headphone output port), and meanwhile insert the balanced headphones into its 2.5mm or 4.4mm headphone output port. In this way, the Q3 will enter headphone amp mode which can amplify input signals and output them through balanced headphones. If it is connected to a computer, first you need to stop the playback on the computer to enable the Q3's headphone amp function. If the computer is playing audio, the Q3 will give priority to the USB DAC function.

6 Other functions

How to use the Type C to Type C USB cable

When using the included Type C to Type C USB cable to connect the Q3 to a mobile device, please follow the direction of the arrow on the cable end. The end with a downward arrow should be used for the mobile device while the upward arrow for the Q3. Here is the diagram.



Notes and Precautions

- ★ For your safety, please do not wear headphones in dangerous environments.
- ★ Please adjust the volume to a suitable level before wearing headphones to protect your hearing.
- ★ Please do not place the device in environments of excessive high/low temperature (above 45°C or below 0°C).
- ★ Please keep the device away from liquids to avoid any damage to it.
- ★ If the device is to be left unused for a long time, please recharge it periodically to preserve its battery life.
- ★ Please do not place the battery in high-temperature environments, and do not use the battery if it is soaked in water or if it is severely swollen. Please do not disassemble, hit, squeeze the battery or throw it into fire.
- ★ If the system shows an error, try to hold the RESET button⑦ for 15s to restore to normal operation.

List of Items Included

(Notes: check to make sure all items are included in the package.)

- USB A to Type C USB cable
- 3.5mm to 3.5mm audio cable
- Type C to Type C USB cable
- Silicone bands (long)
- Silicone bands (short)
- Silicone pad
- Warranty card
- Quick start guide

Learn More

To learn more about the product, please visit our website:

www.fiiio.com

WEEE Directive & Product Disposal



At the end of its serviceable life, this product should not be handed as household or general waste. It should be handed over to the applicable collection point for the recycling of electrical and electronic equipment, or returned to the supplier for disposal.

Internal/Supplied Batteries:

This symbol on the battery indicates that the battery is to be collected separately. This battery is designed for separate collection at an appropriate collection point.

Hereby, Guangzhou FiiO Electronics Technology Co., Ltd declares that this device is in compliance with Directive 2014/30/EU. The full text of the EU declaration of conformity is available at: www.fiiio.com/doc



FCC STATEMENT

1.This device complies with Part 15 of the FCC Rules.

Operation is subject to the following two conditions:

- (1)This device may not cause harmful interference, and
- (2)This device must accept any interference received, including interference that may cause undesired operation.

2.Changes or modifications not expressly approved by the party responsible for compliance could void the user' s authority to operate the equipment.