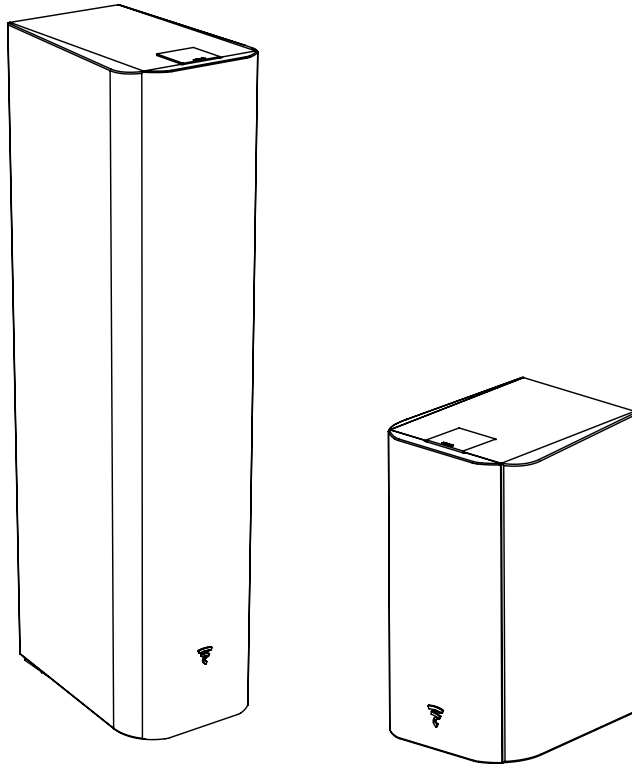


# CHORUS™ 700 SERIE

User Manual / Manuel d'utilisation



English page 6  
Français page 12

 **FOCAL**®  
LISTEN BEYOND



# CHORUS™ 700 SERIE

## User manual / Manuel d'installation

2

GB

Thank you for choosing Focal loudspeakers. We are pleased to share with you our philosophy "Listen Beyond". These high-performance speakers feature the latest technical developments from Focal in terms of speaker design, whether it is for high fidelity or home theater systems. In order to enjoy the maximum of their performance, we advise you to read this user's manual and to keep it carefully so that you can consult it later.

F

Nous vous remercions d'avoir choisi les enceintes Focal et de partager avec nous notre philosophie "Listen Beyond". Ces enceintes de haute technicité intègrent les ultimes perfectionnements Focal en matière de conception de haut-parleurs pour la haute fidélité et le home cinéma. Afin d'exploiter toutes leurs performances, nous vous conseillons de lire les instructions de ce livret puis de le conserver avec précaution pour vous y référer ultérieurement.

ES

Gracias por elegir sistemas de altavoces de Focal. Nos complace compartir con usted nuestra filosofía: "Listen Beyond". Estos sistemas de altavoces de altas prestaciones de Focal se caracterizan por estar dotados de los últimos avances tecnológicos de Focal en términos de diseño, tanto para sistemas de alta fidelidad como de Home Cinema. Con el objetivo de que disfrute al máximo de las prestaciones de los equipos le recomendamos lea este manual detenidamente y conserve el mismo para futuras consultas.

I

Grazie per aver scelto i diffusori acustici Focal. Siamo felici di condividere con voi la nostra filosofia: "Listen Beyond". Questi diffusori ad alte prestazioni adottano gli ultimi sviluppi tecnici Focal in termini di design, sia per sistemi hi-fi, sia per home theater. Per godere il massimo delle loro prestazioni, vi invitiamo a leggere questo manuale e conservarlo per future consultazioni.

D

Vielen Dank, dass Sie sich Für Focal lautsprecher entschieden haben. Gerne teilen wir mit Ihnen unsere Philosophie: "Listen Beyond". Was das design von HiFi Und Heimkinosystemen anbelangt, bieten diese Hochleistungs-lautsprecher den neuesten technischen Stand von Focal. Um diese lautsprecher voll nutzen und ihre Maximalleistung genießen zu können, sollten Sie das Benutzerhandbuch sorgfältig lesen und für die spätere Einsichtnahme gut aufbewahren.

RU

Благодарим Вас за выбор продукции компании Focal. Мы с удовольствием делимся с Вами нашей философией: «Listen Beyond». При изготовлении наших громкоговорителей используются самые передовые технологии разработанные компанией Focal, отличительной чертой нашей продукции является передовой дизайн и способность работать превосходно как в системах класса Hi-Fi, так и в домашнем кинотеатре. Для того чтобы ощутить максимум возможностей превосходства нашей продукции мы советуем вам внимательно ознакомиться с руководством пользователя и сохранить его, так как оно может пригодиться вам в будущем.

CN

祝贺和感谢您购买法国 Chorus 700 扬声器。我们很高兴能与您分享我们的理念：「Listen Beyond」。无论是高品质音响或家庭影院系统，这高性能扬声器俱备Focal最新技术发展音箱设计和声音放大技术，高品质音响或家庭影院系统均有出色表现。为了能享受产品的最佳表现，我们建议您阅读本用户手册，并妥善保存以便您随时参考。

J

この度は、フォーカルスピーカーをお買い上げいただきありがとうございます。"Listen Beyond" (サウンドの精神) という私たちの哲学を共有していただけたことに感謝申し上げます。ハイファイかホームシアターシステムのスピーカーであるかどうかに関わらず、高性能スピーカーには、スピーカーの設計面で、フォーカルの最新の技術開発を投入しています。最大のパフォーマンスで楽しんでいただくために、ユーザーズマニュアルをよくお読みください。また後々に参照できるよう大切に保管されることをお勧めします。

KR

Focal 스피커를 구입해주셔서 감사합니다. 우리의 철학인 "Listen Beyond"를 공유하게 되어서 기쁘게 생각합니다. 본 제품은 뛰어난 성능과 디자인 면에서 Focal의 최신 기술을 사용해 개발했습니다. 본 제품을 최대한 즐길 수 있게, 설명서를 읽어주시고 후에 참조할 수 있도록 보관해 주십시오.

AR

- شكرا لقيامك باختيار مكبرات الصوت Focal. يسرنا أن نتشارك معك بفلسفتنا: "حيوية الصوت" تعبر مكبرات الصوت عالية الأداء هذه عن أحدث التطورات التقنية في شركة Focal من ناحية التصميم سواء كانت للاداء عالي الأمانة أو أنظمة المسرح المنزلي. كي تتمكن من الاستمتاع بالأداء إلى الحد الأقصى، ننصحك بقراءة كتيب المستخدم والاحتفاظ به للرجوع إليه مستقبلا

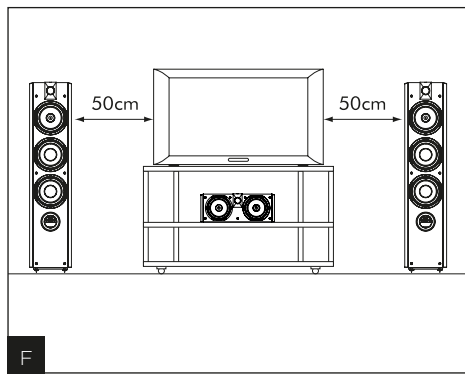
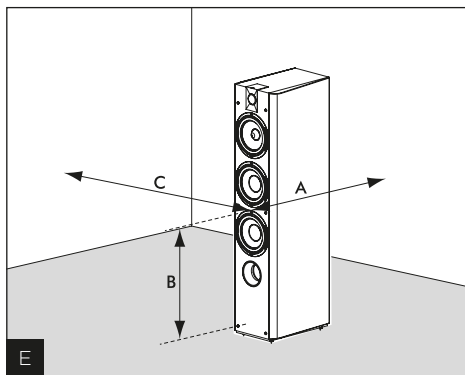
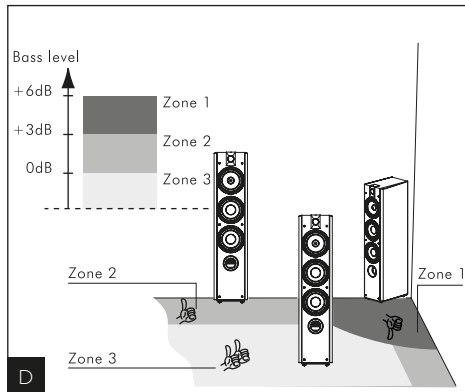
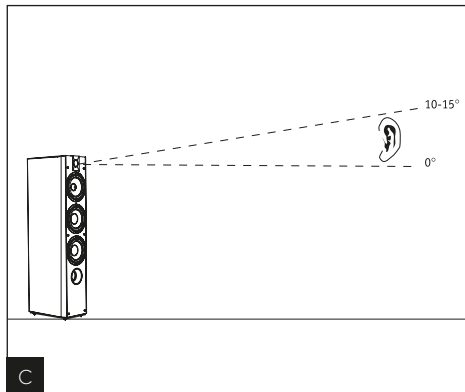
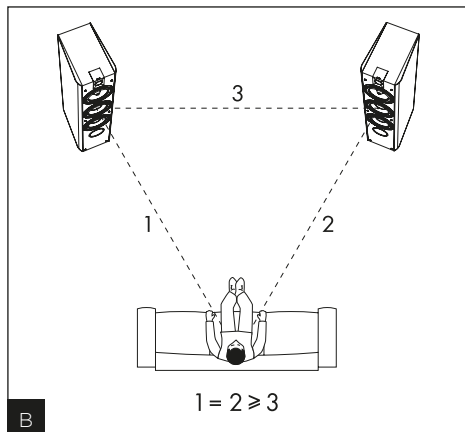
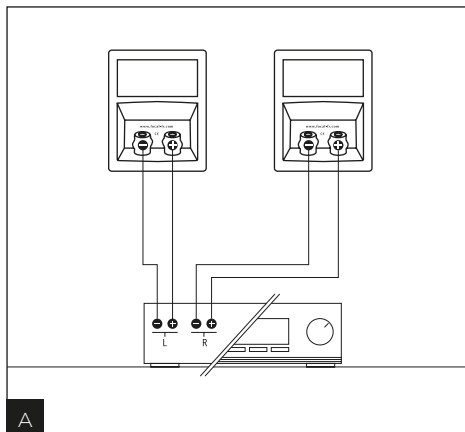
- تم تصنيع وتطوير منتج Focal-Jmlab من مواد ومكونات عالية الجودة وقابلة لإعادة التدوير وأو إعادة الاستخدام. يعني هذا الرمز أن التجهيزات الكهربائية والإلكترونية يجب التخلص منها بشكل منفصل عن القمامة العادية عند انتهاء عمرها التشغيلي. يرجى التخلص من هذا المنتج عبر نقله إلى نقطة الجمع المحلية أو مركز إعادة التدوير المخصص لهذا النوع من الأجهزة. سيساعد ذلك في حماية البيئة التي نعيش جميعنا فيها.



# CHORUS™ 700 SERIE

User manual / Manuel d'installation

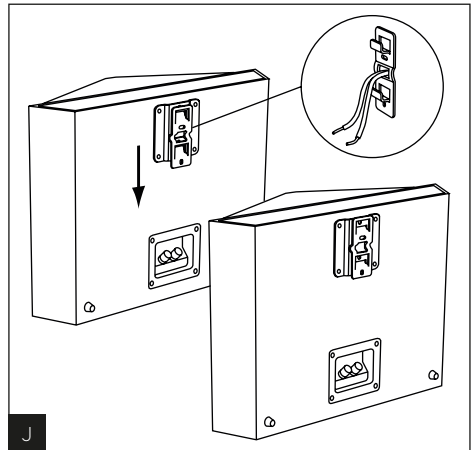
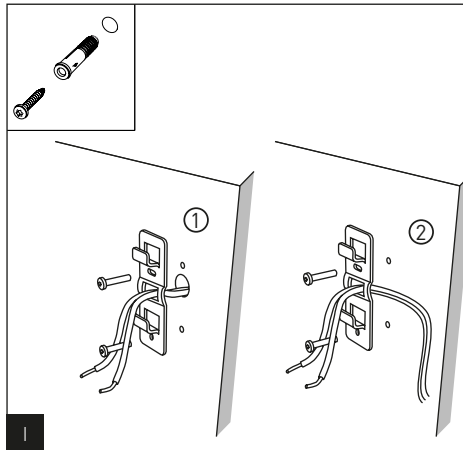
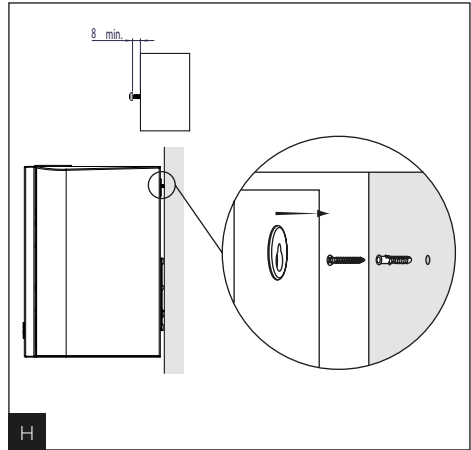
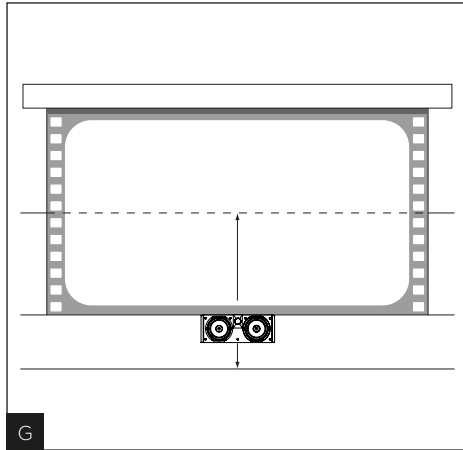
3



# CHORUS™ 700 SERIE

User manual / Manuel d'installation

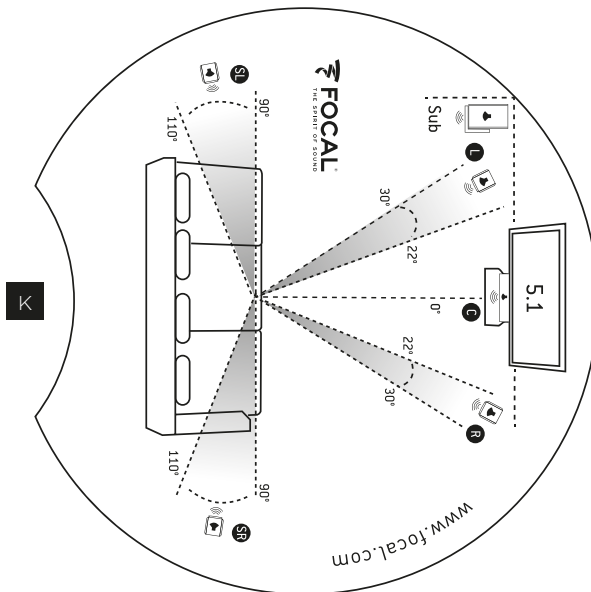
4



# CHORUS™ 700 SERIE

User manual / Manuel d'installation

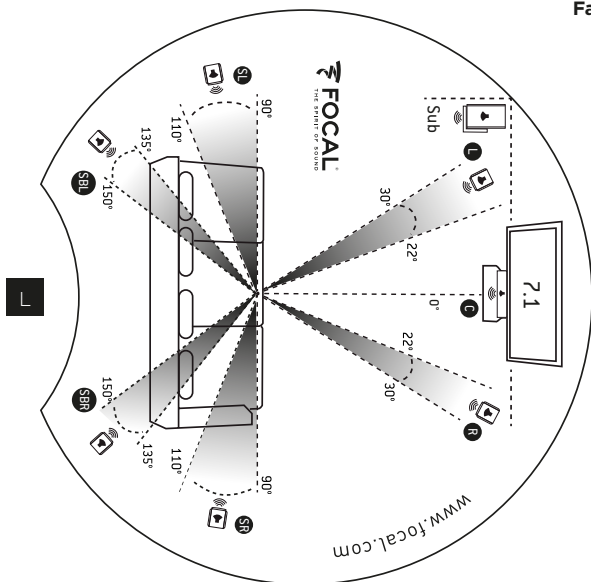
5



Aim at your screen



Face à l'écran



# CHORUS™ 700 SERIE

## User manual

English

Please validate your Focal-Jmlab warranty,  
it is now possible to register your product online: [www.focal.com/warranty](http://www.focal.com/warranty)



### Running-in period

The drivers used in the Chorus loudspeaker are complex mechanical devices and require an run-in period before they deliver their best performance. They must get adapted to the temperature and humidity conditions of their environment. This breaking-in period depends on the encountered conditions and can last several weeks. In order to shorten this period, we advise you to let your loudspeakers operate for about twenty hours.

Once the components of the loudspeakers are completely stabilized, it is possible to enjoy the real performance of your Chorus loudspeakers.

### Included inside:

- 1 x loudspeaker
- 1 x user manual
- 4 x decoupling spikes (714/716/726)
- 4 x lock nut (714/716/726)
- 4 x protective cap (714/716/726)

### Specifications

**The aluminum/magnesium alloy TNV inverted dome tweeter:** the tweeter of the Chorus benefits from the inverted dome technology, which is exclusive to Focal. It allows optimal energy transfer and wide dispersion. The aluminum /magnesium alloy making up of the dome guarantees exceptional performances in terms of stiffness and damping thus ensuring a subtle blend of softness and dynamics.

**Polyglass cone woofer and midbass:** impregnated paper cones with a fine layer of silica micro-balls for a fully dynamic bass impact, precise and distortion-free.

**OPC (optimum phase crossover):** phase optimization for a precise, natural and stable soundstage and image.

**Braced precision MDF cabinets, non parallel inner wall structure:** rigid cabinets without any internal resonance for lower coloration.

**Highly efficient acoustic wadding:** excellent internal damping, deeper and tighter bass.

**Highly reliable input sockets.**

**Decoupling spikes.**

### Conditions of warranty

All Focal loudspeakers are covered by warranty drawn up by the official Focal distributor in your country. Your distributor can provide all details concerning the conditions of guarantee. Warranty cover extends at least to that granted by the legal warranty in force in the country where the original purchase invoice was issued.

Due to constant technological advances, Focal reserves its right to modify specifications without notice. Images may not conform exactly to specific product..

# CHORUS 700™ SERIE

## User manual

7

### Connections

The Chorus input sockets ensure reliable multipurpose connections for stripped cables as well as for plugs. The “banana” terminals are obstructed in order to comply with electrical standards currently in force in several countries. Make sure not to remove the plastic safety lids.

It is imperative to respect the connector polarity of both the loudspeaker and amplifier. The positive terminal “+” must be connected to the corresponding (matching) amplifier’s terminal and the negative terminal “-” to the negative terminal (**fig. A**). Stereo image, soundstaging and bass perception would be seriously compromised if these conditions were not respected.

### Positioning

The Chorus loudspeakers have been engineered to deliver the most faithful sound reproduction, whether they are used for music or home cinema. In order to enhance their performance, to guarantee a high quality of listening, sound image and tone balance, it is important to note the following basic rules.

**The listening area must be located at the summit of an equilateral triangle** whose two other points of insertion are determined by the position of each speaker. Nevertheless it is possible to modify these distances to find an ideal compromise according to the particular disposition of the room (**fig. B**).

Each loudspeaker must be placed at the same height and on the same floor plan. The tweeter should be at the same height as the listener’s ear, when the listener is in their usual listening area (**fig. C**).

**Avoid placing the loudspeakers too close to the room’s corners or walls.** This will induce some unwanted room resonance and artificially increase bass response. On the contrary, if the bass level proves to be insufficient, it is possible to move the speakers closer to the walls to adjust the bass level (**fig. D**).

### Optimization

To please the perfectionists, we shall give an optimum positioning formula : if **A** is the distance from the boomer centre to the closest wall (floor or wall), **B** the intermediate distance and **C** the longest distance (**A<B<C**), the relation **B<sup>2</sup>=AC** determines the ideal position of the speakers.

#### • Example 1:

If the boomer centre is 50cm (20”) away from the rear wall (**A**) and 60cm (24”) above the floor (**B**), then the side wall will be ideally 72cm (28”) (**C=B<sup>2</sup>/A=72cm**) (**fig. E**).

### User instructions

The sound performance of the Chorus loudspeaker depends strongly upon the listening room’s acoustics, the place of the loudspeakers and the listening area. These factors can be modified in order to correct or enhance a desired effect.

**Should the soundstage be imprecise or not centred**, try to move the loudspeakers closer to each other.

Harsh or aggressive sound means that your listening room is probably too reflective. Try to use any absorbing materials (such as carpet, sofa, wall coverings, curtains...) combined with reflective materials to absorb or diffuse resonances.

**Should the sound be “flat” or muffled**, there are too many absorbing materials in the listening room. The sound appears to be closed-in, with a narrow stereophonic image. Try to find a better compromise between absorbing and reflective materials within your listening room.

Generally the wall to the rear of the speakers should be made up of reflective materials so that the sound image exhibits satisfying volume and width. On the contrary the wall on the rear of the listener should be absorbing in order to avoid reflections damaging the perception of the stereo soundstage. These reflections may limit the impression of depth of the sound image. Furniture, such as bookshelves should be ideally placed along the side walls in order to diffuse sound waves and to prevent some frequencies from being amplified, especially in vocal range (it removes “flutter echo”).

# CHORUS™ 700 SERIE

## User manual

8

### Choice of speakers

The Chorus loudspeakers have been engineered to work with stereo systems as well as with home theater systems. If you already own a pair of stereo Chorus loudspeakers and wish to purchase a complete home theater system, it is of the utmost importance that you use the central and effect loudspeakers of the same product line : Chorus. It is the sole possible condition to bring to your system a perfect tonal homogeneity and a realistic and coherent reproduction of tri-dimensional effects within the listening room.

### Central channel placement

Central channel speaker should be placed close to the TV-screen to obtain a proper placement and a realistic reproduction of the dialog. It could be placed below the TV-screen (**fig. F**).

If a standard projection screen is used, the central channel speaker must be placed under the screen.

If an acoustically transparent projection screen is used, the central channel speaker can be placed behind and at the bottom of the screen (**fig. G**).

### Effect channel speakers's place

The soundtrack mix for a film or music encoded in multichannel format is very complex and allows the listener to benefit from a wide range of special sound effects, which require the use of effect channel speakers. In order to obtain a realistic 3D soundstage, the placement of the speakers is decisive, even when confronted with a restrictive disposition of the listening room.

For enhanced performances, the following elements should be noted.

**Avoid placing the effect speakers too far from the listening area** otherwise the sound perception will be altered. In order to obtain surround effects, with great sound density we advise you to place the speakers against the sidewalls on each side of the listening room (**fig. K, L**).

### Satellites positioning

- Use the positioning tool (**fig. K, L**)
- Go at your listening spot
- Aim at your screen
- It gives you the best positions for your speakers



# CHORUS™ 700 SERIE

## User manual

9

### Bookshelf mounting (705)

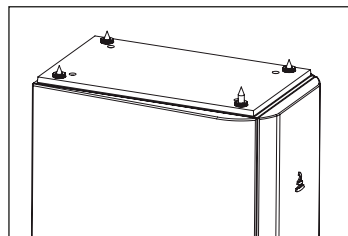
Fixing the bookshelf as indicated (fig. H).

### Surround mounting (SR 700) with Polyfix wall bracket

- Place the wall rest on to the wall and drill. Use only plugs fitting your wall material.
- If the loudspeaker cable is embedded in the wall, guide it through the wall mounted bracket's opening as indicated ① (fig. I).
- If the loudspeaker cable is fixed to the wall slide it under the wall mounted bracket as indicated ② (fig. I).
- Guide the loudspeaker cable through the Polyfix plate as indicated.
- Clip the plate on the loudspeaker to the wall mounted bracket as indicated (fig. I, J).

### Accessories

The Chorus 700 floorstanding loudspeaker systems include four decoupling spikes (cones) and should be screwed, if necessary, into the four metal inserts situated on the base of the loudspeaker. These spikes ensure a better stability for floorstanding speakers, particularly if the floor is not perfectly flat and smooth. The enclosed spikes are adjustable in height. After having adjusted the height of the spikes, don't forget to lock them with the locknut.



### User precautions

The TNV tweeter is made up of a relatively soft aluminum/magnesium alloy and has a "shape memory" that enables it to rapidly take its initial shape again after slight impacts. However we advise you not to remove the speaker grille in order to keep the dome protected. If the dome surface is damaged, tweeter performance may be compromised.

As the loudspeaker's covering materials are strong, scratch- and stain-resistant, maintenance is easy and consists only in cleaning the covering with a dry cloth. If the enclosure is stained, we simply recommend the use of a damp cloth.

Never use any solvents, detergents, alcohol or corrosive products, scrap-pers or scouring powder to clean the surface of the loudspeaker.

Avoid placing the loudspeakers near a heat source.

### About amplifiers

Contrary to what one might think, it is not a too powerful amplifier that might damage a loudspeaker, but rather a lack of power. Actually if the output level of the amplifier is too high it will saturate and distort which will irretrievably damage the tweeter.

The power handling and frequency response of the Chorus loudspeakers is good enough to highlight the qualities or weak points of the amplifiers they are combined with. Let your retailer help you make the right choice, matching your personal taste and budget.

### Cable

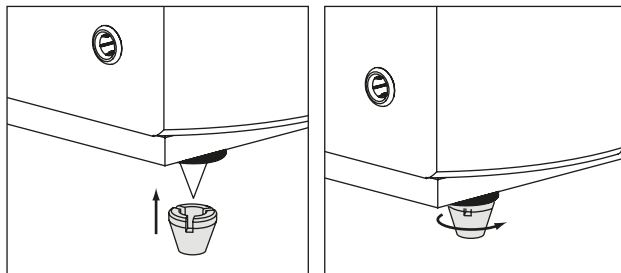
Don't underestimate the importance of the cable: make sure you chose the appropriate section and length. Let your retailer advise you.

# CHORUS™ 700 SERIE

User manual

10

## Installation of spike caps



## Specifications

	Chorus 705	Chorus 706	Chorus 714	Chorus 716
<b>Description</b>	2-way bass reflex bookshelf loudspeaker	2-way bass reflex bookshelf loudspeaker	2.5-way bass reflex floor standing loudspeaker	2.5-way bass reflex floor standing loudspeaker
<b>Drivers</b>	5" (130mm) Polyglass mid-bass  1" (25mm) TNV inverted dome tweeter	6.5" (165mm) Polyglass mid-bass  1" (25mm) TNV inverted dome tweeter	5" (130mm) shielded Polyglass Woofer  5" (130mm) shielded Polyglass mid-bass  1" (25mm) TNV inverted dome tweeter	6.5" (165mm) Polyglass Woofer  6.5" (165mm) Polyglass mid-bass  1" (25mm) TNV inverted dome tweeter
<b>Frequency response (±3dB)</b>	65Hz-28kHz	55Hz-28kHz	52Hz-28kHz	50Hz-28kHz
<b>Sensibility (2.83V/1m)</b>	89dB	90dB	91dB	91.5dB
<b>Nominal impedance</b>	8 ohms	8 ohms	8 ohms	8 ohms
<b>Minimum impedance</b>	3 ohms @ 200Hz	3.6 ohms @ 226Hz	4.2 ohms @ 160Hz	4.3 ohms @ 146Hz
<b>Recommended amplifier power</b>	25/100W	25/120W	30/150W	40/200W
<b>Crossover frequency</b>	3000Hz	3000Hz	300-3000Hz	300-3000Hz
<b>Dimensions (HxWxD)</b>	315x190x227mm 12 <sup>3</sup> / <sub>8</sub> x 7 <sup>1</sup> / <sub>2</sub> x 8 <sup>15</sup> / <sub>16</sub> "	390x220x265mm 15 <sup>3</sup> / <sub>8</sub> x 8 <sup>2</sup> / <sub>3</sub> x 10 <sup>7</sup> / <sub>16</sub> "	899x200x270mm 35 <sup>7</sup> / <sub>16</sub> x 7 <sup>7</sup> / <sub>8</sub> x 10 <sup>5</sup> / <sub>8</sub> "	949x221x310mm 37 <sup>3</sup> / <sub>8</sub> x 8 <sup>11</sup> / <sub>16</sub> x 12 <sup>3</sup> / <sub>16</sub> "
<b>Net Weight (unit)</b>	5.7kg - 12.5lbs	8.2kg - 18lbs	16kg - 35.6lbs	20.5kg - 45.1lbs

# CHORUS™ 700 SERIE

## User manual

11

	Chorus 726	Chorus CC 700	Chorus SR 700
<b>Description</b>	3-way bass reflex floor standing loudspeaker	2-way center loudspeaker sealed	2-way sealed effects loudspeaker
<b>Drivers</b>	Two 6.5" (165mm) Polyglass Woofer  6.5" (165mm) Polyglass mid-range  1" (25mm) TNV inverted dome tweeter	Two 6.5" (130mm) shielded Polyglass mid-bass  1" (25mm) TNV inverted dome tweeter	6.5" (165mm) Polyglass mid-bass  1" (25mm) TNV inverted dome tweeter
<b>Frequency response (±3dB)</b>	48Hz-28kHz	61Hz-28kHz	75Hz-28kHz
<b>Sensibility (2.83V/1m)</b>	91.5dB	91dB	90dB
<b>Nominal impedance</b>	8 ohms	8 ohms	8 ohms
<b>Minimum impedance</b>	2.9 ohms @ 118Hz	5.2 ohms @ 160Hz	3.7 ohms @ 260Hz
<b>Power handling With musical program</b>	40/250W	25/200W	25/100W
<b>Crossover frequency</b>	300-3000Hz	3000Hz	3000Hz
<b>Dimensions (HxWxD)</b>	989x222x345mm 38 <sup>15/16</sup> x8 <sup>3/4</sup> x13 <sup>9/16</sup> "	185x491x195mm 7 <sup>5/16</sup> x19 <sup>1/3</sup> x7 <sup>11/16</sup> "	295x401x146mm 11 <sup>5/8</sup> x 15 <sup>2/3</sup> x 5 <sup>7/8</sup> "
<b>Net Weight (unit)</b>	23.5kg - 51.7lbs	7.5kg - 16.5lbs	4.7kg - 10.3lbs

# CHORUS™ 700 SERIE

## Manuel d'installation

Français

Pour validation de la garantie Focal-JMlab,  
il est maintenant possible d'enregistrer son produit en ligne : [www.focal.com/garantie](http://www.focal.com/garantie)



### Période de rodage

Les haut-parleurs utilisés dans Chorus sont des éléments mécaniques complexes qui exigent une période d'adaptation pour fonctionner au mieux de leurs possibilités et s'adapter aux conditions de température et d'humidité de votre environnement. Cette période de rodage varie selon les conditions rencontrées et peut se prolonger sur quelques semaines. Pour accélérer cette opération, nous vous conseillons de faire fonctionner vos enceintes une vingtaine d'heures. Une fois les caractéristiques de l'enceinte totalement stabilisées, vous pourrez profiter intégralement des performances de vos enceintes Chorus.

### Contenu du carton :

- 1 x enceinte
- 1 x manuel utilisateur
- 4 x pointe de découplage (714/716/726)
- 4 x contre-écrou (714/716/726)
- 4 x embouts de protection pour les pointes (714/716/726)

### Caractéristiques

**Tweeter TNV à dôme inversé en alliage aluminium / magnésium :** le tweeter de la Chorus utilise la technologie du dôme inversé exclusive à Focal, permettant un transfert optimal de l'énergie et une directivité limitée. L'alliage aluminium / magnésium du dôme garantit des performances exceptionnelles en matière de rigidité et d'amortissement, pour un aigu à la fois doux et dynamique.

**Médium et woofer à cône Polyglass :** membrane fibre de cellulose rigidifiée par un composé de microbilles de verre pour un son détaillé et impactant, sans distorsions.

**Filtre à phase optimisée OPC :** optimisation de la phase pour une image sonore précise, stable et naturelle.

**Construction en MDF avec flancs rapportés non parallèles :** enceintes rigides, absence de résonance pour une plus grande neutralité des timbres.

**Évent profilé :** grave puissant sans distorsion.

**Quate acoustique haute efficacité :** excellent amortissement interne, grave tenu et plus profond.

**Connexions haute fiabilité, couple de serrage élevé.**

**Pointes de découplage fournies.**

### Conditions de garantie

En cas de problème, adressez-vous à votre revendeur Focal.

La garantie pour la France sur tout matériel Focal est de 2 ans non transmissible en cas de revente, à partir de la date d'achat. En cas de matériel défectueux, celui-ci doit être expédié à vos frais, dans son emballage d'origine auprès du revendeur, lequel analysera le matériel et déterminera la nature de la panne. Si celui-ci est sous garantie, le matériel vous sera rendu ou remplacé en "franco de port". Dans le cas contraire, un devis de réparation vous sera proposé.

La garantie ne couvre pas les dommages résultant d'une mauvaise utilisation ou d'un branchement incorrect (bobines mobiles brûlées par exemple...).

En dehors de la France, le matériel Focal est couvert par une garantie dont les conditions sont fixées localement par le distributeur officiel Focal-JMlab de chaque pays, en accord avec les lois en vigueur sur le territoire concerné.

Dans un but d'évolution, Focal-JMlab se réserve le droit de modifier les spécifications techniques de ses produits sans préavis. Images non contractuelles.

# CHORUS™ 700 SERIE

## Manuel d'installation

13

### Branchements

Les connecteurs des Chorus assurent des contacts fiables et polyvalents, pour câbles dénudés (jusqu'à 4 mm de diamètre) ou des fourches. Les bornes bananes sont obstruées pour être en conformité avec les normes électriques et de raccordement en vigueur dans certains pays. Ne pas retirer les opercules en plastique.

Il est impératif de respecter la polarité des enceintes. Le connecteur marqué " + " doit être connecté sur la sortie correspondante de l'amplificateur, le connecteur marqué " - " sur la borne négative (fig. A). Si cette condition n'est pas respectée, l'image stéréo et la perception du grave se dégraderont considérablement.

### Choix de l'emplacement

Vos enceintes Chorus ont été étudiées pour restituer le plus fidèlement possible toutes les formes de musiques ou programmes home cinéma. Il convient toutefois d'observer quelques règles simples pour optimiser leurs performances, garantir un bon équilibre tonal et une image sonore réaliste.

**Les enceintes devront être placées de façon symétrique face à la zone d'écoute**, de manière à former idéalement un triangle équilatéral avec celle-ci. Il est néanmoins possible de faire varier ces distances pour trouver le compromis idéal en fonction des conditions d'aménagement particulières (fig. B).

**Les enceintes devront être placées à même hauteur sur un même plan horizontal**. Idéalement, le tweeter sera placé au niveau des oreilles de l'auditeur au point d'écoute habituel (fig. C).

**Ne placez pas les enceintes trop près d'un angle de la pièce et évitez de trop les rapprocher d'un mur**. Ceci aura pour effet d'exciter certaines résonances de la pièce et d'augmenter artificiellement le niveau du grave. A contrario, si le niveau de grave est jugé insuffisant, on pourra tenter de rapprocher les enceintes des murs pour rééquilibrer le niveau de grave (fig. D).

### Optimisation

Pour les perfectionnistes, nous donnerons une formule de positionnement optimal :

Si **A** est la distance du centre du boomer à la paroi la plus proche (sol ou mur), **B** la distance intermédiaire et **C** la distance la plus grande (**A < B < C**), la relation **B<sup>2</sup> = AC** définit la position idéale de l'enceinte.

• **Exemple :**

Si le centre du boomer est éloigné du mur arrière de 50 cm (A) et à 60 cm du sol (B), alors le mur latéral sera idéalement à 72 cm (**C = B<sup>2</sup>/A = 72 cm**) (fig. E).

### Conseils d'utilisation

Le comportement des enceintes Chorus dépend de l'acoustique du local d'écoute, du bon positionnement des enceintes dans celui-ci et de l'emplacement de l'auditeur. Il est possible d'interagir sur ces éléments pour corriger ou améliorer un effet recherché.

**La perception stéréophonique est imprécise et mal centrée :** essayez de rapprocher les enceintes l'une de l'autre et/ou les orienter vers le point d'écoute

**Le son est dur, agressif :** l'acoustique de votre pièce est probablement trop réverbérante. Envisagez l'utilisation de matériaux absorbants (tapis, canapé, tentures murales, rideau...) et réfléchissants (mobilier) pour absorber ou diffuser les résonances.

**Le son est " plat ", étouffé :** excès de matériaux absorbants dans la pièce, le son est bouché, sans relief. Recherchez un meilleur compromis entre les matériaux absorbants et réfléchissants de votre intérieur.

D'une manière générale, on cherchera à ce que le mur placé derrière les enceintes soit de nature réfléchissante pour que le son se développe correctement. À l'inverse, le mur placé derrière la zone d'écoute sera idéalement absorbant pour éviter que des réflexions arrière ne viennent " polluer " la perception de l'image stéréophonique. Le mobilier pourra être placé judicieusement sur les murs latéraux pour diffuser les ondes sonores afin d'éviter d'exciter certaines zones de fréquences notamment dans le médium (suppression du " flutter écho ").

# CHORUS™ 700 SERIE

## Manuel d'installation

14

### Choix des enceintes

Les enceintes Chorus ont été mises au point pour fonctionner en stéréo comme en home cinéma. Si vous possédez déjà des enceintes Chorus à l'avant et désirez évoluer vers le home cinéma, il est capital d'utiliser une enceinte centrale et des enceintes surround Chorus. Il s'agit de la seule solution envisageable pour vous garantir une parfaite concordance de timbres et une répartition à la fois réaliste et cohérente des effets tridimensionnels dans la pièce.

### Placement de l'enceinte centrale

L'enceinte centrale doit être placée à proximité de l'écran pour une restitution réaliste des dialogues. Elle peut être placée sous le téléviseur si le meuble TV le permet (**fig. F**).

Si un écran de projection standard est utilisé, l'enceinte centrale devra être placée au pied de l'écran pour des résultats optimaux. Si un écran micro perforé est utilisé, elle pourra alors être placée derrière l'écran, vers la moitié basse de celui-ci (**fig. G**).

### Placement des enceintes surround

La complexité des bandes sonores des films, tout particulièrement celles qui sont mixées en 5.1, permet aujourd'hui d'obtenir une très grande diversité d'effets surround. Le choix du placement des enceintes surround est donc déterminant pour l'obtention d'un espace tridimensionnel réaliste.

L'objectif visé est d'obtenir des sons suffisamment diffus et difficiles à localiser par l'application de quelques règles de base.

**Éviter de placer les enceintes surround trop en arrière de la zone d'écoute**, car la perception s'en trouvera dégradée. Privilégiez un placement sur les murs latéraux pour obtenir des effets sonores plus enveloppants (**fig. K, L**).

### Emplacement des satellites

- Installez-vous à votre place d'écoute
- Positionnez l'outil (**fig. K, L**) face à votre écran
- Il vous donne le meilleur positionnement pour vos enceintes

# CHORUS™ 700 SERIE

## Manuel d'installation

15

### Fixation enceintes bookshelf (705)

Monter l'enceinte comme indiqué (fig. H).

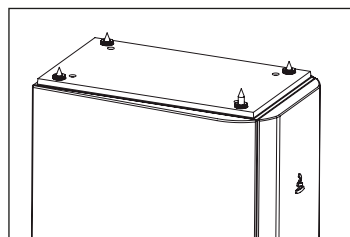
### Fixation surround sur support Polyfix (SR 700)

- Positionner le support mural sur la cloison et percer. N'utiliser que des chevilles de fixation adaptées à la nature de votre cloison.
- Si le câble haut-parleur est encastré dans la cloison, le faire passer par l'orifice du support mural comme indiqué ① (fig. I).
- Si le câble est fixé contre la cloison, le faire passer sous le passage de câble du support comme indiqué ②. (fig. I).
- Faire passer le câble haut-parleur dans la plaque Polyfix comme indiqué.
- Cliper la plaque de l'enceinte sur le support mural comme indiqué (fig. I, J).

### Accessoires

Les enceintes colonnes Chorus 700 sont fournies avec quatre pointes (cônes) de découplage, à visser au besoin sur les 4 inserts métalliques situés à la base de l'enceinte.

Ces pointes permettent d'assurer une très bonne stabilité aux enceintes colonnes, notamment lorsque le sol n'est pas parfaitement plan et lisse. Les pointes fournies sont réglables en hauteur, de manière à ce que les 4 pointes reposent uniformément au sol sans aucun basculement. Une fois la hauteur des pointes déterminées, les bloquer avec le contre-écrou.



### Précautions d'utilisation

Le tweeter TNV utilise un alliage aluminium / magnésium relativement souple, possédant un effet de "mémoire de forme" pour le mettre à l'abri de la plupart des petits chocs domestiques. Néanmoins nous vous recommandons de laisser en place les grilles de protection en tissu pour mettre le dôme à l'abri. Si la surface du dôme est marquée, le tweeter pourrait être altéré.

L'entretien des enceintes Chorus se limite à un dépoussiérage à l'aide d'un chiffon sec. Si l'enceinte est tâchée, nous vous recommandons simplement l'utilisation d'un chiffon humide.

Ne jamais utiliser de solvants, détergents, alcools ou produits corrosifs, grattoirs ou ustensiles récurants pour nettoyer la surface de l'enceinte.

Éviter la proximité d'une source de chaleur.

### Choix de l'amplificateur

Ce n'est pas l'excès de puissance d'un amplificateur qui risque de détériorer l'enceinte et les haut-parleurs, mais au contraire un défaut de puissance. En effet si le volume est trop élevé, l'amplificateur sature et génère des signaux parasites qui risqueraient de détruire le tweeter.

La capacité dynamique et la définition des enceintes Chorus sont suffisamment élevées pour mettre en évidence les qualités et défauts des amplificateurs qui leur seront associés. Votre revendeur saura aiguiller votre choix, en fonction de vos goûts et de votre budget.

### Choix des câbles

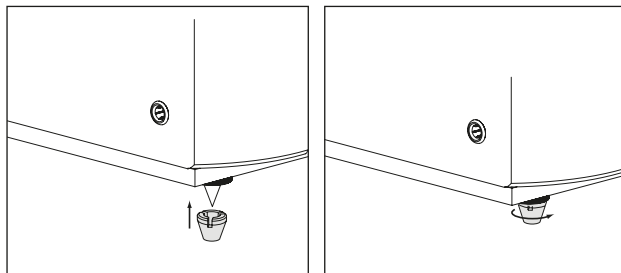
Choisir des câbles de qualité de section appropriée à la longueur : votre revendeur saura vous conseiller.

# CHORUS™ 700 SERIE

## Manuel d'installation

16

### Mise en place embouts de protection sur pointes



### Caractéristiques

	Chorus 705	Chorus 706	Chorus 714	Chorus 716
<b>Type</b>	Bibliothèque bass reflex 2 voies	Bibliothèque bass reflex 2 voies	Colonne bass reflex 2 voies et demie	Colonne bass reflex 2 voies et demie
<b>Haut-parleurs</b>	Grave / médium Polyglass 13 cm Tweeter TNV à dôme inversé 25 mm	Grave / médium Polyglass 16,5 cm Tweeter TNV à dôme inversé 25 mm	Grave / médium Polyglass 13 cm Tweeter TNV à dôme inversé 25 mm	Grave / médium Polyglass 16,5 cm Tweeter TNV à dôme inversé 25 mm
<b>Réponse en fréquence (±3 dB)</b>	65 Hz - 28 kHz	55 Hz - 28 kHz	52 Hz - 28 kHz	50 Hz - 28 kHz
<b>Sensibilité (2,83V/1m)</b>	89 dB	90 dB	91 dB	91,5 dB
<b>Impédance nominale</b>	8 ohms	8 ohms	8 ohms	8 ohms
<b>Impédance minimum</b>	3 ohms @ 200Hz	3,6 ohms @ 226Hz	4,2 ohms @ 160Hz	4,3 ohms @ 146Hz
<b>Puissance ampli recommandée</b>	25 / 100 W	25 / 120 W	30 / 150 W	40 / 200 W
<b>Fréquence de filtrage</b>	3000Hz	3000Hz	300-3000Hz	300-3000Hz
<b>Dimensions (H x L x P)</b>	315 x 190 x 227 mm	390 x 220 x 265 mm	899 x 200 x 270 mm	949 x 221 x 310 mm
<b>Poids (unité)</b>	5,7 kg	8,2 kg	16 kg	20,5 kg



# CHORUS™ 700 SERIE

## Manuel d'installation

17

	Chorus 726	Chorus CC 700	Chorus SR 700
<b>Type</b>	Colonne bass reflex 3 voies	Enceinte centrale blindée 2 voies close / bass reflex	Enceinte surround close 2 voies
<b>Haut-parleurs</b>	2 x grave Polyglass 16,5 cm  Médium Polyglass 16,5 cm  Tweeter TNV à dôme inversé 25 mm	2 x grave / médium Polyglass 16,5 cm  Tweeter TNV à dôme inversé 25 mm	Grave / médium Polyglass 16,5 cm  Tweeter TNV à dôme inversé 25 mm
<b>Réponse en fréquence (±3 dB)</b>	48 Hz - 28 kHz	61 Hz - 28 kHz	75 Hz - 28 kHz
<b>Sensibilité (2,83V/1m)</b>	91,5 dB	91 dB	90 dB
<b>Impédance nominale</b>	8 ohms	8 ohms	8 ohms
<b>Impédance minimum</b>	2,9 ohms @ 118Hz	5,2 ohms @ 160Hz	3,7 ohms @ 260Hz
<b>Puissance ampli recommandée</b>	40 / 250 W	25 / 200 W	25 / 100 W
<b>Fréquence de filtrage</b>	300-3000Hz	3000Hz	3000Hz
<b>Dimensions (H x L x P)</b>	989 x 222 x 345 mm	185 x 491 x 195 mm	295 x 401 x 146 mm
<b>Poids (unité)</b>	23,5 kg	7,5 kg	4,7 kg

**Élimination correcte de ce produit.**

Ce marquage indique que ce produit ne doit pas être éliminé avec les autres déchets ménagers au sein de l'UE. Par mesure de prévention pour l'environnement et pour la santé humaine, veuillez le recycler de manière responsable, pour favoriser la réutilisation des ressources matérielles. Pour retourner votre appareil usé, veuillez utiliser les systèmes de retour et de collecte ou contactez le détaillant chez lequel le produit a été acheté. Celui-ci pourra procéder au recyclage du produit en toute sécurité

**Correct elimination of this product.**

This marking indicates that within the EU this product should not be disposed of with other household wastes. To prevent any risk to the environment or human health, please recycle them responsibly to encourage the reuse of material resources. To return your used device, please use the return and collection systems available, or contact the retailer where you purchased the product. They can recycle this product safely.

**Ordnungsgemäße Entsorgung des Produkts.**

Diese Kennzeichnung weist darauf hin, dass dieses Produkt innerhalb der EU nicht mit anderen Haushaltsabfällen entsorgt werden darf. Als Präventivmaßnahme für die Umwelt und die menschliche Gesundheit muss auf eine verantwortungsbewusste Wiederverwertung zur Förderung der Wiederverwendung von materiellen Ressourcen geachtet werden. Für die Rückgabe von Gebrauchsgütern verwenden Sie bitte zur Verfügung stehende Rückgabe- und Recyclingsysteme oder wenden Sie sich an den Händler, bei dem Sie das Produkt erworben haben. Letzterer kann das Gerät sicher dem Wertstoffkreislauf zuführen.

**Eliminación correcta de este producto.**

Este símbolo indica que este producto no debe eliminarse con el resto de residuos domésticos dentro de la UE. Con el objetivo de proteger el medioambiente y la salud pública, recicle de forma responsable para favorecer la reutilización de los recursos materiales. Para devolver su aparato usado, utilice los sistemas de devolución y recogida o póngase en contacto con el vendedor del producto. Este podrá proceder al reciclaje del producto de forma totalmente segura.

**Corretto smaltimento di questo prodotto.**

Questa marcatura indica che, nell'UE, questo prodotto non deve essere smaltito insieme agli altri rifiuti domestici. A titolo preventivo per l'ambiente e la salute, deve essere riciclato in modo responsabile per favorire il riutilizzo delle risorse materiali. Per mandare indietro l'apparecchio usato, si prega di utilizzare il sistema di reso e raccolta o di contattare il rivenditore da cui è stato acquistato il prodotto, il quale potrà procedere a riciclare il prodotto in totale sicurezza.

**Eliminação correta deste produto.**

Esta marca indica que, na UE, este produto não deve ser eliminado com outro lixo doméstico. Como medida de prevenção para o ambiente e para a saúde humana, deve ser reciclado de modo responsável, para promover a reutilização dos recursos materiais. Para devolver o seu dispositivo usado, recorra aos sistemas de devolução e recolha ou contacte o comerciante em que o produto foi adquirido. Este poderá proceder à reciclagem do produto com toda a segurança.

**Prawidłowe usuwanie produktu.**

To oznaczenie informuje, że produktu nie należy usuwać wraz z innymi odpadami z gospodarstwa domowego na terenie UE. W celu ochrony środowiska i zdrowia człowieka, należy w sposób odpowiedzialny prowadzić recykling i wspierać ponowne wykorzystywanie materiałów. Aby zwrócić swoje urządzenie, należy skorzystać z systemu zwrotu i odbioru prowadzonego przez sprzedawcę detalicznego, u którego produkt został nabyty. Sprzedawca będzie w stanie w sposób bezpieczny przeprowadzić recykling produktu.

**Tuotteen asianmukainen hävittäminen.**

Tämä merkintä osoittaa, että EU:ssa tätä tuotetta ei saa hävittää muiden kotitalousjätteiden mukana. Kierrätä se vastuullisesti ehkäistäksesi mahdollisia vaaroja ympäristölle tai ihmisten terveydelle ja edistääksesi aineellisten voimavarojen uudelleenkäyttöä. Palauta käytetty laite käyttämällä saatavilla olevia palautus- ja keräysjärjestelmiä tai ota yhteys jälleenmyyjään, jolta ostit tuotteen. He voivat kierrättää tämän tuotteen turvallisesti.

**Правильная утилизация продукта.**

Данная маркировка указывает на то, что в пределах ЕС этот продукт не может утилизироваться вместе с бытовым мусором. В целях предотвращения загрязнения окружающей среды и нанесения ущерба здоровью человека утилизируйте продукт должным образом, позволяющим произвести его повторную переработку. Для того чтобы вернуть бывшее в употреблении устройство, используйте системы возврата и сбора сырья либо обратитесь в пункт розничной торговли, в котором вы приобрели продукт, для организации повторной переработки с соблюдением всех норм безопасности.

**Correcte verwijdering van dit product.**

Deze markering geeft aan dat dit product in de EU niet samen met ander huishoudelijk afval mag worden weggegooid. Om het milieu en de gezondheid van de mens te beschermen, dient u het product op verantwoorde wijze te recyclen om hergebruik van materiële hulpbronnen te stimuleren. U kunt uw gebruikte apparaat retourneren bij een recyclepunt of milieustation, of neem contact op met de winkel waar u het product hebt gekocht. Zo kan het product op verantwoorde wijze worden gerecycled.





#### Korrekt avlägsnande av produkten.

Denna märkning anger att produkten inte ska kasseras med annat hushållsavfall inom EU. För att förhindra skada på miljö och människors hälsa, vänligen återvinn produkten ansvarsfullt för att främja återanvändning av materialresurserna. Använd tillgängliga återlämnings- och insamlingsystem för att återlämna din använda anordning, eller kontakta återförsäljaren som du köpte produkten av. De kan återvinna produkten säkert.

SE



#### A termék helyes ártalmatlanítása.

Ez a jelölés azt jelzi, hogy a terméket nem szabad az EU területén az egyéb háztartási hulladékkal együtt kidobni. A lehetséges környezet- és egészségkárosodás elkerülése érdekében kérjük, hogy a hulladékot felelősen hasznosítsa újra, ezzel segítve a nyersanyagok újrahasznosítását. A használt eszközök visszaküldéséhez használja a rendelkezésre álló visszaküldési és gyűjtőrendszereket vagy forduljon a kiskereskedőhöz, akitől a terméket vásárolta. Ők elvégzik a termék biztonságos újrahasznosítását.

HU



#### Pareiza, šī produkta, likvidācija.

Šis marķējums norāda, ka Eiropas Savienībā šo produktu nedrīkst izmest kopā ar citiem sadzīves atkritumiem. Lai novērstu jebkādu risku videi vai cilvēku veselībai, lūdzam nodot produktu atsevišķai pārstrādei, lai veicinātu materiālo resursu atveidošanu. Lai atgrieztu savu lietoto ierīci, lūdzu, izmantojiet pieejamās atpakalpojodšanas un savākšanas sistēmas, vai sazinieties ar izplatītāju, no kura iegādājāties šo produktu. Tas var droši pārstrādāt šo produktu.

LV



#### Pravilno odlaganje tega izdelka.

Ta oznaka pomeni, da tega izdelka v EU ni dovoljeno odlagati z drugimi gospodinjiskimi odpadki. V izognitev povzročanju morebitne škode za okolje ali človeško zdravje izdelek reciklirajte odgovorno, da omogočite ponovno uporabo materiala. Če želite rabljeno napravo vrniti, jo vrnite prek sistemov za vračanje in zbiranje, ki so na voljo, ali pa se obrnite na trgovca, pri katerem ste izdelek kupili, ki bo izdelek varno recikliral.

SI



#### Správná likvidace tohoto výrobku.č.

Toto označení znamená, že výrobek v EU nelze likvidovat spolu s jiným domácím odpadem. Aby se předešlo možným škodám na životním prostředí či na lidském zdraví, výrobky zodpovědně recyklujte, podpořte tím opětovné využívání materiálů. Pro vrácení použitého výrobku využijte dostupné vratné a sběrné systémy nebo se spojte s maloobchodním prodejcem, kde jste výrobek zakoupili. Ti pak mohou výrobek bezpečně recyklovat.

CZ



#### Σωστή απόρριψη αυτού του προϊόντος.

Αυτή η σήμανση υποδεικνύει ότι το προϊόν αυτό δεν πρέπει να απορρίπτεται μαζί με άλλα οικιακά απορρίμματα εντός της ΕΕ. Για να αποφευχθεί τυχόν κίνδυνος για το περιβάλλον ή την ανθρώπινη υγεία, παρακαλείσθε να το ανακυκλώσετε υπεύθυνα για να προωθήσετε την επαναχρησιμοποίηση των υλικών πόρων. Για να επιστρέψετε τη μεταχειρισμένη συσκευή σας, χρησιμοποιήστε τα διαθέσιμα συστήματα επιστροφής και συλλογής ή επικοινωνήστε με το κατάστημα από το οποίο αγοράσατε το προϊόν. Αυτοί μπορούν να ανακυκλώσουν το προϊόν με ασφάλεια.

GR



#### Tinkamas šio gaminio šalinimas.

Šis ženklas reiškia, kad ES šalyse šio gaminio negalima išmesti su buitinėmis atliekomis. Norėdami išvengti pavojaus aplinkai arba žmonių sveikatai, atsakingai pasirūpinkite jo perdirbimu, kad paskatintumėte pakartotinį medžiagų panaudojimą. Norėdami grąžinti panaudotą prietaisą, pasinaudokite esamomis atliekų grąžinimo ir surinkimo sistemomis arba kreipkitės į pardavėją, iš kurio įsigijote gaminį. Jie gali saugiai perdirbti šį gaminį.

LT



#### Správná likvidácia tohto výrobku.

Toto označenie určuje, že v rámci EÚ sa tento výrobok nesmie likvidovať spolu s komunálnym odpadom z domácností. Aby sa predišlo rizikám pre životné prostredie alebo ľudské zdravie, zabezpečte ich náležitú recykláciu, čím podporíte opätovné využívanie prírodných zdrojov. Ak chcete použité zariadenie vrátiť, využite na to dostupné systémy zberu a recyklácie odpadu alebo požiadajte o pomoc predajcu, u ktorého ste výrobok kúpili. Ten dokáže tento výrobok bezpečne recyklovat.

SK



#### Selle toote õige kõrvaldamine.

See märgis näitab, et ELis ei tohi seda toodet käidelda koos muude majapidamisjäätmetega. Ohu vältimiseks keskkonnale või inimeste tervisele viige need vastutustundlikult ümbertötlusse, et soodustada materjalressursside taaskasutamist. Oma kasutatud seadme tagastamiseks kasutage saadavalolevaid tagastus- ja kogumissüsteeme või võtke ühendust jaemüüjaga, kellelt te toote ostsite. Müüja võib selle toote ohutult ümbertötlusse viia.

EE



#### Korrekt eliminerung af dette produkt.

Dette mærke indikerer, at dette produkt, i overensstemmelse med EU, ikke skal bortskaffes sammen med andet husholdningsaffald. For at undgå enhver risiko for miljøet eller menneskers sundhed, skal du genanvende det på ansvarlig vis og således fremme genbrug af materielle ressourcer. Hvis du ønsker at returnere din brugte enhed, skal du bruge de returnerings- og indsamlingsystemer, der er tilgængelige, eller kontakte forhandleren, hvor du købte produktet. De kan genbruge dette produkt på sikker vis.

DK





Focal-JMlab® - BP 374 - 108, rue de l'Avenir - 42353 La Talaudière cedex - France - [www.focal.com](http://www.focal.com)  
Tel. (+33) 04 77 43 57 00 - Fax (+33) 04 77 43 57 04 - SCAA-181024/2 - COD01368