

10" - 200W AlNiCo Guitar Loudspeaker

P 10/100 BB - 16 Ω

Code ZJ05402

GENERAL CHARACTERISTICS

Nominal Overall Diameter	259	mm
Nominal Voice Coil Diameter	50	mm
Magnet Weight	826	g
Flux Density.....	1.00	T
Weight.....	3.00	Kg

THIELE-SMALL PARAMETERS

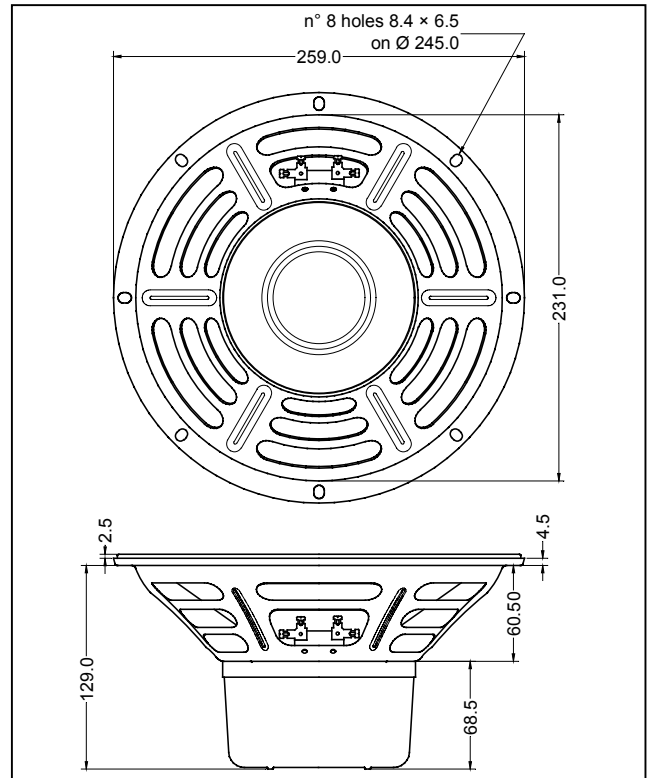
Voice Coil DC Resistance	R_E	11.61	Ω
Resonance Frequency	f_s	107.1	Hz
Mechanical Q Factor.....	Q_{MS}	15.00	
Electrical Q Factor.....	Q_{ES}	0.89	
Total Q Factor	Q_{TS}	0.84	
Mechanical Moving Mass	M_{MS}	20.9	g
Mechanical Compliance	C_{MS}	106	μm/N
Force Factor	$B \times l$	13.53	Wb/m
Equivalent Acoustic Volume.....	V_{AS}	16.3	lt.
Maximum Linear Displacement	X_{MAX}	+/-1.0	mm
Reference Efficiency	η_0	2.15	%
Diaphragm Area	S_D	330.0	cm ²
Losses Electrical Resistance.....	R_{ES}	195.2	Ω
Voice Coil Inductance @ 1kHz	L_E	1.00	mH

CONSTRUCTIVE CHARACTERISTICS

Magnet.....	AlNiCo
Voice Coil Winding.....	Aluminium
Voice Coil Former.....	Kapton
Cone	Paper
Surround.....	Paper - Integrated
Dust Dome	Non Treated Cloth
Basket	Pressed Sheet Steel

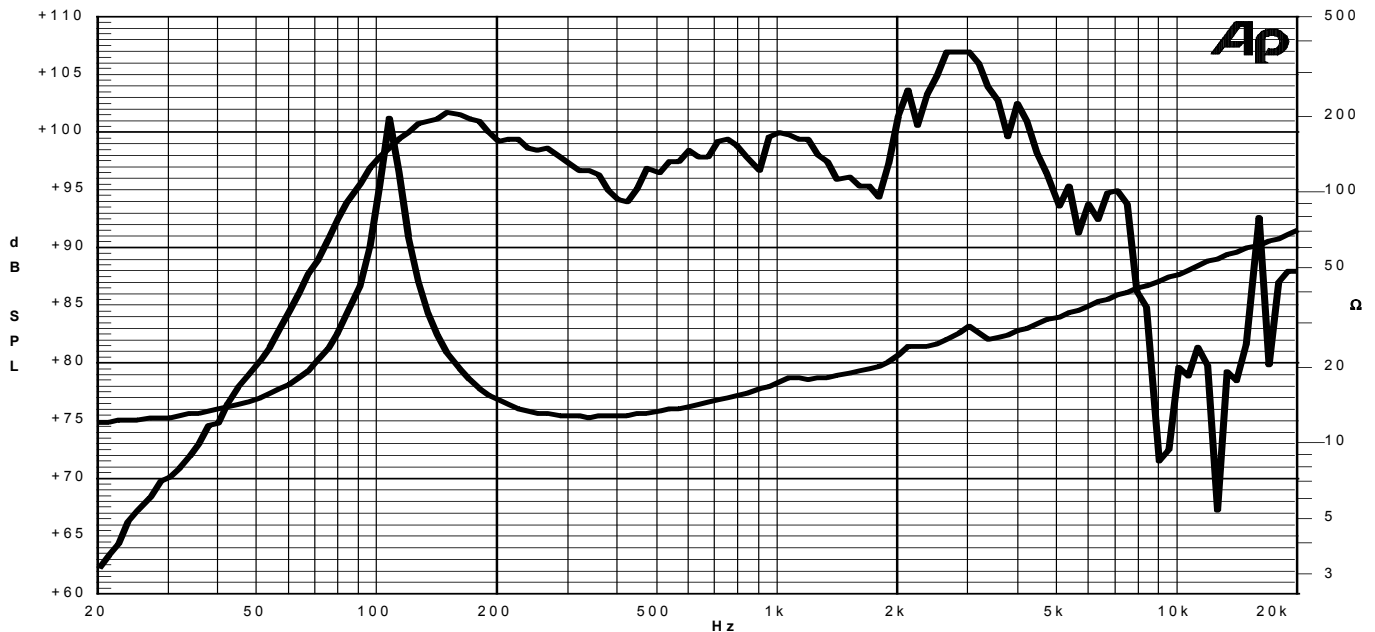
ELECTRICAL CHARACTERISTICS

Nominal Impedance.....	16	Ω
Musical Power	200	W
Rated Power*	100	W
Sensitivity @ 1 W, 1 m	96.9	dB



*rated power measured with 2 hours test with pink noise signal, 6 dB crest factor, loudspeaker mounted on enclosure
Thiele-Small parameters measured with I ASFR system

Frequency Response on IEC Baffle (DIN 45575) @ 1 W, 1 m - Impedance



Due to continuing product improvement, the features and the design are subject to change without notice.

12/11/07