

# POD PACK 1

## Box Contents

Contenido de la caja

Contenu de la boîte

Contenuti della confezione

Lieferumfang



## Assembly

Armado

Montage

Montaggio

Montage



Technical Specifications  
 Especificaciones técnicas  
 Spécifications techniques  
 Specifiche tecniche  
 Technische Daten

<b>Type</b>	Back-electret condenser microphone
<b>Polar Pattern</b>	Cardioid
<b>Frequency Response</b>	20–17000 Hz
<b>Sensitivity</b>	-34 dB $\pm$ 2 dB (0 dB = 1 V/Pa @ 1 kHz)
<b>Impedance</b>	<b>Output:</b> 100 $\Omega$ $\pm$ 30% (@ 1 kHz) <b>Load:</b> $\geq$ 1000 $\Omega$
<b>Self-Noise</b>	16 dBA
<b>Maximum SPL</b>	132 dB (THD $\leq$ 1%, 1 kHz)
<b>Signal-to-Noise Ratio</b>	78 dB
<b>Power</b>	USB
<b>Dimensions</b>	<b>Microphone</b> (length x diameter): 6.69" x 2.09" / 170 x 53 mm <b>Stand</b> (telescoping range): 15.7–27.6" / 40–70 cm
<b>Weight</b>	<b>Microphone:</b> 0.59 lbs. / 0.27 kg <b>Stand</b> (without base clamp): 0.84 lbs. / 0.38 kg

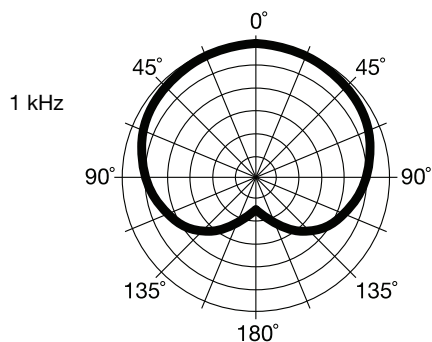
**Polar Pattern**

Patrón polar

Diagramme polaire

Figura polare

Polardiagramm



**Frequency Response**

Respuesta en frecuencia

Réponse en fréquence

Risposta di frequenza

Frequenzgang

