

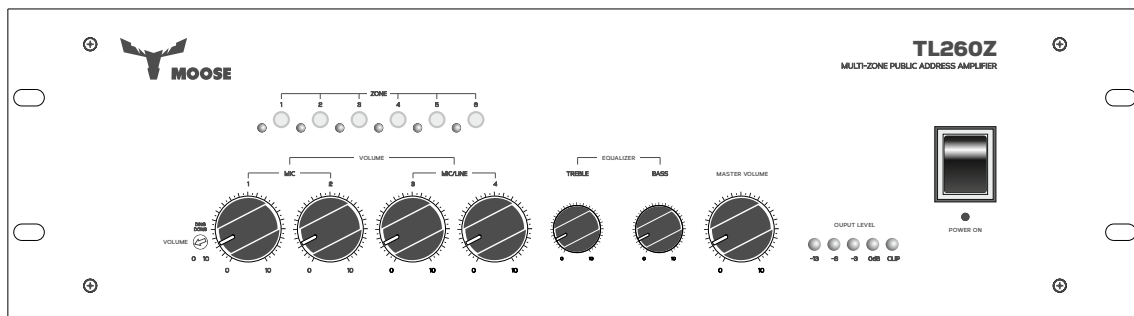
MOOSE

www.moesound.com

PROUDLY DEVELOPED AND
MANUFACTURED IN PORTUGAL

TL260Z

Multi-zone PA mixer/amplifier
6 independent zones



USER'S MANUAL

Introduction

Dear customer,

Thank for choosing MOOSE branded products!

MOOSE is a brand of professional audio & lighting products, proudly developed and manufactured in PORTUGAL.

In order to operate this product in a safe and reliable manner, please follow the instructions in this booklet and before operating the equipment read the instructions carefully and please note the technical information.

Our products undergo very rigorous testing under strict conditions and they are monitored continuously during the manufacturing process. In order to guarantee the product function and safety, the original parts of the manufacturer's design must be used. If any parts other than those of the manufacturer are used, or the product is modified in any way, the user forfeits all warranty rights to claim.

Caution

1. Before connecting the equipment to the power outlet, first verify that the mains voltage and frequency match the values specified on the equipment.
2. If the power cord of the device is equipped with an earthing contact, then it must be connected to an outlet with a protective ground. Never deactivate the protective ground of a power cord.
3. Unplug the power cord and power adapter from the power outlet if there is a risk of a lightning strike or before extended periods of disuse.
4. Replace fuses only with fuses of the same type and rating. If a fuse blows repeatedly, please contact an authorised service company.
5. Do not open or modify this equipment.
6. After connecting the equipment, check all cables in order to prevent damage or accidents, e.g., due to tripping hazards.
7. Do not turn on the Amplifier ON before checking that all volumes to zero .

IMPORTANT: Never remove the cover, because otherwise there may be a risk of electric shock. There are no user serviceable parts inside. Have repairs carried out only by qualified service personnel.



The lightning flash with arrowhead symbol within an equilateral triangle is intended to alert the user to the presence of uninsulated "dangerous voltage" within the product's enclosure that may be of sufficient magnitude to constitute a risk of electrical shock.



The exclamation mark within an equilateral triangle is intended to alert the user to the presence of important operating and maintenance instructions.



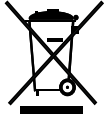
To prevent electrical shock do not remove the cover. No user serviceable parts inside. Refer service to qualified personnel only.

The amplifier is marked with this instruction so please proceed accordingly in order to avoid any hazard.

Manufacturers Declaration

PROPER DISPOSAL OF THIS PRODUCT

(Valid in the European Union and other European countries with waste separation)



This symbol on the product, or the documents accompanying the product, indicates that this appliance may not be treated as household waste. This is to avoid environmental damage or personal injury due to uncontrolled waste disposal. Please dispose of this product separately from other waste and have it recycled to promote sustainable economic activity.

Household users should contact either the retailer where they purchased this product, or their local government office, for details on where and how they can recycle this item in an environmentally friendly manner.

Business users should contact their supplier and check the terms and conditions of the purchase contract. This product should not be mixed with other commercial wastes for disposal .

ENVIRONMENTAL PROTECTION AND ENERGY CONSERVATION

Energy conservation is an active contribution to environmental protection. Please turn off all unneeded electrical devices. To prevent unneeded devices from consuming power in standby mode, disconnect the mains plug.

EC DECLARATION OF CONFORMITY

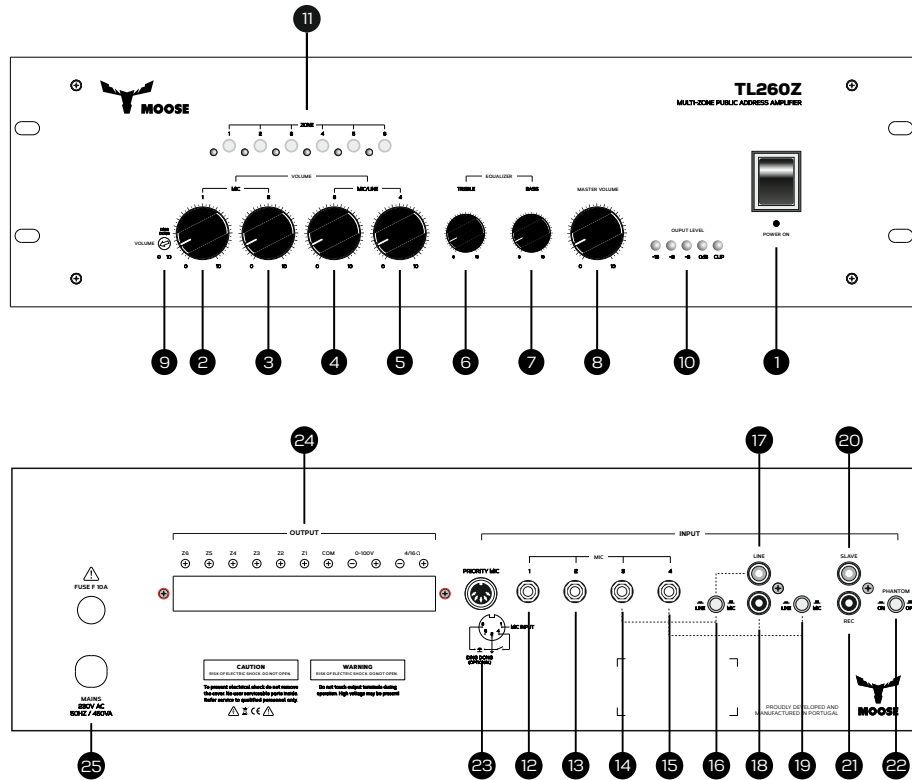
The equipment marketed by MOOSE complies (where applicable) with the essential requirements and other relevant specifications of Directives 1999/5/EC (R&TTE), 2004/108/EC (EMC) und 2006/95/EC (LVD). Additional information can be requested to info@profactor.pt.



PROUDLY DEVELOPED AND MANUFACTURED IN PORTUGAL

Connections and Controls

Please refer to the following scheme and instructions:



1. **POWER ON:** Illuminated on/off switch. Before switching the system on, always adjust the volume to zero.
2. **VOLUME 1:** Channel 1 Volume Control.
3. **VOLUME 2:** Channel 2 Volume Control.
4. **VOLUME 3:** Channel 3 Volume Control.
5. **VOLUME 4:** Channel 4 Volume Control.
6. **TREBLE:** Master tone equalizer control - Treble.
7. **BASS:** Master tone equalizer control - Bass.
8. **MASTER:** Master Volume Control; Main volume adjustment. Sets the relative level of input signal.
9. **DING DONG:** This Trimmer allows you control Ding Dong's volume.
10. **VUIMETER:** Those LED indicate output signal level;
11. **ZONES:** These push buttons allows connect and disconnect all 6 independent zones;
12. **MIC1:** Channel 1 microphone input socket - Jack ¼".
13. **MIC2:** Channel 2 microphone input socket - Jack ¼".
14. **MIC3:** Channel 3 microphone input socket - Jack ¼".

Connections and Controls

- 15. MIC4:** Channel 4 microphone input socket – Jack ¼”.
- 16. MIC3 / LINE3:** This switch allows you to choose between MIC3 or LINE3 Input. You can adjust Volume with VOLUME3 Pot (4).
- 17. LINE 3:** Signal Input to connect a CD Player or an AM/FM Transmitter (Radio).
- 18. LINE 4:** Signal Input to connect a CD Player or an AM/FM Transmitter (Radio).
- 19. MIC4 / LINE4:** This switch allows you to choose between MIC4 or LINE4 Input. You can adjust volume through front panel volume pot (5).
- 20. SLAVE:** Signal output in RCA for connection of another device such as an amplifier.
- 21. REC:** Signal output in RCA for connections of a recorder device.
- 22. PHANTOM:** This switch allows you to connect/disconnect Phantom Power supply.
- 23. PRIORITY MIC:** Input Socket for connection of a Priority Mic.
- 24. OUTPUT:** 100V Line transformer and 4-16Ohm terminal outputs for Speakers – respect polarity and please refer to the connection diagram presented on this manual to ensure that all connections are made correctly.
- 25. MAINS IN:** Power socket with fuse holder, AC 230V – 50~60Hz. Replace the fuse only with a fuse of the same type and rating. If the fuse blows repeatedly, please contact an authorised service company.

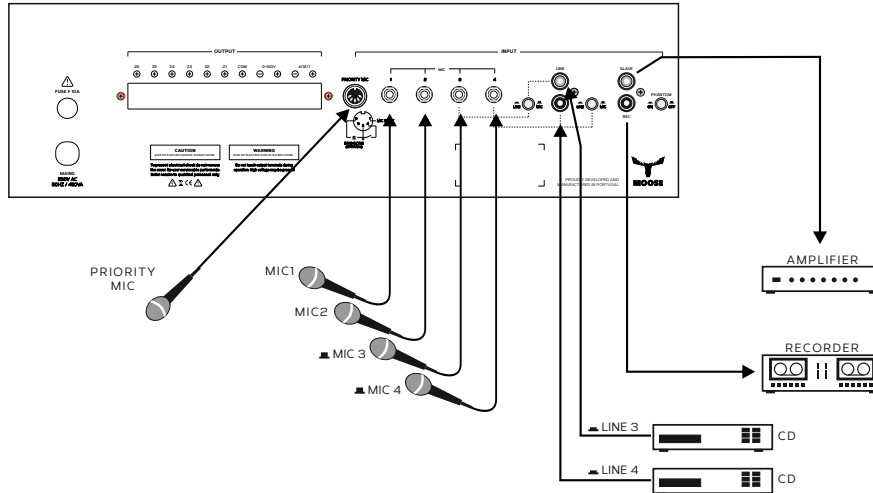
Connecting procedures

In order to ensure the right procedure, please follow as described:

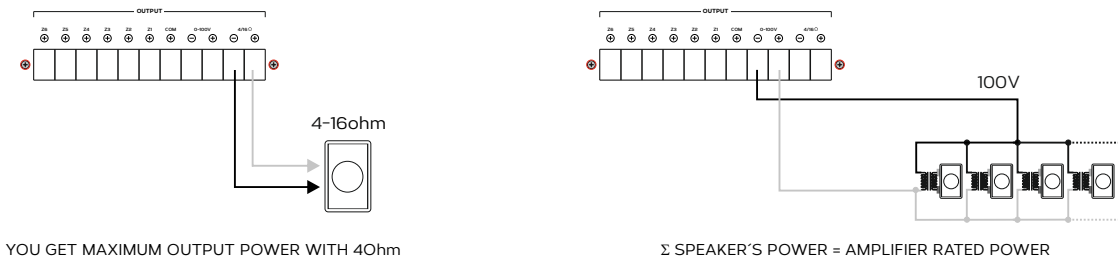
- 1 -** Verify that all Volume Control Pots (2 - 8) are at their minimum value (0);
- 2 -** Connect the Mains Supply Cable (25);
- 3 -** Connect all signal sources and devices that will be working with TL260Z to their respective Inputs just like connection diagram below;
- 4 -** Connect the Speakers. If you have Low Impedance Speakers then you must connect them to Terminals (9). The speakers to be used in the installation must have 100V Line Transformer, always respecting polarity;
- 5 -** Connect the Amplifier applying on the On/Off Power Switch (1);
- 6 -** Adjust Volumes;

Your Amplifier is ready to start working. If something wrong occurs you must turn off the Amplifier and verify all connections and steps again.

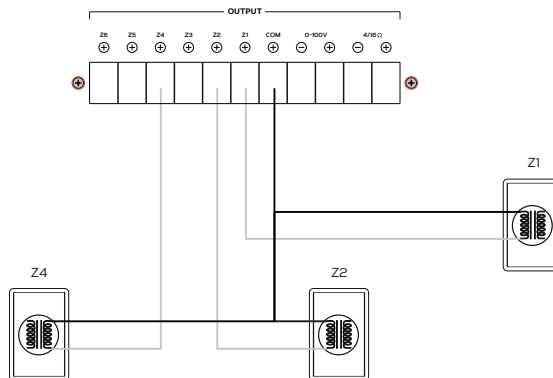
Connection diagram



WITHOUT ZONES:



INDEPENDENT ZONES connection (100V):

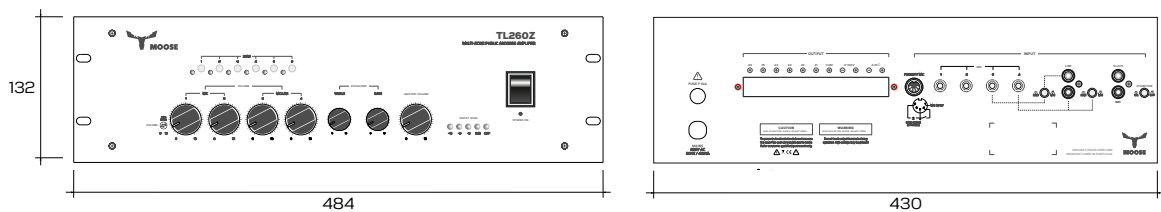


IN ORDER TO HAVE THE TL260Z WORKING WITH DIFFERENT ZONES YOU JUST HAVE TO CONNECT COMMON terminal marked with "COM" AND THE RESPECTIVE ZONE TERMINAL TO THE SPEAKER (+)

Technical specifications

MODEL	TL260Z
TYPE	Public address mixer-amplifier
POWER OUTPUT (RMS)	260W
FREQUENCY RANGE	50Hz - 15kHz
T.H.D. (20Hz - 20kHz)	< 1% @ 1kHz
S/N RATIO	> 90dB @ 1kHz
ZONES	6 zones
CONTROLS	Bass, Treble and Master, Volume for MIC/LINE in
INDICATORS	Power on, Signal and Clip, Active zone
INPUTS	Microphone and Line in
OUTPUTS	Low impedance 4-16Ohm, High impedance 100V
CONNECTORS	Input in 6.3mm Jack, RCA line, output: touch-proof binding post
PHANTOM POWER	+48V DC
OTHER FEATURES	Independent zone control, Ding-dong, MIC/LINE switch
PROTECTIONS	Short circuit, DC protection
OPERATING VOLTAGE	230V AC (factory config.), 50-60Hz
POWER CONSUMPTION	260VA
COOLING	Continuously speed fan, 120mm / 230V AC
DIMENSIONS (WxDxH)	3RU space, 420mm depth
WEIGHT	16Kg

Dimensions



Unit: mm (millimeters)

PROUDLY DEVELOPED AND
MANUFACTURED IN PORTUGAL

MOOSE is a brand of PROFACTOR S.A.

PROFACTOR S.A

Rua do Padrão 52
4440-617 Valongo
PORTUGAL
Telf.: +351 224 119 160
Fax: +351 224 155 822
info@profactor.pt

MOOSE



www.moose-sound.com