

With the **Mlytic® Audio Grade** series we are extending our range of products to a series especially conceived for applications within the pre-amplifiers or small power amplifiers. The assemblage always refers to snap-in models for assembly boards.

Throughout its development, importance was placed upon attaining low ESR and ESL values, as well as a low inner-sound development.

Specifications:

- Long lifespan
- All contacts welded
- Compact size

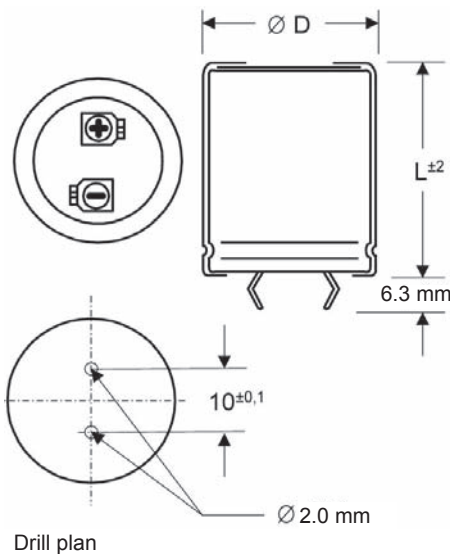
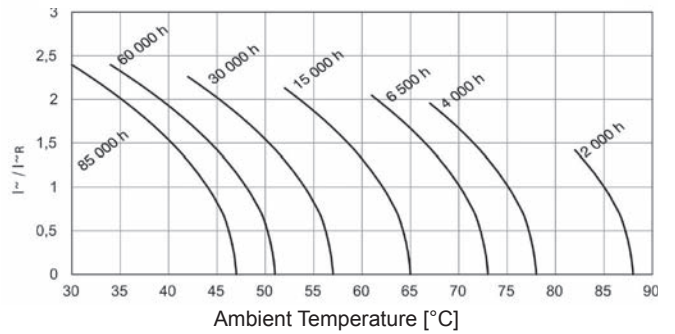
Technical specifications:

Temperature range: -40°C... +85°C
 Max. reverse voltage: 2V
 Leakage current 5 min. @ U_R : $0.007 * C [\mu F] * U [V] + 6mA$
 Leakage current 1 h @ U_R : $0.15 * \text{leakage current 5 min} @ U_R$
 Specs.: DIN 41332 IEC 384 - 4
 Insulation: Heat shrinkable tubing test voltage³ 2 500 VAC
 Terminals: Snap In



Useful Life

as a function of ambient temperature and ripple current



MLS63 (formerly MLSi50)

Electrolytic capacitors, 63 VDC, audio grade
ESR@100

Capacity [μF] ±20%	Hz (typ.) [mOhm]	ESL [nH]	Body Ø * H [mm]	[€]
2 200	55	10	25 * 30	7.99
3 300	41	10	30 * 30	9.99
4 700	32	10	30 * 40	11.90
6 800	25	10	30 * 40	13.90
10 000	20	10	30 * 50	16.90
22 000	11	10	40 * 80	29.90

MLS40 (formerly MLSi35)

Electrolytic capacitors, 40 VDC, audio grade
ESR@100

Capacity [μF] ±20%	Hz (typ.) [mOhm]	ESL [nH]	Body Ø * H [mm]	[€]
4 700	144	10	25 * 30	8.99
6 800	68	10	30 * 30	10.90
10 000	32	10	30 * 40	12.90
15 000	18	10	30 * 50	14.90
22 000	14	10	35 * 50	17.90

MLS25

Electrolytic capacitors, 25 VDC, audio grade
ESR@100

Capacity [μF] ±20%	Hz (typ.) [mOhm]	ESL [nH]	Body Ø * H [mm]	[€]
10 000	144	10	25 * 35	9.99
15 000	68	10	30 * 35	11.90
22 000	32	10	30 * 40	13.90
33 000	18	10	30 * 50	15.90
47 000	14	10	35 * 50	18.90