

Model Number: SDS-P830878  
Product Line: Peerless Silver

Revision: Rev 1\_0  
Date: 2-Dec-10

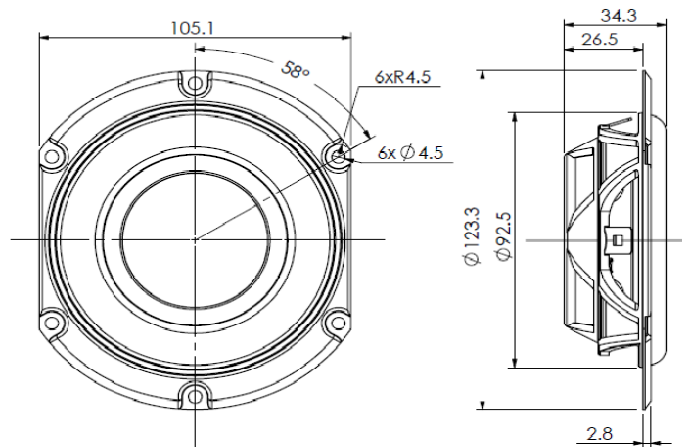


**Product Description:**

The SDS compact subwoofer family offers low resonant frequency performance, ideally suited for compact sealed enclosures. This 4 inch member of the SDS family is a passive radiator, designed to match up with SDS subwoofers, and features a coated paper cone with rubber surround, and a narrow-profile steel basket shaped to fit into narrow cabinets.



**Mechanical 2D Drawing:**



**Specifications:**

DC Resistance	$R_{evc}$	$\Omega$	N/A	Energy Bandwidth Product	EBP	$(1/Q_{es}) \cdot f_s$	N/A
Minimum Impedance	$Z_{min}$	$\Omega$	N/A	Moving Mass	$M_{ms}$	g	38.5
Voice Coil Inductance	$L_e$	mH	N/A	Suspension Compliance	$C_{ms}$	um/N	791
Resonant Frequency	$f_s$	Hz	29	Effective Cone Diameter	D	cm	8.00
Mechanical Q Factor	$Q_{ms}$	-	N/A	Effective Piston Area	$S_D$	cm <sup>2</sup>	50.2
Electrical Q Factor	$Q_{es}$	-	N/A	Equivalent Volume	$V_{as}$	L	N/A
Total Q Factor	$Q_{ts}$	-	N/A	Motor Force Factor	BL	T·m	N/A
Ratio $f_s / Q_{ts}$	F	$f_s / Q_{ts}$	N/A	Motor Efficiency Factor	$\beta$	$(T \cdot m^2) / \Omega$	N/A
Half Space Sensitivity @ 2.83V	dB@2.83V/1m	dB	N/A	±1.0 <sup>1</sup>	VC <sub>m</sub>	-	N/A
Sensitivity @ 1W/1m	1W/1m	dB	N/A	±1.0 <sup>1</sup>	VC <sub>d</sub>	mm	N/A
Rated Noise Power (IEC 2685 18.1)	P	W	N/A	Gap Height	Gh	mm	N/A
Test Spectrum Bandwidth	N/A	N/A	N/A	Maximum Linear Excursion	$X_{max}$	mm	N/A
				Ferrofluid Type	FF		N/A
				Transducer Size	-	inch	4
				Transducer Mass	-	Kg	0.096

1 - Piston Band Sensitivity Tolerance

**Frequency and Impedance Response:**

