

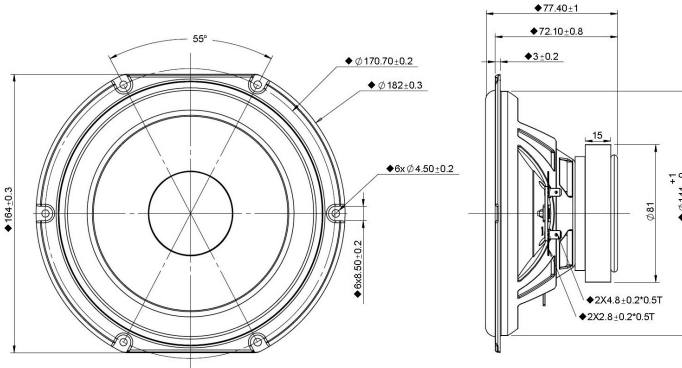
## Woofer

The SDS compact subwoofer family offers low resonant frequency performance, ideally suited for compact sealed enclosures. This 6.5 inch 8 ohm member of the SDS family offer a coated paper cone with rubber surround, a high power voice coil suspended in a ferrite magnet motor, and a narrow-profile steel basket, shaped to fit into narrow cabinets.



SDS-P830657

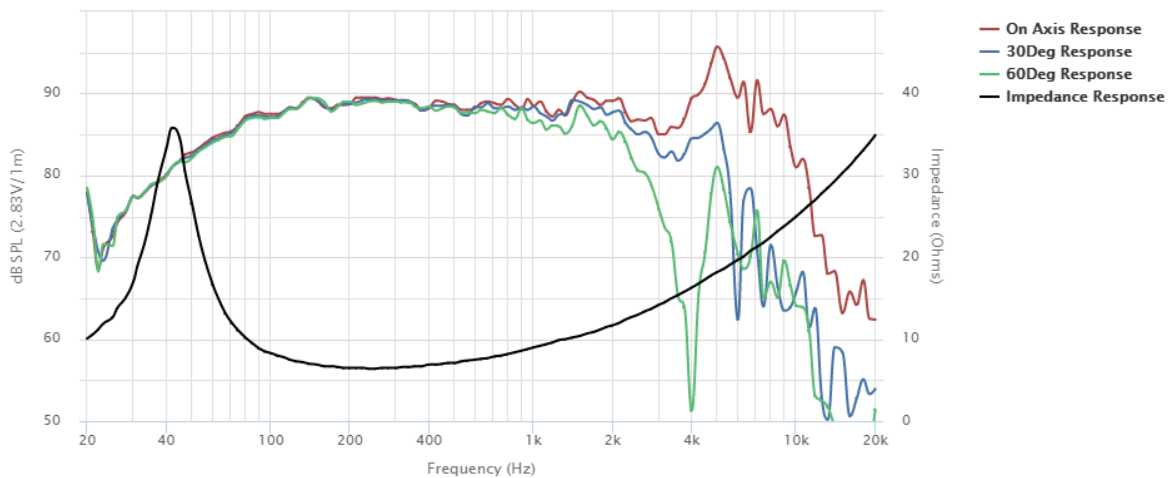
### MECHANICAL 2D DRAWING



### SPECIFICATIONS

DC Resistance	Revc	$\Omega$	6.05	$\pm 5.0\%$	Moving Mass	Mms	g	11.5
Minimum Impedance	Zmin	$\Omega$	6.44	$\pm 7.5\%$	Suspension Compliance	Cms	um/N	1101.4
Voice Coil Inductance	Le	mH	0.38	-	Effective Cone Diameter	D	cm	13.4
Resonant Frequency	fs	Hz	44.75	15%	Effective Piston Area	Sd	cm <sup>2</sup>	141
Mechanical Q Factor	Qms	-	2.74	-	Equivalent Volume	Vas	L	30.77
Electrical Q Factor	Qes	-	0.55	-	Motor Force Factor	BL	T•m	5.98
Total Q Factor	Qts	-	0.46	-	Motor Efficiency Factor	$\beta$	(T•m <sup>2</sup> )/ $\Omega$	5.9
Ratio	fs/Qts	-	98.35	-	Voice Coil Former Material	VCfm	-	ASV
Half Space Sensitivity	dB@2.83V/1m	dB	89.46	$\pm 1.01$	Voice Coil Inner Diameter	VCd	mm	25.73
Sensitivity	1W/1m	dB	88.5	$\pm 1.01$	Gap Height	Gh	mm	6
Rated Noise Power (IEC 268-5 18.1)	P	W	60	-	Maximum Linear Excursion	Xmax	mm	3.5
Test Spectrum Bandwidth		12 dB/Oct	40Hz - 4kHz	-	Ferrofluid Type	FF	-	-
Energy Bandwidth Product	EBP	(1/Qes)•fs	-	-	Transducer Size	-	-	6 in
					Transducer Mass	-	Kg	0.84

### FREQUENCY & IMPEDANCE RESPONSE



Highcharts.com