

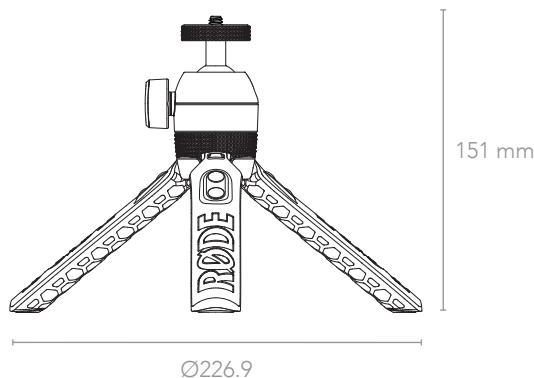
# TRIPOD 2

CAMERA AND ACCESSORY MOUNT

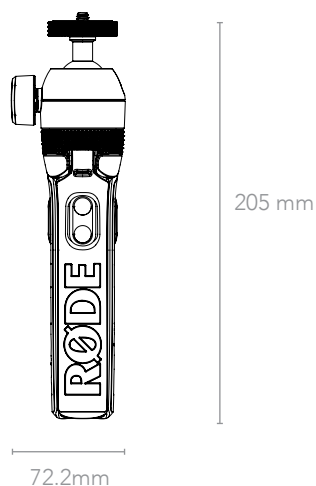


The Tripod 2 is a sturdy three-position tripod for mounting cameras, microphones and other accessories. In the closed position, it is perfect for handheld use. The tripod legs can also be opened out to a mid or wide setting for optimal positioning and stability. The Tripod 2 has a 1/4" thread for attaching cameras and camera accessories, and also includes a 1/4" to 3/8" thread adaptor for use with microphones. There are also six 1/4" female thread connectors — two on each tripod leg — for mounting accessories onto the side.

Wide setting 52°



Closed view



## MECHANICAL SPECIFICATIONS

Material:	Plastic
Colour:	Black
Weight (grams):	200
Product Dimensions (millimetres):	Closed: Height: 205 Width: 57  Extended: Height: 151 Diameter: 229
Compatible RØDE Products:	<ul style="list-style-type: none"><li>• DCS-1</li><li>• NT-USB Mini</li><li>• VideoMic NTG</li><li>• NTG5</li><li>• NTG4+</li><li>• NTG3</li><li>• NTG2</li><li>• NTG1</li><li>• PodMic</li><li>• M1</li><li>• M2</li><li>• M3</li></ul>
Support Weight (kilograms):	Up to 2Kg (when the head is at a 90-degree angle and the Tripod 2 is fully extended)