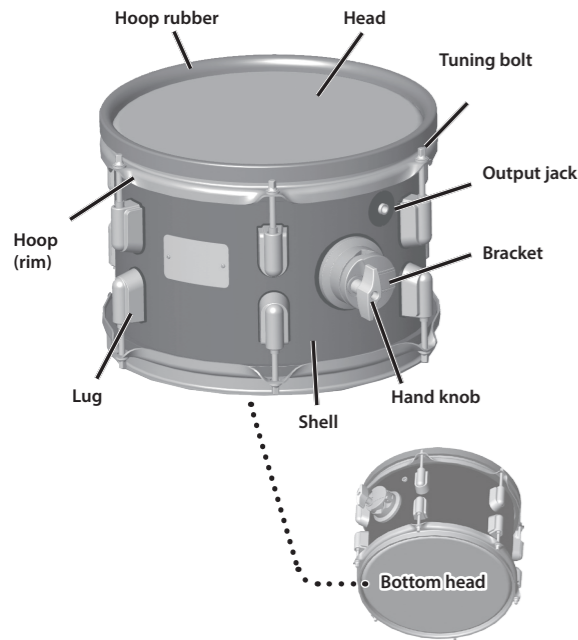


## Names of Parts



\* The illustration shows the PDA100.

### PDA140F only

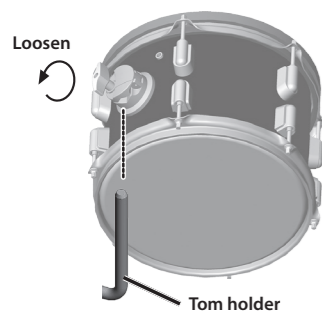


### NOTE

Due to the characteristics of the materials used in the sensor, the strike feel of the head and the sensitivity of the sensor may be affected by changes in temperature and humidity.

## Mounting on a Stand

### PDA120, PDA100 only



Allowable diameter of mounting rod: 9–13 mm (3/8–9/16 inches)

### Precautions regarding placement of this unit on a stand

Be sure to follow the instructions in the Owner's Manual carefully when placing this unit on a stand.

If it is not set up properly, you risk creating an unstable situation which could lead to the unit falling or the stand toppling, and may result in injury.

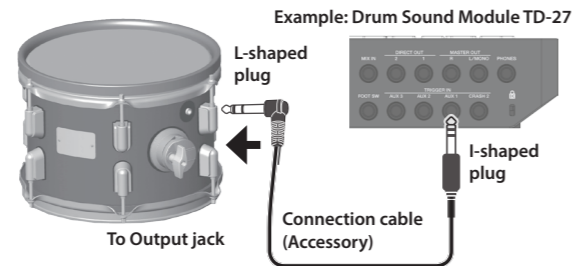


## Connecting to the Drum Sound Module

Using the included connection cable (stereo cable) or the dedicated connection cable included with your drum sound module, attach the pad to your drum sound module. Connect the L-shaped plug of the connection cable to the pad's output jack.

Using a mono cable will NOT allow rim shots.

\* To prevent malfunction and equipment failure, always turn down the volume, and turn off all the units before making any connections.



## Recommended Parameter Settings

These are the recommended setting values for the trigger parameters when using the PDA140F, PDA120, or PDA100 with your drum sound module.

Choose these if "PDA140F/PDA120/PDA100" is one of the choices for "PAD TYPE" or "TRIG TYPE" on your drum sound module. If "PDA140F/PDA120/PDA100" is not one of the choices, then refer to the support information on the Roland website.

[http://roland.cm/trigger\\_prm](http://roland.cm/trigger_prm)



You might need to adjust the trigger parameters depending on the conditions of use, such as the mounting method or the position of the PDA140F, PDA120, or PDA100. For details on these settings, refer to the owner's manual of your drum sound module.

## Adjusting the Head Tension

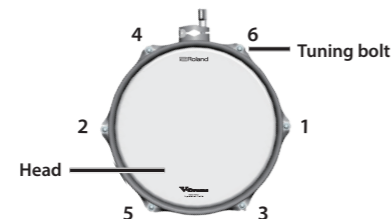
Before playing, you must adjust the pad tension first. If the head is too loose, the sensor might not work correctly, or the sensor might be damaged. For stable operation, adjust the head tension slightly tighter than the strike feel of a typical acoustic drum.

### NOTE

To avoid faulty operation, observe the following points.

- Adjust the head evenly so that it does not sag.
- Adjust the tuning bolts so that they are not loose.
- It is not necessary to adjust the tension of the bottom head.

1. Adjust each tuning bolt little by little, across the head as indicated in the illustration.



### NOTE

Fully tightening a tuning bolt at only a single location produces uneven tensioning, and correct playing dynamics may not be achieved or may even cause malfunctions. Even tuning/tensioning is very important.

2. Adjust the tightness of each tuning bolt so that the head is tensioned evenly.

### MEMO

- Head tension will not affect the actual tuning of the sound you are playing. For that you need to adjust sound parameters in the drum sound module you are using. For details, refer to the owner's manual of your drum sound module.
- Also, head tension may change depending on usage. Adjust as needed.

## Replacing the Head or Hoop Rubber

The performance of the head and/or hoop rubber will diminish with use over time. If the head is torn or becomes too fatigued, or impossible to tension correctly, then it should be replaced. If the hoop rubber is worn out, it too can be replaced.

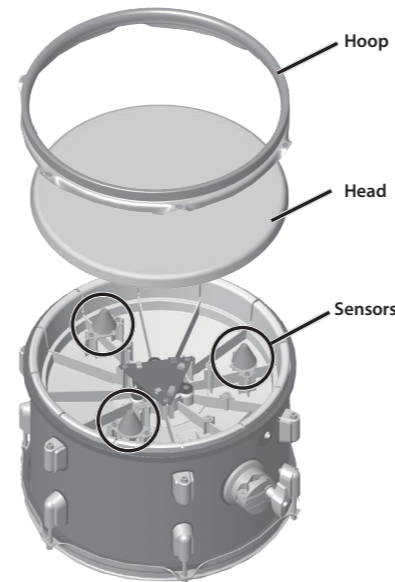
For replacement heads or to have the hoop rubber replaced, please contact your dealer or a Roland service center.

## Replacing the Head

### NOTE

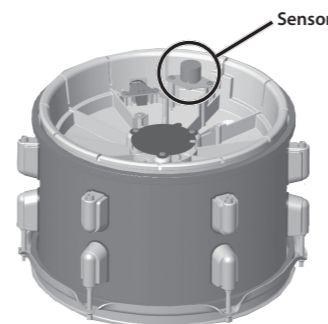
- Applying excessive force to the sensors located under the head can damage them and/or interfere with accurate triggering.
- It is not necessary to replace the bottom head.

### PDA140F, PDA120



\* The illustration shows the PDA120.

### PDA100



1. Remove all tuning bolts.

Go around and loosen each bolt a little at a time by turning it counter-clockwise.

2. Remove the hoop and old head.

\* Take care not to touch the sensor with your hand.

3. Place the new head and hoop on the shell.

4. Install all six tuning bolts.

5. Adjust the tension of the head.

## About the natural markings on this product

The shells used on this product are manufactured to accentuate their natural feel and texture.

For this reason, each drum and its parts feature slightly different colorations and woodgrains (natural markings).

This shows that the product is made from real wood, and does not indicate any problems with quality.

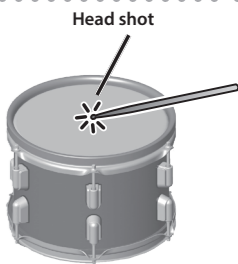
## Playing Methods

### Head shot

Hit only the head of the pad.

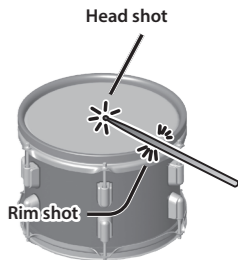
### MEMO

For details on the sounds that are supported, refer to the owner's manual of your drum sound module.



### Rim shot

Strike the head and the rim of the pad simultaneously. A sound (rim sound) different than the head shot will be heard.



## Main Specifications

Roland PDA140F, PDA120, PDA100: V-Pad

	PDA140F	PDA120	PDA100
Shell	14 (diameter) x 14 (depth) inches Wood shell	12 (diameter) x 8 (depth) inches Wood shell	10 (diameter) x 7 (depth) inches Wood shell
Head	Top: 3-ply mesh head (middle level floating structure) Bottom: 3-ply mesh head	Top: 2-ply mesh head Bottom: 2-ply mesh head	
Triggers	2 (Head, Rim)		
Connector	Output jack		
Allowable diameter of mounting rod	9–13 mm (3/8–9/16 inches)		
Dimensions	415 (W) x 430 (D) x 385 (H) mm 16-3/8 (W) x 16-15/16 (D) x 15-3/16 (H) inches (excluding legs)	345 (W) x 380 (D) x 227 (H) mm 13-5/8 (W) x 15 (D) x 8-15/16 (H) inches	295 (W) x 330 (D) x 210 (H) mm 11-5/8 (W) x 13 (D) x 8-5/16 (H) inches
Weight	6.4 kg/14 lbs 2 oz (including legs) 5.3 kg/11 lbs 11 oz (excluding legs)	3.4 kg 7 lbs 8 oz	2.9 kg 6 lbs 7 oz
Accessories	Owner's Manual, Leaflet "USING THE UNIT SAFELY," Connection cable, Drum key		

This document explains the specifications of the product at the time that the document was issued. For the latest information, refer to the Roland website.



## Roland Service Centers and Distributors

When you need repair service, access this URL and find your nearest Roland Service Center or authorized Roland distributor in your country.

<http://roland.cm/service>

