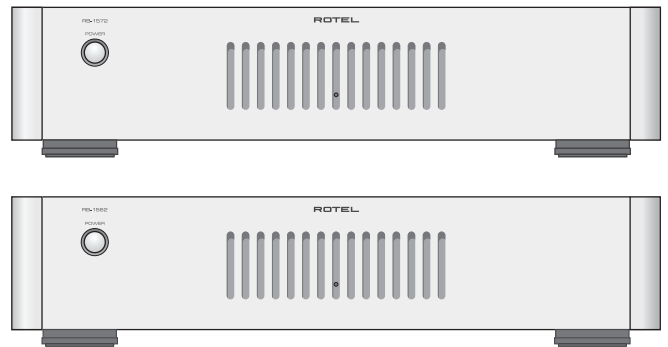




ROTEL®



RB-1562 / RB-1572

Stereo Power Amplifiers

Amplificateurs de puissance stéréophoniques

Stereo-Endstufen

Etapas de Potencia Estereofónicas

Finale di potenza stereo

Stereo Eindversterker

Stereoslutsteg

Стере усилитель мощности

Owner's Manual

Manuel d'utilisation

Bedienungsanleitung

Manual de Instrucciones

Manuale di istruzioni

Gebruiksaanwijzing

Instruktionsbok

Инструкция пользователя

Register your product at
www.Rotel.com/register

Important Safety Instructions

WARNING: There are no user serviceable parts inside. Refer all servicing to qualified service personnel.

WARNING: To reduce the risk of fire or electric shock, do not expose the unit to moisture or water. Do not expose the unit to dripping or splashing. Do not place objects filled with liquids, such as vases, on the unit. Do not allow foreign objects to get into the enclosure. If the unit is exposed to moisture, or a foreign object gets into the enclosure, immediately disconnect the power cord from the wall. Take the unit to a qualified service person for inspection and necessary repairs.

Read all the instructions before connecting or operating the component.

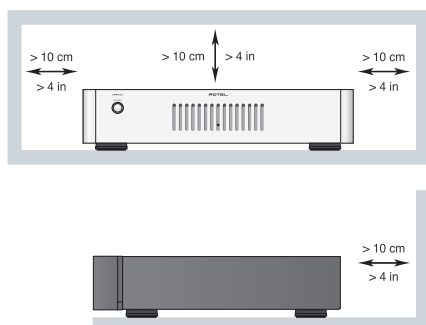
Keep this manual so you can refer to these safety instructions.

Heed all warnings and safety information in these instructions and on the product itself. Follow all operating instructions.

Clean the enclosure only with a dry cloth or a vacuum cleaner.

Do not use this unit near water.

You must allow a minimum 10 cm or 4 inches of unobstructed clearance around the unit.



Do not place the unit on a bed, sofa, rug, or similar surface that could block the ventilation openings. If the unit is placed in a bookcase or cabinet, there must be ventilation of the cabinet to allow proper cooling.

Keep the component away from radiators, heat registers, stoves, or any other appliance that produces heat.

WARNING: The rear panel power cord connector is the mains power disconnect device. The apparatus must be located in an open area that allows access to the cord connector.

The unit must be connected to a power supply only of the type and voltage specified on the rear panel. (USA: 120 V/60Hz, EC: 230V/50Hz)

Connect the component to the power outlet only with the supplied power supply cable or an exact equivalent. Do not modify the supplied cable. A polarized plug has two blades, with one wider than the other. A grounding plug has two blades plus a third grounding prong. These are provided for your safety. Do not defeat grounding and/or polarization safety provisions. If the supplied plug does not fit your outlet, please consult an electrician for replacement of the obsolete outlet. Do not use extension cords.

The main plug of the power cordset is a disconnect device of the apparatus. In order to completely disconnect the apparatus from the supply mains, the main plug of the power cordset should be unplugged from the mains (AC) outlet. The standby LED indicator will not be lit up to show the power cord is unplugged. The disconnect device shall remain readily operable.

Do not route the power cord where it will be crushed, pinched, bent, exposed to heat, or damaged in any way. Pay particular attention to the power cord at the plug and where the cord exits the back of the unit.

The power cord should be unplugged from the wall outlet during a lightning storm or if the unit is to be left unused for a long period of time.

Use only accessories specified by the manufacturer.

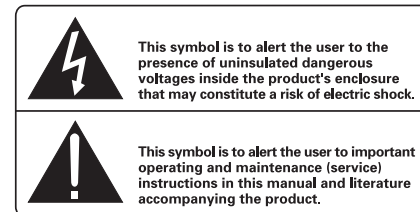
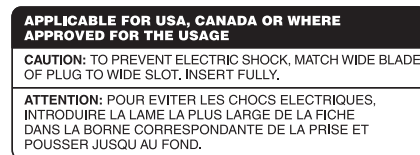
Use only with a cart, stand, rack, bracket or shelf system recommended by Rotel. Use caution when moving the unit in a stand or rack to avoid injury from a tip-over.



Use Class 2 wiring for speaker connections to ensure proper installation and minimize the risk of electrical shock.

Immediately stop using the component and have it inspected and/or serviced by a qualified service agency if:

- The power supply cord or plug has been damaged.
- Objects have fallen or liquid has been spilled into the unit.
- The unit has been exposed to rain.
- The unit shows signs of improper operation
- The unit has been dropped or damaged in any way



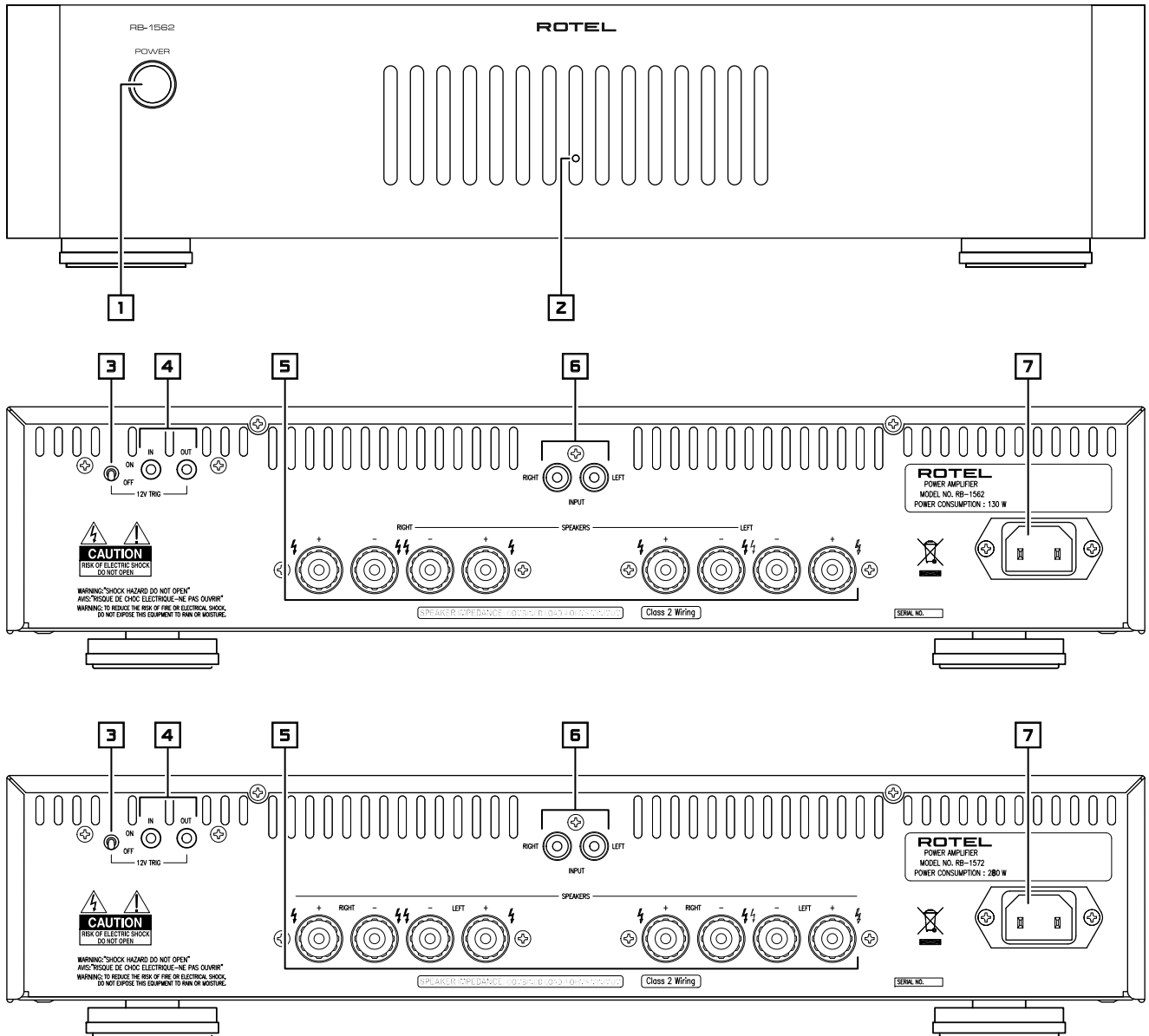
Rotel products are designed to comply with international directives on the Restriction of Hazardous Substances (RoHS) in electrical and electronic equipment and the disposal of Waste Electrical and Electronic Equipment (WEEE). The crossed wheellie bin symbol indicates compliance and that the products must be appropriately recycled or processed in accordance with these directives.



This symbol means that this unit is double insulated. An earth connection is not required.

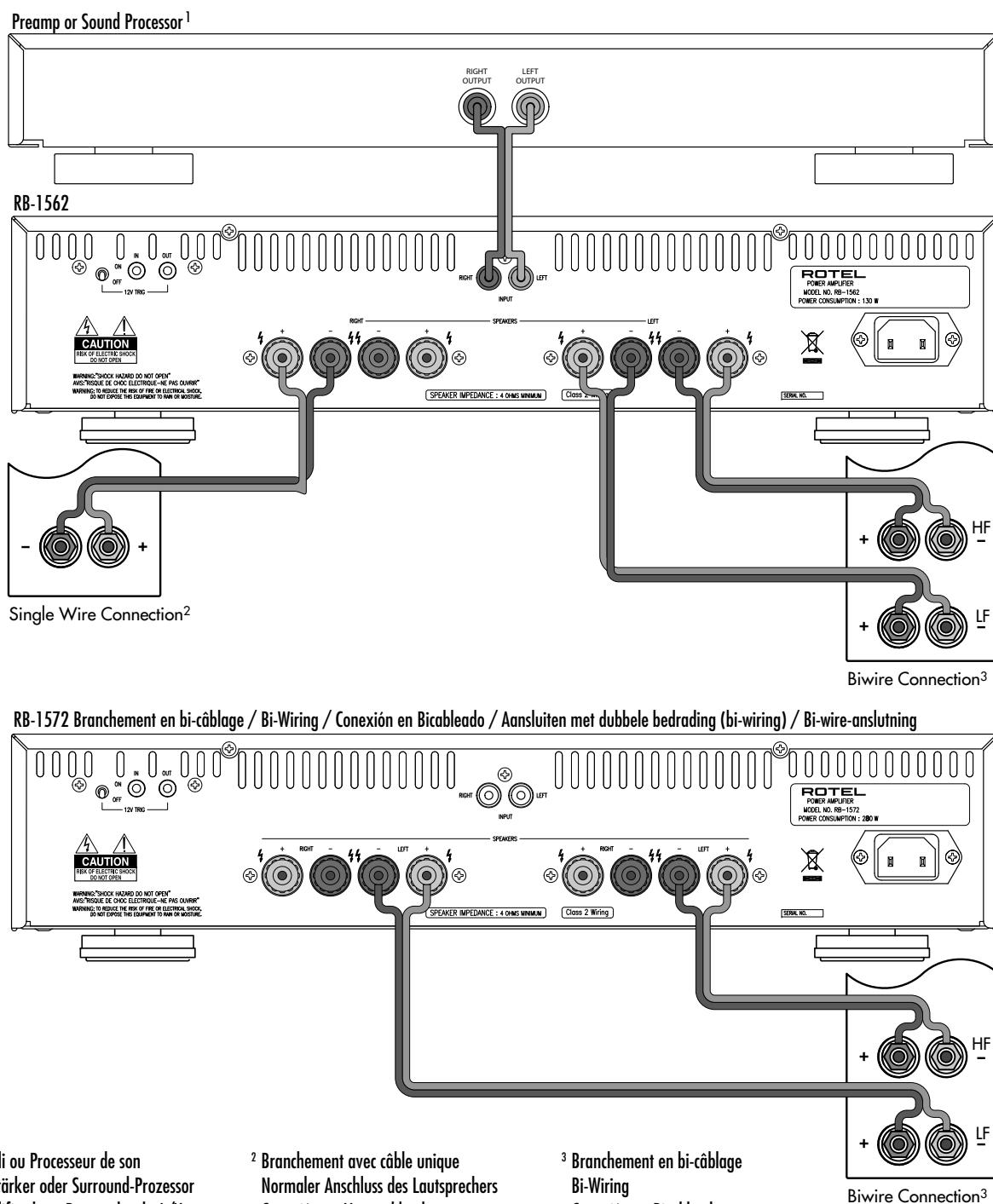


Figure 1: Controls and Connections
 Commandes et branchements
 Bedienelemente und Anschlüsse
 Controles y Conexiones
 Controlli e connessioni
 De bedieningsorganen en de aansluitingen
 Kontroller och anslutningar
 Органы управления и разъемы



Note: The Left and Right speaker output terminals of the RB-1562 and RB-1572 are in different positions.

Figure 2: Input and Output Connections
 Branchements en entrées et sorties
 Anschlussdiagramm
 Conexiones de Entrada y de Salida
 Collegamenti ingresso ed uscita
 De in- en uitgangsverbindingen
 In- och utgångar
 Подсоединение источников сигнала и акустических систем



¹ Préampli ou Processeur de son
 Vorverstärker oder Surround-Prozessor
 Preamplificador o Procesador de A/V
 Preamplificatore o Processore
 Voorversterker
 Förförstärkare eller ljudprocessor
 Предусилитель или звуковой процессор

² Branchement avec câble unique
 Normaler Anschluss des Lautsprechers
 Conexión en Monocableado
 Collegamento singolo
 Aansluiten middels enkele bedrading
 Single-wire-anslutning
 Подсоединение одной парой проводов

³ Branchement en bi-câblage
 Bi-Wiring
 Conexión en Bicableado
 Collegamento in Biwiring
 Aansluiten met dubbele bedrading (bi-wiring)
 Bi-wire-anslutning
 Подсоединение би-ваерингом (двумя парами)

Important Notes

When making connections be sure to:

- ✓ Turn off **all** the components in the system **before** hooking up **any** components, including loudspeakers.
- ✓ Turn off **all** components in the system **before** changing **any** of the connections to the system.

It is also recommended that you:

- ✓ Turn the volume control of the amplifier all the way down **before** the amplifier is turned **on or off**.

Remarques importantes

Pendant les branchements, assurez-vous que :

- ✓ **Tous** les maillons sont éteints **avant** leur branchement, **quels qu'ils soient**, y compris les enceintes acoustiques.
- ✓ Éteignez **tous** les maillons **avant** de modifier **quoi que ce soit** au niveau de leurs branchements, quels qu'ils soient.

Il est également recommandé de :

- ✓ Toujours baissez le niveau sonore via le contrôle de volume, **avant d'allumer ou d'éteindre** l'amplificateur.

Wichtige Hinweise

Achten Sie beim Herstellen der Verbindungen auf Folgendes:

- ✓ Schalten Sie **alle** Komponenten im System ab, **bevor** Sie Geräte (einschließlich Lautsprecher) anschließen.
- ✓ Schalten Sie **alle** Komponenten im System ab, **bevor** Sie Anschlüsse im System verändern.

Ferner empfehlen wir, dass

- ✓ Sie die Lautstärke herunterdrehen, **bevor** Sie die Endstufe **ein-** oder **abschalten**.

Notas Importantes

Cuando realice las conexiones, asegúrese de que:

- ✓ Desactiva **todos** los componentes del equipo, cajas acústicas incluidas, **antes** de conectar **cualquier nuevo componente** en el mismo.
- ✓ Desactiva **todos** los componentes del equipo **antes** de cambiar **cualquier conexión del mismo**.

También le recomendamos que:

- ✓ Reduzca el nivel de volumen de su amplificador a cero **antes** de **activarlo o desactivarlo**.

Note importanti

Quando effettuate i collegamenti assicuratevi di:

- ✓ Spegnere **tutti** i componenti del sistema **prima** di collegare **qualsiasi** componente, inclusi i diffusori.
- ✓ Spegnere **tutti** i componenti del sistema **prima** di modificare **qualsiasi** connessione nel sistema.

Vi raccomandiamo inoltre di:

- ✓ Portare il volume a zero **prima** di **accendere o spegnere** l'amplificatore.

Héél belangrijk:

- ✓ Zorg dat niet alleen de RB-1562/1572, maar de **gehele** installatie uitstaat, als nog niet **alle** verbindingen gemaakt zijn.
- ✓ Zorg dat niet alleen de RB-1562/1572, maar de **gehele** installatie ook uitstaat, **als** u verbindingen gaat **wijzigen**.

Wij raden u ook aan om

- ✓ de volumeregelaar van de voorversterker geheel dicht te draaien (volkomen naar links) **wanneer** u uw eindversterker **aan- of uitzet**.

Viktigt

Tänk på följande när du gör anslutningar:

- ✓ Stäng av **alla** apparater i anläggningen **innan** du ansluter nya apparater eller högtalare.
- ✓ Stäng av **alla** apparater i anläggningen **innan** du ändrar någon anslutning.

Vi rekommenderar också att du:

- ✓ Vrider ner volymen på förförstärkaren helt och hållet **innan** förstärkaren slås **på eller av**.

Перед подсоединением:

- ✓ Выключите **все** компоненты, включая колонки.
- ✓ Выключите **все** компоненты в вашей системе, прежде чем что-то в ней **менять**.

Рекомендуется также:

- ✓ Вывести громкость усилителя на **минимум**, перед тем как **включать или выключать** его.

Contents

Important Safety Instructions	2
Figure 1: Controls and Connections	3
Figure 2: Input and Output Connections	4
Important Notes	5
About Rotel	6
A Word About Watts	6
Getting Started	7
Operating Features	7
A Few Precautions	7
Placement	7
AC Power and Control	7
AC Power Input 7	7
Power Switch and Indicator 1	7
Protection Indicator 2	7
Turn On/Off Mode Selector 3	8
+12V Trigger Input and Output 4	8
Input Signal Connections 5	8
Speaker Connections	8
Speaker Selection	8
Speaker Wire Selection	8
Polarity and Phasing	8
Speaker Wire Connections 5	8
Troubleshooting	9
Front Panel Power Indicator Is Not Lit	9
No Sound	9
Protection Indicator Is Lit	9
Specifications	9

About Rotel

Our story began nearly 50 years ago. Over the decades, we have received hundreds of awards for our products and satisfied hundreds of thousands of people who take their entertainment seriously - like you!

Rotel was founded by a family whose passionate interest in music led them to manufacture high-fidelity components of uncompromising quality. Through the years, that passion has remained undiminished and the family goal of providing exceptional value for audiophiles and music lovers, regardless of their budget, is shared by all Rotel employees.

Rotel's engineers work as a close team, listening to, and fine tuning, each new product until it reaches their exacting musical standards. They are free to choose components from around the world in order to make that product the best they can. You are likely to find capacitors from the United Kingdom and Germany, semiconductors from Japan or the United States, while toroidal power transformers are manufactured in Rotel's own factory.

We all have concerns about our environment. And, as more and more electronics are produced and later discarded, it is especially important for a manufacturer to do all it can to engineer products that have a minimum negative impact on landfill sites and water tables.

At Rotel, we are proud to do our part. We have reduced the lead content in our electronics by using special ROHS solder, while our new Class D (not digital) amplifiers are up to five times more efficient than our legacy designs and still deliver power and performance. These products run cool, give minimum wasted energy, are good for the environment and give better sound too.

Finally, we have printed this brochure on recycled paper stock.

While we understand that these are small first steps, they are still important ones. And we continue to pursue new methods and materials for a cleaner and greener manufacturing process.

All of us at Rotel thank you for buying this product. We are sure it will bring you many years of enjoyment.

A Word About Watts

The power output of the RB-1562 and RB-1572 are quoted as 100 and 250 watts, respectively, for each channel, when both channels are operating together at full power.

Rotel has chosen to specify the power output in this way because, in Rotel's experience, it gives the truest value of the receiver or amplifier's power capability.

When comparing specifications for different products, you should be aware that power output is often specified in other ways, so you may not be comparing like with like.

For example, the power output may be quoted with only one channel operating, giving a higher maximum figure. The highly regulated power supplies of the Rotel Class D amplifiers ensures that they will produce the full specified power output to one or all channels.

A loudspeaker's impedance rating indicates the electrical resistance or load it offers when connected to the amplifier, usually 8 ohms or 4 ohms. The lower the impedance, the more power the speaker will need. In effect, a 4 ohm speaker will require twice as much power as an 8 ohm speaker.

So ideally, the amplifier should be give double the power into a 4 ohm load – a rating of 100 watts into an 8 ohm load should become 200 watts into 4 ohms. Using lower impedance speakers makes greater demands on the amplifier's power supply, because it will be drawing more current and giving off more heat.

However, Rotel amplifiers are designed to work into any speaker impedance between 8 and 4 ohms, and with all the channels working up to their full power. Because the Rotel design is optimized for use with all channels operating together, Rotel is able to specify the true power output for both channels.

This can be important for your enjoyment, too. When watching movies, it's nice to have the amplifier able to reproduce full power into all the channels at the same time, especially in the case of a volcano exploding!

Getting Started

Thank you for purchasing the Rotel RB-1562 or RB-1572 Stereo Power Amplifier. When used in a high-quality music or home theater system, your Rotel amplifier will provide years of musical enjoyment.

The RB-1562 and RB-1572 are sophisticated two-channel power amplifiers. Their Class D amplifier circuitry, switching power supply, premium components, and Rotel's Balanced Design ensure superb sound quality. High current capability allows the RB-1562 and RB-1572 to drive difficult speaker loads with ease.

The RB-1562 and RB-1572 are essentially identical units. They differ only in power output. In this manual the RB-1562 is most often depicted, but the RB-1572 operates in the same way.

Operating Features

- Two amplifier channels.
- User selectable power on/off configuration: manual or controlled by remote 12 volt trigger signal.
- Protection circuitry with front panel indicators.
- Dual binding post speaker outputs.

A Few Precautions

Please read this manual carefully. In addition to installation and operating instructions, it provides information on various system configurations. Please contact your authorized Rotel dealer for answers to any questions you might have. In addition, all of us at Rotel welcome your questions and comments.

Save the amplifier shipping carton and packing material for future use. Shipping or moving the amplifier in anything other than the original packing material may result in severe damage to your amplifier.

Be sure to keep the original sales receipt. It is your best record of the date of purchase, which you will need in the event warranty service is ever required.

Placement

The amplifier generates heat as part of its normal operation. The heat sinks and ventilation openings in the amplifier are designed to disperse this heat. The ventilation slots in the top cover must be unobstructed. There should be 10 cm (4 inches) of clearance around the chassis, and reasonable airflow through the installation location, to prevent the amplifier from overheating. Likewise, remember the weight of the amplifier when you select an installation location. Make sure that the shelf or cabinet can support its weight.

AC Power and Control

AC Power Input **7**

The amplifier is supplied with the proper AC power cord. Use only this cord or an exact equivalent. Do not use an extension cord. A heavy duty multi-tap power outlet strip may be used, but only if it is rated to handle the current demand of the amplifier.

Be sure the Power Switch **1** on the front panel of the amplifier is turned off. Then, plug one end of the cord into the AC power connector **7** on the back panel of the amplifier. Plug the other end into an appropriate AC outlet.

Your amplifier is configured at the factory for the proper AC line voltage in the country where you purchased it (USA: 120 volts/60 Hz, Europe: 230 volts/50 Hz). The AC line configuration is noted on a label on the back panel.

Note: *Should you move your amplifier to another country, it is possible to configure your amplifier for use on a different line voltage. Do not attempt to perform this conversion yourself. Opening the enclosure of the amplifier exposes you to dangerous voltages. Consult a qualified technician or the Rotel factory service department for information.*

If you are going to be away from home for an extended period of time, it is a sensible precaution to unplug your amplifier.

Power Switch and Indicator **1**

The Power Switch is located on the front panel. To turn the amplifier on (or to activate either of the optional automatic power-on modes), push the switch in. The ring around the switch will light, indicating that the amplifier is turned on. To turn the amplifier off, push the button again and return it to the out position.

Protection Indicator **2**

Thermal protection circuits protect the amplifier against potential damage in the event of extreme or faulty operating conditions. Unlike many designs, the protection circuit of the RB-1562 and RB-1572 is independent of the audio signal and has no impact on sonic performance. Instead, the protection circuit monitors the temperature of the output devices and shuts down the amplifier if safe limits are exceeded.

In addition, the amplifiers includes over-current protection which operates only when load impedances drop too low. This protection is independent for each channel and is indicated by the front panel Protection LED.

Should a faulty condition arise, the amplifier channel at fault will stop playing and the Protection LED on the front panel will light.

If this happens, turn the amplifier off, let it cool down for several minutes, and attempt to identify and correct the problem. When you turn the amplifier back on, the protection circuit will automatically reset and the PROTECTION LED should go out.

In most cases, the protection circuitry activates because of a fault condition such as shorted speaker wires, or inadequate ventilation leading to an overheating condition. In very rare cases, highly reactive or extremely low impedance speaker loads could cause the protection circuit to engage.


Note: *The Protection Mode LED also lights when the 12V Trigger system is being used and the amplifier is in Standby mode.*

Turn On/Off Mode Selector

The amplifier can be turned on and off automatically by using its "12V Trigger" system. The Turn On/Off Mode Selector switch is used to select which method is used.

- With the switch in the OFF position, the amplifier is turned on or off manually using the front panel power switch.
- With the switch in the 12V TRIG. position, the amplifier is turned on automatically when a 12 volt trigger signal is applied to the 3.5mm Jack labeled IN. The front panel POWER SWITCH overrides this function. It must be ON for the +12V trigger to work. Turning the switch OFF cuts power to the amplifier, regardless of whether or not a trigger signal is present.

+12V Trigger Input and Output

The jack labeled IN is for connecting the 3.5mm Plug/Cable carrying a +12 volt trigger signal to turn the amplifier on and off. To use this feature the adjacent switch  must be set in the ON position (see previous section). This input accepts any control signal (AC or DC) ranging from 3 volts to 30 volts.

The jack labeled OUT is for connecting another 3.5mm plug/cable to provide a 12V trigger signal to other components. The 12V output signal is available whenever a +12 volt trigger signal is applied to the IN connector.

Input Signal Connections

See Figure 2

The RB-1562 and RB-1572 have standard unbalanced RCA-type input connectors, the type used on nearly all audio equipment. There is an RCA input for each of the two amplifier channels. These RCA inputs accept audio signals from preamplifiers or surround sound processors. Use high quality audio interconnect cables for best performance.

Speaker Connections

See Figure 2

The RB-1562 and RB-1572 have two sets of dual binding post speaker connection terminals, for each amplifier channel.

Speaker Selection

The nominal impedance of the loudspeaker(s) connected to each channel of the amplifier should be no lower than 4 ohms.

Speaker Wire Selection

Use insulated two-conductor stranded wire to connect the amplifier to the speakers. The size and quality of the wire can have an audible effect on the performance of the system. Standard speaker wire will work, but can result in lower output or diminished bass response, particularly over longer distances. In general, heavier wire will improve the sound. For best performance, you may want to consider special high-quality speaker cables. Your authorized Rotel dealer can help in the selection of appropriate cables for your system.

Polarity and Phasing

The polarity – the positive/negative orientation of the connections – for every speaker and amplifier connection must be consistent so all the speakers will be in phase. If the polarity of one connection is mistakenly reversed, bass output will be very weak and stereo imaging degraded. All wire is marked so you can identify the two conductors. There may be ribs or a stripe on the insulation of one conductor. The wire may have clear insulation with different color conductors (copper and silver). There may be polarity indications printed on the insulation. Identify the positive and negative conductors and be consistent with every speaker and amplifier connection.

Speaker Wire Connections

Note: The following text describes both binding post and banana plug connections. *DO NOT* use both connection methods in combination to connect multiple speakers.

The amplifier has two sets of color coded terminals for each amplifier channel. Having two sets of terminals for each channel makes it easy to bi-wire the speakers. The speaker terminals accept bare wire, connector lugs, or "banana" type connectors (except in the European Community countries where their use is not permitted).

Route the wires from the amplifier to the speakers. Give yourself enough slack so you can move the components to allow access to the speaker connectors.

Note: Be sure to notice the location of the LEFT and RIGHT speaker terminals and connect your LEFT and RIGHT speakers to the correct outputs. Take extra care if using two sets of wires to bi-wire your speakers.

If you are using banana plugs, connect them to the wires and then plug into the backs of the speaker connectors. When using banana plugs, the collars of the binding post terminals should be screwed in all the way (clockwise).

If you are using terminal lugs, connect them to the wires. If you are attaching bare wires directly to the speaker connectors, separate the wire conductors and strip back the insulation from the end of each conductor. Be careful not to cut into the wire strands. Unscrew (turn counterclockwise) the binding post collar. Place the connector lug around the shaft, or insert the bundled wire into the hole in the shaft. Turn the collars clockwise to clamp the connector lug or wire firmly in place.

Note: Be sure there are no loose wire strands that could touch adjacent wires or connectors.

Troubleshooting

Most difficulties in audio systems are the result of poor or wrong connections, or improper control settings. If you encounter problems, isolate the area of the difficulty, check the control settings, determine the cause of the fault and make the necessary changes. If you are unable to get sound from your amplifier, refer to the suggestions for the following conditions:

Front Panel Power Indicator Is Not Lit

No main power to the amplifier. Check AC power connections at the amplifier and the AC outlet. Check the front panel power switch. Make sure that it is set to the ON position. If using 12V trigger power-on, make sure that a trigger signal is present at rear panel 12V TRIG IN jack.

No Sound

If the amp is getting AC power, but is producing no sound, check the Protection Indicator **[Z]** on the front panel. If lit, see below. If not, check all of your connections and control settings on associated components. Make sure that your input connections and speaker connections match your system configuration.

Protection Indicator Is Lit

The front panel Protection Indicator **[Z]** will light when the amplifier protection circuits have shut off the amplifier. Typically, this occurs only when the amplifier has overheated, when there is faulty speaker wiring, or after a period of extreme use. Turn off the system and wait for the amplifier to cool. Then push the front panel power switch in and out to reset the protection devices. If the problem is not corrected or reoccurs, there is a problem with the system or the amplifier itself.

Specifications

Continuous Power Output (20-20 kHz, < 0.03%, 8 ohms)	
RB-1562	100 watts/canal
RB-1572	250 watts/canal
Total Harmonic Distortion (20Hz-20kHz, 8 ohms)	
	< 0.03 %
Intermodulation Distortion (60 Hz : 7 kHz, 4 :1)	
	< 0.03 %
Frequency Response (± 1 dB)	
RB-1562	10 Hz – 40 kHz
RB-1572	10 Hz – 80 kHz
Damping Factor (20 – 20 000 Hz, 8 ohms)	
RB-1562	200
RB-1572	400
Speaker Impedance	
	4 ohms minimum
Signal to Noise Ratio (IHF A network)	
	109 dB
Input Impedance/Sensitivity	
RB-1562	8.3 k ohms / 1.25V
RB-1572	8.3 k ohms / 1.5V
Gain	
RB-1562	27.2 dB
RB-1572	27.1 dB
Power Requirements	
U.S. Version	120 volts, 60 Hz
European Version	230 volts, 50 Hz
Power Consumption	
RB-1562	130 watts
RB-1572	280 watts
Dimensions (W x H x D)	
	431 x 99 x 339 mm
	17 x 4 x 13 ³ / ₈ ins.
Front Panel Height	
	2U / 88.1 mm / 3 ¹ / ₂ ins.
Weight (net)	
RB-1562	5.6 kg / 12.35 lbs.
RB-1572	7.8 kg / 17.2 lbs

All specifications are accurate at the time of printing.
Rotel reserves the right to make improvements without notice.

Remarques importantes concernant la sécurité

ATTENTION : Il n'y a à l'intérieur aucune pièce susceptible d'être modifiée par l'utilisateur. Adressez-vous impérativement à une personne qualifiée.

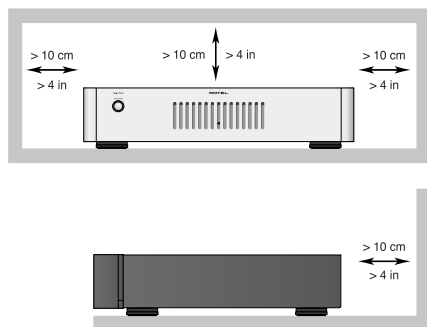
ATTENTION : Pour réduire tout risque d'électrisation ou d'incendie, ne pas exposer l'appareil à une source humide, ou à tout type de risque d'éclaboussure ou de renversement de liquide. Ne pas poser dessus d'objet contenant un liquide, comme un verre, un vase, etc. Prenez garde à ce qu'aucun objet ou liquide ne tombe à l'intérieur de l'appareil par ses orifices de ventilation. Si l'appareil est exposé à l'humidité ou si un objet tombe à l'intérieur, débranchez-le immédiatement de son alimentation secteur, et adressez-vous immédiatement et uniquement à une personne qualifiée et agréée.

Tous les conseils de sécurité et d'installation doivent être lus avant de faire fonctionner l'appareil. Conservez soigneusement ce livret pour le consulter à nouveau pour de futures références.

Tous les conseils de sécurité doivent être soigneusement respectés. Suivez les instructions. Respectez les procédures d'installation et de fonctionnement indiquées dans ce manuel.

L'appareil doit être nettoyé uniquement avec un chiffon sec ou un aspirateur.

L'appareil doit être placé de telle manière que sa propre ventilation puisse fonctionner, c'est-à-dire avec un espace libre d'une dizaine de centimètres minimum autour de lui.



Il ne doit pas être posé sur un fauteuil, un canapé, une couverture ou toute autre surface susceptible de boucher ses ouïes d'aération ; ou placé dans un meuble empêchant la bonne circulation d'air autour des orifices d'aération.

Cet appareil doit être placé loin de toute source de chaleur, tels que radiateurs, chaudières, bouches de chaleur ou d'autres appareils (y compris amplificateurs de puissance) produisant de la chaleur.

ATTENTION : La prise secteur en face arrière constitue le moyen principal pour connecter/déconnecter l'appareil de son alimentation secteur. L'appareil doit donc être installé de telle manière que ce câble d'alimentation soit accessible en permanence.

Cet appareil doit être branché sur une prise d'alimentation secteur, d'une tension et d'un type conformes à ceux qui sont indiqués sur la face arrière de l'appareil (USA : 120 V/60 Hz, CE : 230 V/50 Hz)

Brancher l'appareil uniquement grâce au cordon secteur fourni, ou à un modèle équivalent. Ne pas tenter de modifier ou changer la prise. Notamment, ne pas tenter de supprimer la prise de terre (troisième broche de la prise) si celle-ci est présente. Si la prise n'est pas conforme à celles utilisées dans votre installation électrique, consultez un électricien agréé. Ne pas utiliser de cordon rallonge.

Prendre garde à ce que ce cordon d'alimentation ne soit pas pincé, écrasé ou détérioré sur tout son trajet, et à ce qu'il ne soit pas mis en contact avec une source de chaleur. Vérifiez soigneusement la bonne qualité des contacts, à l'arrière de l'appareil comme dans la prise murale.

La prise d'alimentation secteur constitue le moyen radical de déconnexion de l'appareil. Elle doit donc rester en permanence accessible, car sa déconnexion constitue la seule assurance que l'appareil n'est plus alimenté par le secteur. La diode LED de mise en veille Standby ne s'allume plus lorsque ce cordon d'alimentation est débranché.

Prendre garde à ce que ce cordon d'alimentation ne soit pas pincé, écrasé ou détérioré sur tout son trajet, et à ce qu'il ne soit pas mis en contact avec une source de chaleur. Vérifiez soigneusement la bonne qualité des contacts, à l'arrière de l'appareil comme dans la prise murale.

Débranchez le câble d'alimentation en cas d'orage, ou si l'appareil ne doit pas être utilisé pendant une longue période.

N'utilisez que des accessoires préconisés par le constructeur.

N'utilisez que des meubles, supports, systèmes de transport recommandés par Rotel. Procédez toujours avec la plus extrême précaution lorsque vous déplacez l'appareil, afin d'éviter tout risque de blessure.

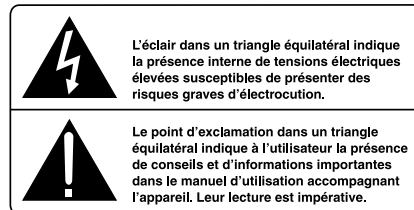


Utilisez un câble de type Classe 2 pour la liaison avec les enceintes acoustiques, afin de garantir une installation correcte et de minimiser les risques d'électrocution.

Si l'appareil ne doit pas être utilisé pendant une longue période, la prise secteur sera débranchée.

L'appareil doit être immédiatement éteint, débranché puis retourné au service après-vente agréé dans les cas suivants :

- Le câble d'alimentation secteur ou sa prise est endommagé.
- Un objet est tombé, ou du liquide a coulé à l'intérieur de l'appareil.
- L'appareil a été exposé à la pluie.
- L'appareil ne fonctionne manifestement pas normalement.
- L'appareil est tombé, ou le coffret est endommagé.



Tous les appareils Rotel sont conçus en totale conformité avec les directives internationales concernant les restrictions d'utilisation de substances dangereuses (RoHS) pour l'environnement, dans les équipements électriques et électroniques, ainsi que pour le recyclage des matériaux utilisés (WEEE, pour Waste Electrical and Electronic Equipment). Le symbole du conteneur à ordures barré par une croix indique la compatibilité avec ces directives, et le fait que les appareils peuvent être correctement recyclés ou traités dans le respect total de ces normes.



Ce symbole signifie que cet appareil bénéficie d'une double isolation électrique. Sa prise d'alimentation n'a pas besoin d'être reliée à la terre ou à une masse particulière.



Sommaire

Figure 1: Commandes et branchements	3
Figure 2: Branchements en entrées et sorties	4
Remarques importantes	5
Remarques importantes concernant la sécurité	10
Au sujet de Rotel	11
Un mot au sujet de la notion de watts	11
Pour démarrer	12
Caractéristiques principales	12
Quelques précautions	12
Installation	12
Alimentation secteur et fonctionnement	12
Prise d'alimentation secteur 7	12
Interrupteur de mise sous tension et indicateur LED 1	12
Indicateur de protection LED 2	12
Sélecteur de mode de mise sous tension ON/OFF 3	13
Entrée et sortie Trigger 12 volts 4	13
Branchements des signaux en entrée 5	13
Branchement des enceintes acoustiques	13
Sélection des enceintes	13
Choix des câbles d'enceintes	13
Polarité et mise en phase	13
Branchement des câbles d'enceintes 5	14
Problèmes de fonctionnement	14
L'indicateur Power de mise sous tension ne s'allume pas	14
Pas de son	14
Diode de protection allumée	14
Spécifications	14

Au sujet de Rotel

Notre histoire commence il y a environ 50 ans. Depuis, au fil des années, nous avons reçu des centaines de prix et de récompenses, et satisfait des centaines de milliers de personnes – comme vous !

Rotel a été fondée par une famille passionnée de musique, qui a décidé de fabriquer des maillons Haute Fidélité sans compromis aucun. Depuis sa création, cette passion est restée intacte, et cette famille s'est fixée comme objectif de proposer à tous les audiophiles et mélomanes les meilleurs appareils possibles, quel que soit leur budget. Une volonté partagée par tous les employés de Rotel.

Les ingénieurs Rotel travaillent selon une équipe très soudée, écoutant, peaufinant chaque nouveau modèle jusqu'à ce qu'il atteigne exactement leurs standards – très élevés – de musicalité. Ils sont libres de choisir des composants en provenance du monde entier, afin de concevoir le produit le meilleur possible. C'est ainsi que vous trouverez dans nos appareils des condensateurs d'origine britannique ou allemande, des transistors japonais ou américains, tandis que les transformateurs toriques sont toujours fabriqués dans nos propres usines Rotel.

Nous sommes tous concernés par la qualité de l'environnement. Et, comme de plus en plus de produits électroniques sont fabriqués puis éliminés quelques années plus tard, il est désormais essentiel qu'un constructeur fabrique tous ses produits en veillant à ce qu'ils aient un impact minimum sur la terre et les nappes phréatiques.

Chez Rotel, nous sommes très fiers d'apporter notre pierre à ce nouvel édifice. Nous avons réduit la teneur en plomb de nos électroniques, en utilisant notamment une soudure spéciale ROHS, tandis que notre nouvelle gamme d'amplificateurs fonctionnant en classe D (non numérique) présente un rendement cinq fois supérieur aux générations conventionnelles précédentes, délivrant pourtant encore plus de puissance, avec une qualité encore supérieure. Ces appareils ne chauffent pas, dépensent beaucoup moins d'énergie, sont donc très bons pour l'environnement tout en étant encore plus musicaux.

En plus, nous imprimons tous nos catalogues et manuels sur papier recyclé.

Ce ne sont certes que de petites étapes. Mais ne sont-ce pas justement les plus importantes ? Nous continuons activement la recherche et la mise au point de nouvelles méthodes, et l'utilisation de nouveaux matériaux pour aboutir à un processus de fabrication général plus écologique et plus propre.

Tous les membres de l'équipe Rotel vous remercient pour l'achat de cet appareil. Nous sommes persuadés qu'il vous offrira de nombreuses années d'intense plaisir musical.

Un mot au sujet de la notion de watts

La puissance de sortie de ces amplificateurs RB-1562 et RB-1572 est de respectivement 100 et 250 watts par canal, les deux canaux étant en service et fonctionnant au maximum de leur puissance.

Rotel a choisi d'indiquer la puissance de sortie de cette manière parce que l'expérience de Rotel prouve que c'est la seule valeur de puissance réellement valable pour un amplificateur ou un ampli-tuner.

Lorsque l'on compare les spécifications de différents appareils, il convient de se méfier car la puissance est souvent indiquée sous d'autres conditions de fonctionnement, les résultats étant alors en fait incomparables.

Par exemple, la puissance de sortie peut être indiquée avec seulement un canal réellement en service, ce qui donne évidemment un résultat plus élevé. Les alimentations parfaitement régulées des amplificateurs Rotel fonctionnant en Classe D garantissent qu'ils fournissent la puissance de sortie maximum réelle indiquée pour un ou deux canaux effectivement en service.

L'impédance d'une enceinte acoustique indique la résistance électrique ou charge qu'elle représente, lorsque branchée sur un amplificateur, généralement 8 ohms ou 4 ohms. Plus l'impédance est faible, plus l'enceinte a besoin de puissance. En effet, une enceinte de 4 ohms nécessite près de deux fois la puissance d'une enceinte de 8 ohms.

Ainsi, idéalement, un amplificateur doit être capable de doubler sa puissance de sortie sur charge de 4 ohms – et une valeur de 100 watts sur charge de 8 ohms doit se transformer en une valeur de 200 watts sur 4 ohms. L'utilisation d'enceintes acoustiques de faible impédance demande à l'amplificateur une alimentation de meilleure qualité, car elle doit pouvoir fournir plus de courants tout en dégageant plus de chaleur.

Cependant, les amplificateurs Rotel sont conçus pour fonctionner avec des enceintes acoustiques de n'importe quelle impédance comprise entre 4 et 8 ohms, tous les canaux fonctionnant simultanément au maximum de leur puissance. Parce que la conception des circuits Rotel est optimisée pour le fonctionnement simultané de tous les canaux, Rotel peut se permettre de spécifier la puissance efficace maximum réelle disponible simultanément sur les deux canaux.

Ceci est également primordial pour votre plaisir d'écoute. Lorsque vous regardez un film, il est rassurant de savoir que l'on possède un amplificateur capable de reproduire parfaitement tous les canaux ensemble, notamment sur une explosion volcanique !

Pour démarrer

Merci d'avoir acheté cet amplificateur de puissance stéréophonique Rotel RB-1562 ou RB-1572. Il a été spécialement conçu pour contribuer à des heures et des heures de plaisir musical, que vous l'utilisiez dans une chaîne haute fidélité ou au sein d'un système Home Cinema.

Les RB-1562 et RB-1572 sont des amplificateurs de puissance deux canaux particulièrement sophistiqués. Ce sont des amplificateurs à Class D, avec alimentation à découpage, utilisant des composants de très haute qualité, et bien sûr la superbe qualité sonore chère à notre philosophie « Balanced Design ». Les capacités en courant très élevées du RB-1562 et du RB-1572 leur permettent d'alimenter sans aucune difficulté les enceintes présentant les charges les plus complexes.

Les RB-1562 et RB-1572 sont, fondamentalement, deux appareils identiques. Ils ne diffèrent que par leur puissance de sortie. Dans ce manuel, c'est le RB-1562 qui est le plus souvent cité, mais le RB-1572 fonctionne exactement de la même manière.

Caractéristiques principales

- Deux canaux d'amplification.
- Configuration de mise sous tension « on/off » sélectionnée par l'utilisateur : manuelle ou contrôlée par l'envoi d'une tension de commutation « trigger » 12 volts.
- Circuit de protection totale, avec indicateurs en face avant.
- Double paire de sorties enceintes par canal.

Quelques précautions

Veuillez lire ce manuel d'utilisation très soigneusement. Il vous donne toutes les informations nécessaires aux branchements et fonctionnement du RB-1562. Si vous vous posez encore des questions, n'hésitez pas à contacter immédiatement votre revendeur agréé Rotel.

Conservez soigneusement l'emballage du RB-1562. Il constitue le meilleur et le plus sûr moyen pour le transport futur de votre nouvel appareil. Tout autre emballage pourrait en effet entraîner des détériorations irréversibles à l'appareil.

Conservez la facture de votre appareil : c'est la meilleure preuve de votre propriété et de la date réelle d'achat. Elle vous sera utile en cas de nécessité de retour au service après-vente.

Installation

Le RB-1562 et RB-1572 génère de la chaleur pendant son fonctionnement normal. Ne bloquez donc pas ses ouïes de refroidissement. Il doit y avoir environ 10 cm de dégagement tout autour lui pour permettre le bon fonctionnement de sa ventilation, et une bonne circulation d'air tout autour du meuble qui le supporte. Ne négligez non plus jamais le poids de l'amplificateur au moment du choix de son installation. Vérifiez la solidité de l'étagère ou du meuble chargés de le recevoir.

Alimentation secteur et fonctionnement

Prise d'alimentation secteur [7]

Le RB-1562 est livré avec son propre câble d'alimentation secteur. N'utilisez que ce câble, ou sont équivalent exactement semblable. Ne tentez pas de modifier ce câble. N'utilisez pas de câble rallonge. Une prise multiple d'alimentation peut être utilisée, mais uniquement si elle est réellement calibrée pour supporter les demandes en courant des appareils qui y sont branchés et notamment celle, particulièrement élevée, du RB-1562.

Assurez-vous que l'interrupteur de mise sous tension Power Switch [1], en face avant, est bien en position « éteint » (OFF). Branchez alors le cordon secteur en face arrière dans la prise correspondante [7], puis l'autre extrémité dans la prise murale d'alimentation.

Votre RB-1562 est configuré en usine pour s'adapter à l'installation électrique en vigueur dans votre pays d'utilisation (USA : 120 volts/60 Hz ; Europe : 230 volts/50 Hz). Cette configuration est indiquée sur une étiquette, visible sur la face arrière de l'appareil.

Note : Si vous devez déménager dans un autre pays, il est possible de reconfigurer votre amplificateur RB-1562 pour une installation électrique de caractéristiques différentes. Ne tentez jamais cette modification vous-même. L'ouverture du capot du RB-1562 vous expose à des tensions électriques très dangereuses. Consultez obligatoirement un technicien qualifié ou l'usine/distributeur Rotel afin qu'il vous donne toutes les informations nécessaires à ce sujet.

Si vous vous absentez pendant une longue période, nous vous conseillons de débrancher la prise murale d'alimentation.

Interrupteur de mise sous tension et indicateur LED [1]


L'interrupteur de mise sous tension Power Switch se trouve sur la face avant. Il suffit d'appuyer dessus pour mettre l'amplificateur sous tension (ou pour rendre actives une des options de mise en marche automatique). La diode LED placée juste au-dessus s'allume alors. Une nouvelle pression sur l'interrupteur éteint l'appareil.

Indicateur de protection LED [2]

Des circuits de protection générale et thermique protègent l'amplificateur contre tout dommage éventuel dû à des conditions de fonctionnement anormales ou extrêmes. Contrairement à la majorité des autres amplificateurs de puissance, le circuit de protection du RB-1562 ou RB-1572 est totalement indépendant du trajet du signal audio, et n'a donc aucune influence sur les performances musicales.

Ce circuit contrôle aussi en permanence la température des étages de sortie, et coupe automatiquement l'amplificateur si celle-ci dépasse une valeur de fonctionnement normale.

De plus, le RB-1562 et RB-1572 intègre une protection contre les surcharges qui se met en service si l'impédance de charge en sortie devient trop basse.

Si un fonctionnement anormal survient, l'amplificateur s'arrête de fonctionner et la diode LED « PROTECTION »  de la face avant s'allume.

Si cela se produit, éteignez l'amplificateur, et laissez-le se refroidir naturellement pendant plusieurs minutes. Profitez-en pour tenter d'identifier et de corriger le problème. Lorsque vous rallumerez l'amplificateur, le circuit de protection doit normalement se réinitialiser automatiquement, et la diode PROTECTION s'éteindre.

Dans la plupart des cas, la mise en service de la protection est due à un court-circuit dans les câbles des enceintes acoustiques, ou à cause d'un mauvais respect de la ventilation correcte de l'amplificateur. Dans de très rares cas, la charge à très faible impédance ou très réactive de certaines enceintes acoustiques peut entraîner la mise en service de la protection.


Note : La diode de protection LED s'allume également lorsque le mode d'allumage de l'amplificateur par tension de commutation Trigger 12 V est sélectionné, et que l'amplificateur est en mode de veille Standby.

Sélecteur de mode de mise sous tension ON/OFF

Le RB-1562 et RB-1572 vous propose sa mise sous tension automatique en utilisant le système de commutation par présence de tension continue 12 volts dit « 12 V Trigger ». Le sélecteur en face arrière repéré « Turn On/Off Mode Selector » permet de choisir la méthode d'allumage de l'amplificateur.

- Avec le sélecteur en position repérée « OFF », l'amplificateur est mis sous ou hors tension manuellement, via sa touche Power en face avant.
- Lorsque le sélecteur est placé sur la position repérée « 12V TRIG », l'amplificateur s'allume automatiquement lorsqu'une tension de 12 volts est envoyée sur sa prise jack 3,5 mm placée à gauche du sélecteur et repérée « IN ». Il se remet en mode de veille Standby dès que cette tension disparaît sur la prise. L'interrupteur POWER SWITCH en face avant est placé avant ce sélecteur : il doit être pressé (ON) pour que la commutation TRIGGER 12 V soit effective et efficace. Couper l'alimentation avec cet interrupteur (OFF) éteint l'amplificateur, qu'il y ait ou non une tension de 12 volts sur la prise Trigger IN.

Entrée et sortie Trigger 12 volts

La prise jack 3,5 mm repérée IN est prévue pour transporter la tension de 12 volts nécessaire au fonctionnement de la commutation TRIGGER que nous venons de décrire. Pour être efficace, le sélecteur contigu  doit être sur sa position repérée « ON » (voir le paragraphe précédent). Cette entrée accepte en fait une tension continue ou alternative, d'une valeur comprise entre 3 et 30 volts.

La prise jack 3,5 mm repérée OUT permet de brancher une autre prise jack 3,5 mm pour renvoyer la tension de commutation 12 volts vers un autre appareil. La tension 12 volts n'est toutefois présente que si la prise IN est réellement alimentée par une telle tension.

Branchements des signaux en entrée

Voir Figure 2

Les RB-1562 et RB-1572 possèdent des entrées asymétriques de type RCA, standard traditionnel que l'on trouve sur la quasi-totalité des maillons audio complémentaires. Il y a une prise RCA pour chacun des deux canaux d'amplification. Ces prises RCA acceptent des signaux audio en provenance d'un préamplificateur ou d'un processeur sonore. N'utilisez que des câbles de liaison de la meilleure qualité possible, pour être certains de bénéficier d'une qualité sonore optimale.

Branchement des enceintes acoustiques

Voir Figure 2

Les RB-1562 et RB-1572 possèdent deux paires de prises pour enceintes acoustiques pour chaque canal d'amplification.

Sélection des enceintes

L'impédance nominale de chaque enceinte branchée sur le RB-1562/RB-1572, suivant le mode de fonctionnement choisi, doit être au minimum de 4 ohms.

Choix des câbles d'enceintes

Utilisez du câble deux conducteurs isolés pour relier le RB-1562/RB-1572 aux enceintes. La taille et la qualité du câble peuvent avoir de l'influence sur les performances musicales. Un câble standard fonctionnera, mais il peut présenter des limitations quant à la dynamique réellement reproduite ou à la qualité du grave, surtout sur de grandes longueurs. En général, un câble de plus fort diamètre entraîne une amélioration du son. Pour des performances optimales, penchez-vous sur l'offre en terme de câbles spécialisés, de très haute qualité. Votre revendeur agréé Rotel est en mesure de vous renseigner efficacement à ce sujet.

Polarité et mise en phase

La polarité – autrement dit l'orientation correcte du « + » et du « - » pour chaque branchement des enceintes acoustiques doit être respectée pour toutes les enceintes, afin que celles-ci soient toutes en phase. Si la phase d'une seule enceinte est inversée, il en résultera un manque de grave sensible et une dégradation importante de l'image stéréophonique. Tous les câbles sont repérés afin que vous puissiez identifier clairement leurs deux conducteurs. Soit les câbles sont différents (un cuivré, un argenté), soit la gaine est de couleur différente (filet de couleur), soit elle est gravée. Assurez-vous que vous repérez bien le conducteur pour toutes les liaisons, et que vous respectez parfaitement la phase sur toutes les enceintes acoustiques, par rapport à l'entrée.

Branchement des câbles d'enceintes

Le RB-1562/RB-1572 est équipé de deux paires de bornes vissantes par canal, cette double paire permettant un bi-câblage très facile. Ces prises acceptent indifféremment du câble nu, des cosses ou fourches spéciales, ou encore des fiches banane (sauf en Europe, où les nouvelles normes CE l'interdisent).

Tirez les câbles de l'amplificateur RB-1562/RB-1572 vers les enceintes acoustiques. Prévoyez suffisamment de longueur pour qu'ils ne subissent aucune contrainte sur toute leur longueur et que vous puissiez déplacer les éléments sans qu'ils soient tendus.

Note : Vérifiez bien la position respective des prises GAUCHE (LEFT) et DROITE (RIGHT), et branchez-les aux enceintes correspondantes respectives. Prenez un soin particulier aux branchements si vous utilisez le bi-câblage.

Si vous utilisez des fiches dites « banane », connectez-les d'abord aux câbles, puis branchez-les à l'arrière des prises des enceintes acoustiques. Les bornes des enceintes doivent rester totalement vissées (sens des aiguilles d'une montre) avant leur insertion.

Si vous utilisez des fourches, commencez par les relier/souder sur les câbles. Si vous utilisez du fil nu, dénudez tous les câbles sur une longueur suffisante, et torsadez les brins de chaque conducteur de telle manière qu'aucun brin ne puisse venir en contact avec un autre d'un autre conducteur (court-circuit). Suivant la taille des torsades, insérez-les dans les trous centraux des prises ou entourez-le autour des axes de celles-ci (sens des aiguilles d'une montre), de la même manière que pour les fourches. Dans tous les cas, serrez fermement à la main les bornes vissantes.

Note : Vérifiez bien qu'il n'y ait aucun brin qui vienne en contact avec des brins ou la prise adjacente.


Problèmes de fonctionnement

La majorité des problèmes survenant dans une installation haute fidélité est due à de mauvais branchements, ou à une mauvaise utilisation d'un ou de plusieurs maillons. Si le problème est bien lié à votre amplificateur de puissance, il s'agit très certainement d'un mauvais branchement. Voici quelques vérifications de base qui résolvent la majorité des problèmes rencontrés :


L'indicateur Power de mise sous tension ne s'allume pas

L'amplificateur RB-1562 n'est pas alimenté par le secteur. Vérifiez la position de l'interrupteur de mise sous tension Power (position ON). Si vous avez choisi l'option d'allumage via la prise 12 V TRIG, assurez-vous qu'une tension de commutation soit bien présente sur la prise jack correspondante 12 V TRIG IN.

Pas de son

Si l'amplificateur est bien sous tension mais qu'aucun son n'en sort, regardez la diode PROTECTION INDICATOR  sur la face avant. Si elle est allumée, voir le paragraphe suivant. Si elle est éteinte, vérifiez tous les maillons du système, la qualité des branchements et la position des diverses commandes.

Diode de protection allumée

La diode LED PROTECTION INDICATOR  s'allume si le circuit de protection est activé, et éteint alors automatiquement l'amplificateur. Cela arrive principalement quand les ouïes d'aération ont été obstruées, quand il y a un court-circuit dans les sorties enceintes, ou si l'amplificateur a fonctionné très longtemps à puissance maximum. Éteignez l'amplificateur et attendez qu'il refroidisse. Le fait d'appuyer à nouveau sur l'interrupteur de mise sous tension pour rallumer l'appareil entraînera la réinitialisation automatique des circuits de protection. Si la protection se remet à fonctionner, il y a un problème dans le système ou l'amplificateur lui-même.

Spécifications

Puissance de sortie continue (20 – 20 000 Hz, DHT < 0,03 %, 8 ohms)

RB-1562	100 watts/canal
RB-1572	250 watts/canal

Distorsion harmonique totale (20 – 20 000 Hz, 8 ohms) < 0,03 %

Distorsion d'intermodulation (60 Hz : 7 kHz, 4 : 1) < 0,03 %

Réponse en fréquence (± 1 dB)

RB-1562	10 Hz – 40 kHz
RB-1572	10 Hz – 80 kHz

Facteur d'amortissement (20 – 20 000 Hz, 8 ohms)

RB-1562	200
RB-1572	400

Impédance des enceintes

4 ohms minimum

Rapport signal/bruit (pondéré A IHF)

109 dB

Impédance/sensibilité d'entrée

RB-1562	8,3 k ohms / 1.25V
RB-1572	8,3 k ohms / 1.5V

Gain

RB-1562	27,2 dB
RB-1572	27,1 dB

Alimentation

Version U.S.	120 volts, 60 Hz
Version européenne	230 volts, 50 Hz

Consommation

RB-1562	130 watts
RB-1572	280 watts

Dimensions (L x H x P)

	431 x 99 x 339 mm
	17 x 4 x 13 ³ / ₈ ins.
	2U / 88.1 mm / 3 ¹ / ₂ ins.

Hauteur de la face avant

Poids (net)	
RB-1562	5,6 kg / 12.35 lbs.
RB-1572	7,8 kg / 17.2 lbs.

Toutes les spécifications sont certifiées exactes au moment de l'impression. Rotel se réserve le droit d'apporter des améliorations sans préavis.

Wichtige Sicherheitshinweise

WARNUNG: Im Innern des Gerätes befinden sich keine vom Bediener zu wartenden Teile. Alle Servicearbeiten müssen von qualifiziertem Servicepersonal durchgeführt werden.

WARNUNG: Zum Schutz vor Feuer oder einem elektrischen Schlag darf das Gerät weder Feuchtigkeit noch Wasser ausgesetzt werden. Achten Sie darauf, dass keine Spritzer in das Gerät gelangen. Stellen Sie keine mit Flüssigkeit gefüllten Gegenstände (z. B. Vasen) auf das Gerät. Das Eindringen von Gegenständen in das Gehäuse ist zu vermeiden. Sollte das Gerät trotzdem einmal Feuchtigkeit ausgesetzt sein oder ein Gegenstand in das Gehäuse gelangen, so trennen Sie es sofort vom Netz. Lassen Sie es von einem Fachmann prüfen und die notwendigen Reparaturarbeiten durchführen.

Lesen Sie sich alle Hinweise vor dem Anschließen und dem Betrieb des Gerätes genau durch.

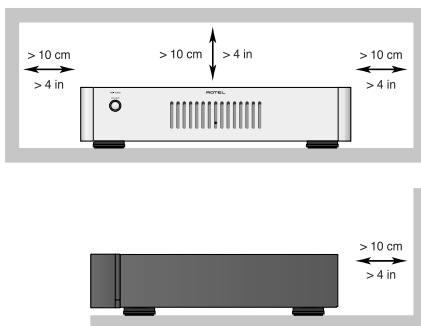
Bewahren Sie die Bedienungsanleitung so auf, dass sie jederzeit Zugriff auf diese Sicherheitshinweise haben.

Alle Warn- und Sicherheitshinweise in dieser Bedienungsanleitung und auf dem Gerät müssen genau beachtet werden. Außer den beschriebenen Handgriffen sind vom Bediener keine Arbeiten am Gerät vorzunehmen.

Reinigen Sie das Gehäuse nur mit einem weichen, trockenen Tuch oder einem Staubsauger.

Nutzen Sie das Gerät nicht in der Nähe von Wasser.

Stellen Sie sicher, dass um das Gerät ein Freiraum von 10 cm gewährleistet ist.



Stellen Sie das Gerät weder auf ein Bett, Sofa, Teppich oder ähnliche Oberflächen, damit die Ventilationsöffnungen nicht verdeckt werden. Das Gerät sollte nur dann in einem Regal oder in einem Schrank untergebracht werden, wenn eine ausreichende Luftzirkulation gewährleistet ist.

Stellen Sie das Gerät nicht in die Nähe von Wärmequellen (Heizkörper, Wärmespeicher, Öfen oder sonstige wärmeerzeugende Geräte).

WARNUNG: Die Verbindung mit dem Netz kann nur über den Netzeingang an der Geräterückseite unterbrochen werden. Das Gerät muss so aufgestellt werden, dass Sie freien Zugriff auf den Netzeingang haben.

Bevor Sie das Gerät in Betrieb nehmen, prüfen Sie, ob die Betriebsspannung mit der örtlichen Netzspannung (Europa: 230 V/50 Hz) übereinstimmt. Die Betriebsspannung ist an der Rückseite des Gerätes angegeben.

Schließen Sie das Gerät nur mit dem dazugehörigen zweipoligen Netzkabel an die Wandsteckdose an. Modifizieren Sie das Netzkabel auf keinen Fall. Versuchen Sie nicht, die Erdungs- und/oder Polarisationsvorschriften zu umgehen. Passt der Stecker nicht in die Steckdose, wenden Sie sich an einen qualifizierten Fachmann. Verwenden Sie keine Verlängerungskabel.

Netzkabel sind so zu verlegen, dass sie nicht beschädigt werden können (z. B. durch Trittbelastung, Möbelstücke oder Erwärmung). Besondere Vorsicht ist dabei an den Steckern, Verteilern und den Anschlussstellen des Gerätes geboten.

Bei Gewitter oder wenn Sie das Gerät für eine längere Zeit nicht in Betrieb nehmen ziehen Sie den Netzstecker aus der Steckdose.

Dieses Gerät sollte, wie andere Elektrogeräte auch, nicht unbeaufsichtigt betrieben werden.

Benutzen Sie nur vom Hersteller empfohlenes Zubehör.

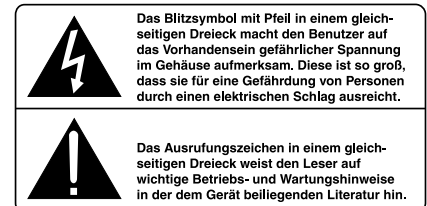
Verwenden Sie nur von Rotel empfohlene Transportmittel, Racks, Halterungen oder Regalsysteme. Seien Sie vorsichtig, wenn Sie das Gerät in einem Ständer oder Rack bewegen, um Verletzungen durch Umkippen vorzubeugen.



Verwenden Sie gemäß Class 2 isolierte Lautsprecherkabel, um eine ordnungsgemäße Installation zu gewährleisten und die Gefahr eines elektrischen Schlages zu minimieren.

Schalten Sie das Gerät sofort aus und ziehen Sie geschultes Fachpersonal zu Rate, wenn:

- das Netzkabel oder der Stecker beschädigt sind,
- Gegenstände bzw. Flüssigkeit in das Gerät gelangt sind,
- das Gerät Regen ausgesetzt war,
- das Gerät nicht ordnungsgemäß funktioniert bzw. eine deutliche Leistungsminderung aufweist,
- das Gerät hingefallen ist bzw. beschädigt wurde.



Rotel-Produkte entsprechen den internationalen Richtlinien über die Beschränkung der Verwendung bestimmter gefährlicher Stoffe in Elektro- und Elektronikgeräten (Restriction of Hazardous Substances (kurz RoHS genannt)) und über Elektro- und Elektronik-Altgeräte (Waste Electrical and Electronic Equipment (WEEE)). Die durchgestrichene Mülltonne steht für deren Einhaltung und besagt, dass die Produkte ordnungsgemäß recycelt oder diesen Richtlinien entsprechend entsorgt werden müssen.



Dieses Symbol bedeutet, dass das Gerät doppelt isoliert ist. Es muss daher nicht geerdet werden.



Inhaltsverzeichnis

Figure 1: Bedienelemente und Anschlüsse	3
Figure 2: Anschlussdiagramm	4
Wichtige Hinweise	5
Wichtige Sicherheitshinweise	16
Die Firma Rotel	17
Ein Wort zur Leistungsangabe	17
Zu dieser Anleitung	18
Features	18
Einige Vorsichtsmaßnahmen	18
Aufstellung des Gerätes	18
Netzspannung und Bedienung	18
Netzeingang 	18
Netzschalter und Betriebsanzeige 	18
Protection-LED 	18
ON/OFF-Kippschalter 	19
12-V-Trigger-Ein- und -Ausgang 	19
Eingangssignalanschlüsse 	19
Anschließen der Lautsprecher	19
Auswahl der Lautsprecher	19
Auswahl der Lautsprecherkabel	19
Polarität und Phasenabgleich	19
Anschluss der Lautsprecherkabel 	19
Bei Störungen	20
Die Betriebsanzeige leuchtet nicht	20
Kein Ton	20
Protection-LED leuchtet	20
Technische Daten	20

Die Firma Rotel

Unsere Geschichte begann vor ungefähr 50 Jahren. In den folgenden Jahrzehnten haben wir Hunderte von Auszeichnungen für unsere Produkte erhalten und unzähligen Menschen echten Hörgenuss bereitet, denen gute Unterhaltung wichtig ist.

Rotel wurde von einer Familie gegründet, deren Interesse an Musik so groß war, dass sie beschloss, hochwertigste HiFi-Produkte herzustellen und Musikliebhabern ungeachtet ihres Geldbeutels einen außergewöhnlichen Wert zukommen zu lassen. Ein Ziel, das von allen Rotel-Mitarbeitern verfolgt wird.

Die Ingenieure arbeiten als Team eng zusammen. Sie hören sich jedes neue Produkt an und stimmen es klanglich ab, bis es den gewünschten Musikstandards entspricht. Die eingesetzten Bauteile stammen aus verschiedenen Ländern und wurden ausgewählt, um das jeweilige Produkt zu optimieren. So finden Sie in Rotel-Geräten Kondensatoren aus Großbritannien und Deutschland, Halbleiter aus Japan oder den USA und direkt bei Rotel gefertigte Ringkerntransformatoren.

Wir fühlen uns unserer Umwelt gegenüber verpflichtet. Und da immer mehr Elektronik produziert wird und später entsorgt werden muss, ist es von Herstellerseite besonders wichtig, Produkte zu entwickeln, die unsere Mülldeponien und Gewässer möglichst wenig belasten.

Rotel ist stolz darauf, seinen Beitrag zu leisten. So konnten wir den Bleianteil in unserer Elektronik durch bleifreies Lötten reduzieren. Unsere neuen Class-D-Verstärker (nicht digital) arbeiten bis zu 5-mal effizienter

als ältere Verstärker-Designs, ohne dabei an Leistung und Performance zu verlieren. Mit ihren geringeren Wärmeverlusten schonen diese Produkte nicht nur die Umwelt, sie überzeugen auch klanglich.

Last, not least ist diese Anleitung auf Recyclingpapier gedruckt.

Dies sind zwar kleine, aber wichtige Schritte. Und wir forschen weiter nach Verfahren und Materialien für einen saubereren und umweltfreundlicheren Herstellungsprozess.

Vielen Dank, dass Sie sich für dieses Rotel-Produkt entschieden haben. Wir sind sicher, dass Sie in den nächsten Jahren viel Freude daran haben werden.

Ein Wort zur Leistungsangabe

Die Ausgangsleistung der RB-1562 und der RB-1572 wird mit 100 bzw. 250 Watt für jeden Kanal angegeben, wenn beide Kanäle zusammen bei voller Ausgangsleistung betrieben werden.

Rotel spezifiziert die Ausgangsleistung auf diese Weise, da nach unserer Erfahrung hiermit das tatsächliche Leistungspotenzial des Receivers oder Verstärkers wiedergespiegelt wird.

Beim Vergleich der technischen Daten verschiedener Hersteller sollten Sie sich darüber im Klaren sein, dass die Ausgangsleistung oftmals auf unterschiedliche Weise angegeben wird, so dass kein direkter Vergleich möglich ist.

Wird die Ausgangsleistung beispielsweise bei einem aktiven Kanal gemessen, so liegt der Maximalwert höher. Das erstklassige Schaltnetzteil der Rotel-Class-D-Verstärker gewährleistet, dass die gesamte angegebene Ausgangsleistung an einem bzw. an beiden Kanälen zur Verfügung steht.

Die Impedanz eines Lautsprechers steht für den elektrischen Widerstand oder die Last, die er für den Verstärker darstellt. Sie liegt in der Regel bei 8 oder 4 Ohm. Je geringer die Impedanz, desto höher ist die benötigte Leistung. So ist für den Antrieb eines 4-Ohm-Lautsprechers die doppelte Leistung erforderlich wie für einen 8-Ohm-Lautsprecher.

Idealerweise sollte der Verstärker an 4-Ohm-Lasten die doppelte Leistung abgeben – bei 100 Watt an 8 Ohm also 200 Watt an 4 Ohm. Grundsätzlich stellen Lautsprecher mit einer niedrigeren Impedanz höhere Ansprüche an das Netzteil des Verstärkers, da sie mehr Strom ziehen und mehr Wärme abgeben.

Daher sind Rotel-Verstärker so ausgelegt, dass sie mit jedem Lautsprecher mit einer Impedanz zwischen 8 und 4 Ohm arbeiten können, wobei alle Kanäle dabei die angegebene Ausgangsleistung liefern. Da das Rotel-Design so optimiert wurde, dass der gleichzeitige Betrieb aller Kanäle möglich ist, kann Rotel die tatsächliche Ausgangsleistung für beide Kanäle angeben.

Und das kann auch für Ihr Hörvergnügen von entscheidender Bedeutung sein. Beim Ansehen eines Filmes ist es immer von Vorteil, wenn der Verstärker in der Lage ist, auf allen Kanälen gleichzeitig die volle Ausgangsleistung zu gewährleisten. Das gilt besonders, wenn im Film ein Vulkan ausbricht!

Zu dieser Anleitung

Vielen Dank, dass Sie sich für die RB-1562 bzw. die RB-1572 von Rotel entschieden haben. Diese leistungsstarken Rotel-Endstufen können optimal in jedem qualitativ hochwertigen HiFi- oder Heimkinosystem eingesetzt werden.

Die RB-1562 und die RB-1572 sind erstklassige Stereo-Endstufen. Ihre Class-D-Verstärkerschaltungen, das Schaltnetzteil, erstklassige Bauteile und Rotels Balanced-Design-Konzept gewährleisten eine herausragende Klangqualität. Aufgrund der hohen Stromlieferfähigkeit können sie problemlos anspruchsvolle Lautsprecher kontrollieren.

Die RB-1562 und die RB-1572 sind im Wesentlichen gleiche Geräte. Sie unterscheiden sich nur in ihrer Ausgangsleistung.

Features

- Zwei Verstärkerkanäle.
- Power on/off-Konfiguration: manuell oder über 12-V-Trigger-Signal.
- Schutzschaltung mit LED-Anzeige an der Gerätefront.
- Anschluss der Lautsprecher über Schraubklemmen.

Einige Vorsichtsmaßnahmen

Lesen Sie sich die Bedienungsanleitung bitte vor der Inbetriebnahme genau durch. Neben grundsätzlichen Installations- und Bedienungshinweisen (bitte beachten Sie auch die Sicherheitshinweise am Anfang der Bedienungsanleitung) enthält sie allgemeine Informationen, die Ihnen helfen werden, Ihr System mit seiner maximalen Leistungsfähigkeit zu betreiben. Bitte setzen Sie sich bei etwaigen Fragen mit Ihrem autorisierten Rotel-Fachhändler in Verbindung.

Bewahren Sie den Versandkarton und das übrige Verpackungsmaterial der Endstufe für einen eventuellen späteren Einsatz auf. Der Versand oder Transport der Endstufe in einer anderen als der Originalverpackung kann zu erheblichen Beschädigungen Ihrer Endstufe führen.

Schicken Sie die Ihrer Endstufe beiliegende Garantieforderungskarte ausgefüllt an den Rotel-Distributor in Ihrem Land. Bewahren Sie bitte die Original-Kaufquittung auf. Sie belegt am besten das Kaufdatum, das für Sie wichtig wird, sobald Sie eine Garantieleistung in Anspruch nehmen.

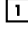
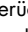
Aufstellung des Gerätes

Die Endstufe erwärmt sich während des normalen Betriebes. Diese Wärme kann unter normalen Bedingungen über die Kühlrippen und Ventilationsöffnungen der Endstufe problemlos abgeführt werden. Die Ventilationsöffnungen an der Oberseite dürfen nicht blockiert werden. Das Gerät ist an einem Ort aufzustellen, an dem rund um das Gehäuse ein Freiraum von 10 cm und eine ausreichende Luftzirkulation gewährleistet sind. Beachten Sie dies beim Einbau in einen Schrank oder beim Aufeinanderstellen mehrerer Systemkomponenten. Berücksichtigen Sie beim Aufbau das Gewicht der Endstufe. Stellen Sie sicher, dass das Regal oder der Schrank auf das vergleichsweise hohe Gewicht der Endstufe ausgelegt ist.

Netzspannung und Bedienung

Netzeingang

Die Endstufe wird mit dem passenden Netzkabel geliefert. Verwenden Sie kein Verlängerungskabel. Eine hochbelastbare Mehrfachsteckdose kann eingesetzt werden, wenn sie (ebenso wie die Wandsteckdose) ausreichende Strommengen für die Endstufe sowie die anderen an sie angeschlossenen Komponenten liefern kann.

Stellen Sie sicher, dass die Endstufe vor dem Anschließen an das Netz abgeschaltet ist, sich der Netzschalter  also in der Aus-Position befindet. Verbinden Sie nun das beiliegende Netzkabel mit dem Netzeingang  an der Geräterückseite und stecken Sie das andere Ende des Kabels in die Wandsteckdose.

Ihre Endstufe wird von Rotel so eingestellt, dass sie mit der in Ihrem Land üblichen Wechselspannung (Europa: 230 Volt Wechselspannung/50 Hz; USA: 120 Volt Wechselspannung/60 Hz) arbeitet. Die Einstellung ist an der Geräterückseite angegeben.

Hinweis: Sollten Sie mit Ihrer Endstufe in ein anderes Land umziehen, kann die Einstellung der Endstufe geändert werden, so dass sie mit einer anderen Netzspannung betrieben werden kann. Versuchen Sie auf keinen Fall, diese Änderung selber vorzunehmen. Durch Öffnen des Endstufengehäuses setzen Sie sich gefährlichen Spannungen aus. Ziehen Sie hierzu stets qualifiziertes Servicepersonal zu Rate.

Sind Sie für längere Zeit nicht zu Hause, wie z. B. während einer mehrwöchigen Urlaubsreise, sollten Sie Ihre Endstufe (ebenso wie alle anderen Audio- und Videokomponenten) während Ihrer Abwesenheit vom Netz trennen.

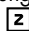
Netzschalter und Betriebsanzeige

Der Netzschalter ist in die Gerätefront integriert. Zum Einschalten (oder zum Aktivieren der optionalen, automatischen Power on-Modi) drücken Sie den Netzschalter. Der Ring um den Schalter beginnt zu leuchten und zeigt an, dass die Endstufe eingeschaltet ist. Drücken Sie zum Ausschalten der Endstufe erneut den Netzschalter.

Protection-LED

Die RB-1562 und die RB-1572 verfügen über eine thermische Schutzschaltung. Hierdurch werden die Endstufen vor möglichen Schäden durch extreme oder fehlerhafte Betriebsbedingungen geschützt. Im Gegensatz zu vielen anderen Konstruktionen ist die Schutzschaltung der Endstufen unabhängig vom Audiosignal und beeinflusst den Klang nicht. Stattdessen überwacht sie die Temperatur an den Leistungstransistoren und schaltet die Endstufen ab, sobald bestimmte Temperaturgrenzen überschritten werden.

Darüber hinaus besitzen die Endstufen einen Überstromschutz, der nur dann anspricht, wenn die Lastimpedanz zu stark abnimmt. Dieser Überstromschutz ist für jeden der beiden Kanäle getrennt ausgeführt.

Es ist unwahrscheinlich, dass es jemals zu einer Überlastung kommt. Sollte dennoch eine Störung auftreten, funktioniert die Endstufe nicht mehr. Die Protection-LED  an der Gerätefront beginnt zu leuchten.

Schalten Sie die Endstufe aus und lassen Sie sie einige Minuten abkühlen. Versuchen Sie, den Grund für die Störung herauszufinden und zu beheben. Beim erneuten Einschalten der Endstufe setzt sich die Schutzschaltung automatisch zurück, und die LED erlischt.

In den meisten Fällen wird die Schutzschaltung durch eine Fehlfunktion, wie z. B. durch kurzgeschlossene Lautsprecherkabel oder eine unzureichende Belüftung, die schließlich zu einer Überhitzung führt, aktiviert. In sehr seltenen Fällen können Lautsprecher mit einer extrem niedrigen Impedanz die Schutzschaltung aktivieren.


Hinweis: Die Protection-LED leuchtet auch, wenn das 12-V-Trigger-System genutzt wird und sich die Endstufe im Standby-Modus befindet.

ON/OFF-Kippschalter

Die Endstufe kann über ihr "12-V-Trigger"-System automatisch ein- und ausgeschaltet werden. Über den ON/OFF-Kippschalter können Sie den gewünschten Modus auswählen.

- Befindet sich der Kippschalter in der OFF-Position, wird die Endstufe manuell über den Netzschalter an der Gerätefront ein- und ausgeschaltet.
- Befindet sich der Kippschalter in der ON-Position, wird die Endstufe automatisch eingeschaltet, wenn an der 3,5-mm- und mit IN gekennzeichneten 12V TRIG IN-Buchse ein 12-V-Trigger-Signal anliegt. Über den Netzschalter an der Gerätefront können Sie diese Funktion umgehen. Der +12-V-Trigger funktioniert nur, wenn der Netzschalter in die Ein-Position gedrückt wurde. Befindet er sich in der Aus-Position, bleibt die Endstufe abgeschaltet, auch wenn ein Trigger-Signal anliegt.

12-V-Trigger-Ein- und -Ausgang

An die mit IN gekennzeichnete Anschlussbuchse kann zum Ein- und Ausschalten der Endstufe ein Anschlusskabel mit 3,5-mm-Klinkensteckern zur Übertragung eines +12-V-Trigger-Signals angeschlossen werden. Dazu ist der oben beschriebene Kippschalter  in die ON-Position zu setzen. Dieser Eingang reagiert auf Gleich- oder Wechselspannungssignale von 3 bis 30 Volt.

An die mit OUT gekennzeichnete Buchse kann ein weiteres Anschlusskabel mit 3,5-mm-Klinkensteckern angeschlossen werden, über das ein 12-V-Trigger-Signal zu anderen Komponenten geleitet werden kann. Das 12-V-Ausgangssignal steht bereit, sobald ein +12-V-Trigger-Signal an der mit IN gekennzeichneten Buchse anliegt.

Eingangssignalanschlüsse

Siehe Figure 2

An der Rückseite der RB-1562 und der RB-1572 befinden sich unsymmetrische Cinch-Eingänge, wie sie an jedem hochwertigen Audiogerät zu finden sind. Für jeden der beiden Verstärkerkanäle steht ein Cinch-Eingang zur Verfügung. An diese Cinch-Eingänge können Vorverstärker oder Surround-Prozessoren angeschlossen werden. Verwenden Sie hochwertige Verbindungskabel, um eine optimale Klangqualität zu gewährleisten.

Anschließen der Lautsprecher

Siehe Figure 2

An der RB-1562 und der RB-1572 befinden sich für jeden Verstärkerkanal je vier Schraubklemmen.

Auswahl der Lautsprecher

Die nominale Impedanz des(der) an die Endstufe angeschlossenen Lautspeakers(Lautsprecher) sollte mindestens 4 Ohm betragen.

Auswahl der Lautsprecherkabel

Verbinden Sie die Endstufe und die Lautsprecher über ein isoliertes, zweiadriges Lautsprecherkabel. Aufbau und Qualität des Kabels können hörbare Effekte auf die Musikwiedergabe haben. Standard-„Klingeldraht“ wird funktionieren, jedoch können vor allem bei größeren Kabellängen Leistungsverluste und eine ungleichmäßige Wiedergabe des Frequenzspektrums das Ergebnis sein. Allgemein gilt, dass Kabel mit größerem Querschnitt eine verbesserte Wiedergabequalität gewährleisten. Für höchste Wiedergabequalität sollten Sie die Benutzung von speziellen, hochwertigen Lautsprecherkabeln erwägen. Ihr autorisierter Rotel-Fachhändler wird Ihnen bei der Auswahl dieser Lautsprecherkabel gerne weiterhelfen.

Polarität und Phasenabgleich

Die Polarität – die positive/negative Ausrichtung der Anschlüsse – muss für jede Lautsprecher-/Verstärkerverbindung phasengleich sein. Wird die Polarität einer Verbindung irrtümlicherweise umgekehrt, führt dies zu einem unausgewogenen Klangbild mit schwachen Bässen.

Die Kabel sind zur Identifizierung gekennzeichnet. So kann die Isolationsschicht eines Leiters gerippt oder ein Leiter mit einem Streifen markiert sein. Das Kabel kann verschiedenfarbige Leiter (Kupfer und Silber) besitzen und von einer transparenten Isolationsschicht umgeben sein. Bei anderen Kabeln wird die Polaritätsangabe auf die Isolationsschicht gedruckt. Unterscheiden Sie zwischen positiven und negativen Leitern und achten Sie beim Anschluss an Lautsprecher und Verstärker auf die gleiche Polung.

Anschluss der Lautsprecherkabel

Die Endstufe verfügt an der Rückseite über vier farbig gekennzeichnete Schraubklemmen für jeden Verstärkerkanal. Damit ist auch ein Bi-Wiring der Lautsprecher problemlos möglich. An diese Schraubklemmen können blanke Drähte oder Kabelschuhe angeschlossen werden.

Führen Sie die Kabel von der Endstufe zu den Lautsprechern. Lassen Sie sich genügend Raum, damit Sie die Komponenten bewegen können und so einen freien Zugang zu den Lautsprecheranschlüssen sicherstellen.

Hinweis: Stellen Sie sicher, dass die LINKEN und RECHTEN Lautsprecher an die richtigen Schraubklemmen angeschlossen werden. Besondere Aufmerksamkeit ist beim Bi-Wiring geboten.

Bei der Verwendung von Kabelschuhen verbinden Sie diese mit den Kabeln, stecken die Kabelschuhe hinten unter die Schraubklemmen und drehen die Klemmen im Uhrzeigersinn fest.

Sollten die Lautsprecherkabel direkt (ohne Kabelschuhe) an die Lautsprecherklemmen angeschlossen werden, so entfernen Sie an den Kabelenden ca. 15 mm der Isolation. Lösen Sie die Schraubklemmen durch Drehen gegen den Uhrzeigersinn. Verdrillen Sie die blanken Kabelenden, um ein Zerfasern zu vermeiden, und stecken Sie das verdrillte Kabel hinter die Schraubklemmen. Anschließend drehen Sie diese im Uhrzeigersinn fest.

Hinweis: Achten Sie bitte darauf, dass die blanken Kabelenden vollständig an den Schraubklemmen untergebracht sind und somit das Berühren benachbarter Drähte oder Anschlüsse ausgeschlossen ist.

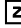
Bei Störungen

Tritt eine scheinbare Fehlfunktion auf, sollten zuerst die nachstehend aufgeführten Punkte überprüft werden. Viele Probleme beruhen auf einfachen Bedienungsfehlern oder fehlerhaften Anschlüssen. Lässt sich das Problem nicht beheben, wenden Sie sich bitte an Ihren autorisierten Rotel-Fachhändler.

Die Betriebsanzeige leuchtet nicht

Die Endstufe bekommt keinen Strom. Prüfen Sie, ob der Netzschalter an der Gerätefront gedrückt wurde. Prüfen Sie die Netzanschlüsse an der Endstufe und der Wandsteckdose. Befindet sich der Kippschalter an der Geräterückseite in der ON-Position, so prüfen Sie, ob ein Trigger-Signal an der 12V TRIG IN-Buchse anliegt.

Kein Ton

Bekommt die Endstufe Strom und ist trotzdem kein Ton zu hören, prüfen Sie, ob die Protection-LED  an der Frontseite leuchtet. Falls ja, beachten Sie bitte die Hinweise unten. Falls nicht, prüfen Sie, ob alle Geräte richtig angeschlossen sind und die Einstellungen an den angeschlossenen Geräten richtig vorgenommen wurden. Stellen Sie sicher, dass die Eingangs- und Lautsprecherverbindungen entsprechend der Systemkonfiguration hergestellt worden sind.

Protection-LED leuchtet

Wurde die Endstufe von der Schutzschaltung abgeschaltet, beginnt die Protection-LED zu leuchten. Normalerweise passiert dies nur, wenn die Endstufe überhitzt ist, die Lautsprecher nicht richtig angeschlossen wurden oder die Endstufe überlastet wurde. Schalten Sie das System ab und warten Sie, bis sich die Endstufe abgekühlt hat. Drücken Sie den Netzschalter anschließend einmal ein und aus, um die Schutzschaltung zurückzusetzen. Ist die Störung nicht beseitigt oder tritt sie erneut auf, liegt das Problem im System oder in der Endstufe selber.

Technische Daten

Dauerleistungsleistung (20 Hz – 20 kHz, < 0,03 %, 8 Ohm)

RB-1562	100 Watt/Kanal
RB-1572	250 Watt/Kanal

Gesamtklirrfaktor (20 Hz – 20 kHz, 8 Ohm)

	< 0,03 %
--	----------

Intermodulationsverzerrung (60 Hz : 7 kHz, 4 : 1)

	< 0,03 %
--	----------

Frequenzgang (± 1 dB)

RB-1562	10 Hz – 40 kHz
RB-1572	10 Hz – 80 kHz

Dämpfungsfaktor (20 Hz – 20 kHz, 8 Ohm)

RB-1562	200
RB-1572	400

Lautsprecherimpedanz

	Minimum 4 Ohm
--	---------------

Geräuschspannungsabstand (IHF A)

	109 dB
--	--------

Eingangsimpedanz/-empfindlichkeit

RB-1562	8,3 kOhm/1,25 V
RB-1572	8,3 kOhm/1,5 V

Verstärkung

RB-1562	27,2 dB
RB-1572	27,1 dB

Spannungsversorgung

	230 Volt/50 Hz
--	----------------

Leistungsaufnahme

RB-1562	130 Watt
RB-1572	280 Watt

Abmessungen (B x H x T)

	431 x 99 x 339 mm
--	-------------------

Höhe des Frontpanels

	2 U / 88.1 mm
--	---------------

Nettogewicht

RB-1562	5,6 kg
RB-1572	7,8 kg

Diese Bedienungsanleitung entspricht dem technischen Stand bei Drucklegung. Änderungen in Technik und Ausstattung vorbehalten.

Información Importante Relacionada con la Seguridad

ADVERTENCIA: No hay componentes manipulables por el usuario en el interior del aparato. Cualquier operación de mantenimiento debe ser llevada a cabo por personal cualificado.

ADVERTENCIA: Para reducir el riesgo de que se produzca un incendio o una descarga eléctrica, asegúrese de que el aparato no esté expuesto a goteos ni salpicaduras y que no se coloquen objetos que contengan líquidos —copas, vasos— encima del mismo. No permita que ningún objeto extraño penetre en el interior del aparato. Si el aparato está expuesto a la humedad o algún objeto extraño penetra en su interior, desconecte inmediatamente el cable de alimentación de la red eléctrica. En caso de que fuera necesario, envíe el aparato a un especialista cualificado para su inspección y posterior reparación.

Lea todas las instrucciones del presente manual antes de conectar o hacer funcionar el aparato.

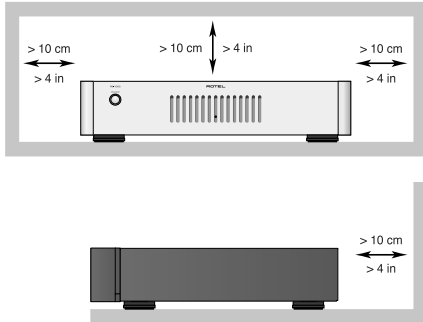
Conserve este manual cerca de usted para el caso de que necesite revisar las instrucciones de seguridad que se indican a continuación.

Tenga siempre en mente las advertencias y la información relativa a seguridad que figuran tanto en estas instrucciones como en el propio aparato. Siga al pie de letra todas las instrucciones relacionadas con el funcionamiento del mismo.

Limpie el exterior del aparato únicamente con una gamuza seca o un aspirador.

No utilice este aparato cerca de agua.

Debe dejar un mínimo de 10 centímetros de espacio libre alrededor del aparato.



No coloque nunca el aparato en una cama, un sofá, una alfombra o una superficie similar susceptible de bloquear las ranuras de ventilación. Si el aparato está ubicado en la estantería de una librería o un mueble, debe haber suficiente espacio a su alrededor y ventilación en el mueble para permitir una refrigeración adecuada.

Mantenga al aparato alejado de radiadores, estufas, cocinas o de cualquier otra instalación que produzca calor.

ADVERTENCIA: El conector del cable de alimentación del panel posterior hace las veces de dispositivo de desconexión de la red eléctrica. El aparato debe ubicarse en un área que permita acceder fácilmente a dicho conector.

El aparato debe ser conectado únicamente a una fuente de alimentación del tipo y la tensión especificados en su panel posterior (120 V/60 Hz para EE.UU. y 230/50 Hz para los países de la Comunidad Europea).

Conecte el aparato a una toma de corriente eléctrica únicamente a través del cable de alimentación suministrado de serie o un equivalente exacto del mismo. No modifique de ningún modo dicho cable. Una clavija polarizada tiene dos patillas, una más ancha que la otra. Una clavija polarizada tiene dos patillas más una tercera para conexión a tierra. Tal configuración permite aumentar la seguridad durante el funcionamiento del aparato. No intente desactivar los terminales destinados a la conexión a tierra o polarización. Si la clavija suministrada con el aparato no se adapta a su toma de corriente, le rogamos que contacte con un técnico autorizado para que proceda a la sustitución de esta última. No utilice ningún tipo de cable de extensión.

La clavija principal del cable de alimentación hace las veces de elemento de desconexión del aparato. Con el fin de desactivar por completo el aparato de la red eléctrica, la mencionada clavija debería desconectarse de la toma de corriente eléctrica alterna. En este caso, el indicador luminoso de la posición de espera no se activará para indicar que el cable de alimentación está desconectado.

No haga pasar el cable de alimentación por lugares en que pueda ser aplastado, pinchado, doblado en ángulos críticos, expuesto al calor o dañado de algún modo. Preste particular atención al punto de unión entre el cable y la toma de corriente y también a la ubicación de esta última en el panel posterior del aparato.

El cable de alimentación debería desconectarse de la red eléctrica durante las tormentas o cuando el aparato no vaya a ser utilizado durante un largo período de tiempo (por ejemplo las vacaciones de verano).

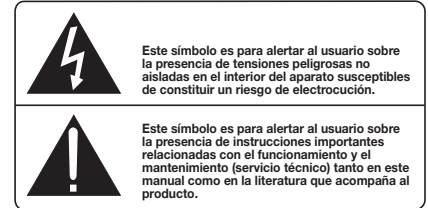
Utilice únicamente accesorios especificados por el fabricante.

Utilice únicamente muebles, soportes o estantes recomendados por Rotel. Sea cuidadoso cuando mueva el aparato ubicado en un mueble o soporte para evitar posibles daños provocados por el volcado del mismo.

Cuando conecte los terminales de conexión a cajas del aparato, le rogamos que utilice cableado de Clase 2 para garantizar el correcto aislamiento del mismo y minimizar el riesgo de que se produzca una descarga eléctrica.

Desconecte inmediatamente el aparato y envíelo a un servicio técnico cualificado para su inspección/reparación si:

- El cable de alimentación o alguna clavija del mismo ha sido dañado.
- Han caído objetos o se ha derramado líquido en el interior del aparato.
- El aparato ha sido expuesto a la lluvia.
- El aparato muestra signos de funcionamiento inadecuado.
- El aparato ha sido golpeado o dañado de algún modo.



Los productos Rotel han sido diseñados para satisfacer la normativa internacional relativa a la Restricción del Uso de Sustancias Peligrosas (RoHS) en equipos eléctricos y electrónicos y la eliminación de Desperdicios Referentes a Equipos Eléctricos y Electrónicos (WEEE). El símbolo con el cubo de la basura indica el pleno cumplimiento de estas directrices y que los productos correspondientes deben ser reciclados o procesados adecuadamente en concordancia con las mismas.



Este símbolo significa que el aparato está doblemente aislado, por lo que no requiere ninguna conexión a tierra.



Contenido

Figura 1: Controles y Conexiones	3
Figura 2: Conexiones de Entrada y de Salida	4
Notas Importante	5
Información Importante Relacionada con la Seguridad	22
Acerca de Rotel	23
Unas Palabras Sobre los Vatios	23
Para Empezar	24
Funciones y Prestaciones Relevantes	24
Algunas Precauciones	24
Colocación	24
Alimentación y Control	24
Toma de Corriente Eléctrica Alterna 7	24
Conmutador e Indicador Luminoso de Puesta en Marcha 1	25
Indicador Luminoso de Protección 2	25
Selector del Modo de Conexión/Desconexión 3	25
Entrada y Salida para Señal de Disparo de +12 V 4	25
Conexiones de la Señal de Entrada 6	25
Conexión de las Cajas Acústicas	26
Selección de las Cajas Acústicas	26
Selección del Cable de Conexión de las Cajas Acústicas	26
Polaridad y Puesta en Fase	26
Conexión de las Cajas Acústicas 5	26
Problemas y Posibles Soluciones	27
El Indicador Luminoso del Panel Frontal No Se Activa	27
No Hay Sonido	27
El Indicador de Protección está Activado	27
Características Técnicas	27

Acerca de Rotel

Nuestra historia empezó hace casi 50 años. A lo largo de todas estas décadas hemos recibido cientos de premios por nuestros productos y satisfecho a centenares de miles de clientes que se toman muy en serio, al igual que usted, sus momentos de ocio.

Rotel fue fundada por una familia cuyo entusiasta interés por la música la condujo a diseñar y construir componentes de Alta Fidelidad sin ningún tipo de compromiso. Esta pasión ha permanecido inalterada durante todo este tiempo, hasta el punto de que el objetivo de los fundadores de la compañía -proporcionar productos de la máxima calidad a melómanos y audiófilos independientemente de cuales sean sus posibilidades económicas- es compartido por todos sus empleados.

Los ingenieros de Rotel trabajan como un equipo compacto, escuchando y llevando a cabo el ajuste fino de cada nuevo producto hasta que satisfice de manera exacta los estándares de calidad musical para los que fue diseñado. Para lograrlo, disponen de la máxima libertad para escoger los mejores componentes allí donde se encuentren. Le sorprenderá agradablemente encontrar exquisitos condensadores procedentes del Reino Unido y Alemania o semiconductores de Japón o Estados Unidos, mientras que los transformadores toroidales de potencia son construidos en la propia factoría de Rotel.

Tonamos nosotros nos preocupamos por nuestro entorno. Y a medida que se producen y posteriormente desechan más y más aparatos electrónicos, para un fabricante resulta especialmente importante hacer todo lo que le sea posible para poner a punto que tengan un impacto mínimo en los vertederos de basura y las capas freáticas.

En Rotel estamos orgullosos de contribuir con nuestra parte. Hemos reducido el contenido en plomo de nuestros productos utilizando una soldadura RoHS especial, mientras que nuestros nuevos amplificadores en Clase D (que no digitales) son hasta cinco veces más eficientes que nuestros diseños tradicionales a la vez que siguen ofreciendo una excelente dosis de potencia y prestaciones. La temperatura de funcionamiento de estos productos es baja y la energía que desperdician es mínima, a la vez que son amables con el medio ambiente y proporcionan un sonido superior.

Finalmente, queremos que sepa que hemos impreso este catálogo en papel reciclado.

Aunque entendemos que estas últimas consideraciones son sólo unos primeros pasos, también tenemos muy claro que ello no quita que sean importantes. Y continuaremos buscando nuevos materiales y métodos de fabricación para conseguir que nuestros procesos de fabricación sean lo más limpios y ecológicos posible.

Le agradecemos que haya adquirido este producto. Estamos seguros de que le proporcionará largos años de disfrute en la escucha de sus grabaciones musicales favoritas.

Unas Palabras Sobre los Vatios

La potencia de salida de la RB-1562 y la RB-1572 es de 100 y 250 vatios continuos por canal respectivamente con ambos canales excitados.

Rotel ha elegido especificar de este modo la potencia de salida porque su dilatada experiencia le permite afirmar que es la que proporciona el valor más fiel de la capacidad de entrega de potencia tanto de una electrónica integrada como de una etapa de potencia.

Cuando compare las especificaciones correspondientes a distintos productos, debería tener en cuenta que la potencia de salida es a menudo expresada de otras maneras, por lo que es muy posible que la comparación pura y dura entre cifras no proceda.

Por ejemplo, es posible que la potencia de salida se dé con un único canal en funcionamiento, por lo que de este modo el valor pertinente sea el máximo posible. Si Rotel eligiera esta opción, la potencia de salida correspondiente tanto a la RB-1562 como a la RB-1572 sería un 25% o un 30% superior para una misma tasa de distorsión y un mismo valor de la impedancia de las cajas acústicas utilizadas.

El valor de la impedancia de una caja acústica indica la resistencia eléctrica o carga que presenta cuando es conectada al amplificador y que por regla general suele ser de 8 ó 4 ohmios. Cuanto menor sea la impedancia, más potencia necesitará la caja acústica para ser debidamente excitada. Así, una caja acústica con una impedancia de 4 ohmios necesitará el doble de potencia que otra cuya impedancia sea de 8 ohmios.

En consecuencia, lo ideal sería que el amplificador fuese capaz de doblar su potencia de salida con cargas de 4 ohmios, lo que significa que 50 vatios sobre una carga de 8 ohmios deberían convertirse en 100 vatios sobre 4 ohmios. La utilización de cajas acústicas de menor impedancia implica una mayor demanda de energía a la fuente de alimentación del amplificador por cuanto las mismas drenarán más corriente y desprenderán más calor.

No obstante, los amplificadores Rotel están diseñados para funcionar con cualquier impedancia de valor comprendido entre 4 y 8 ohmios y con todos los canales excitados a plena potencia. Es precisamente porque el diseño de los amplificadores Rotel está optimizado para que trabajen con todos los canales excitados que podemos especificar la verdadera potencia de salida para los canales disponibles.

Esto también puede ser importante en términos de disfrute puro y duro. Cuando visionamos películas, es idóneo disponer de un amplificador que sea capaz de hacer trabajar simultáneamente todos sus canales a plena potencia... ¡sobre todo en el caso de la explosión de un volcán!

Para Empezar

Gracias por comprar la Etapa de Potencia Estereofónica Rotel RB-1562/RB-1572. Utilizada en un sistema de reproducción musical o audiovisual de alta calidad, le permitirá disfrutar durante muchos años de sus composiciones musicales y películas favoritas.

Tanto la RB-1562 como la RB-1572 son etapas de potencia estereofónica particularmente sofisticadas. Su circuitería de amplificación digital, una fuente de alimentación conmutada, componentes electrónicos de primera calidad y el exclusivo Diseño Equilibrado de Rotel aseguran que proporcionen una soberbia calidad sonora. Asimismo, una elevada capacidad de entrega de corriente hace que la tanto la RB-1572 como la RB-1562 puedan atacar con extrema facilidad cajas acústicas "difíciles" en las más variadas condiciones de trabajo.

En esencial, la RB-1562 y la RB-1572 son idénticas, difiriendo únicamente en su potencia de salida. En este manual se hace más referencia a la RB-1562 pero la RB-1572 funciona de modo similar.

Funciones y Prestaciones Relevantes

- Dos canales de amplificación.
- Configuración de arranque/desconexión seleccionable por el usuario: manual o controlada a distancia por una señal de disparo de 12 V.
- Circuitería de protección con indicador luminoso en el panel frontal.
- Dos juegos de terminales de conexión a cajas acústicas.

Algunas Precauciones

Le rogamos que lea cuidadosamente el presente manual de instrucciones. Además de las instrucciones básicas de instalación y puesta a punto, incluye información de gran valor sobre las diferentes configuraciones que permite el aparato, así como información general que le ayudará a optimizar las prestaciones de su sistema. Le rogamos asimismo que contacte con su distribuidor autorizado de productos Rotel para cualquier duda o consulta. No le quepa la menor duda de que todos sus comentarios y observaciones serán bien recibidos.

Guarde el embalaje del amplificador y todo el material en él contenido para un posible uso futuro del mismo. El embalaje o transporte del amplificador en condiciones diferentes de las originales puede dañar seriamente el aparato.

Asegúrese de conservar en su poder la factura de compra original puesto que la misma constituye el mejor recordatorio de la fecha de compra del aparato, un dato esencial en caso de que necesitara asistencia técnica durante el período de garantía.


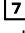
Colocación

El amplificador genera calor como una parte de su funcionamiento normal. Tanto los disipadores térmicos como las ranuras de ventilación del aparato están perfectamente capacitados para eliminar este calor. Las ranuras de ventilación situadas en la cubierta superior deben permanecer siempre despejadas. Debería dejar unos 10 centímetros de espacio libre alrededor del chasis y permitir una circulación de aire razonable para evitar que el aparato se caliente en exceso. Tenga igualmente en cuenta el peso del amplificador cuando seleccione una ubicación determinada para su instalación. Asegúrese por tanto de que la estantería o mueble utilizado pueda soportarlo sin mayores problemas.

Alimentación y Control

Toma de Corriente Eléctrica Alterna

El amplificador se suministra de serie con un cable de alimentación adecuado. Utilice únicamente dicho cable o un equivalente exacto del mismo. No utilice ningún tipo de cable de extensión. Puede utilizarse una base de enchufes de alta calidad sólo si la misma (y, por supuesto, la toma de corriente ubicada en la pared de su casa) está preparada para manejar la corriente exigida por el amplificador.

Asegúrese de que el Conmutador de Puesta en Marcha  del panel frontal del amplificador esté desconectado y a continuación inserte uno de los extremos del cable de alimentación suministrado de serie en el receptáculo correspondiente del panel posterior del aparato . Conecte el otro extremo a una toma de corriente eléctrica alterna adecuada.

Su amplificador ha sido configurado en fábrica para que funcione con la tensión eléctrica alterna correcta que corresponda al país en que ha sido comprado (120 voltios/60 Hz en Estados Unidos o 230 voltios/50 Hz en Europa). Dicha configuración está indicada en una etiqueta que figura en un lugar visible del panel posterior del aparato.

Nota: En caso de que tuviese que trasladar su amplificador a otro país, es posible reconfigurarlo para que pueda trabajar con una tensión de red diferente de la establecida en fábrica. No intente llevar a cabo esta conversión por su cuenta. El acceso al interior del aparato le expondrá a tensiones peligrosas. Para cualquier información al respecto, le rogamos que contacte con personal cualificado o llame al departamento de asistencia técnica postventa de Rotel.

Si va a estar fuera de su casa durante un largo período de tiempo -por ejemplo las vacaciones de verano-, le recomendamos, como precaución básica, que desconecte su amplificador (así como el resto de componentes de audio y vídeo de su equipo) de la red eléctrica.

Conmutador e Indicador Luminoso de Puesta en Marcha 1

El Conmutador de Puesta en Marcha está ubicado en el panel frontal. Púlselo para poner en marcha el amplificador (o para activar uno cualquiera de los modos de arranque automático opcionales). El anillo situado alrededor de dicho conmutador se activará, indicando que el amplificador está plenamente operativo. Para desactivar el aparato, basta con que pulse de nuevo el mencionado botón a fin de que éste regrese a su posición inicial (hacia fuera).

Indicador Luminoso de Protección 2

El amplificador incorpora sensores de temperatura y circuitos de protección térmica que lo protegen frente a cualquier daño potencial que pudiera producirse en caso de funcionamiento en condiciones extremas o de que hubiese fallos en el mismo. Al contrario de lo que sucede en muchos diseños de su clase, la circuitería de protección de la RB-1562 y la RB-1572 es completamente independiente de la señal de audio y por tanto no tiene el más mínimo impacto en las prestaciones sonoras. De este modo, los circuitos de protección monitorizan la temperatura de los dispositivos de salida y desconectan el amplificador si la temperatura de funcionamiento excede los límites de seguridad prefijados.

Además, tanto la RB-1562 como la RB-1572 incluyen una protección frente a demandas excesivas de corriente que se activa únicamente cuando la impedancia de carga (es decir de las cajas acústicas) se sitúa en un valor muy bajo. Esta protección es independiente para cada uno de los dos canales del aparato.

En el caso de que se detecte un funcionamiento defectuoso de su amplificador, el aparato se desconectará y el Indicador Luminoso de Protección 2 del panel frontal se activará.

Si esto sucede, desconecte completamente el amplificador, déjelo enfriar unos minutos e intente identificar y corregir el problema que ha provocado la activación de la circuitería de protección. Cuando vuelva a poner de nuevo en marcha el aparato, el circuito de protección se reinicializará automáticamente y el Indicador Luminoso de Protección debería desactivarse.

En la mayoría de casos, la circuitería de protección se activa como consecuencia de una condición de funcionamiento incorrecto tal como un cortocircuito de los cables de conexión a las cajas acústicas o una ventilación inadecuada que provoque el sobrecalentamiento del aparato. En algunos casos muy concretos (y raros), una impedancia de las cajas extremadamente baja o muy reactiva podría provocar la activación de los circuitos de protección.

Nota: El Indicador de Activación del Sistema de Protección también se iluminará cuando se utilice el sistema de arranque por señal de disparo de 12 V y el amplificador esté situado en el modo de espera ("Standby").

Selector del Modo de Conexión/Desconexión 3

El amplificador puede ser activado y desactivado automáticamente mediante su sistema de "Señal de Disparo de 12 V". El cometido del Selector del Modo de Activación/Desactivación es seleccionar el método que se desee utilizar.

- Con el conmutador en la posición OFF, el amplificador es conectado/desconectado manualmente utilizando el conmutador de puesta en marcha del panel frontal.
- Con el conmutador en la posición 12V TRIG. el amplificador es conectado automáticamente cuando se aplica una señal de disparo de 12 voltios en la toma de 3'5 mm designada por IN. El CONMUTADOR DE PUESTA EN MARCHA del panel frontal ignora esta función. Por lo tanto, debe estar en la posición ON para que la señal de disparo de +12V funcione. Si el citado conmutador se sitúa en la posición OFF, se interrumpirá el suministro de señal de alimentación al amplificador independientemente de que haya o no una señal de disparo.

Entrada y Salida para Señal de Disparo de +12 V 4

La toma designada por IN sirve para conectar el cable/clavija de 3'5 mm que transporta una señal de disparo de +12 voltios capaz de poner en marcha o desactivar el amplificador. Para utilizar esta función, el conmutador adyacente 3 debe situarse en la posición ON (ver sección anterior). Esta entrada acepta cualquier señal de control (tanto alterna como continua) de valor comprendido entre 3 y 30 voltios.

La toma designada por OUT sirve para conectar otro cable/clavija de 3'5 mm para suministrar una señal de disparo de 12 voltios a otros componentes. La señal de salida de 12 voltios estará disponible siempre que se aplique una señal de disparo de +12 voltios al conector IN.

Conexiones de la Señal de Entrada 5

Ver Figura 2

Tanto la RB-1562 como la RB-1572 incorporan conexiones de entrada estándar no balanceadas con terminales RCA, que son los habituales en la inmensa mayoría de componentes de audio. Hay una entrada RCA para cada uno de los dos canales de amplificación de ambos modelos. Estas entradas RCA aceptan señales de audio procedentes de preamplificadores o procesadores de sonido envolvente. Para conseguir las mejores prestaciones posibles, utilice únicamente cables de interconexión de alta calidad.

Conexión de las Cajas Acústicas

Ver Figura 2

Tanto la RB-1562 como la RB-1572 incorporan cuatro juegos de terminales de conexión -dos para cada canal de amplificación- a cajas acústicas estándar.

Selección de las Cajas Acústicas

La impedancia nominal de la(s) caja(s) acústica(s) conectada(s) a cada canal del amplificador no debería ser inferior a 4 ohmios.

Selección del Cable de Conexión de las Cajas Acústicas

Utilice un cable de dos conductores perfectamente aislado para conectar el amplificador a las cajas acústicas. El tamaño y la calidad de dicho cable pueden tener un efecto audible sobre las prestaciones de la totalidad de su equipo. Un cable de conexión de calidad estándar funcionará pero es posible que provoque una disminución de la potencia de salida o una atenuación de la respuesta en graves, en particular si la longitud del mismo es elevada. En general, un cable más consistente (léase más grande y pesado) mejorará el sonido. Para conseguir unas prestaciones óptimas, debería considerar la compra de cables de alta calidad especialmente diseñados para aplicaciones de audio. Su distribuidor autorizado de productos Rotel puede ayudarle en la selección de los cables que vaya a utilizar en su sistema.

Polaridad y Puesta en Fase

La polaridad, es decir la orientación positiva/negativa de las conexiones correspondientes a cada caja acústica y a la unión con el amplificador, debe ser coherente, de modo que todas las cajas acústicas del sistema estén en fase. Si la polaridad de una conexión es invertida por error, se producirá una fuerte caída de la respuesta en graves, así como una degradación perceptible de la imagen estereofónica global. Todos los cables están marcados de manera que usted pueda identificar fácilmente los dos conductores. Puede haber marcas o líneas impresas en el revestimiento aislante de un conductor. El cable también puede presentar un claro aislamiento al incorporar conductores de distintos colores (cobre y plata). También puede haber indicaciones de polaridad impresas en el revestimiento aislante. Identifique los conductores positivos y negativos y sea coherente con cada una de las conexiones del amplificador y las cajas acústicas.

Conexión de las Cajas Acústicas

El amplificador incluye dos juegos de terminales de conexión debidamente codificados (en color) para cada canal de amplificación, dotación que hace posible la conexión de cajas acústicas en bicableado. Estos terminales de conexión aceptan cable pelado, clavijas estándar o incluso conectores de tipo banana (excepto en los países de la Comunidad Europea, donde su empleo no está permitido).

Lleve los cables desde el amplificador hasta las cajas acústicas. Procure que los mismos tengan la longitud suficiente para que pueda accederse sin ninguna restricción a los terminales de conexión de aquéllas.

Nota: Asegúrese de identificar correctamente la posición de los terminales de conexión correspondientes a las cajas acústicas IZQUIERDA (LEFT) y DERECHA (RIGHT) y conecte sus cajas acústicas IZQUIERDA y DERECHA a las salidas correctas. Cuide particularmente el proceso de conexión si piensa utilizar dos juegos de cables para bicablear sus cajas acústicas.

Si usted está utilizando conectores de tipo banana, únalos primero a los cables y a continuación insértelos en la zona posterior de los terminales de conexión. En cualquier caso, las tuercas de fijación de los terminales de fijación deberían bloquearse girándolas en sentido horario.

Si está utilizando terminales de tipo clavija (por ejemplo horquillas planas o "spades"), conéctelos en primer lugar a los cables. Si está colocando directamente cable pelado a los terminales de conexión, separe los cables correspondientes a cada conductor y quite la parte superior del revestimiento aislante. Asegúrese asimismo de no cortar ninguno de los conductores propiamente dichos. Libere (girándolas en sentido contrario de las agujas del reloj) las tuercas de fijación y a continuación coloque las clavijas alrededor de los terminales de conexión o el cable pelado en el orificio transversal que hay en los mismos. Gire en sentido horario las tuercas de fijación para sujetar firmemente en su lugar la clavija o el cable de conexión.

Nota: Asegúrese de que no haya restos de cable susceptibles de tocar los cables o conductores adyacentes.

Problemas y Posibles Soluciones

La mayoría de dificultades que suelen producirse en los sistemas de audio son el resultado de conexiones realizadas incorrectamente o ajustes inapropiados. En caso de que se encuentre con algún problema, aisle en primer lugar el área afectada, compruebe los ajustes de control realizados, determine la causa del fallo y haga los cambios necesarios. Si se ve incapaz de hacer funcionar de nuevo su amplificador, considere las sugerencias que le damos para las siguientes condiciones:

El Indicador Luminoso del Panel Frontal No Se Activa

No entra corriente eléctrica en el amplificador. Compruebe las conexiones relativas al suministro de señal eléctrica tanto del amplificador como de su propia casa (red eléctrica). Compruebe el conmutador de puesta en marcha del panel frontal. Asegúrese de que esté situado en la posición ON. Si utiliza una señal de disparo de 12 V para la puesta en marcha del amplificador, asegúrese de que haya una señal de dicha clase en la toma 12V TRIG IN del panel posterior del aparato.

No Hay Sonido

Si el amplificador recibe señal eléctrica pero no produce sonido, compruebe el estado del Indicador Luminoso de Protección [Z] situado en su panel frontal. Si está activado, lea las líneas que siguen. En caso contrario, compruebe todas las conexiones de su equipo y los ajustes correspondientes a cada uno de los componentes del mismo. Asegúrese de que sus conexiones de entrada y las correspondientes a las cajas acústicas concuerden con la configuración de su equipo.

El Indicador de Protección está Activado

El Indicador Luminoso de Protección [Z] del panel frontal se activa cuando los circuitos de protección del amplificador han interrumpido el funcionamiento normal del aparato. Por regla general, esto solamente suele ocurrir cuando las ranuras de ventilación están bloqueadas, cuando hay una conexión incorrecta de las cajas acústicas o después de un período de utilización en condiciones extremas. Desconecte su equipo y espere que el amplificador se enfríe. A continuación, pulse repetidamente el conmutador de puesta en marcha para reinicializar los dispositivos de protección. Si la anomalía no es corregida y vuelve a hacer acto de presencia, significa que hay un problema en su equipo o en el propio amplificador.

Características Técnicas

Potencia de Salida Continua

(20-20.000 Hz, 8 ohmios, THD <0'03%, con filtro a 20 kHz)

RB-1562 100 W/canal

RB-1572 250 W/canal

Distorsión Armónica Total (20-20.000 Hz, 8 ohmios) < 0'03%

Distorsión por Intermodulación (60 Hz:7 kHz, 4:1) < 0'03%

Respuesta en Frecuencia

RB-1562 10 – 40.000 Hz, ±1 dB

RB-1572 10 – 80.000 Hz, ±1 dB

Factor de Amortiguamiento (20-20.000 Hz, 8 ohmios)

RB-1562 200

RB-1572 400

Impedancia de las Cajas Acústicas

Relación Señal/Ruido (norma IHF/ponderación A) mínima de 4 ohmios

109 dB

Sensibilidad/Impedancia de Entrada

RB-1562 1'25 V/8'3 kohmios

RB-1572 1'5 V/8'3 kohmios

Ganancia

RB-1562 27'2 dB

RB-1572 27'1 dB

Alimentación

Versión para EE.UU.: 120 voltios/60 Hz

Versión para Europa: 230 voltios/50 Hz

Consumo

RB-1562 130 vatios

RB-1572 280 vatios

Dimensiones (An x Al x P)

431x99x339 mm

Altura del Panel Frontal (para montaje en rack)

2 U / 88.1 mm

Peso Neto

RB-1562 5'6 kg

RB-1572 7'8 kg

Todas estas especificaciones son correctas en el momento de la impresión del presente manual de instrucciones.

Rotel se reserva el derecho a realizar modificaciones en las mismas sin aviso previo.

Problemas y Posibles Soluciones

La mayoría de dificultades que suelen producirse en los sistemas de audio son el resultado de conexiones realizadas incorrectamente o ajustes inapropiados. En caso de que se encuentre con algún problema, aisle en primer lugar el área afectada, compruebe los ajustes de control realizados, determine la causa del fallo y haga los cambios necesarios. Si se ve incapaz de hacer funcionar de nuevo su amplificador, considere las sugerencias que le damos para las siguientes condiciones:

El Indicador Luminoso del Panel Frontal No Se Activa

No entra corriente eléctrica en el amplificador. Compruebe las conexiones relativas al suministro de señal eléctrica tanto del amplificador como de su propia casa (red eléctrica). Compruebe el conmutador de puesta en marcha del panel frontal. Asegúrese de que esté situado en la posición ON. Si utiliza una señal de disparo de 12 V para la puesta en marcha del amplificador, asegúrese de que haya una señal de dicha clase en la toma 12V TRIG IN del panel posterior del aparato.

No Hay Sonido

Si el amplificador recibe señal eléctrica pero no produce sonido, compruebe el estado del Indicador Luminoso de Protección [Z] situado en su panel frontal. Si está activado, lea las líneas que siguen. En caso contrario, compruebe todas las conexiones de su equipo y los ajustes correspondientes a cada uno de los componentes del mismo. Asegúrese de que sus conexiones de entrada y las correspondientes a las cajas acústicas concuerden con la configuración de su equipo.

El Indicador de Protección está Activado

El Indicador Luminoso de Protección [Z] del panel frontal se activa cuando los circuitos de protección del amplificador han interrumpido el funcionamiento normal del aparato. Por regla general, esto solamente suele ocurrir cuando las ranuras de ventilación están bloqueadas, cuando hay una conexión incorrecta de las cajas acústicas o después de un período de utilización en condiciones extremas. Desconecte su equipo y espere que el amplificador se enfríe. A continuación, pulse repetidamente el conmutador de puesta en marcha para reinicializar los dispositivos de protección. Si la anomalía no es corregida y vuelve a hacer acto de presencia, significa que hay un problema en su equipo o en el propio amplificador.

Características Técnicas

Potencia de Salida Continua

(20-20.000 Hz, 8 ohmios, THD <0'03%, con filtro a 20 kHz)

RB-1562 100 W/canal

RB-1572 250 W/canal

Distorsión Armónica Total (20-20.000 Hz, 8 ohmios) < 0'03%

Distorsión por Intermodulación (60 Hz:7 kHz, 4:1) < 0'03%

Respuesta en Frecuencia

RB-1562 10 – 40.000 Hz, ±1 dB

RB-1572 10 – 80.000 Hz, ±1 dB

Factor de Amortiguamiento (20-20.000 Hz, 8 ohmios)

RB-1562 200

RB-1572 400

Impedancia de las Cajas Acústicas

mínima de 4 ohmios

Relación Señal/Ruido (norma IHF/ponderación A) 109 dB

Sensibilidad/Impedancia de Entrada

RB-1562 1'25 V/8'3 kohmios

RB-1572 1'5 V/8'3 kohmios

Ganancia

RB-1562 27'2 dB

RB-1572 27'1 dB

Alimentación

Versión para EE.UU.: 120 voltios/60 Hz

Versión para Europa: 230 voltios/50 Hz

Consumo

RB-1562 130 vatios

RB-1572 280 vatios

Dimensiones (An x Al x P)

431x99x339 mm

Altura del Panel Frontal (para montaje en rack)

2 U / 88.1 mm

Peso Neto

RB-1562 5'6 kg

RB-1572 7'8 kg

Todas estas especificaciones son correctas en el momento de la impresión del presente manual de instrucciones.

Rotel se reserva el derecho a realizar modificaciones en las mismas sin aviso previo.

Importanti informazioni di Sicurezza

ATTENZIONE: Non vi sono all'interno parti riparabili dall'utente. Per l'assistenza fate riferimento a personale qualificato.

ATTENZIONE: Per ridurre il rischio di incendio e di scossa elettrica non esponete l'apparecchio all'umidità o all'acqua. Non esponete il prodotto a schizzi d'acqua, ad es. vasi, sull'unità. Evitare che cadano oggetti all'interno del cabinet. Se l'apparecchio è stato esposto all'umidità o un oggetto è caduto all'interno del cabinet, staccate il cavo di alimentazione dalla presa. Portare l'apparecchio ad un centro di assistenza qualificato per i necessari controlli e riparazioni.

Leggere attentamente tutte le istruzioni prima di collegare l'apparecchio alla rete di alimentazione ed utilizzarlo.

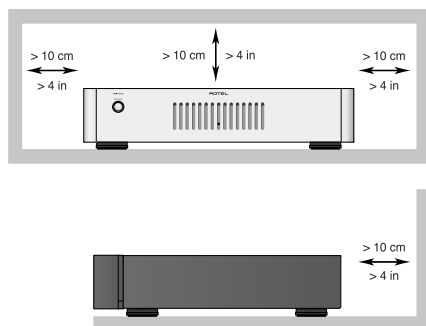
Conservate questo manuale per ogni riferimento futuro alle istruzioni di sicurezza.

Seguire attentamente tutte le avvertenze e le informazioni sulla sicurezza contenute in queste istruzioni e sul prodotto stesso. Seguire tutte le istruzioni d'uso.

Pulire il cabinet solo con un panno asciutto o con un piccolo aspirapolvere.

Non utilizzate questo prodotto vicino all'acqua.

Mantenere 10 cm circa di spazio libero da tutti i lati del prodotto.



Non posizionate l'apparecchiatura su un letto, divano, tappeto, o superfici che possano bloccare le aperture di ventilazione. Se l'apparecchio è posizionato in una libreria o in mobile apposito, fate in modo che ci sia abbastanza spazio attorno all'unità per consentire un'adeguata ventilazione e raffreddamento.

Tenete l'unità lontano da fonti di calore come termosifoni, termoconvettori, stufe, o altri apparecchi che producono calore.

ATTENZIONE: Per potere togliere completamente l'alimentazione all'unità bisogna scollegare il cavo di rete AC. Questo prodotto dovrebbe essere posizionato in uno spazio aperto che permetta di accedere agevolmente al connettore del cavo di alimentazione.

L'apparecchiatura deve essere collegata esclusivamente ad una sorgente di alimentazione elettrica del tipo indicato sul pannello posteriore dell'unità. (USA: 120V/60Hz, EC: 230V/50Hz)

Collegate l'unità alla presa di alimentazione solo con il cavo che viene fornito o con uno equivalente. Non modificate il cavo in dotazione in alcun modo. Non cercate di eliminare la messa a terra o la polarizzazione, sono previste per la vostra sicurezza. Non utilizzate prolunghe.

Per scollegare completamente il prodotto dall'alimentazione, il cavo di alimentazione dovrebbe essere scollegato dalla presa AC, che dovrebbe essere sempre facilmente accessibile. Quando il cavo di alimentazione è scollegato dalla presa il LED indicatore standby sarà spento.

Non fate passare il cavo di alimentazione dove potrebbe essere schiacciato, pizzicato, piegato ad angoli acuti, esposto al calore o danneggiato. Fate particolare attenzione al posizionamento del cavo di alimentazione all'altezza della presa e nel punto in cui esce dalla parte posteriore dell'apparecchio.

Il cavo di alimentazione dovrebbe essere scollegato dalla presa durante i temporali, o quando l'apparecchiatura rimane inutilizzata per un periodo piuttosto lungo.

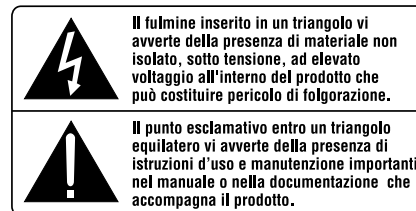
Utilizzate esclusivamente accessori indicati dal produttore.

Utilizzate solo carrelli, stand, rack, staffe o mensole raccomandati da Rotel. Fate attenzione quando spostate l'unità su un mobile con ruote poiché potrebbe cadere e provocare danni a cose o persone.

Utilizzate cavi per i diffusori isolati in Classe 2 per garantire un adeguato isolamento e limitare eventuali rischi di shock elettrico.

L'apparecchiatura deve essere disattivata immediatamente e fatta ispezionare da personale qualificato quando:

- Il cavo di alimentazione o la spina sono stati danneggiati.
- Sono caduti oggetti, o del liquido è stato versato nell'apparecchio.
- L'apparecchiatura è stata esposta alla pioggia.
- L'apparecchiatura non sembra funzionare in modo normale.
- L'apparecchiatura è caduta, o è stata danneggiata in qualche modo.



I prodotti Rotel sono realizzati in conformità con le normative internazionali: Restriction of Hazardous Substances (RoHS) per apparecchi elettronici ed elettrici, ed alle norme Waste Electrical and Electronic Equipment (WEEE). Il simbolo del cestino con le ruote e la croce sopra, indica la compatibilità con queste norme, e che il prodotto deve essere riciclato o smaltito in ottemperanza a queste direttive.



Questo simbolo indica che questo prodotto è doppiamente isolato. Non è necessario il collegamento della messa a terra.



Indice

Figura 1: Controlli e connessioni	3
Figura 2: Collegamenti ingresso ed uscita	4
Note importanti	5
Importanti informazioni di Sicurezza	28
Alcune Parole Sulla Rotel	29
Alcune informazioni sui "Watt"	29
Per Cominciare	30
Caratteristiche	30
Alcune precauzioni	30
Posizionamento	30
Alimentazione AC e comandi	30
Alimentazione AC 7	30
Interruttore di accensione e LED indicatore 1	30
Indicatori di protezione 2	30
Selettore modalità automatica accensione/spengimento 3	31
Ingresso ed uscita +12V Trigger 4	31
Collegamenti di segnale in ingresso 6	31
Collegamento dei diffusori	31
Scelta dei diffusori	31
Scelta dei cavi dei diffusori	31
Polarità e fase	31
Collegamento dei cavi dei diffusori 5	31
Risoluzione dei problemi	32
Il LED indicatore Power sul pannello frontale non sia accende	32
Nessun suono	32
Caratteristiche tecniche	32

Alcune Parole Sulla Rotel

La nostra storia ha avuto inizio quasi 50 anni fa. Nel corso del tempo abbiamo ricevuto centinaia di riconoscimenti per la qualità dei nostri prodotti e soddisfatto centinaia di migliaia di audiofili ed amanti della musica. Proprio come voi!

Rotel è stata fondata da una famiglia la cui passione per la musica ha portato alla realizzazione di componenti alta fedeltà di qualità senza compromessi. Attraverso gli anni questa passione non si è affievolita e l'obiettivo di realizzare apparecchi di straordinario valore per veri audiofili, indipendentemente dal loro budget, continua ad essere condiviso da tutti coloro che vi lavorano.

I nostri progettisti operano in stretto contatto tra loro ascoltando ed affinando ogni nuovo prodotto fino a raggiungere determinati standard qualitativi. Viene loro offerta una totale libertà di scelta sui componenti per ottenere le migliori prestazioni possibili. Non è raro quindi trovare in un Rotel condensatori di fabbricazione inglese o tedesca, semiconduttori giapponesi o americani, con la sola eccezione dei trasformatori di alimentazione, prodotti come tradizione nelle nostre fabbriche.

Noi tutti abbiamo a cuore i temi dell'ambiente. Pensando che al termine della loro vita operativa gli apparecchi elettronici verranno dismessi, è molto importante per un costruttore responsabile fare tutto il possibile affinché abbiano un impatto ambientale il più possibile ridotto.

Alla Rotel siamo orgogliosi di fare la nostra parte riducendo il contenuto di piombo nei nostri apparecchi rispettando rigorosamente la normativa RoHS. Inoltre abbiamo sviluppato amplificatori finali in Classe D (non digitale) fino a cinque volte più efficienti rispetto ai modelli tradizionali a parità di potenza e prestazioni. Questi modelli non producono calore durante il funzionamento, dissipando quindi pochissima energia ed offrono un suono perfino migliore.

Da ultimo poi, abbiamo stampato queste pagine su carta riciclata.

Certamente si tratta di piccoli passi, ma importanti perché nella giusta direzione. Ed è nostra intenzione proseguire, cercando di migliorare i processi produttivi ed utilizzare materiali sempre più rispettosi dell'ambiente.

Noi tutti di Rotel vi ringraziamo per aver acquistato questo prodotto che, siamo sicuri, vi accompagnerà per molti anni di puro divertimento e soddisfazione.

Alcune informazioni sui "Watt"

L'uscita di potenza del RB-1562 e RB-1572 sono, rispettivamente, di 100 e 250W per ogni canale, con entrambi i canali in funzione a piena potenza.

Rotel ha scelto di indicare la potenza di uscita in questo modo perché nella sua esperienza è il valore più veritiero della effettiva capacità di erogazione del sintoamplificatore o amplificatore.

Quando confrontate le caratteristiche tecniche di diversi prodotti, dovrete tenere conto del fatto che la potenza di uscita viene spesso indicata in vari modi, perciò potreste ritrovarvi a fare confronti con dati discordanti.

Per esempio, la potenza di uscita potrebbe essere indicata in riferimento a due soli canali in funzione, dando l'impressione di essere quindi più elevata. Gli stadi di alimentazione ad elevata stabilità degli amplificatori Rotel Classe D assicurano che produrranno effettivamente la potenza specificata per uno o entrambi i canali.

Il valore dell'impedenza del diffusore indica la resistenza elettrica o carico che offre quando è collegato all'amplificatore, normalmente è pari a 8 o 4 ohm. Più bassa è l'impedenza, maggiore sarà la potenza richiesta dai diffusori. Un diffusore da 4 ohm richiederà il doppio della corrente di uno da 8 ohm.

Perciò idealmente, l'amplificatore dovrebbe erogare il doppio della potenza con un carico di 4 ohm – un valore di potenza di 100 Watt su un carico di 8 ohm dovrebbe diventare pari a 200 Watt su 4 ohm. L'utilizzo di diffusori con impedenza più bassa andrà a gravare sullo stadio di alimentazione dell'amplificatore, perché richiederà più corrente e dissiperà meno calore.

Comunque, gli amplificatori Rotel sono progettati per lavorare con diffusori con impedenza compresa tra 8 e 4 ohm, e con tutti i canali in funzione a piena potenza. Poiché il design dei prodotti Rotel è ottimizzato per l'uso con tutti i canali in funzione contemporaneamente, Rotel è in grado di specificare la potenza effettiva erogata per tutti e cinque i canali.

Questo può essere importante anche per il vostro uso quotidiano. Mentre guardate i film, il vostro amplificatore è in grado di riprodurre le tracce audio a piena potenza su tutti i canali contemporaneamente, pensate solo all'eruzione di un vulcano!

Per Cominciare

Grazie per aver acquistato l'amplificatore finale stereo Rotel RB-1562 o RB-1572. Se utilizzato in un sistema home theater o stereo di alta qualità, il vostro amplificatore Rotel vi permetterà di godere di molti anni di buona musica.

L'RB-1562 e l'RB-1572 sono dei sofisticati amplificatori finali a due canali dotato di circuiti di amplificazione digitale, di un potente trasformatore di alimentazione, di componenti selezionati, e sono progettati seguendo le regole del Rotel Balanced Design Concept, che garantisce le superbe qualità sonore dei nostri prodotti. Inoltre, condensatori ad alta corrente permettono al RB-1562 e RB-1572 di pilotare facilmente anche carichi molto impegnativi.

Gli RB-1562 e RB-1572 sono essenzialmente identici, differiscono solo nella potenza di uscita. In questo manuale viene preso in considerazione maggiormente l'RB-1562, ma l'RB-1572 funziona allo stesso modo.

Caratteristiche

- Amplificatore finale a due canali.
- Possibilità di selezionare la modalità di accensione/spengimento: manuale, con rilevazione automatica del segnale in ingresso, o attraverso un segnale esterno trigger a 12V.
- Circuito di protezione con segnalazione sul pannello frontale.
- Doppi terminali di collegamento diffusori

Alcune precauzioni

Vi preghiamo di leggere con attenzione questo manuale. Insieme alle istruzioni d'uso e di installazione di base, fornisce una valida informazione sulle varie configurazioni del RB-1562 e RB-1572 ed altre informazioni generali che vi aiuteranno a sfruttare al meglio il vostro sistema. Siete pregati di mettervi in contatto con il vostro rivenditore autorizzato Rotel per eventuali domande o dubbi a cui non trovate risposta in questo manuale. Inoltre, tutti noi della Rotel saremo lieti di rispondere a qualsiasi vostra domanda e commento.

Conservate la scatola di imballo ed il materiale di protezione accluso dell'amplificatore per eventuali necessità future. La spedizione o lo spostamento dell'amplificatore in qualsiasi altro contenitore che non sia l'imballo originale potrebbe causare seri danni al prodotto.

Conservate la ricevuta d'acquisto originale. E' la prova di acquisto del prodotto contenente la data di acquisto, che vi servirà nell'eventualità di dovere ricorrere ad interventi di riparazione in garanzia.

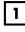

Posizionamento

L'RB-1562 e l'RB-1572 generano calore durante il normale funzionamento. I dissipatori di calore e le aperture di ventilazione sono stati realizzati per dissipare il calore. Non ostruite le aperture di ventilazione sul pannello superiore. Lasciate almeno 10cm di spazio libero attorno all'unità ed assicuratevi che ci sia una adeguata ventilazione, per prevenire il surriscaldamento dell'amplificatore. Allo stesso modo considerate il peso del prodotto quando decidete dove posizionarlo; assicuratevi che lo scaffale su cui poggia o il mobile su cui viene inserito possano sostenerne il peso.

Alimentazione AC e comandi

Alimentazione AC

Assieme all'RB-1562 e l'RB-1572 viene fornito in dotazione il relativo cavo di alimentazione AC. Collegare l'unità alla presa di alimentazione solo con il cavo che viene fornito o con uno equivalente. Non utilizzate prolunghie. Può essere utilizzata una presa multipla, assicurandosi che sia dimensionata per sopportare la corrente richiesta dal amplificatore.

Assicuratevi che l'interruttore principale  sul pannello frontale dell'amplificatore sia in posizione "OFF". Quindi inserite il cavo fornito in dotazione nell'apposita presa AC  sul retro dell'apparecchio e successivamente inserite l'altro capo del cavo nella presa di alimentazione di rete AC.

Il vostro amplificatore è configurato dalla fabbrica per funzionare alla tensione di alimentazione appropriata del paese in cui l'avete acquistato (USA: 120volt/60Hz; Europa: 230 volt/50Hz). La tensione di alimentazione AC impostata è indicata su un adesivo posto sul retro del vostro apparecchio.

Nota: Nel caso in cui dobbiate spostare il vostro amplificatore in un altro paese, è possibile configurarlo per l'utilizzo con una tensione differente. Non tentate di effettuare questa operazione da soli, l'apertura del cabinet dell'amplificatore potrebbe esporvi a tensioni pericolose. Consultate un tecnico autorizzato o il servizio assistenza Rotel per maggiori informazioni.

Il cavo di alimentazione dovrebbe essere scollegato dalla presa se l'apparecchiatura rimane inutilizzata per un periodo piuttosto lungo.

Interruttore di accensione e LED indicatore

L'interruttore di accensione si trova sul pannello frontale. Per attivare l'amplificatore (o per attivare una delle modalità di accensione automatica opzionale), premetelo. L'anello attorno l'interruttore si accenderà, indicando lo stato di attivazione dell'amplificatore. Per spegnere l'amplificatore, premete nuovamente il tasto che tornerà in posizione di riposo.

Indicatori di protezione

Una protezione termica protegge l'amplificatore da danni conseguenti a condizioni di funzionamento estreme o inadeguate. Diversamente da altri prodotti, il circuito di protezione dei RB-1562 e RB-1572 è indipendente dal segnale audio e non ha nessuna influenza sulle prestazioni sonore: il circuito di protezione tiene sotto controllo la temperatura degli stadi finali e disattiva l'amplificatore se la temperatura si alza oltre i limiti di sicurezza.

Inoltre gli amplificatori sono dotati di una protezione contro gli sbalzi di corrente che interviene solo quando l'impedenza del carico si abbassa troppo.

Nel caso si verifichi una condizione di guasto, l'amplificatore smette di riprodurre il segnale ed il LED Protection sul pannello frontale si illumina.

Se questo accade, spegnete l'amplificatore, lasciatelo raffreddare alcuni minuti, e provate ad individuare e risolvere il problema. Quando riaccendete l'amplificatore, il circuito di protezione si ripristinerà automaticamente ed il LED Protection si spegnerà.

Nella maggior parte dei casi, il circuito di protezione si attiva in seguito ad una condizione di guasto dovuta ad un corto circuito dei cavi dei diffusori o a causa di una ventilazione inadeguata che porta ad un surriscaldamento dell'amplificatore. In casi molto rari, può essere causato da una impedenza molto bassa o molto reattiva dei diffusori.


Nota: Il LED Protection si illumina anche quando viene utilizzato il sistema 12V Trigger e l'amplificatore è in modalità Standby.

Selettore modalità automatica accensione/spegnimento

Gli RB-1562 e RB-1572 possono essere accesi/spenti automaticamente attraverso il sistema "12V Trigger". Queste modalità sono selezionabili utilizzando il Selettore di modalità On/Off.

- Con il selettore in posizione OFF, l'amplificatore viene acceso e spento manualmente tramite l'interruttore posto sul pannello frontale.
- Con il selettore in posizione 12V TRIG, l'amplificatore si accende automaticamente quando rileva un segnale trigger 12V sul connettore di ingresso da 3.5mm "IN". L'interruttore POWER sul pannello frontale annulla questa funzione, deve essere in posizione ON per potere essere attivata. Mettendo l'interruttore su OFF si toglie l'alimentazione all'amplificatore, e si annulla questa modalità.

Ingresso ed uscita +12V Trigger

Il connettore indicato con la dicitura IN serve per collegare un cavo con connettore da 3.5mm che trasporta un segnale trigger +12V per attivare e disattivare l'amplificatore. Per utilizzare questa funzione, il selettore adiacente  deve essere posizionato su 12V TRIG (vedi sezione precedente). L'ingresso accetta qualsiasi segnale di controllo (AC o DC) da 3 a 30Volts.

Il connettore indicato con la dicitura: OUT, serve per collegare un altro cavo con connettore da 3.5mm per inviare il segnale 12V trigger ad altri componenti. Il segnale 12V in uscita è disponibile ogni qualvolta sia presente un segnale trigger 12V sull'ingresso IN.

Collegamenti di segnale in ingresso

Vedi figura 2

Gli RB-1562 e RB-1572 sono dotati di connessioni di ingresso standard RCA non bilanciate, come quelle utilizzate su quasi tutti i componenti audio. Vi è anche un ingresso RCA per ognuno dei due canali dell'amplificatore. Questi ingressi RCA accettano segnali audio da preamplificatori o processori surround. Raccomandiamo l'utilizzo di cavi audio di alta qualità per ottenere i migliori risultati.

Collegamento dei diffusori

Vedi figura 2

Gli RB-1562 e RB-1572 dispongono di due set di coppie di connettori per i diffusori per ogni canale.

Scelta dei diffusori

L'impedenza nominale del diffusore(i) da collegare ad ogni canale dell'amplificatore, dovrebbe essere non inferiore a 4 ohm.

Scelta dei cavi dei diffusori

Per collegare l'amplificatore ai diffusori utilizzate cavi isolati bipolari. La sezione e la qualità del cavo possono avere effetti udibili sulla qualità della riproduzione del sistema: potete utilizzare dei cavi standard per diffusori, ma potrebbero dare luogo ad una uscita di basso livello o ad una risposta alle basse frequenze inadeguata, in particolar modo con cavi molto lunghi. In generale, dei cavi di buona qualità miglioreranno il suono. Se volete ottenere le migliori prestazioni, dovrete considerare l'acquisto di cavi per diffusori di alta qualità; il vostro rivenditore Rotel potrà aiutarvi nella scelta dei cavi adatti al vostro sistema.

Polarità e fase

La polarità, o orientamento positivo/negativo, dei collegamenti di ogni diffusore ed amplificatore deve sempre essere rispettata, in modo che tutti i diffusori siano in fase. Se la polarità di una connessione viene erroneamente invertita, la riproduzione delle basse frequenze sarà molto debole e l'immagine stereo risulterà degradata. Tutti i cavi per diffusori sono contrassegnati in modo da poterli identificare facilmente: solitamente su uno dei due cavi è presente una striscia colorata o un altro segno di riconoscimento simile; oppure, se l'isolante dei cavi è trasparente, i conduttori sono di colori diversi (uno di colore rame ed uno argento); oppure potrebbe essere indicata la polarità direttamente sull'isolante. Identificate i conduttori positivi e negativi e prestate attenzione ad ogni collegamento che effettuate sull'amplificatore e sui diffusori.

Collegamento dei cavi dei diffusori

Le due coppie di terminali dei diffusori di ogni canale del RB-1072 sono identificati con un codice a colori. Avendo due set di connettori per ogni canale si può effettuare facilmente il collegamento in bi-wiring. I connettori dei diffusori accettano: cavi spellati, terminali ad anello aperto e terminali di tipo "banana" (eccetto che per la Comunità Europea dove il loro uso non è consentito).

Stendete i cavi dal RB-1072 ai diffusori. Lasciate i cavi un po' più lunghi del necessario per darvi la possibilità di spostare i componenti ed accedere ai connettori dei diffusori.

Nota: Identificate i terminali per diffusori LEFT e RIGHT e collegate i vostri diffusori LEFT (sinistro) e RIGHT (destra) alle relative uscite. Prestate particolare attenzione se effettuate collegamenti in bi-wiring.

Se utilizzate connettori a banana, collegateli ai cavi e quindi inseriteli nei connettori sul pannello posteriore. Se utilizzate questi connettori il collare a vite dei terminali deve essere avvitato completamente (in senso orario).

Se state usando terminali ad anello aperto, collegateli ai cavi. Se collegate direttamente i cavi spellati ai terminali dei diffusori, separate i cavi, e quindi spellate i terminali dei cavi. Fate attenzione a non tagliare anche il cavo interno quando lo spellate. Svitare (in senso antiorario) i collari a vite. Posizionate i terminali ad anello aperto attorno al corpo del connettore, o il cavo spellato sul foro interno del connettore. Avvitare il collare in senso orario per bloccare il connettore ad anello aperto o il cavo.

Nota: Assicuratevi che non vi siano fili che fuoriescono dalla parte spellata del cavo, che potrebbero andare a toccare il cavo o il connettore adiacente.

Risoluzione dei problemi

La maggior parte dei problemi nei sistemi audio è dovuta a collegamenti non effettuati a dovere o sbagliati, o impostazioni di controllo errate. Se riscontrate problemi, isolate l'area interessata, verificate le impostazioni degli apparecchi, determinate la causa del problema ed apportate le necessarie correzioni. Se non siete in grado di fare funzionare il vostro amplificatore, prendete spunto dalle indicazioni sotto riportate:

Il LED indicatore Power sul pannello frontale non si accende

L'amplificatore non è alimentato; assicuratevi che il cavo di alimentazione AC sia inserito correttamente nel pannello posteriore e in una presa di alimentazione funzionante. Controllate l'interruttore sul pannello frontale, assicuratevi che sia in posizione ON. Se avete abilitato la modalità di attivazione automatica tramite segnale trigger 12V, assicuratevi che il segnale trigger 12V arrivi all'ingresso 12V TRIG IN sul pannello posteriore dell'amplificatore.

Nessun suono

Se l'amplificatore è alimentato correttamente, ma non viene emesso nessun suono, controllate i LED indicatori di protezione PROTECTION sul pannello frontale. Se sono accesi, andate al paragrafo successivo. Se non sono accesi, verificate tutti i collegamenti e le impostazioni dei componenti collegati all'amplificatore. Assicuratevi che le connessioni degli ingressi e dei diffusori siano adeguati alla configurazione del sistema.

Il LED indicatore Protection è acceso

Il LED Protection si accende quando è intervenuto il circuito di protezione dell'amplificatore. Normalmente, accade solo quando le aperture di ventilazione sono ostruite, quando c'è un errore nei collegamenti, o dopo un periodo di uso molto intenso. Spegnete l'amplificatore e lasciatelo raffreddare; quindi premete l'interruttore di accensione sul pannello frontale due volte per resettare il circuito di protezione. Se il problema non è risolto o si ripresenta immediatamente, potrebbe essere un problema interno all'amplificatore stesso.

Caratteristiche tecniche

Potenza continua (su 8 ohm, da 20-20 KHz, 0.03%)	
RB-1562	100W per canale
RB-1572	250W per canale
Distorsione armonica totale (20Hz-20kHz, 8 ohm)	<0.03%
Distorsione di intermodulazione (60Hz:7kHz, 4:1)	<0.03%
Risposta in frequenza (± 1 dB)	
RB-1562	10Hz-40 kHz
RB-1572	10Hz-80 kHz
Fattore di attenuazione (20-20.000Hz, 8 ohm)	
RB-1562	200
RB-1572	400
Impedenza diffusore	minimo 4 ohm
Rapporto segnale rumore (IHF pesato-A)	109 dB
Impedenza/sensibilità ingresso	
RB-1562	8.3Kohm/1.25V
RB-1572	8.3Kohm/1.5V
Guadagno	
RB-1562	27.2dB
RB-1572	27.1dB
Alimentazione	
USA	120 Volt, 60Hz
Europa	230 Volt, 50Hz
Consumo	
RB-1562	130 W
RB-1572	280 W
Dimensioni (LxAxP)	431 x 99 x 339 mm
Altezza pannello frontale	2U / 88.1 mm
Peso (netto)	
RB-1562	5.6kg
RB-1572	7.8kg

Tutte le caratteristiche sono esatte al momento della stampa. Rotel si riserva il diritto di apportare miglioramenti senza alcun preavviso.

Nota: Identificate i terminali per diffusori LEFT e RIGHT e collegate i vostri diffusori LEFT (sinistro) e RIGHT (destra) alle relative uscite. Prestate particolare attenzione se effettuate collegamenti in bi-wiring.

Se utilizzate connettori a banana, collegateli ai cavi e quindi inseriteli nei connettori sul pannello posteriore. Se utilizzate questi connettori il collare a vite dei terminali deve essere avvitato completamente (in senso orario).

Se state usando terminali ad anello aperto, collegateli ai cavi. Se collegate direttamente i cavi spellati ai terminali dei diffusori, separate i cavi, e quindi spellate i terminali dei cavi. Fate attenzione a non tagliare anche il cavo interno quando lo spellate. Svitare (in senso antiorario) i collari a vite. Posizionate i terminali ad anello aperto attorno al corpo del connettore, o il cavo spellato sul foro interno del connettore. Avvitare il collare in senso orario per bloccare il connettore ad anello aperto o il cavo.

Nota: Assicuratevi che non vi siano fili che fuoriescono dalla parte spellata del cavo, che potrebbero andare a toccare il cavo o il connettore adiacente.

Risoluzione dei problemi

La maggior parte dei problemi nei sistemi audio è dovuta a collegamenti non effettuati a dovere o sbagliati, o impostazioni di controllo errate. Se riscontrate problemi, isolate l'area interessata, verificate le impostazioni degli apparecchi, determinate la causa del problema ed apportate le necessarie correzioni. Se non siete in grado di fare funzionare il vostro amplificatore, prendete spunto dalle indicazioni sotto riportate:

Il LED indicatore Power sul pannello frontale non si accende

L'amplificatore non è alimentato; assicuratevi che il cavo di alimentazione AC sia inserito correttamente nel pannello posteriore e in una presa di alimentazione funzionante. Controllate l'interruttore sul pannello frontale, assicuratevi che sia in posizione ON. Se avete abilitato la modalità di attivazione automatica tramite segnale trigger 12V, assicuratevi che il segnale trigger 12V arrivi all'ingresso 12V TRIG IN sul pannello posteriore dell'amplificatore.

Nessun suono

Se l'amplificatore è alimentato correttamente, ma non viene emesso nessun suono, controllate i LED indicatori di protezione PROTECTION sul pannello frontale. Se sono accesi, andate al paragrafo successivo. Se non sono accesi, verificate tutti i collegamenti e le impostazioni dei componenti collegati all'amplificatore. Assicuratevi che le connessioni degli ingressi e dei diffusori siano adeguati alla configurazione del sistema.

Il LED indicatore Protection è acceso

Il LED Protection si accende quando è intervenuto il circuito di protezione dell'amplificatore. Normalmente, accade solo quando le aperture di ventilazione sono ostruite, quando c'è un errore nei collegamenti, o dopo un periodo di uso molto intenso. Spegnete l'amplificatore e lasciatelo raffreddare; quindi premete l'interruttore di accensione sul pannello frontale due volte per resettare il circuito di protezione. Se il problema non è risolto o si ripresenta immediatamente, potrebbe essere un problema interno all'amplificatore stesso.

Caratteristiche tecniche

Potenza continua (su 8 ohm, da 20-20 KHz, 0.03%)	
RB-1562	100W per canale
RB-1572	250W per canale
Distorsione armonica totale (20Hz-20kHz, 8 ohm)	<0.03%
Distorsione di intermodulazione (60Hz:7kHz, 4:1)	<0.03%
Risposta in frequenza (± 1 dB)	
RB-1562	10Hz-40 kHz
RB-1572	10Hz-80 kHz
Fattore di attenuazione (20-20.000Hz, 8 ohm)	
RB-1562	200
RB-1572	400
Impedenza diffusore	minimo 4 ohm
Rapporto segnale rumore (IHF pesato-A)	109 dB
Impedenza/sensibilità ingresso	
RB-1562	8.3Kohm/1.25V
RB-1572	8.3Kohm/1.5V
Guadagno	
RB-1562	27.2dB
RB-1572	27.1dB
Alimentazione	
USA	120 Volt, 60Hz
Europa	230 Volt, 50Hz
Consumo	
RB-1562	130 W
RB-1572	280 W
Dimensioni (LxAxP)	431 x 99 x 339 mm
Altezza pannello frontale	2U / 88.1 mm
Peso (netto)	
RB-1562	5.6kg
RB-1572	7.8kg

Tutte le caratteristiche sono esatte al momento della stampa. Rotel si riserva il diritto di apportare miglioramenti senza alcun preavviso.

Belangrijke Veiligheidsinstructies

WAARSCHUWINGEN: Laat u alstublieft het apparaat gesloten, er bevinden zich binnenin geen door u te bedienen of te herstellen onderdelen. Iedere reparatie dient door een gekwalificeerde technicus verricht te worden.

WAARSCHUWINGEN: Om het risico op elektrische schokken of brand te vermijden, moet u zorgen dat het apparaat niet nat wordt. Zet dus geen objecten gevuld met water, b.v. een vaas bloemen, op het apparaat. Zorg er ook voor dat er geen voorwerpen in de behuizing terecht kunnen komen. Mocht het apparaat toch nat zijn geworden of voorwerpen in de behuizing terecht zijn gekomen, ontkoppel dan meteen het toestel van het lichtnet en breng het naar een erkende audiotechnicus ter controle en/of eventuele reparatie.

Lees de gehele gebruiksaanwijzing. Voordat u met het apparaat gaat werken is het van groot belang dat u weet hoe u ermee om moet gaan en dat zo veilig mogelijk.

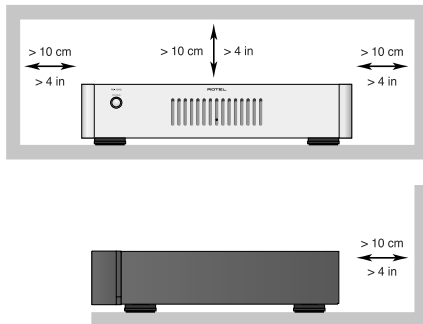
Bewaar deze gebruiksaanwijzing op een plek, die u zich na verloop van tijd nog weet te herinneren.

De waarschuwingen op het apparaat en in de gebruiksaanwijzing zijn belangrijk, sla ze niet in de wind.

Als het apparaat vuil wordt, stof het dan af met een zachte, droge doek, of maak gebruik van een stofzuiger. Gebruik nooit een oplosmiddel van welke soort dan ook.

Gebruik het apparaat niet op natte of vochtige plaatsen.

Het apparaat moet dusdanig gebruikt worden, dat een behoorlijke koeling niet in het gedrang komt. Laat om het apparaat minstens een ruimte van 10cm. vrij.



Gebruik het apparaat dus niet op: een bed, een sofa, een plaid of andere onregelmatige oppervlakken waardoor de ventilatiegaten geblokkeerd zouden kunnen worden. Ook het inbouwen in een te kleine ruimte kan een voldoende koeling in de weg staan.

Het apparaat moet verre gehouden worden van warmtebronnen zoals: radiatoren en kachels, maar ook van andere versterkers.

LET OP: Uiterst rechts op de achterzijde van het apparaat bevindt zich de lichtmetaansluiting. Zorg ervoor dat het apparaat zo is opgesteld dat u er te allen tijde bij kunt.

Het apparaat mag alleen aangesloten worden op het voltage, zoals aangegeven op de achterzijde. Hier in de Benelux 230V/50Hz.

Het apparaat dient alleen aangesloten te worden middels de bijgeleverde netkabel of een soortgelijk. Doe in ieder geval nooit iets met het netsnoer. Doe ook geen pogingen om de aarding of polariteit van het apparaat te wijzigen en gebruik geen verlengkabels.

De lichtnetstekker van het apparaat kan losgekoppeld worden. Om er echter zeker van te zijn dat hij echt losgekoppeld is, kunt u beter het lichtnetsnoer uit het muurcontact halen. Het stand-by lampje is uit om u te tonen dat de versterker werkelijk van het lichtnet is verwijderd.

De lichtnetkabel dient zo neergelegd te worden, dat hij niet in het looppad ligt of geklemd kan worden tussen scherpe voorwerpen. Vooral de aansluitpunten zijn belangrijk: de aansluiting op de wandcontactdoos en daar waar de kabel op het apparaat wordt aangesloten.

Wanneer het apparaat voor langere tijd niet gebruikt wordt en tijdens onweer, dient de lichtnetkabel uit het lichtnet verwijderd te zijn.

Gebruik alleen die accessoires die door de fabrikant aanbevolen worden.

Plaats het apparaat op een vast plat oppervlak, sterk genoeg om zijn gewicht te dragen. Vermijd verrijdbare instabiele opzetmeubels.



Het apparaat zal in service gegeven moeten worden wanneer één van de volgende situaties zich voordoet:

- Wanneer het netsnoer en/of stekker beschadigd zijn.
- Wanneer er toch voorwerpen/vloestof in het apparaat terecht zijn gekomen.
- Als het apparaat in de regen heeft gestaan.
- Als het apparaat niet normaal functioneert of een duidelijk afwijkend gedrag vertoont.
- Wanneer het apparaat gevallen is en/of de kast beschadigd is.



Dit symbool is er om u erop te wijzen dat er binnenin het apparaat plaatsen zijn waar het voor u gevaarlijk toeven is.



Dit symbool is er om u erop te wijzen dat het zeer belangrijk is de instructies over bediening en onderhoud volgens deze gebruiksaanwijzing op te volgen.

Rotel Producten worden zo ontworpen dat zij voldoen aan de internationale regels betreffende de beperking van milieuvriendelijke grondstoffen die gebruikt kunnen worden in elektrische en elektronische apparatuur. Het symbool met de vuilcontainer met het kruis erdoor betekent voor u dat u, wanneer u dit apparaat wilt afvoeren, dit moet doen volgens de regels die daarvoor hier gelden.



Dit symbool wil zeggen dat het betreffende apparaat dubbel geaard is. Een separate aarding is dus overbodig.



Inhoud

Figuur 1: De bedieningsorganen en de aansluitingen	3
Figuur 2: De in- en uitgangsverbindingen	4
Héél belangrijk	5
Belangrijke Veiligheidsinstructies	28
Wij van Rotel	29
Hoe zit het nou met die "Watten"?	29
Aan de slag met de RB-1562/1572	30
Gebruikseigenschappen	30
Een paar voorzorgsmaatregelen	30
Een plek voor de versterker	30
Het aansluiten op het Lichtnet en de Bediening	30
De lichtnet aansluiting [7]	30
De aan/uitschakelaar met bijbehorende indicator [1]	30
Het beveiligingslampje [2]	30
De automatische aan/uit keuzeschakelaar [3]	31
De "+12V Trigger" in- en uitgang [4]	31
De Beveiligingsaanduiding [2]	31
Het aansluiten van de ingangen [6]	31
De Luidsprekeruitgangen	31
De luidsprekerkeuze	31
De luidsprekerkabelkeuze	31
Alles in fase	31
Het aansluiten van de luidsprekers [5]	31
Wat te doen bij problemen?	32
De lichtnetindicator werkt niet	32
Geen geluid	32
De beveiligingsindicator licht op	32
Technische gegevens	32

Wij van Rotel

Onze geschiedenis begon bijna 50 jaar geleden. Gedurende die tijd mochten we honderden onderscheidingen ontvangen en hebben we honderdduizenden mensen, die hun thuisamusement serieus nemen – zoals u - gelukkig kunnen maken.

Rotel werd opgericht door een familie met een gepassioneerde betrokkenheid bij muziek, die hen leidde tot het produceren van geluidsapparatuur van onberispelijke kwaliteit. In de loop der jaren is die passie onveranderd gebleven en het familiedoel om audiofielen en muzikliefhebbers, ongeacht hun budget, topkwaliteit te bieden, wordt nog steeds door iedere Rotel-medewerker gesteund.

Rotel's technici werken als een hecht team al tweakend en luisterend totdat ieder nieuw product dat muzikale niveau heeft bereikt, dat hun bij de aanvang van het project voor ogen stond. Zij worden volkomen vrijgelaten in hun keuze van componenten, waar ze ook op de wereld vandaan moeten komen. In Rotel apparatuur kunt u condensatoren tegenkomen uit Duitsland en Engeland, of half geleiders uit Amerika en Japan. De ringkerntransformatoren komen echter altijd uit eigen huis.

We maken ons allemaal zorgen over het milieu. Daar er steeds meer elektronica-producten worden gefabriceerd en ook later weer worden afgedankt, is het voor een fabrikant van het grootste belang om er alles aan te doen, producten te vervaardigen die een zo min mogelijk negatieve impact hebben op natuur en grondwater.

Bij Rotel zijn we er trots op ons steentje te kunnen bijdragen. We hebben bijvoorbeeld het aandeel lood in onze elektronica aanzienlijk teruggebracht door over te stappen op een speciaal ROHS (Restriction of Hazardous Substances) soldeer, terwijl wij onze klasse D (niet de D van digitaal) versterkers vijfmaal zo efficiënt gemaakt hebben t.o.v. onze vroegere ontwerpen, met handhaving van vermogen en prestatie. Ze blijven koel, vermorsen vrijwel geen energie meer, zijn dus minder belastend voor het milieu en klinken nog beter ook!

Tussen twee haakjes, deze handleiding is gedrukt op hergebruikt papier.

Wij realiseren ons dat dit de eerste stapjes zijn, maar ze zijn voor ons zeer belangrijk en we blijven nieuwe wegen en materialen zoeken voor een schonere en meer "groene" productiewijze,

Door de aanschaf van dit product danken wij u voor het in ons gestelde vertrouwen en wensen wij u er veel en langdurig plezier mee.

Hoe zit het nou met die "Watten"?

Het uitgangsvermogen van de RB-1562 en RB-1572 versterkers wordt opgegeven als xx en xx Watts per kanaal, terwijl alle kanalen op vol vermogen functioneren.

Rotel heeft ervoor gekozen het vermogen op deze wijze te specificeren, omdat het de ervaring is dat, dat de meest waarheidsgetrouwe weergave van de vermogensprestaties van een versterker of receiver is.

Als u de specificaties van de diverse producten met elkaar vergelijkt, zult u ontdekken dat de vermogensgegevens meestal op andere en verschillende wijzen worden vermeld.

Zo kan, bij voorbeeld, het vermogen opgegeven worden tijdens het functioneren van slechts één kanaal, waardoor de cijfers ineens veel hogere waarden aangeven. Als Rotel op deze wijze het vermogen van de RB-1562 en de RB-1572 zou opgegeven, dus voor slechts één kanaal, zou deze versterker ineens 25 tot 30% meer vermogen leveren, bij dezelfde vervorming en luidsprekerimpedantie.

De hoogte van de impedantie van een luidspreker betekent de elektrische weerstand of belasting voor de aangesloten versterker, meestal 8Ω (Ohm) of 4Ω. Hoe lager de impedantie des te meer vermogen zal de versterker moeten leveren. In essentie vraagt een 4Ω luidspreker tweemaal zoveel vermogen als een 8Ω luidspreker.

Dus ideaal gesproken moet een versterker met een aangesloten luidspreker van 4Ω tweemaal zoveel vermogen leveren. Het opgegeven vermogen van 100 Watts bij een 8Ω belasting, moet dus 200 Watts zijn bij een luidspreker van 4Ω. Nog lagere impedanties zullen nog meer van een voeding eisen, omdat er dan weer meer stroom getrokken wordt, waardoor ook weer meer hitte afgegeven zal worden.

Rotel versterkers echter zijn ontworpen om met luidsprekers te werken tussen 4Ω en 8Ω op vol vermogen en met alle kanalen tegelijk aangestuurd. Omdat een Rotel-opzet te allen tijde is ontworpen om te functioneren met alle beschikbare kanalen tegelijk in bedrijf, is Rotel instaat om bij deze versterker het reële vermogen op te geven voor beide kanalen.

Deze opzet kan erg belangrijk zijn voor uw luisterplezier. Als u van een film aan het genieten bent, is het fijn om te weten dat de versterker op alle kanalen tegelijk, het volle vermogen kan leveren, vooral als er een vulkaan op uitbarsten staat!

Aan de slag met de RB-1562/1572

Wij danken u voor de aankoop van onze RB-1562 of RB-1572 stereo-eindversterker. Wij zijn ervan overtuigd, dat de muziek d.m.v. deze versterker ten gehore gebracht, voor u een jarenlange bron van plezier zal zijn.

De RB-1562 en de RB-1572 is een hoogontwikkelde tweekanalen eindversterkers, voor het verrichten van zeer hoge prestaties in een audioketen. Digitale versterkertechniek, een schakelende voeding, eerste klas onderdelen en natuurlijk Rotel's "Balanced Design" concept staan borg voor een excellente geluidskwaliteit. Bovenstaande kenmerken maken de RB-1562 of de RB-1572 tot de ideale kompaan voor moeilijk aan te sturen luidsprekereenheden.

De RB-1562 en RB-1572 zijn in principe hetzelfde, ze verschillen alleen qua vermogen. In deze gebruiksaanwijzing wordt de RB-1562 het meest genoemd, de RB-1572 functioneert echter volkomen op dezelfde wijze.

Gebruikseigenschappen

- Twee versterkeruitgangen.
- Twee door gebruiker zelf in te stellen aan/uitschakelmogelijkheden: handmatig of d.m.v. een 12 volts "trigger" signaal.
- Beveiligingscircuit met aanduiding op de voorkant.
- Dubbele luidspreker aansluitingen.

Een paar voorzorgsmaatregelen

Leest u vooral goed de gebruiksaanwijzing. Er staat behalve over het installeren en de bediening, belangrijke informatie in over de verschillende manieren waarop u de versterker in uw installatie kan inpassen, alsmede algemene richtlijnen om het maximale uit uw audio-installatie te halen. Mocht u, ondanks onze pogingen om het u zo duidelijk mogelijk te maken, toch nog vragen hebben aarzel dan niet om met uw Rotel-dealer contact op te nemen: hij heeft vast en zeker de antwoorden.

Bewaar als het even kan de verpakking. Altijd handig bij een eventuele verhuizing of wanneer het apparaat opgestuurd moet worden voor reparatie, want er is geen betere bescherming tijdens transport dan zijn eigen doos.

Dit zijn Rotel's algemene garantievoorwaarden: 5 jaar op de elektronische onderdelen, 2 jaar op de mechanische onderdelen en 1 jaar op een laserunit. Voor het claimen van garantie moet u wel in het bezit zijn van de originele aankoopfactuur. De garantie is niet overdraagbaar.


Een plek voor de versterker

De versterker produceert, ook onder normale omstandigheden, nogal wat warmte. De koel-ribben en de ventilatieopeningen zijn echter onder normale condities ruim voldoende om deze warmte adequaat te kunnen afvoeren. Zorg dat de versterker de ruimte heeft (± 10 cm. rondom). De ventilatieopeningen aan de bovenkant moeten vrij zijn en de lucht moet onbelemmerd langs de versterker kunnen stromen. Controleer of de plank waarop, of het meubel waarin u de versterker zet, het gewicht wel kan torsen.

Het aansluiten op het Lichtnet en de Bediening

De lichtmetaansluiting

Wij hebben het correcte netsnoer bij de versterker gedaan. Gebruik alleen dit snoer of een perfect equivalent. Gebruik NOOIT een verlengsnoer. U kunt een z.g. spanningsblok gebruiken, echter alleen als deze geschikt is voor de hoeveelheid stroom die de versterker uit het lichtnet trekt.

Zorg dat de versterker uitgeschakeld staat wanneer u het bijgeleverde netsnoer op de versterker  en op het lichtnet aansluit.

Uw versterker is ingesteld op het lichtnetvoltage van het land waarin hij gekocht is. In uw geval dus 230 volts. U kunt het ingestelde voltage controleren op de achterkant van het apparaat.

Extra informatie: Mocht u ooit moeten verhuizen naar een land met een ander voltage, dan is de versterker op dat andere voltage in te stellen. Doe deze operatie NIET zelf, maar laat hem verrichten door uw Rotel-leverancier. Deze handelingen zijn voor een niet ingewijde niet geheel van gevaar ontbloeit.

Als u van plan bent om langdurig van huis te zijn, adviseren wij u uw gehele beeld en geluidsinstallatie (dus ook deze versterker) van het lichtnet te ontkoppelen.

De aan/uitschakelaar met bijbehorende indicator

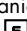
De aan/uitschakelaar vindt u op de voorkant van de versterker onder de aanduiding "POWER". Wanneer u de versterker aan wilt zetten (of om de automatische aan/uit functie te activeren) drukt u deze schakelaar in. Een ring rond deze schakelaar gaat nu aan ten teken dat de versterker aanstaat. Nogmaals deze schakelaar gebruiken zet het apparaat weer uit.

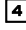
Het beveiligingslampje

Het lampje dat u een beetje verscholen in het midden van de versterker kunt zien, is de beveiligingsindicator. Wanneer de versterker oververhit raakt, of meer dan zijn maximale stroom moet leveren, wordt het beveiligingssysteem geactiveerd. De luidsprekers worden in deze situatie uitgeschakeld en het betreffende lampje gaat aan. Wanneer de normale werkomstandigheden weer hersteld zijn, zal de versterker weer uit zichzelf gaan spelen.

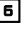
Extra informatie: Het beveiligingslampje gaat ook branden als het 12V aanschakelsysteem (trigger) wordt gebruikt en de versterker uitstaat (standby).

De automatische aan/uit keuzeschakelaar

Er zijn twee manieren om deze versterker aan/uit te zetten. U kunt met de schakelaar  op de achterkant van de versterker kiezen tussen de twee onderstaande opties.

- Met deze schakelaar in de uit ("OFF") positie, kunt u de versterker middels de schakelaar "POWER" op de voorkant met de hand aan- en uitzetten.
- Met deze schakelaar in de aan "ON" positie, wordt de versterker automatisch aangeschakeld wanneer er een 12 volt signaal op de 3.5mm "12 TRIG IN" aansluiting  komt te staan. Zodra dit 12V. signaal verdwijnt gaat de versterker weer uit. Deze "auto-aan/uit" functie werkt echter niet wanneer de "POWER" schakelaar op de voorkant van de versterker niet is ingedrukt.

De "+12V Trigger" in- en uitgang

Op de 3.5mm plugaansluiting gemerkt "IN" moet u een schakelsignaal van +12 volts zetten om de versterker op afstand aan en uit te kunnen schakelen. Om deze functie te kunnen gebruiken moet de betreffende schakelaar  in de "ON" positie gezet worden. Deze functie werkt op zowel gelijk- als wisselspanning en mag variëren tussen 3 en 30 volts.

De 3.5mm aansluiting gemerkt "OUT" is om dit schakelsignaal door te kunnen sturen naar een ander component dat op dezelfde wijze aan/uitgeschakeld kan worden. Op deze aansluiting staat alleen een 12 volts signaal als ook op de aansluiting "IN" een 12 volts signaal staat.

De Beveiligingsaanduiding

De RB-1562 en de RB-1572 zijn uitgerust met een thermische beveiliging, welke de versterkers behoedt voor schade veroorzaakt door foutief of extreem gebruik. Dit beveiligingscircuit werkt niet, zo-als bij vele andere versterkers, afhankelijk van het signaal, dus heeft het geen invloed op de geluidsweergave. De beveiliging houdt continu de temperatuur in de gaten en schakelt de versterker uit wanneer deze te heet wordt.

Bovendien heeft deze versterker een stroombeveiligingscircuit dat hem beschermt tegen te lage luidsprekerimpedanties.

Mocht deze alarmsituatie zich voordoen, dan stopt de versterker met het produceren van geluid en de beveiligingsindicator gaat branden.

Gebeurt dit, schakel de versterker dan uit, laat hem gedurende enkele minuten afkoelen en probeer er ondertussen achter te komen wat de oorzaak van het probleem zou kunnen zijn en herstel de fout. Wanneer u nu de versterker weer aanzet, zal het beveiligingscircuit zichzelf herstellen en gaat de indicator weer uit.

In de meeste gevallen wordt het beveiligingscircuit geactiveerd door een foutieve aansluiting, b.v. sluiting in de luidsprekerbedrading, of slechte ventilatie bij een oververhitte situatie. Slechts in uitzonderlijke gevallen zal de impedantie (extreem laag) of de inductie (extreem hoog) van een luidspreker de oorzaak zijn van het ingrijpen van het beveiligingscircuit.

Het aansluiten van de ingangen

Zie figuur 2

De RB-1562 en RB-1572 sluit u aan, zoals alle huiskamercomponenten, middels kabels met de bekende cinchpluggen. Er is één aansluiting voor elk van de twee versterkertrappen. Deze ingangen zijn bedoeld om te werken met signalen afkomstig van een voorversterker of een z.g. "surroundprocessor". Gebruik als het even kan kwaliteits verbindingskabels.

De Luidsprekeruitgangen

Zie figuur 2

De RB-1562 en de RB-1572 hebben twee stel dubbele luidsprekeraansluitingen per kanaal.

De luidsprekerkeuze

De nominale impedantie van iedere op deze versterker aan te sluiten luidspreker mag niet minder zijn dan 4Ω.

De luidsprekerkabelkeuze

Om de volledige potentie van deze versterker te kunnen beleven adviseren wij u hoge kwaliteit luidsprekerkabel te gebruiken. Standaard tweedradig draad werkt wel, maar, en u kunt dat geloven of niet, de kwaliteit van de kabel is echt van grote invloed op de totale prestaties van uw installatie, vooral bij grotere lengtes. Informeer eens bij uw Rotel leverancier over de diverse mogelijkheden voor uw systeem.

Alles in fase

Het is niet alleen belangrijk dat u de luidsprekers met de juiste kanalen verbindt, (hiermee bedoelen wij links aan links en rechts aan rechts), maar ook dat u ze correct aansluit t.o.v. het signaal. Kortom, de luidsprekers moeten "in fase" worden aangesloten. Zorg ervoor dat de + (rood) van de speaker aan de + van de versterker is aangesloten en dus de - (zwart) van de speaker aan de - van de versterker. Bij goede luidsprekerkabel is, om het u gemakkelijk te maken, de fase meestal aangeduid middels een tekst die op één van de twee aders is afgedrukt, of één van de twee geleiders is gemerkt met een kleur. Als u die tekst of kleur op alle kanalen als plus heeft aangehouden, dan weet u dat u het goed gedaan heeft. Controle is dan ook niet meer noodzakelijk.

Het aansluiten van de luidsprekers

De versterker heeft twee stel dubbele luidsprekeraansluitingen, twee stel voor elke eindtrap. Door deze tweevoudige aansluitingen wordt u in staat gesteld uw luidsprekers (indien mogelijk) dubbel aan te sluiten, het z.g. "bewiren". Degenomde connectoren kunnen aangesloten worden met kaal gestripte kabel, middels de bekende kabelvorkjes en met banaanpluggen, hoewel de laatste mogelijkheid binnen de Europese gemeenschap (officieel) niet mag.

Gebruik genoeg kabel om eventueel bij calamiteiten de luidsprekers of de versterker te kunnen verschuiven.

Extra informatie: Let u er goed op dat u de linker luidspreker op links (LEFT) en de rechter luidspreker op rechts (RIGHT) aansluit. Dat is vooral belangrijk wanneer u de luidsprekers dubbel (bewired) wenst aan te sluiten.

Als u tegen alle community-regels in toch banana-pluggen wilt gebruiken, moet u de draaipluggen van de versterker wel eerst helemaal indraaien.

Het beste is om verbindingsvorkjes voor de luidsprekeraansluitingen te gebruiken. Wilt u echter de kabels direct aan de luidsprekeruitgangen monteren strip dan de juiste hoeveelheid isolatie van de kabel zonder het draad zelf af te snijden en steek deze dan door het gat van de verbindingssas nadat u de draaipluggen heeft losgedraaid. Draai deze dan vervolgens weer goed vast.

Extra informatie: Let er vooral goed op dat er geen verdwaalde draadjes van de ene luidsprekeruitgang de andere uitgang kunnen raken!

Wat te doen bij problemen?

De meeste problemen in geluidsinstallaties zijn het gevolg van slechte aansluitingen of het verkeerd gebruik van de knoppen en toetsen. Als u problemen tegenkomt probeer ze dan te lokaliseren: check eerst de bedieningsorganen maak eventueel de juiste correcties. Komt u er dan nog niet uit, probeer dan de onderstaande suggesties:

De lichtnetindicator werkt niet

Het is duidelijk: uw versterker ziet het lichtnet niet. Controleer of de aan/uitschakelaar "POWER" wel ingedrukt is en controleer tevens of de lichtnetkabel wel goed en stevig is aangesloten. Check ook even of er wel een +12 volts signaal staat op de "12V. TRIGGER IN" plug, wanneer u deze wijze van aan/ uitschakelen gebruikt.

Geen geluid

De lichtnetindicator brandt wel, maar jammer genoeg weinig welluidende klanken. Controleer eerst of de beveiligingsindicatie op de voorkant brandt. Is dat inderdaad het geval, handel dan als onderstaand. Zo niet, check dan alle verbindingen en of de toetsen, schakelaars en knoppen van de andere apparatuur wel correct staan.

De beveiligingsindicator licht op

Als de beveiligingsindicator oplicht is er iets loos. Er zijn nu drie mogelijkheden: de ventilatiegaten bovenop de versterker worden geblokkeerd met als gevolg oververhitting, er heerst kortsluiting bij de luidsprekeruitgangen of er is een tijd lang extreem met de versterker aan de gang gegaan. Zet de versterker eerst uit, check dan de eerste twee mogelijkheden. De derde mogelijkheid weet u zelf het best. Wacht een paar minuten om de versterker af te laten koelen. Zet de versterker aan en meteen weer uit om het beveiligingscircuit de gelegenheid te geven zich te herstellen. Als u vervolgens de versterker weer aanzet moet het probleem zijn opgelost. Doet hij het nu nog niet, dan is het tijd om contact met uw leverancier op te nemen.

Technische gegevens

Vermogensconfiguratie

RB-1562	2x100 Watts
RB-1572	2x250 Watts

Watts per kanaal

(beide kanalen functionerend, met 20 kHz. filter, 20 – 20.000 Hz., <0,03% THD aan 8Ω)

RB-1562	100 Watts
RB-1572	250 Watts

Totale harmonische vervorming (20-20.000 Hz. 8Ω)

continu topvermogen	< 0,3%
half vermogen	< 0,3%
één watt per kanaal	< 0,3%

Intermodulatie vervorming (60 Hz : 7 kHz., 4 : 1)

	< 0,3%
--	--------

Dempingsfactor (8Ω)

RB-1562	200
RB-1572	400

Versterkingsfactor

RB-1562	27.2dB
RB-1572	27.1dB

Ingangsgoedigheid/Impedantie

RB-1562	1.25V/8.3kΩ
RB-1572	1.5V/8.3kΩ

Frequentiebereik (±1dB)

RB-1562	10Hz – 40kHz
RB-1572	10Hz – 80kHz

Signaal/ruisverhouding (IHF, A netwerk)

	109dB
--	-------

Lichtnetspanning

VS	120V. 60Hz.
EU	230V. 50Hz.

Vermogensopname

RB-1562	130 Watts
RB-1572	280 Watts

Afmetingen (bxhxd)

431x99x339mm.

Hoogte van het voorpaneel i.v.m. rackmontage	2U / 88.1mm.
Netto gewicht	
RB1562	5.6kg
RB1572	7.8kg

Gegevens en ontwerp zijn voorbehouden.

Rotel houdt zich het recht voorbehouden om zonder mededeling vooraf verbeteringen aan te brengen.

Viktiga säkerhetsinstruktioner

VARNING: Det finns inga delar inuti som kan lagas av användaren. Anlita alltid en behörig servicetekniker för all service.

VARNING: För att undvika risk för elektriska stötar och brand, utsätt inte apparaten för vatten eller fukt. Ställ aldrig föremål som kan läcka eller droppa vatten, till exempel blomkrukor, i närheten av apparaten. Se till att inga föremål kommer in i apparaten. Om apparaten utsätts för fukt eller väta, eller om eller om främmande föremål kommer in i den, dra omedelbart ur nätkabeln ur vägguttaget. Lämna sedan in apparaten till en behörig servicetekniker för översyn och eventuell reparation.

Läs alla instruktioner innan du ansluter eller använder apparaten.

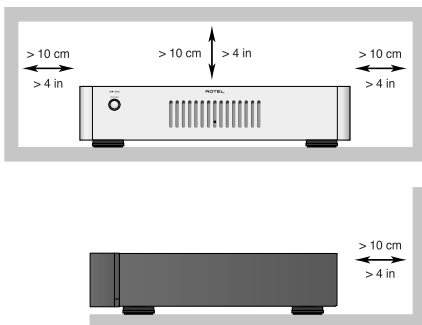
Behåll denna instruktionsbok så att du kan studera dessa säkerhetsinstruktioner.

Följ alla varningar och säkerhetsföreskrifter i instruktionsboken och på själva apparaten. Följ alltid alla användarinstruktioner.

Använd bara en torr trasa eller dammsugaren när du ska rengöra apparaten.

Använd inte den här enheten i närheten av vatten.

Se till att det alltid finns minst 10 cm fritt utrymme runt apparaten. Ställ inte apparaten på en säng, soffa, matta eller liknande yta som kan blockera ventilationshålen. Om apparaten placeras i en bokhylla eller i ett skåp, måste det finnas utrymme för god ventilation.



Placera inte apparaten nära element eller andra anordningar som alstrar värme.

VARNING: Huvudströmmen stängs av genom att man kopplar loss nätkabeln från anslutningen på baksidan. Apparaten måste placeras på en plats där man enkelt kommer åt kabelanslutningen.

Apparaten måste anslutas till ett vägguttag som motsvarar specifikationerna som anges på apparatens baksida. (USA: 120 V/60 Hz, Europa: 230 V/50 Hz)

Anslut endast apparaten till vägguttaget med den medföljande nätkabeln eller en exakt motsvarighet. Modifiera inte den medföljande nätkabeln. En ojordad kontakt har endast två metallstift. En jordad kontakt har även två metallbleck på varje sida. Dessa finns där för din säkerhet. Ändra inte jord eller polaritet.

Om kontakten på nätkabeln som medföljer inte passar i ditt vägguttag, anlita en elektriker för att ersätta det gamla uttaget. Använd inte någon förlängningskabel. Apparaten stängs av genom att huvudkontakten på nätkabeln kopplas ur. För att helt koppla bort strömmen från apparaten, koppla ur nätkabeln från nätspänningsuttaget. Lysdioden för vänteläge lyser inte när nätkabeln är urkopplad.

Placera ej kabeln där den kan bli skrapad, klämd, böjd, utsatt för värme eller skadad på något sätt. Var extra nog med att inte skada kabeln vid kontakterna i kabelns ändrar.

Nätkabeln ska kopplas ur vägguttaget under åskväder eller om apparaten inte ska användas under en längre tid.

Använd endast tillbehör som rekommenderas av tillverkaren.

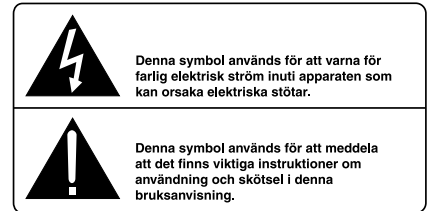
Använd endast med en bänk, ett stativ, ett rack, en konsol eller en hylla som rekommenderats av Rotel. Var försiktig när du flyttar enheten i ett stativ eller ett rack så att du inte skadar dig ifall anläggningen tippas.



Använd klass 2-kablar till högtalaranslutningen för att minimera risken för elektriska stötar och för att se till att installationen blir säker.

Sluta omedelbart att använda apparaten och lät en behörig servicetekniker kontrollera den om

- nätkabeln eller kontakten har skadats.
- främmande föremål eller vätska har kommit in i apparaten.
- apparaten har utsatts för regn.
- apparaten visar tecken på felaktig funktion
- apparaten har tappats eller skadats på något sätt.



Rotels produkter är utformade för att följa de internationella direktiven RoHS (Restriction of Hazardous Substances) och WEEE (Waste Electrical and Electronic Equipment) som behandlar hur uttjänta och elektroniska produkter tas om hand. Symbolen med den överkorsade soptunnan innebär att produkterna måste återvinnas eller tas om hand enligt dessa direktiv.



Denna symbol betyder att apparaten är dubbelisolerad och inte behöver jordas.



Innehåll

Figur 1: Kontroller och anslutningar	3
Figur 2: In- och utgångar	4
Viktigt	5
Viktiga säkerhetsinstruktioner	33
Om Rotel	34
Några ord om watt	34
Introduktion	35
Funktioner	35
Att tänka på	35
Placering	35
Ström och strömfunktioner	35
Ström 7	35
Strömbrytare och indikator 1	35
Skyddsindikator 2	35
Lägesväljare för Av/På 3	36
In- och utgångar för +12 V-styrsignal 4	36
Anslutningar för signaler 6	36
Högtalaranslutningar	36
Val av högtalare	36
Val av högtalarkabel	36
Polaritet och fas	36
Anslutning av högtalarkablar 5	36
Felsökning	37
Frontens strömindikator lyser inte	37
Inget ljud hörs	37
Skyddsindikatorn lyser	37
Specifikationer	37

Om Rotel

Vår historia började för nästan 50 år sedan. Genom decennierna har vi tagit emot hundratals priser för våra produkter och gjort hundratalsentals människor nöjda, människor som tar sin underhållning på allvar – precis som du!

Rotel grundades av en familj med ett passionerat intresse för musik. Detta ledde till en egen tillverkning av hifi-produkter med en kompromisslös kvalitet. Genom åren har denna passion för musik, som delas av hela Rotels personal, varit förminskad, och målet har alltid varit att tillverka prisvärda produkter för både audiofiler och musikälskare, vilken budget de än har.

Rotels ingenjörer arbetar i team och har ett nära samarbete. Tillsammans lyssnar de på och finslipar varje produkt tills den når upp till Rotels höga krav på kvalitet. De får välja komponenter från hela världen för att göra produkterna så bra som möjligt. I apparaterna hittar du ofta allt från brittiska och tyska kondensatorer till japanska och amerikanska halvledare, samt toroidaltransformatorer som tillverkas i Rotels egen fabrik.

Vi oroar oss alla för miljön, och allteftersom fler och fler elektronikprodukter tillverkas och sedan kasseras blir det allt viktigare för tillverkare att göra allt de bara kan för att ta fram produkter som har en så liten negativ inverkan på miljön som möjligt när de slutligen hamnar på sopstationen.

Vi på Rotel är stolta över att dra vårt strå till stacken. Vi har minskat blyinnehållet i vår elektronik genom att använda en särskild RoHS-kompatibel lödmetall, samtidigt som våra nya klass D-förstärkare (ej digitala) är upp till fem gånger effektivare än våra äldre konstruktioner, samtidigt som de fortfarande levererar kraft och prestanda. Dessa produkter är svala, ger ett minimum av energiförluster och är bra för miljön – samtidigt som de ger ett bättre ljud.

Slutligen har vi tryckt den här skriften på återvunnet papper.

Vi vet att det här bara är några små första steg, men det gör dem inte mindre viktiga. Och vi strävar hela tiden efter att finna nya metoder och material som kan ge en renare och miljövänligare tillverkningsprocess.

Alla vi på Rotel tackar dig för att du har köpt den här produkten. Vi är säkra på att den kommer att ge dig många års njutning och glädje.

Några ord om watt

Uteffekten för RB-1562 och RB-1572 anges till 100 respektive 250 watt för varje kanal när båda kanaler arbetar på full effekt samtidigt.

Rotel har valt att specificera uteffekten på det här sättet eftersom detta enligt vår erfarenhet ger det mest korrekta värdet på en receivers eller förstärkares effektkapacitet.

När man jämför olika produkters specifikationer bör man vara medveten om att uteffekt ofta specificeras på andra sätt, vilket gör att man egentligen kanske jämför olika typer av värden.

Till exempel kanske uteffekten anges då endast en kanal arbetar, vilket ger ett högre toppvärde. Om Rotel valde att ange uteffekten hos RB-1562 eller RB-1572 på det här sättet så skulle det angivna wattantalet vara 25–30 % högre för samma förvrängning och högtalarimpedans.

En högtalares impedansklassificering anger det elektriska motstånd eller den elektriska belastning som den utövar när den är ansluten till förstärkaren, vanligtvis 8 ohm eller 4 ohm. Ju lägre impedans en högtalare har, desto högre effekt kommer den att behöva. I praktiken innebär detta att en högtalare på 4 ohm kräver dubbelt så hög effekt som en högtalare på 8 ohm.

Idealet är alltså att förstärkaren ger dubbla effekten in i en belastning på 4 ohm – 100 angivna watt in i en belastning på 8 ohm skulle bli 200 watt in i 4 ohm. Högtalare med lägre impedans ställer högre krav på förstärkarens strömförsörjning eftersom den kommer att dra mer ström och avge mer värme.

Rotels förstärkare är dock konstruerade för att kunna arbeta med vilken högtalarimpedans som helst mellan 4 och 8 ohm, och med full effekt på samtliga kanaler. Eftersom vår förstärkarkonstruktion optimerats för att användas med alla kanaler igång samtidigt, så kan vi specificera den korrekta uteffekten för båda kanaler.

Detta kan även vara viktigt för att du ska kunna njuta av ljudet. När man ser på film är det härligt med en förstärkare som klarar av att ge full effekt på alla kanaler samtidigt, särskilt när det drar ihop sig till dånande vulkanutbrott!

Introduktion

Tack för att du köpt stereoslutsteget Rotel RB-1562 eller RB-1572. I en kvalitetsanläggning för musik eller hemmabio kommer den att ge dig många års musikalisk njutning.

RB-1562 och RB-1572 är sofistikerade tvåkanaliga slutsteg. Deras digitala förstärkarkretsar, switchade nätaggregat, förstklassiga komponenter och Rotels Balanced Design garanterar en mycket hög ljudkvalitet. Den kraftiga strömförsörjningen gör att RB-1562 och RB-1572 med lätthet klarar av tungdrivna högtalare.

RB-1562 och RB-1572 är i grund och botten identiska. Det enda som skiljer dem åt är uteffekten. I den här instruktionsboken är det oftast RB-1562 som avbildats, men RB-1572 fungerar på samma sätt.

Funktioner

- Två förstärkarkanalerna.
- Möjlighet till På/Av-konfigurering: manuell eller fjärrstyrd 12 volts styrsignal.
- Skyddskretsar med LED-indikator på fronten.
- Dubbla skruvterminaler för högtalaranslutning.

Att tänka på

Läs denna instruktionsbok noga. Utöver instruktioner om hur du installerar och använder slutsteget, får du även information om olika konfigurationer av systemet. Om du har några frågor är du alltid välkommen att kontakta din Rotel-återförsäljare. Alla vi på Rotel uppskattar dina frågor och synpunkter.

Spara kartongen och allt emballage till förstärkaren för framtida behov. Att skicka eller frakta förstärkaren i en annan förpackning kan skada den allvarligt.

Se till att du spar originalkvittot från köptillfället. Det är det bästa beviset för när du köpt apparaten, vilket kan vara viktigt i händelse av service- och garantianspråk.

Placering

Förstärkaren alstrar värme vid normal användning. Kylflänsarna och ventilationshålen är utformade för att leda bort den här värmen. Täck inte över ventilationshålen. Se till att det finns 10 cm fritt område runt om apparaten och att det finns utrymme för god ventilation så att den inte överhettas. Tänk också på förstärkarens vikt när du väljer placering. Se till att hyllan eller bänken som apparaten ställs på kan bära dess vikt.

Ström och strömfunktioner

Ström 7

Förstärkaren levereras med en korrekt nätkabel. Använd endast denna kabel eller en exakt motsvarighet. Använd inte någon förlängningskabel. Du kan använda en kraftig grendosa under förutsättning att den klarar de höga krav på strömtillförsel som förstärkaren ställer.

Försäkra dig om att strömbrytaren 1 på förstärkarens front är avstängd. Koppla sedan in den ena änden av kabeln i växelströmsuttaget på baksidan av förstärkaren. Koppla den andra änden i ett lämpligt vägguttag..

Din förstärkare är fabriksinställd för den nätspänning som används i det land där du köpte den (USA: 120 volt/60 Hz, Europa: 230 volt/50 Hz). Fabriksinställningen finns angiven på en etikett på apparatens baksida.

Obs: Om du flyttar till ett annat land går det att konfigurera om din förstärkare så att den passar för ett annat elnät. Försök inte att göra detta på egen hand. Om du öppnar förstärkaren riskerar du att få kraftiga stötar. Kontakta en behörig servicetekniker eller din Rotel-återförsäljare för mer information.

Om du kommer att vara bortrest under en längre tid är det en lämplig försiktighetsåtgärd att dra ut förstärkarens nätkabel medan du är borta.

Strömbrytare och indikator 1

Strömbrytaren är placerad på frontpanelen. För att slå på slutsteget (eller för att aktivera något av lägena för att automatiskt slå på slutsteget), tryck in strömbrytaren. Ringen runt brytaren börjar då lysa, vilket visar att slutsteget är påslaget. Slå av förstärkaren genom att trycka på strömbrytaren en gång till och därmed trycka ut den.

Skyddsindikator 2

Förstärkaren skyddas av säkrings- och värmekretsar mot extrem eller felaktig användning. Till skillnad från liknande konstruktioner är skyddskretsarna inte beroende av ljudsignalen och påverkar därför inte ljudkvaliteten. Säkringskretsarna känner i stället av temperaturen på utgångsenheterna och stänger av slutsteget om den blir för hög.

Förstärkarna har även ett skydd mot överbelastning som aktiveras om impedanslasten blir för låg.

Om något fel skulle uppstå slutar förstärkaren att spela på den felande kanalen och skyddsindikatorn 2 på fronten tänds.

Om detta händer stänger du av förstärkaren, låter den svalna i ett par minuter och försöker sedan lokalisera felet och rätta till det. När du sedan sätter på förstärkaren igen nollställs skyddskretsarna automatiskt och skyddsindikatorn bör slockna.

I de flesta fall aktiveras säkringskretsarna på grund av att ett fel uppstått. Det kan till exempel vara en kortsloten högtalarkabel eller otillräcklig ventilation som orsakar överhettning. I mycket sällsynta fall kan säkringskretsarna även aktiveras av högtalare med extremt låg impedans.


Obs: Lysdioden för skyddsläge tänds även när 12-voltsstyrsystemet används och förstärkaren är i viloläge.

Lägesväljare för Av/På

Slutsteget kan slås på och av automatiskt med hjälp av ett inbyggt 12-volts styrsystem. Lägesväljaren för Av/På används för att välja vilken metod som ska användas.

- Med väljaren i läge OFF (AV) slås slutsteget på och av manuellt med hjälp av strömbrytaren på fronten.
- Med omkopplaren i läge 12V TRIG, slås slutsteget på automatiskt när en 12-volts styrsignal når 3,5 mm minijack-uttaget IN. Frontpanelens STRÖMBRYTARE åsidosätter denna funktion. Strömbrytaren måste vara påslagen för att +12V-systemet ska fungera. Ställs strömbrytaren i läge OFF (AV) slås strömmen av oberoende av om slutsteget tar emot någon styrsignal eller inte.

In- och utgångar för +12 V-styrsignal

Ingången märkt "12V TRIG IN" används för att ansluta en styrsignal via en kabel som har 3,5-millimeters minijack-kontakter, som sedan styr om förstärkaren ska slås på eller av. För att använda den här funktionen måste omkopplaren  vara i läge "ON" (se föregående avsnitt). Ingången kan ta emot signaler på mellan 3 och 30 volt (likström eller växelström).

Utgången märkt "12V TRIG OUT" används för att ansluta ännu en 3,5 mm minijack-kabel som överför styrsignalen till andra apparater. Denna utsignal är bara tillgänglig om det finns en insignal ansluten till "12V TRIG IN"-ingången.

Anslutningar för insignaler

Se figur 2

RB-1562 och RB-1572 har ovanliga obalanserade RCA-kontakter av samma typ som man finner på nästan alla ljudutrustning. Det finns en RCA-ingång för var och en av de två förstärkarkanalerna. Dessa RCA-ingångar tar emot ljudsignaler från ett försteg eller en surroundljudsprocessor. Använd ljudkablar av hög kvalitet för bästa ljudåtergivning.

Högtalaranslutningar

Se figur 2

RB-1562 och RB-1572 har två par dubbla skruvterminaler för högtalaranslutning, ett par för varje förstärkarkanal.

Val av högtalare

Den nominella impedansen hos högtalarna som ansluts till varje förstärkarkanal bör inte understiga 4 ohm.

Val av högtalarkabel

Använd en skärmad, tvådelad högtalarkabel för att ansluta dina högtalare till förstärkaren. Högtalarkabelns storlek och kvalitet påverkar anläggningens ljudkvalitet. En standardkabel kan fungera, men kan också minska utsignalens styrka och dämpa basåtergivningen, särskilt i anläggningar med långa kablar. Rent allmänt fungerar grövre kablar bäst. För bästa resultat bör du överväga att skaffa högtalarkablar av hög kvalitet. Din Rotel-återförsäljare kan hjälpa dig att välja rätt kablar till din anläggning.

Polaritet och fas

När du ansluter högtalarkablarna måste du se till att polariteten blir rätt så att alla högtalare är i fas. Om polariteten i någon anslutning av misstag råkar bli omvänd, minskar basåtergivningen och stereoperspektivet försämras. Alla kablar är märkta så att du kan se vilken ledare som är vilken. Det kan till exempel finnas en färgmarkering eller en fasad kant på den enda ledaren, eller så kan kabeln vara genomskinlig och ha olika färger på själva ledarna (koppar och silver). Det kan också finnas polaritetsmarkeringar tryckta på kabelns isolering. Var konsekvent när du ansluter kablarna, och använd alltid samma markering för polaritet på högtalarna och på förstärkaren.

Anslutning av högtalarkablar

Förstärkaren har två par färgkodade terminaler för varje förstärkarkanal. Med två uppsättningar terminaler för varje kanal kan du enkelt ansluta kablarna via bi-wiring. Till högtalarterminalerna kan du ansluta avskalad kabel, spadkontakter eller banankontakter (förutom i EU där banankontakter inte är tillåtna).

Dra kablarna från förstärkaren till högtalarna. Se till att varje kabel är tillräckligt lång för att du ska kunna flytta komponenterna och komma åt anslutningarna på baksidan.

Obs: Försäkra dig om att höger (RIGHT) och vänster (LEFT) högtalarterminal ansluts korrekt till höger (RIGHT) och vänster (LEFT) högtalare. Var extra noggrann om du använder två uppsättningar kablar för att ansluta dina högtalare genom bi-wiring.

Om du använder banankontakter skruvar du på dem på högtalarkabeln och pluggar in dem i högtalarterminalerna. I det fall du använder banankontakter (ej inom EU), ska du se till att terminalhylsorna blir helt inskruvade medsols).

Om du använder spadkontakter fäster du dem på ledarna. Om du använder avskalad kabel direkt i högtalarterminalerna så separerar du ledarna och skalar av isoleringen. Var noga med att inte skala av själva koppartrådarna. Skruva sedan upp terminalhylsan (motsols) och anslut spadkontakten runt terminalen, eller trä den skalade kabeln genom terminalen. Skruva sedan fast terminalhylsan ordentligt.

Obs: Se till att det inte finns några lösa kabeltrådar som kan komma i kontakt med intilliggande kablar eller kontakter.

Felsökning

De flesta problem som kan uppstå i en anläggning beror på felaktiga anslutningar eller inställningar. Om du stöter på problem försöker du lokalisera felet och kontrollerar dina anslutningar. Försök hitta orsaken till felet och gör sedan de ändringar som behövs. Om du inte får något ljud ur slutsteget så kommer här ett par förslag på vad du kan göra:

Frontens strömindikator lyser inte

Slutsteget har inte någon ström. Kontrollera nätkabeln och alla anslutningar. Kontrollera strömbrytaren på fronten. Se till att den är i läge På. Om du använder en 12 volts styrsignal för att slå på strömmen, se till att slutsteget tar emot en styrsignal på baksidan i uttaget 12V TRIG IN.

Inget ljud hörs

Om slutsteget får ström, men inte ger ifrån sig något ljud, kontrollera skyddsindikatorn **Z** på fronten. Om dioden lyser, läs vidare i nästa stycke. Om den inte lyser, kontrollera alla anslutningar och inställningar på övriga komponenter i anläggningen. Försäkra dig om att anslutningar för insignaler och högtalare matchar systemets konfiguration.

Skyddsindikatorn lyser

Skyddsindikatorn **Z** (Protection) på fronten kommer att lysa om säkringskretsarna har stängts av slutsteget. Detta händer i normala fall bara om slutsteget har blivit överhettat, om du använder en felaktig högtalarkabel eller om det har använts extremt mycket. Stäng av anläggningen och låt slutsteget svalna ett tag. Tryck sedan in och ut strömbrytaren för att "nollställa" säkringskretsarna. Om problemet kvarstår eller återkommer så beror det på något fel i anläggningen eller i själva slutsteget.

Specifikationer

Kontinuerlig uteffekt (20–20 kHz, < 0,03 %, 8 ohm)	
RB-1562	100 watt/kanal
RB-1572	250 watt/kanal
Total harmonisk förvrängning (20 Hz–20 kHz, 8 ohm)	< 0,03%
Intermodulationsförvrängning (60 Hz: 7 kHz, 4:1)	< 0,03%
Frekvensomfång (± 1 dB)	
RB-1562	10 Hz – 40 kHz
RB-1572	10 Hz – 80 kHz
Dämpfaktor (20–20 000 Hz, 8 ohm)	
RB-1562	200
RB-1572	400
Högtalarimpedans (normalt läge)	minst 4 ohm
Signal/brusförhållande (IHF A)	109 dB
Ingångskänslighet/impedans	
RB-1562	1,25 V/8,3 kohm
RB-1572	1,5 V/8,3 kohm
Gain	
RB-1562	27,2 dB
RB-1572	27,1 dB
Strömförsörjning	
USA	115 volt, 60 Hz
Europa	230 volt, 50 Hz
Strömförbrukning	
RB-1562	130 watt
RB-1572	280 watt
Mått (B x H x D)	431 x 99 x 339 mm
Hoogte van het voorpaneel i.v.m. rackmontage	2U / 88.1 mm
Vikt (netto)	
RB-1562	5,6 kg
RB-1572	7,8 kg

Alla specifikationer är korrekta vid tryckningen.

Rotel reserverar sig rätten att göra framtida förbättringar utan vidare meddelande.

Важные инструкции по безопасности

ПРЕДОСТЕРЕЖЕНИЕ: Внутри нет частей, доступных для обслуживания пользователю. Доверьте обслуживание квалифицированному мастеру.

ПРЕДОСТЕРЕЖЕНИЕ: Для снижения опасности возгорания или поражения электрическим током не подвергайте данный аппарат воздействию дождя или влаги. Не допускайте попадания посторонних предметов внутрь корпуса. Если внутрь корпуса попала влага или посторонний предмет, немедленно выньте вилку шнура питания из розетки. Доставьте аппарат к квалифицированному специалисту для осмотра и возможного ремонта.

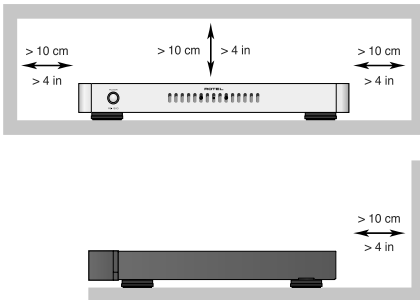
Прежде чем подсоединять аппарат и управлять им, прочтите все инструкции. Сохраните руководство по эксплуатации для дальнейшего использования.

Обращайте внимание на предостережения, указанные на корпусе аппарата и в данном руководстве. Управляйте аппаратом в соответствии с инструкциями.

Производите очистку корпуса только сухой тканью или пылесосом.

Не используйте это устройство вблизи воды.

Оставьте не менее 10 см свободного пространства вокруг аппарата для обеспечения циркуляции воздуха.



Не ставьте аппарат на кровать, диван, ковер или подобную мягкую поверхность, которая может загореть вентиляционные отверстия. Если аппарат встраивается в шкаф или другой корпус, этот корпус должен вентилироваться для обеспечения охлаждения аппарата.

Держите аппарат подальше от радиаторов отопления, обогревателей, печей и любых других устройств, выделяющих тепло.

ПРЕДОСТЕРЕЖЕНИЕ: Сетевой разъем на задней панели предназначен для быстрого отсоединения устройства от электрической сети. Устройство должно обеспечивать свободный доступ к задней панели, чтобы сетевой кабель можно было быстро выдернуть.

Сетевое напряжение, к которому подсоединяется аппарат, должно соответствовать требованиям, указанным на задней панели аппарата. (США: 120 В, 60 Гц, ЕС 230 В, 50 Гц)

Подсоединяйте компонент к питающей розетке только при помощи сетевого шнура из комплекта поставки, или его точного эквивалента. Не переделывайте поставляемый шнур. Поляризованный штекер имеет два ножевых контакта, один из которых шире другого. Заземляющий штекер имеет два ножевых контакта и третий заземляющий штырь. Они обеспечивают вашу безопасность. Не отказывайтесь от мер безопасности, предоставляемых заземляющим или поляризованным штекером. Если поставляемый штекер не подходит к вашей розетке, обратитесь к электрику для замены устаревшей розетки. Не используйте удлинители сетевого питания.

Основной штекер сетевого шнура является отключаемым от аппарата. Для полного отключения изделия от питающей сети, основной штекер сетевого кабеля следует отсоединять от сетевой розетки переменного тока. Светодиодный индикатор ждущего режима LED не будет гореть, показывая, что сетевой шнур отключен.

Не прокладывайте сетевой шнур там, где он может быть раздавлен, пережат, скручен, подвергнут воздействию тепла или поврежден каким-либо способом. Обращайте особое внимание на сетевой шнур вблизи штекера и там, где он входит в заднюю панель устройства.

Сетевой шнур следует отсоединять от стенной розетки во время грозы или если прибор оставлен неиспользуемым длительное время.

Используйте только принадлежности, указанные производителем.

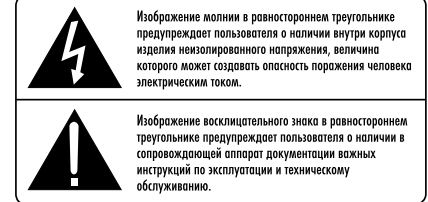
Используйте только тележку,ставку, стойку, кронштейн или полку системы, рекомендованной компанией Rotel. Будьте осторожны при перемещении прибора на подставку или стойку во избежание ранения от опрокидывания.



Используйте кабели с защитой Class 2 при подсоединении колонок к клеммам усилителя для обеспечения надежной изоляции и минимизации риска удара электричеством.

Немедленно прекратите использование компонента и передайте на обследование и/или обслуживание квалифицированной ремонтной организацией если:

- Сетевой шнур или штекер был поврежден.
- Внутри прибора уронили предметы или пролили жидкость.
- Прибор побывал под дождем.
- Прибор демонстрирует признаки ненормальной работы.
- Прибор уронили или повредили любым другим способом.



Продукты Rotel спроектированы так, чтобы соответствовать требованиям международных директив по ограничению применения вредных веществ в электротехническом и электронном оборудовании (Restriction of Hazardous Substances - RoHS), также по обращению с отслужившим свой срок электротехническим и электронным оборудованием (Waste Electrical and Electronic Equipment - WEEE). Изображение перечеркнутого мусорного бачка на колесах означает также то, что эти продукты должны быть вторично использованы (рециклированы) или же обработаны в соответствии с упомянутыми выше директивами.



Этот символ означает, что устройство имеет двойную изоляцию. Заземление не требуется.



Содержание

Рис. 1: Органы управления и разъемы	3
Рис. 2: Подсоединение источников сигнала и акустических систем	4
Перед подсоединением	5
Важные инструкции по безопасности	44
Содержание	45
О компании ROTEL	45
Несколько слов о мощности в Ваттах	45
Первые шаги	46
Основные достоинства	46
Некоторые меры предосторожности	46
Размещение	46
Подключение питания и управления	46
Вход сети переменного тока 7	46
Выключатель питания и индикатор 1	46
Светодиодный индикатор защиты 2	46
Переключатель режима авто включения/выключения 3	47
+12 В Триггерный вход и выход 4	47
Подсоединение входных сигналов 5	47
Подсоединение акустических систем	47
Выбор колонок	47
Выбор акустического кабеля	47
Полярность и фазировка	47
Подсоединение акустических кабелей 5	47
Возможные неисправности	48
Индикатор питания на передней панели не светится	48
Нет звука	48
Индикатор защиты светится	48
Технические характеристики	48

О компании ROTEL

История нашей компании началась почти 50 лет назад. За прошедшие десятилетия мы получили сотни наград за наши продукты и сделали счастливыми сотни тысяч людей, которые относятся к своим развлечениям вполне серьезно – так же, как вы!

Компания Rotel была основана семейством, чья страсть к музыке породила стремление создавать hi-fi компоненты бескомпромиссного качества. За многие годы эта страсть ничуть не ослабла, и по сей день общая цель – выпускать продукты исключительной ценности для аудиофилов и любителей музыки, независимо от их финансовых возможностей, разделяется всеми сотрудниками Rotel.

Инженеры Rotel работают как единая команда, прослушивая и тщательно доводя каждый новый продукт до такого уровня совершенства, когда он будет удовлетворять их строгим музыкальным стандартам. Им предоставлена свобода выбора комплектующих по всему миру, чтобы сделать аппарат как можно лучше. Вероятно, вы сможете найти в наших аппаратах отборные конденсаторы из Великобритании и Германии, полупроводники из Японии и США, однако тороидальные силовые трансформаторы мы изготавливаем на собственном заводе ROTEL.

Все мы заботимся об охране окружающей среды. По мере того, как все больше электронных устройств в мире выпускается, а после окончания срока службы выбрасывается, для производителя особенно важно при конструировании продуктов сделать все возможное, чтобы они наносили минимальный ущерб земле и источникам воды.

Мы в компании Rotel, гордимся своим вкладом в общее дело. Во-первых, мы сократили содержание свинца в своей электронике, за счет использования припоя, отвечающего требованиям ROHS, во-вторых, наши новые усилители, работающие в классе D, имеют в пять раз более высокий к.п.д., чем предыдущие разработки, при одинаковой выходной мощности и качестве звучания. Подобные продукты практически не выделяют тепла, не растрачивают попусту энергию, хороши с точки зрения охраны окружающей среды и вдобавок лучше звучат.

Наконец, даже эту инструкцию мы отпечатали на бумаге, полученной из вторичных ресурсов.

Мы понимаем, что это маленькие шаги вперед, но они очень важны. Ведь мы продолжаем поиски новых методов и материалов для более чистых и дружелюбных к окружающей среде технологических процессов.

Все мы, сотрудники компании ROTEL, благодарим Вас за покупку этого изделия. Мы уверены, что оно доставит вам много лет удовольствия.

Несколько слов о мощности в Ваттах

Выходная мощность усилителя RB-1562 и RB-1572 составляет 100 Вт и 250 Вт на канал, соответственно, при обоих одновременно работающих на полную мощность каналах.

Компания решила измерять выходную мощность именно таким методом потому, что по опыту Rotel, только он дает истинную оценку возможностей ресивера или усилителя.

Сравнивая данные в технических характеристиках различных продуктов, нужно иметь в виду, что выходная мощность часто измеряется совсем другим способом, так что, возможно, вы пытаетесь сравнить между собой совершенно разные вещи.

Например, выходная мощность может быть приведена только для одного работающего канала, что позволяет получить более высокий показатель максимальной мощности. Если бы Rotel приводил данные по выходной мощности RB-1562 и RB-1572 именно таким способом, то значения в Ваттах оказались бы на 25–30% выше при тех же процентах искажений и импедансе акустических систем.

Импеданс акустических систем показывает, каково электрическое сопротивление или нагрузка, подключаемая на выход усилителя, и обычно она равняется 8 Ом или 4 Ома. Чем ниже импеданс, тем большая мощность потребуется для колонки. В результате, акустическая система с сопротивлением 4 Ом нуждается в усилителе вдвое большей мощности, чем 8-омная АС.

Так что теоретически усилитель должен отдавать удвоенную мощность в 4-омную нагрузку – т.е. показатель 100 Вт на 8 Ом должен превратиться в 200 Вт на 4 Ом. Использование АС с более низким импедансом налагает на блок питания усилителя повышенные требования, потому что он должен извлекать из него больший ток и отдавать больше тепла.

Однако усилители Rotel спроектированы так, чтобы работать с любым импедансом колонок - от 8 Ом до 4 Ом, при всех каналах одновременно выдающих полную мощность. И так как конструкции Rotel оптимизированы для использования со всеми одновременно работающими каналами, Rotel может указывать истинную мощность для обоих каналов.

Это может оказаться чрезвычайно важно для ваших впечатлений. При просмотре кинофильмов желательно, чтобы усилитель мог выдать полную мощность во все каналы одновременно, особенно когда на экране происходит извержение вулкана!

Первые шаги

Благодарим вас за приобретение стерео усилителя мощности Rotel RB-1562 или RB-1572. При использовании в высококачественной системе для воспроизведения музыки или домашнего кинотеатра, ваш усилитель ROTEL обеспечит годы удовольствия от прослушивания.

Rotel RB-1562 и RB-1572 – это стерео усилители мощности со сложной и совершенной конструкцией. Их схемотехника, работающая в классе D, импульсные источники питания, отборные комплектующие премиум-класса и сбалансированная конструкция Rotel обеспечивают им превосходное качество звучания. Способность RB-1562/1572 отдавать большой ток позволяет им легко справляться с «трудными» нагрузками в виде колонок.

Усилители RB-1562 и RB-1572 по существу идентичные устройства. Они отличаются только выходной мощностью. В этой инструкции чаще всего упоминается RB-1562, но RB-1572 работает точно так же.

Основные достоинства

- Два канала усиления.
- Выбираемые пользователем режимы авто включения/выключения: ручной или управляемый пусковым 12 В триггерным сигналом
- Схема защиты с индикатором на передней панели
- Двойной комплект колоночных клемм

Некоторые меры предосторожности

Пожалуйста, прочитайте данное Руководство внимательно. Кроме основных наставлений по установке и эксплуатации, оно содержит информацию о различных конфигурациях систем. Пожалуйста, обращайтесь к вашему авторизованному дилеру ROTEL за ответами на любые вопросы, которые могут возникнуть. Кроме того, любой сотрудник ROTEL с удовольствием примет ваши вопросы и комментарии.

Сохраните транспортную картонную коробку от усилителя и все вложенные упаковочные материалы для дальнейшего использования. Транспортирование или перемещение усилителя в любой таре и упаковке, кроме оригинальной, может привести к серьезному повреждению вашего усилителя.

Сохраните чек о продаже. Он является наилучшей регистрацией даты приобретения, которая будет востребована в случае гарантийного обслуживания, если оно когда-либо понадобится.

Размещение

Усилитель выделяет тепло при нормальной работе. Теплоотводы и вентиляционные отверстия в усилителе спроектированы для рассеивания этого тепла. Вентиляционные прорезы в верхней крышке корпуса должны быть свободны. Следует оставлять не менее 10 см свободного пространства вокруг корпуса прибора, а также надлежащий воздушный поток в месте установки, чтобы предотвратить усилитель от перегрева. Кроме того, помните о весе данного усилителя, когда выбираете место для его установки. Убедитесь, что полка или стеллаж могут выдержать его вес.

Подключение питания и управления

Вход сети переменного тока **7**

Усилитель поставляется с подходящим для него сетевым кабелем. Используйте только этот кабель или эквивалентный ему. Не пользуйтесь удлинителями. Можно использовать разветвитель питания высокой мощности, если он (и стенная розетка) способны выдержать ток потребления усилителя и других компонентов, включенных в разветвитель.

Убедитесь, что выключатель питания **1** на передней панели усилителя находится в положении «отключено». Затем воткните один конец сетевого шнура в разъем **7** на задней панели усилителя. После этого вставьте другой конец сетевого кабеля с вилкой в розетку.

Ваш усилитель настроен на заводе в соответствии со стандартами электрической сети в Вашей стране (США: 120 В/60 Гц или Европа: 230 В/50 Гц). Конфигурация электропитания обозначена на задней панели аппарата.

Примечание: Если вы перевозите ваш усилитель в другую страну, существует возможность сконфигурировать ваш усилитель для использования с другим сетевым напряжением. Не пытайтесь сделать это преобразование самостоятельно. Вскрытие корпуса усилителя подвергает вас опасным напряжениям. Обратитесь к квалифицированному техническому специалисту или в отдел обслуживания завода ROTEL за необходимой информацией.

Если вы уезжаете из дома на длительное время, в качестве разумной предосторожности, отключите ваш усилитель от сети.

Выключатель питания и индикатор **1**

Выключатель питания расположен на передней панели усилителя. Для включения усилителя (или для активации какого-либо режима автоматического включения), нажмите на выключатель. Светодиодный кольцевой индикатор вокруг выключателя загорится, показывая, что усилитель включен. Чтобы выключить усилитель, нажмите на кнопку еще раз и верните ее в положение «выключено».

Светодиодный индикатор защиты **2**

Схемы тепловой и другой защиты предотвращают потенциальное повреждение усилителя в случае экстремальных ситуаций или состоянии отказа. В отличие от многих других усилителей, схема защиты RB-1562 и RB-1572 не зависит от аудио сигнала и не влияет на качество воспроизведения звука. Вместо этого, схема защиты отслеживает температуры выходных транзисторов и отключает усилитель, если они превышают безопасные пределы.

Кроме того, усилитель снабжен защитой от превышения тока, которая срабатывает, только если импеданс нагрузки становится слишком низким. Эта защита является независимой для каждого из пяти каналов.

При возникновении отказа соответствующий канал усилителя прекращает воспроизведение и на передней панели загорается индикаторный светодиод PROTECTION LED **2**.

Если это случится, выключите усилитель, дайте ему остыть несколько минут и попытайтесь обнаружить и исправить проблему. Для каждой пары каналов существуют свои индикаторы, которые могут помочь в определении причины неисправности. Когда вы включаете усилитель снова, схема защиты автоматически сбросится и индикатор PROTECTION LED погаснет.

В большинстве случаев, схема защиты активируется в результате неисправности, такой как короткое замыкание в акустическом кабеле или недостаточно хорошая вентиляция. В очень редких случаях, срабатывание схемы защиты может обусловить высокая реактивность или чрезвычайно низкий импеданс громкоговорителя.

Примечание: светодиодный индикатор защиты Protection Mode LED загорается также тогда, когда используется система управления по 12-В триггерному сигналу и усилитель находится в режиме ожидания Standby.

Переключатель режима авто включения/выключения Э

Усилитель может быть включен и выключен вручную или автоматически при помощи своего 12-вольтового пускового входа. Переключатель выбора режима включения/выключения используется для выбора способа, по которому будет включаться и выключаться усилитель.

- Когда переключатель находится в положении OFF, усилитель включается и выключает вручную, с помощью выключателя на передней панели.
- Когда переключатель находится в положении 12V TRIG, усилитель включается автоматически при появлении 12-вольтового сигнала в 3,5-мм гнезде на задней панели, обозначенном IN. Кнопка POWER SWITCH на передней панели блокирует эту функцию. Она должна находиться в положении ON, чтобы +12-вольтовый запускающий сигнал работал. Перевод выключателя в положение OFF отключает питание усилителя вне зависимости от присутствия триггерного (пускового) сигнала.

+12 В Триггерный вход и выход 4

Гнездо с маркировкой IN предназначено для присоединения кабеля с 3,5-мм штекером, несущего +12-вольтовый запускающий сигнал, включающий и выключающий усилитель. Чтобы реализовать эту функцию, соседний движковый переключатель должен быть установлен в положение 12V TRIG (см. предыдущий раздел). Запускающий вход принимает любой управляющий сигнал (переменного или постоянного тока) в диапазоне от 3 до 30 вольт.

Гнездо с маркировкой OUT предназначено для присоединения еще одного кабеля с 3,5-мм штекером, обеспечивающего 12-вольтовый пусковой сигнал для других компонентов. Выходной 12-вольтовый сигнал появляется всякий раз, когда запускающий сигнал +12 В приложен к гнезду IN.

Подсоединение входных сигналов Б

См. Рис. 2

RB-1562 и RB-1572 оснащены стандартными, небалансными входными разъемами типа RCA, какие можно найти почти во всем аудио оборудовании. Имеются входы RCA для каждого из двух каналов усилителя. Эти RCA входы принимают аудио сигналы от предусилителей или процессоров окружающего звука. Используйте межблочные кабели высокого качества для получения наилучшего звучания.

Подсоединение акустических систем

См. Рис. 2

Усилители RB-1562 и RB-1572 имеют два набора колоночных клемм, по две пары на каждый канал усиления.

Выбор колонок

Номинальное входное сопротивление колонок, присоединенных к каждому каналу RB-1562/1572, должно быть не меньше 4 Ом.

Выбор акустического кабеля

Используйте изолированный двухпроводной скрученный кабель для присоединения усилителя к акустическим системам. Размер и качество провода имеют заметное на слух влияние на параметры системы. Стандартный акустический кабель будет работать, но может привести к снижению громкости или ослаблению низких частот, особенно на больших расстояниях. В общем случае, более толстый кабель улучшает звучание. Для наилучших параметров, вы можете применить специальные акустические кабели высокого качества. Ваш авторизованный дилер ROTEL может помочь вам в выборе соответствующих кабелей для вашей системы.

Полярность и фазировка

Полярность или положительная/отрицательная ориентация соединений для каждого громкоговорителя должны быть согласованы, чтобы все акустические системы были в фазе. Если полярность одного соединения по ошибке сделана обратной, звучание низких частот будет очень слабым, а стереокартина деградирует. Все акустические кабели промаркированы, чтобы вы могли отличить два проводника. Это может быть полоса или рифление на изоляции одного проводника. Кабель может иметь прозрачную изоляцию с проводниками разного цвета (красного и серебристого). Это могут быть и метки полярности, напечатанные на изоляции. Определите положительный и отрицательный проводники и согласуйте с каждым разъемом громкоговорителя и усилителя.

Подсоединение акустических кабелей Б

Примечание: Ниже описывается подсоединение как к винтовым клеммам, так и к разъемам «бананам». НИ В КОЕМ СЛУЧАЕ НЕ ИСПОЛЬЗУЙТЕ одновременно оба способа, например, чтобы подключить несколько пар колонок.

Усилитель имеет по две пары винтовых клемм с цветовой маркировкой для каждого канала усиления. С помощью двух пар клемм легко сделать двухпроводное подключение колонок – би-ваеринг. Эти разъемы принимают зачищенный провод, наконечники типа «лопатка» или «банан» (за исключением европейских стран, где применение «бананов» запрещено).

Проложите провода от усилителя к колонкам. Оставьте для себя достаточный запас, чтобы иметь возможность перемещения компонентов с целью доступа к разъемам громкоговорителей.

Примечание: Убедитесь, что левые LEFT и правые RIGHT клеммы колонок правильно подсоединены к левым LEFT и правым RIGHT выходным клеммам усилителя. Особенно будьте внимательны при двухпроводном подключении колонок – би-ваеринге.

Если вы применяете разъемы – «бананы», присоедините их к проводам и затем вставьте в разъемы для громкоговорителей SPEAKER CONNECTORS. Зажимные втулки разъемов громкоговорителей должны быть завинчены на всю длину (по часовой стрелке).

Если вы используете «лопатки», смонтируйте их на провода. Если вы присоединяете зачищенные кабели непосредственно к разъемам громкоговорителей, отделите проводники и снимите изоляцию с концов каждого провода. Будьте внимательны, чтобы не повредить токопроводящие жилы. Отвинтите (против часовой стрелки) зажимную втулку разъема громкоговорителя. Расположите наконечник вокруг оси втулки, или просуньте оголенный провод в отверстие в оси. Заверните втулку по часовой стрелке, чтобы надежно зафиксировать наконечник или провод.

Примечание: Убедитесь, что отдельные «разлохмаченные» жилы провода не касаются соседних проводов или разъемов.

Возможные неисправности

Большинство проблем в аудио системах появляются в результате плохих или неверных соединений, или неправильных управляющих настроек. Если вы столкнулись с проблемами, изолируйте область их возникновения, проверьте настройки, определите причину неисправности и сделайте необходимые изменения. Если вы не можете добиться звука от своего усилителя, обратитесь к советам для следующих ситуаций:

Индикатор питания на передней панели не светится

На усилитель не подается питание. Проверьте сетевые разъемы на усилителе и в розетке. Проверьте выключатель питания на передней панели. Убедитесь, что он находится в положении ON. Если используется включение 12-вольтным запускающим сигналом, убедитесь, что запускающий сигнал присутствует в гнезде 12V TRIG IN на задней панели.

Нет звука

Если на усилитель подается сетевое напряжение, но звук не воспроизводится, проверьте индикатор защиты PROTECTION INDICATOR **2** на передней панели. Если он светится, переходите к следующему разделу. Если нет, проверьте все ваши входные разъемы и настройки управления для подсоединенного оборудования. Проверьте, соответствует ли подсоединение громкоговорителей и входных сигналов конфигурации вашей системы.

Индикатор защиты светится

Индикатор защиты на передней панели PROTECTION INDICATOR **2** загорается, когда схемы защиты отключили усилитель. Обычно, это происходит, когда усилитель перегрелся, когда присоединен неисправный громкоговоритель или после периода работы на максимальной мощности. Выключите систему и подождите, чтобы усилитель остыл. Затем нажмите и отожмите кнопку включения питания на передней панели, чтобы сбросить схемы защиты. Если проблема не устранена или проявляется снова, значит, отказала ваша система или сам усилитель.

Технические характеристики

Выходная мощность невр. (20 Гц – 20 кГц, <0,03%, 8 Ом)	
RB-1562	100 Вт/на канал
RB-1572	250 Вт/на канал
Общие гармонические искажения THD (20 Гц – 20 кГц, 8 Ом)	
	<0,03%
Интермодуляционные искажения (60 Гц : 7 кГц, 4:1)	
	<0,03%
Диапазон частот (± 1 дБ)	
RB-1562	10 Гц – 40 кГц
RB-1572	10 Гц – 80 кГц
Фактор демпфирования (20 Гц – 20 кГц, 8 Ом)	
RB-1562	200
RB-1572	400
Импеданс колонок (в нормальном режиме)	
	4 Ом, минимум
Отношение сигнал/шум (A-взвешенное, IHF)	
	109 дБ
Входной импеданс / чувствительность	
RB-1562	8,3 кОм / 1,25 В
RB-1572	8,3 кОм / 1,5 В
Напряжение питания	
США:	120 В, 60 Гц
Европа:	230 В, 50 Гц
Потребляемая мощность	
RB-1562	130 Вт
RB-1572	280 Вт
Габаритные размеры (Ш x В x Г)	
	431 x 99 x 339 мм
Высота передней панели	
	2U / 88.1 мм
Вес (нетто)	
RB-1562	5,6 кг
RB-1572	7,8 кг

Все характеристики являются точными на момент публикации.

ROTEL оставляет за собой право вносить улучшения без уведомления.



ROTEL®

The Rotel Co. Ltd.

10-10 Shinsen-Cho
Shibuya-Ku
Tokyo 150-0045
Japan

Rotel of America

54 Concord Street
North Reading, MA 01864-2699
USA
Phone: +1 978-664-3820
Fax: +1 978-664-4109

Rotel Europe

Dale Road
Worthing, West Sussex BN11 2BH
England
Phone: + 44 (0)1903 221 761
Fax: +44 (0)1903 221 525

Rotel Deutschland

Vertrieb: B&W Group Germany GmbH
Kleine Heide 12
D-33790 Halle/Westf., Deutschland
Tel.: 05201 / 87170
Fax: 05201 / 73370
E-Mail: info@bwgroup.de
www.rotel-hifi.de

www.rotel.com

082 OMRB1562-72 101008

English • Français • Deutsch • Español
Italiano • Nederlands • Svenska • Русский