

Saramonic

Sound.Remarkable. 声·

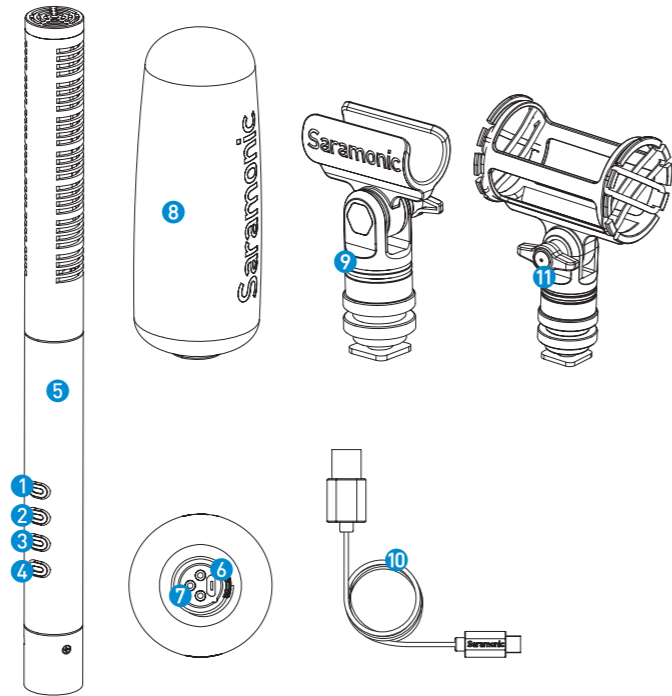
Directional Condenser Microphone 枪式采访电容麦克风

Soundbird T3

1 Introduction

The SoundBird T3 from Saramonic is a professional shotgun microphone that delivers broadcast-quality sound for ENG, filmmaking, field recording, sound design, and broadcast applications.

2 Product Structure



- | | |
|----------------------------------|-----------------------------|
| 1 150 Hz high pass filter button | 7 XLR output |
| 2 +6 dB high frequency boost | 8 Foam windshield |
| 3 -10 dB PAD | 9 Mic Mounting Bracket Clip |
| 4 Power button | 10 MicroUSB cable |
| 5 Built-in Li-ion battery | 11 Shock Mount |
| 6 Micro USB input | |

3 Power Supply

The SoundBird T3 can be powered either via the built-in lithium battery or, 48V phantom power supplied by your camera, recording device or mixer (such as the Saramonic SR-PAX1, SR-PAX2 or SR-AX107). When phantom power is applied, the built-in lithium battery is no used or charged.

Power	by Built-In Battery	by 48V Phantom Power	Low Power
Power Indicator	Blue Light	Green Light	Red Light

4 Charge

Connect the SoundBird T3 with the provided USB cable to a travel adapter to USB power, a computer (slower charging speed) or any other USB port which provides standard 5 volts. It will automatically start charging and all the 5 buttons will flash blue in cycles. If charged by 1A power source, it takes around 2 hours to be fully charged; If charged by 2A power, around 1 hour before fully charged.

When the SoundBird T3 has been fully charged, the 5 buttons will stay blue. Pull out the cable and long press the power button to restart, now the SoundBird T3 is ready to use.

5 Highlights

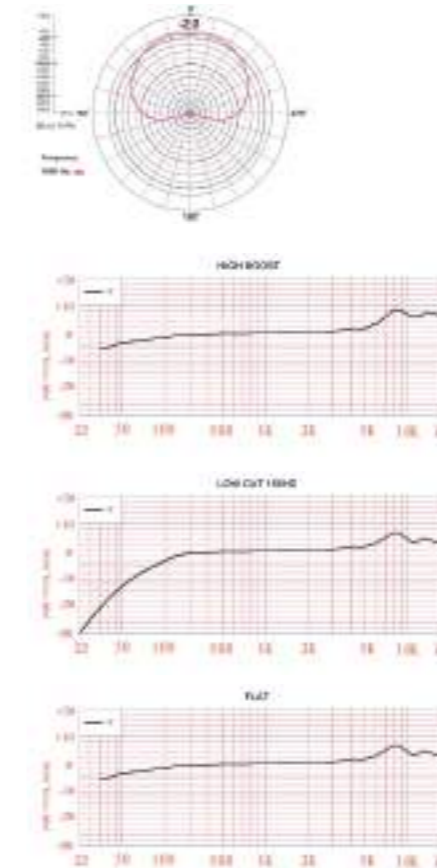
- **-10 dB Pad**
Attenuates the microphone input to allow for the recording of loud sounds without clipping.
- **150 Hz High Pass Filter**
Reduces low frequency and infrasonic rumble from HVAC systems indoors or street traffic outdoors from over-powering the recording.
- **High Frequency Boost**
Restores some of the high frequency content that is often lost when a blimp or furry windshield is placed over the microphone and improves the intelligibility of recorded speech.
- **Rechargeable Built-in Li-ion Battery**
The built-in battery supports at least 150 hours operation.
- **Solid Brass Construction**
Prevents radio frequency interference for clean sound
- **Gold-Plated XLR Connector**
Resists corrosion and ensures excellent signal transfer
- **Battery Indicator**
If you would like to check the battery level during recording, double press the Power button, the 4 indicators will show the remaining battery capacity. If 4 indicators are all blue, the battery is full.
- **Supplied with foam windshield, mic clip and shock mount, XLR Cable and MicroUSB charging cable**

6 Specifications

Directional Pattern	Cardioid
Frequency Range	75 to 20k Hz (selectable HPF 150 Hz)
Sensitivity	-38 ± 3dB(0dB=1V/Pa,at 1kHz 1.5V 2.2K)
Output Impedance	150ohm
Dynamic Range	125 dB (per IEC651)
Maximum SPL	f=1KHzTHD, 1% 105 dB
Signal to Noise Ratio	80 dB SPL (per IEC651)
high pass filter button	150 Hz

high frequency boost	+6 dB
PAD	-10 dB
Material	Brass
Output Connection	3-pin XLR, balanced output between Pin 2 (+), Pin 3 (-) and Pin 1 (ground)
Power	48V phantom power; built-in lithium battery (battery life:150 hours)
Dimension	2.2 x 2.2 x 28.2 cm
Weight	240.5g (8.48oz)

Polar Pattern



7 Packing List

- SoundBird T3 microphone
- XLR output cable
- Micro USB cable for charging
- Foam windshield
- Mic Clip SR-SMC1
- Boompole/Mic Stand Shock Mount SR-SMC3



For better recording experience, the app-lication **SmartRecorder** is recommended.

为获得更好的录制体验，推荐使用枫笛 Saramonic 自主研发应用软件 **SmartRecorder**。



Please follow our WeChat account for more details.
扫描二维码关注枫笛Saramonic微信公众号。

Shenzhen Jiayz Photo Industrial, Ltd
深圳市长丰影像器材有限公司

A16 Building, Intelligent Terminal Industrial Park of Silicon Valley
Power, Guanlan, Longhua District, Shenzhen, China
深圳市龙华区观澜街道大富工业区硅谷动力智能终端产业园 A16 栋

400-613-1096 www.saramonic.com info@saramonic.com

SoundBird T3

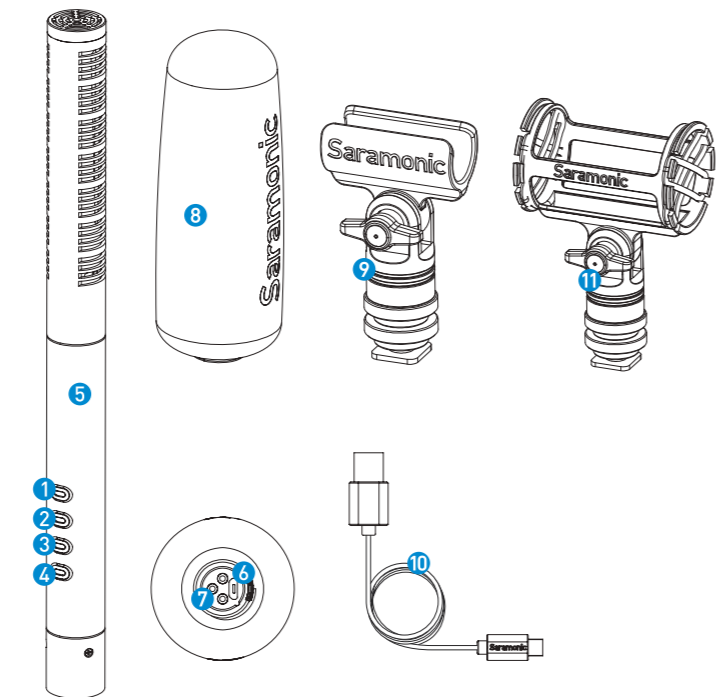
指向型电容式枪麦

Saramonic T3是一款专业级枪麦。心型指向型拾音模式，可反复充电的内置电池，150Hz低切开关，+6dB的高频增益和-10dB的衰减和电源开关键。

1 简介

SaramonicT3是一款专业级枪麦，输送广播级音质，适用于电子新闻采集、电影制作、现场制作、音效录制等各种场合。

2 产品结构



- ① 150Hz低切过滤器
- ② +6dB高频增益
- ③ -10dB衰减
- ④ 电源键
- ⑤ 内置锂电池
- ⑥ Micro USB充电口

- ⑦ XLR输出孔
- ⑧ 防风棉
- ⑨ 麦克风支架
- ⑩ Micro USB充电线
- ⑪ 防震架

3 电源要求

Saramonic T3可由内置锂电池或48V幻象电源供电（例如相机）。如果选择用幻象电源供电，麦克风会切断内置锂电池的供电来源。此外，幻象电源在供电过程中不会对内置锂电池进行充电。

电源	内置锂电池	48V幻象电源	低电量
电源指示灯状态	蓝灯常亮	绿灯常亮	红灯

4 充电

使用配备的USB充电线对T3进行充电，可插入带USB的笔记本电脑以及其他能提供标准5V电压的USB设备。
1A充电源进行充电，充电时长为2小时。2A充电源对进行充电，充电时长为1小时。当T3充满电时，五盏按键指示灯状态为蓝灯常亮。充满电后请将充电线拔出，准备开始录音。

5 产品特点

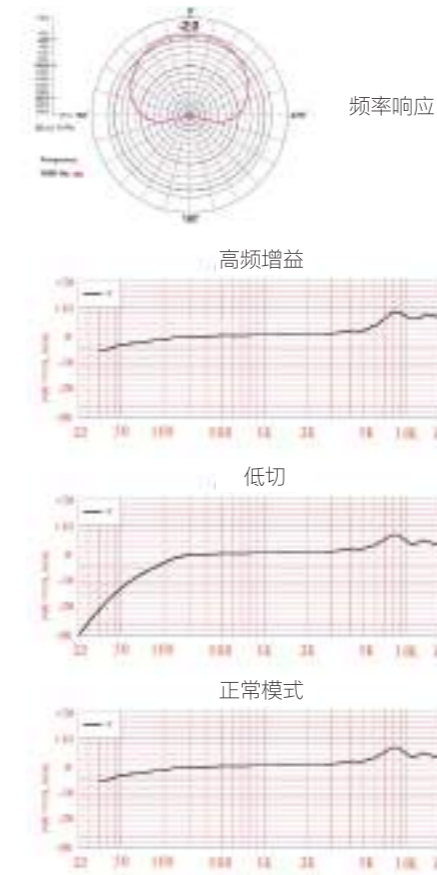
- -10dB衰减
减弱麦克风输入信号强度，避免爆音情况的发生。
- 150Hz低切过滤器
减少低频噪音的输入，隔绝室内空调或街区汽车通行等杂音。
- 高频增益
即使套上隔音罩或防风棉，也能保留高频段声音和降低失真率，保持音频的完整性。
- 内置锂电池（可充电）
大于150小时续航时长
- 坚固黄铜结构
抗干扰和输送广播级音质
- 镀金XLR接口
抗腐蚀和稳定的信号传输能力
- 电源指示灯
在录音过程中，若您想确认麦克风的电量使用状况，双击电源键，四盏指示灯显示状态为电量剩余情况，四盏指示灯全亮为满电量。
- 包装配件包含：防风棉、麦克风支架、防震架、XLR输出线、MicroUSB充电线

6 技术参数

拾音模式	心型
频率响应	75-20kHz (选择)
灵敏度	-38 ± 3dB (0dB=1V/Pa, at 1kHz 1.5V 2.2K)
输出阻抗	150Ω
动态范围	120dB
最大声压级	105dB

信噪比	80dB
低切	150Hz
高频增益	+6dB
衰减	-10dB
材质	黄铜
输出孔	三芯XLR孔
供电方式	48V幻象电源
	内置锂电池（续航时长：150小时）
尺寸	2.2 × 2.2 × 28.2 cm
重量	240.5g

拾音模式



7 包装清单

- T3麦克风
- XLR输出线
- Micro USB充电线
- 防风棉
- SR-SMC1麦克风支架
- SR-SMC3防震架