

GENERAL CHARACTERISTICS

Nominal Overall Diameter	268	mm
Nominal Voice Coil Diameter	50	mm
Magnet Weight	270	g
Flux Density.....	1.42	T
Weight.....	2.5	Kg

THIELE-SMALL PARAMETERS

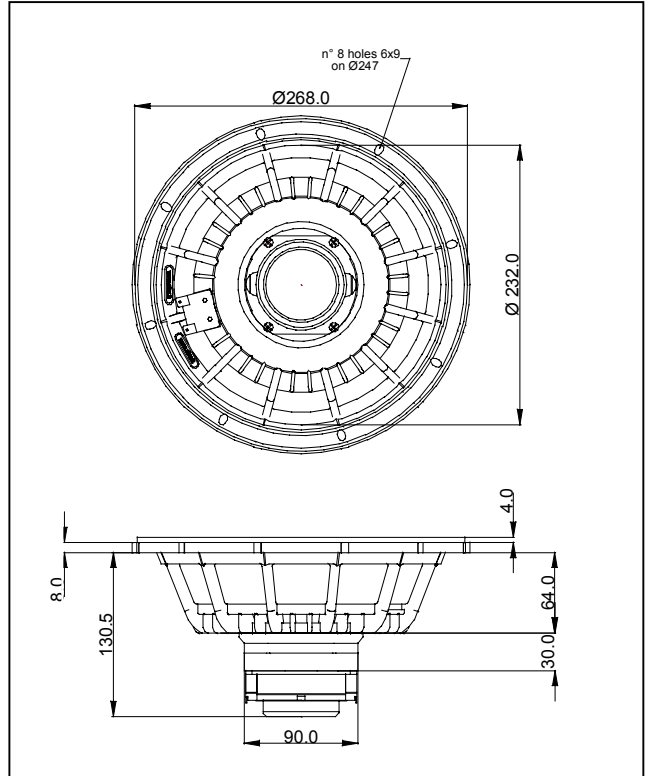
Voice Coil DC Resistance	R_E	6.25	Ω
Resonance Frequency	f_s	57.4	Hz
Mechanical Q Factor.....	Q_{MS}	6.07	
Electrical Q Factor.....	Q_{ES}	0.27	
Total Q Factor	Q_{TS}	0.26	
Mechanical Moving Mass	M_{MS}	29.8	g
Mechanical Compliance	C_{MS}	260	μm/N
Force Factor	$B \times l$	15.75	Wb/m
Equivalent Acoustic Volume.....	V_{AS}	43.7	lt.
Maximum Linear Displacement	X_{MAX}	+/-3.0	mm
Reference Efficiency	η_0	2.93	%
Diaphragm Area	S_D	346.3	cm ²
Losses Electrical Resistance.....	R_{ES}	139.7	Ω
Voice Coil Inductance @ 1kHz	L_E	0.76	mH

CONSTRUCTIVE CHARACTERISTICS

Magnet.....	Neodymium
Voice Coil Winding.....	Copper
Voice Coil Former.....	Kapton
Cone	Paper
Surround.....	Treated Cloth
Dust Dome	Nylon
Basket	Aluminium Die-Cast

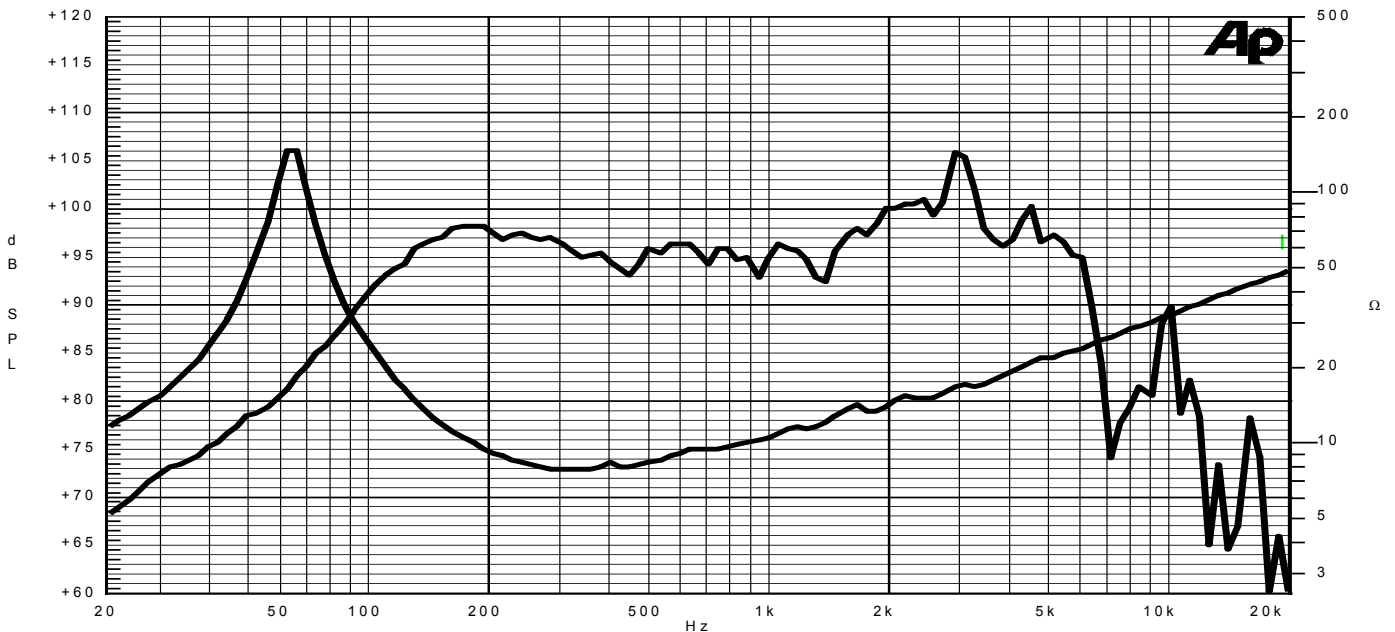
ELECTRICAL CHARACTERISTICS

Nominal Impedance.....	8	Ω
Musical Power	300	W
Rated Power*	150	W
Sensitivity @ 1 W, 1 m	97.9	dB



*rated power measured with 2 hours test with pink noise signal, 6 dB crest factor, loudspeaker mounted on enclosure
Thiele-Small parameters measured with LASER system

Frequency Response on IEC Baffle (DIN 45575) @ 1 W, 1 m - Impedance



GENERAL CHARACTERISTICS

Nominal Overall Diameter	78	mm
Nominal Voice Coil Diameter	25	mm
Magnet Weight	92	g
Flux Density.....	1.92	T
Weight.....	0.41	Kg

THIELE-SMALL PARAMETERS

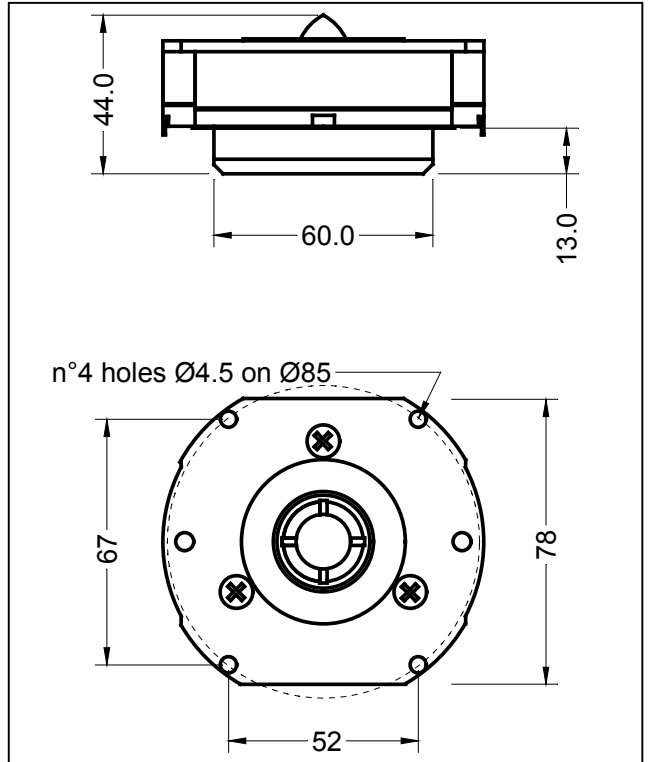
Voice Coil DC Resistance	R_E	5.30	Ω
Resonance Frequency	f_s	1500	Hz

CONSTRUCTIVE CHARACTERISTICS

Magnet.....	Neodymium
Voice Coil Winding.....	Aluminium Flat Wire
Voice Coil Former.....	Kapton
Voice Coil Winding Height.....	2.1 mm
Diaphragm	Tri-acetate Film
Air Gap Height.....	2 mm
Ferrofluid in Air Gap	No
Throat Diameter	25 mm
Horn.....	- - -

ELECTRICAL CHARACTERISTICS

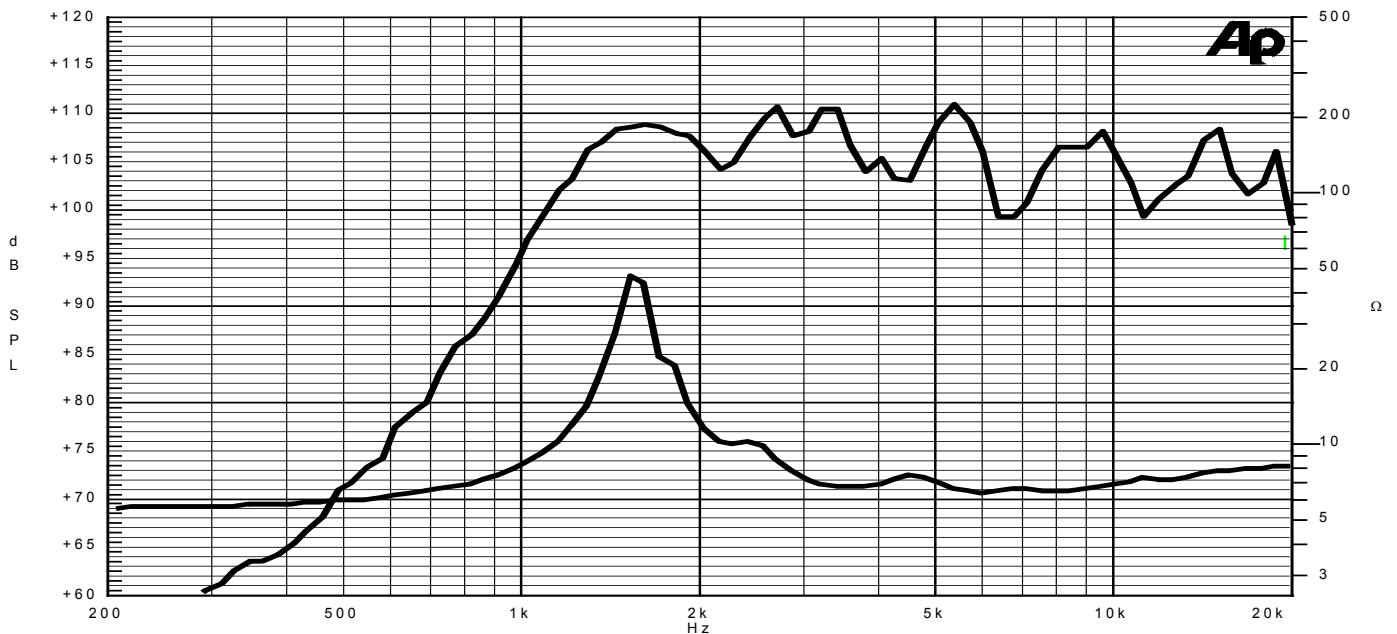
Nominal Impedance.....	8	Ω
Musical Power	40	W
Rated Power*	20	W
Sensitivity @ 1 W, 1 m	105.5	dB



NOTES

*rated power measured with 2 hours test with continuous pink noise signal, 6 dB crest factor, HP filter 3kHz-12dB/Oct

Free Air Frequency Response (driver mounted as coaxial unit) @ 1 W, 1 m - Impedance (without horn)



Due to continuing product improvement, the features and the design are subject to change without notice.

27/02/07