

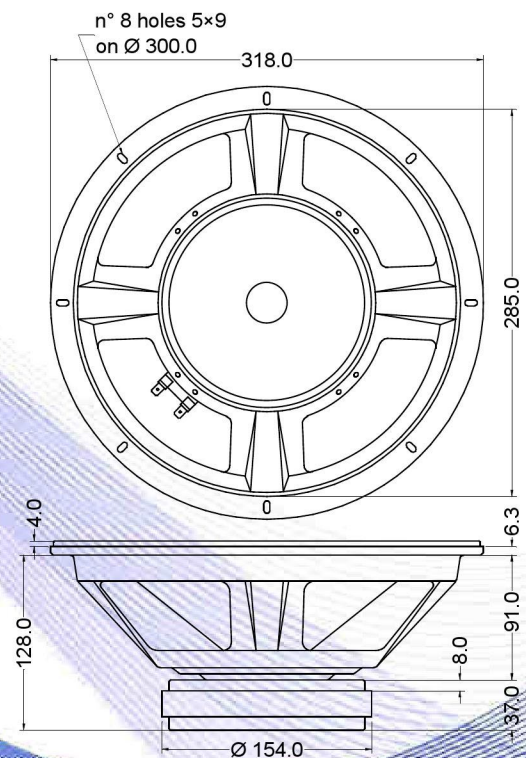
- ∞ 2.5" voice coil Kapton former
- ∞ Ferrite magnet circuit
- ∞ 97.9 dB sensitivity.



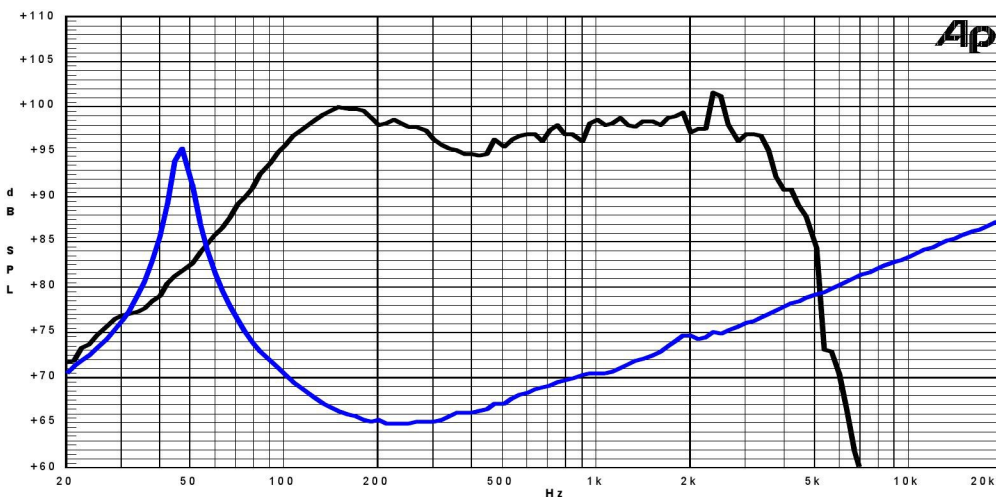
Specifications	
Nominal Diameter	318mm (12")
Nominal Impedance	4Ω
Rated Power AES ⁽¹⁾	250W
Continuous Program Power ⁽²⁾	500W
Sensitivity @ 1W/1m ⁽³⁾	97.9dB
Voice Coil Diameter	65mm (2.5")
Voice Coil Winding Depth	13mm
Magnetic Gap Depth	8mm
Flux Density	1.16T
Magnet Weight	1450g
Net Weight	4.8kg

Thiele & Small Parameters ⁽⁴⁾			
Re	3.12Ω	Fs	44.8Hz
Qms	10.12	Qes	0.27
Qts	0.26	Mms	48.7g
Cms	260μm/N	Bxl	12.75Tm
Vas	88.5l	Sd	490.9cm ²
X max ⁽⁵⁾	+/-2.8mm	X var ⁽⁶⁾	+/-5.0mm
η ₀	2.92%	Le (1kHz)	0.68mH

Constructive Characteristics	
Magnet	: Ferrite
Basket Material	: Pressed Sheet Steel
Voice Coil Winding Material	: Copper
Voice Coil Former Material	: Kapton
Cone Material	: Paper
Cone Treatment	: No
Surround Material	: Treated Cloth
Dust Dome Material	: Solid Paper



Frequency Response on IEC Baffle (DIN 45575) @ 1W,1m – Free Air Impedance



- Note:
- 1 : Rated Power measured with 2 hours test with pink noise signal, 6dB crest factor, loudspeaker mounted on enclosure
 - 2: Power on Continuous Program is defined as 3 dB greater than the Rated Power
 - 3: Calculated by Thiele & Small parameters
 - 4: Thiele & Small parameters measured with laser system without preconditioning test
 - 5: Measured with respect to a THD of 10% using a parameter-based method
 - 6: Value corresponding to a decay of the Force Factor, or Compliance, or both, equal to the 50% of the small signal value.
 - 7: Drawing dimensions: mm
 - 8: The notch around 400Hz on the frequency response is typical of the measurement on IEC baffle