

- 3" sandwich voice coil fiberglass former
- Progressive wave Konex spider
- Cloth surround with DAR technology
- Autoclave waterproof cone treatment
- Ventilated voice coil to reduce power compression
- High excursion ferrite magnet circuit
- 96.9 dB sensitivity

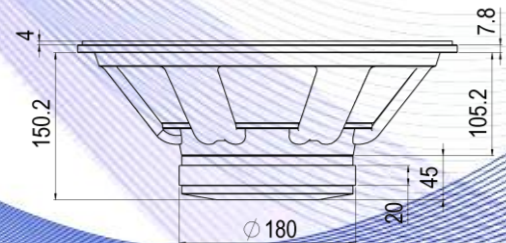
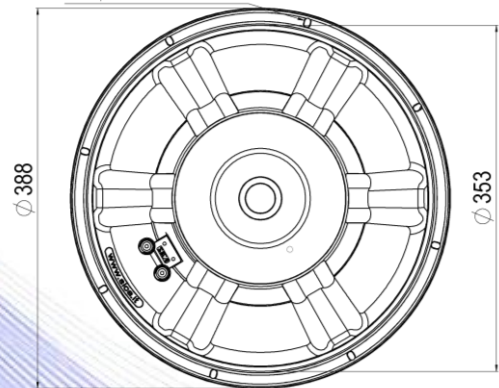


Specifications	
Nominal Diameter	389mm (15")
Nominal Impedance	8Ω
Rated Power AES <sup>(1)</sup>	350W
Continuous Program Power <sup>(2)</sup>	700W
Sensitivity @ 1W/1m <sup>(3)</sup>	96.9dB
Voice Coil Diameter	75mm (3")
Voice Coil Winding Depth	24mm
Magnetic Gap Depth	10mm
Flux Density	1.04T
Magnet Weight	1800g
Net Weight	8.1kg

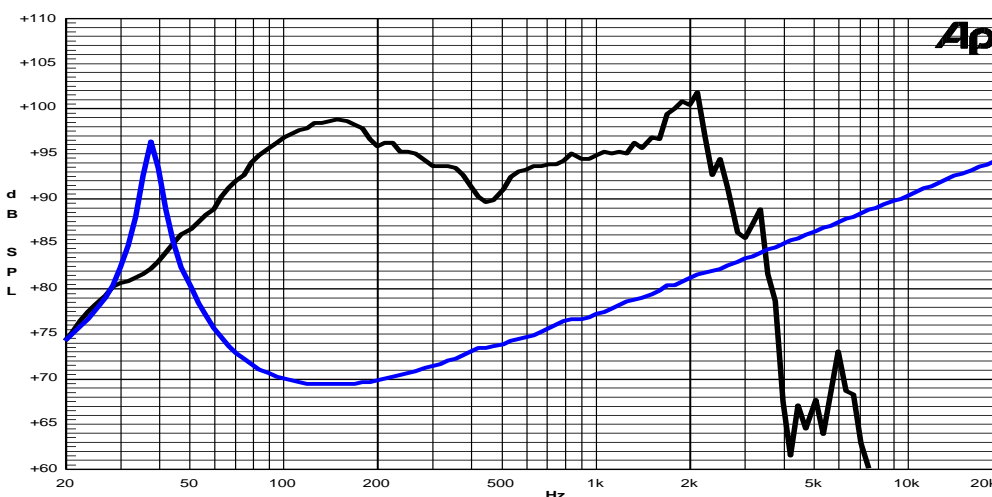
Thiele & Small Parameters <sup>(4)</sup>			
Re	5.20Ω	Fs	38.5Hz
Qms	10.61	Qes	0.47
Qts	0.45	Mms	108.9g
Cms	157μm/N	Bxl	17.07Tm
Vas	163.0l	Sd	855.3cm <sup>2</sup>
X max <sup>(5)</sup>	+/-7.3mm	X var <sup>(6)</sup>	+/-10.8mm
η <sub>0</sub>	1.91%	Le (1kHz)	1.58mH

Constructive Characteristics	
Magnet	: Ferrite
Basket Material	: Aluminium Die-Cast
Voice Coil Winding Material	: Copper
Voice Coil Former Material	: Fiberglass
Cone Material	: Paper
Cone Treatment	: Humidity Resistant Pulp
Surround Material	: Treated Cloth
Dust Dome Material	: Solid Paper

8 holes 6.0 x 9.0 mm  
on Ø371.0 mm



Frequency Response on IEC Baffle (DIN 45575) @ 1W,1m – Free Air Impedance



- Note:
- 1 : Rated Power measured with 2 hours test with pink noise signal, 6dB crest factor, loudspeaker mounted on enclosure
  - 2: Power on Continuous Program is defined as 3 dB greater than the Rated Power
  - 3: Calculated by Thiele & Small parameters
  - 4: Thiele & Small parameters measured with laser system without preconditioning test
  - 5: Measured with respect to a THD of 10% using a parameter-based method
  - 6: Value corresponding to a decay of the Force Factor, or Compliance, or both, equal to the 50% of the small signal value.
  - 7: Drawing dimensions: mm
  - 8: The notch around 400Hz on the frequency response is typical of the measurement on IEC baffle

Due to continuing product improvement, the features and the design are subject to change without notice.

17/03/15