

GENERAL CHARACTERISTICS

Nominal Overall Diameter	96	mm
Nominal Voice Coil Diameter	44	mm
Magnet Weight	235	g
Flux Density.....	2.10	T
Weight.....	1.00	Kg

THIELE-SMALL PARAMETERS

Voice Coil DC Resistance	R_E	11.00	Ω
Resonance Frequency	f_s	700	Hz

CONSTRUCTIVE CHARACTERISTICS

Magnet.....	Neodymium
Voice Coil Winding.....	Aluminium Flat Wire
Voice Coil Former.....	Kapton
Voice Coil Winding Height.....	3.0 mm
Diaphragm	Titanium
Air Gap Height.....	3.0 mm
Ferrofluid in Air Gap	No
Throat Diameter	25 mm
Horn.....	- - -

NOTES

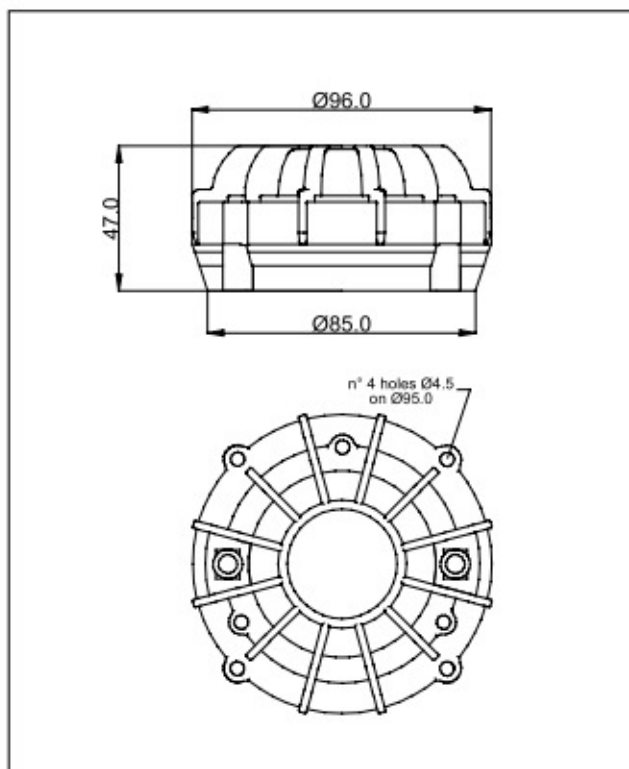
Mounting informations:

2 M5 holes at 180° on 76mm diameter

4 holes Ø4.5 at 90° on 95mm diameter

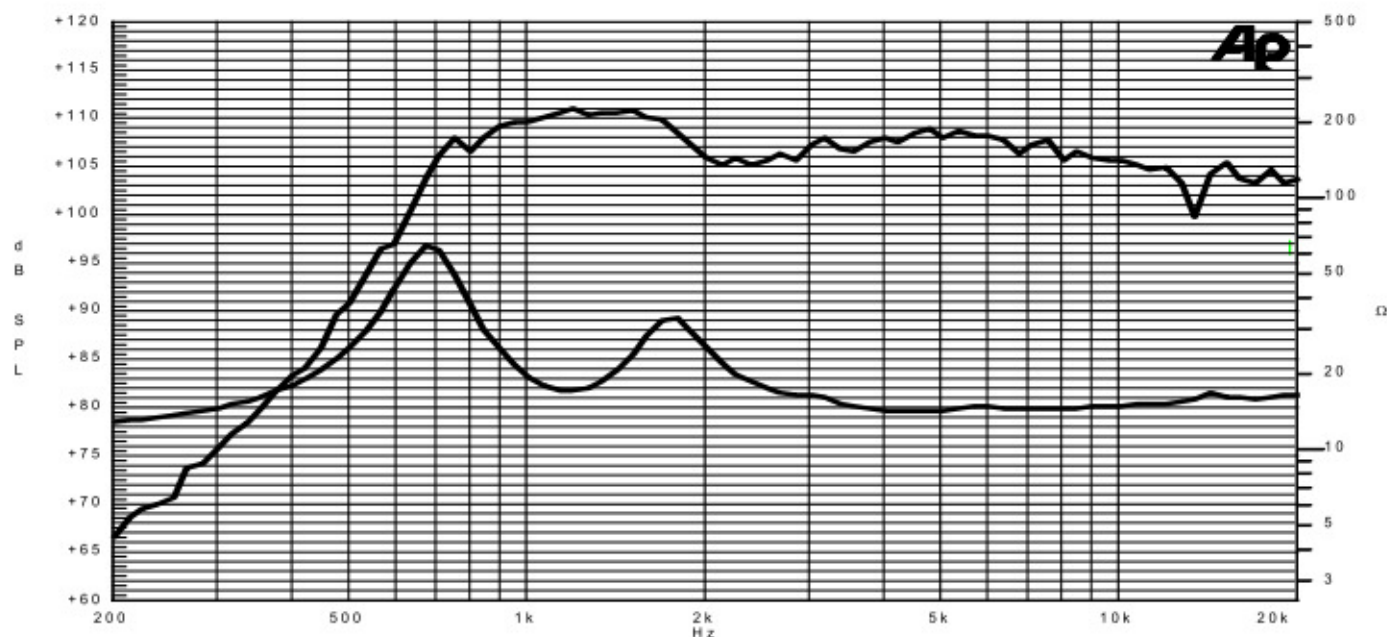
ELECTRICAL CHARACTERISTICS

Nominal Impedance.....	16	Ω
Musical Power	120	W
Rated Power*	60	W
Sensitivity @ 1 W, 1 m	106.7	dB



*rated power measured with 2 hours test with continuous pink noise signal, 6 dB crest factor, HP filter 3kHz-12dB/Oct

Free Air Frequency Response with horn (6"x11") @ 1 W, 1 m - Impedance (without horn)



Due to continuing product improvement, the features and the design are subject to change without notice.

23/01/07