

GENERAL CHARACTERISTICS

Nominal Overall Diameter	208	mm
Nominal Voice Coil Diameter	25	mm
Magnet Weight	270	g
Flux Density.....	0.90	T
Weight.....	1.00	Kg

THIELE-SMALL PARAMETERS

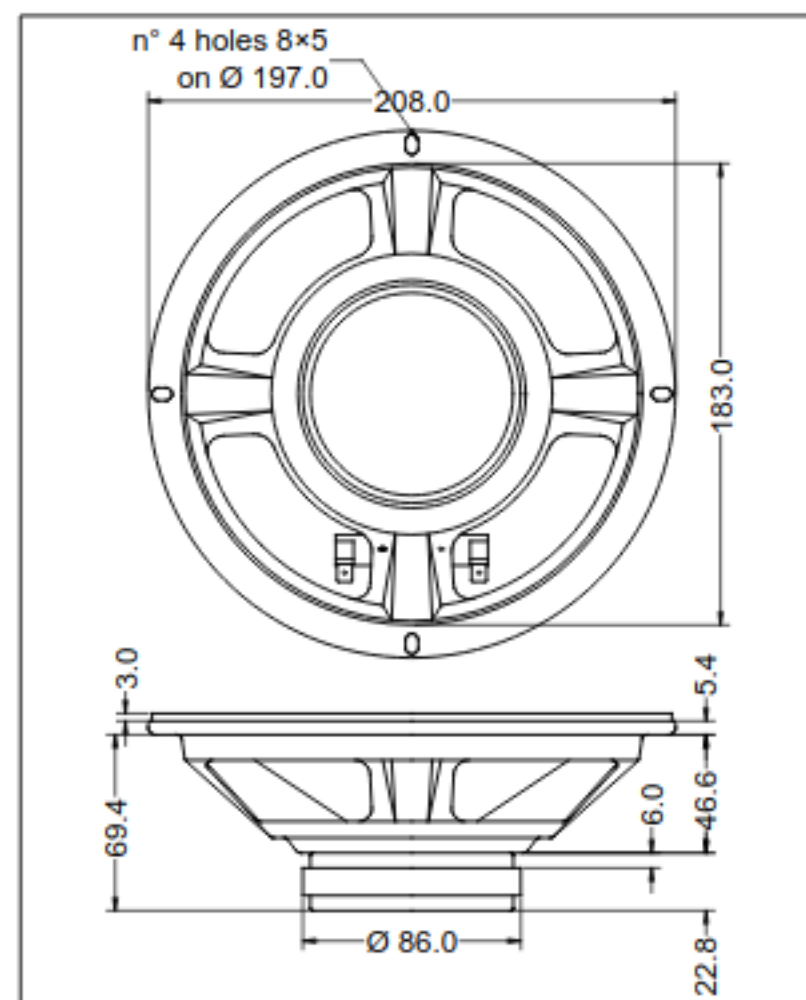
Voice Coil DC Resistance	R_E	3.12	Ω
Resonance Frequency	f_s	77.6	Hz
Mechanical Q Factor.....	Q_{MS}	4.98	
Electrical Q Factor.....	Q_{ES}	1.16	
Total Q Factor	Q_{TS}	0.94	
Mechanical Moving Mass	M_{MS}	13.3	g
Mechanical Compliance.....	C_{MS}	316	μm/N
Force Factor	$B \times l$	4.18	Wb/m
Equivalent Acoustic Volume.....	V_{AS}	20.5	lt.
Maximum Linear Displacement	X_{MAX}	+/-1.5	mm
Reference Efficiency	η_D	0.79	%
Diaphragm Area	S_D	213.8	cm ²
Losses Electrical Resistance.....	R_{ES}	13.4	Ω
Voice Coil Inductance @ 1kHz	L_E	0.24	mH

CONSTRUCTIVE CHARACTERISTICS

Magnet.....	Ferrite
Voice Coil Winding.....	Copper
Voice Coil Former.....	Epotex
Cone	Paper
Surround.....	Treated Cloth
Dust Dome	Dual-Cone
Basket	Pressed Sheet Steel

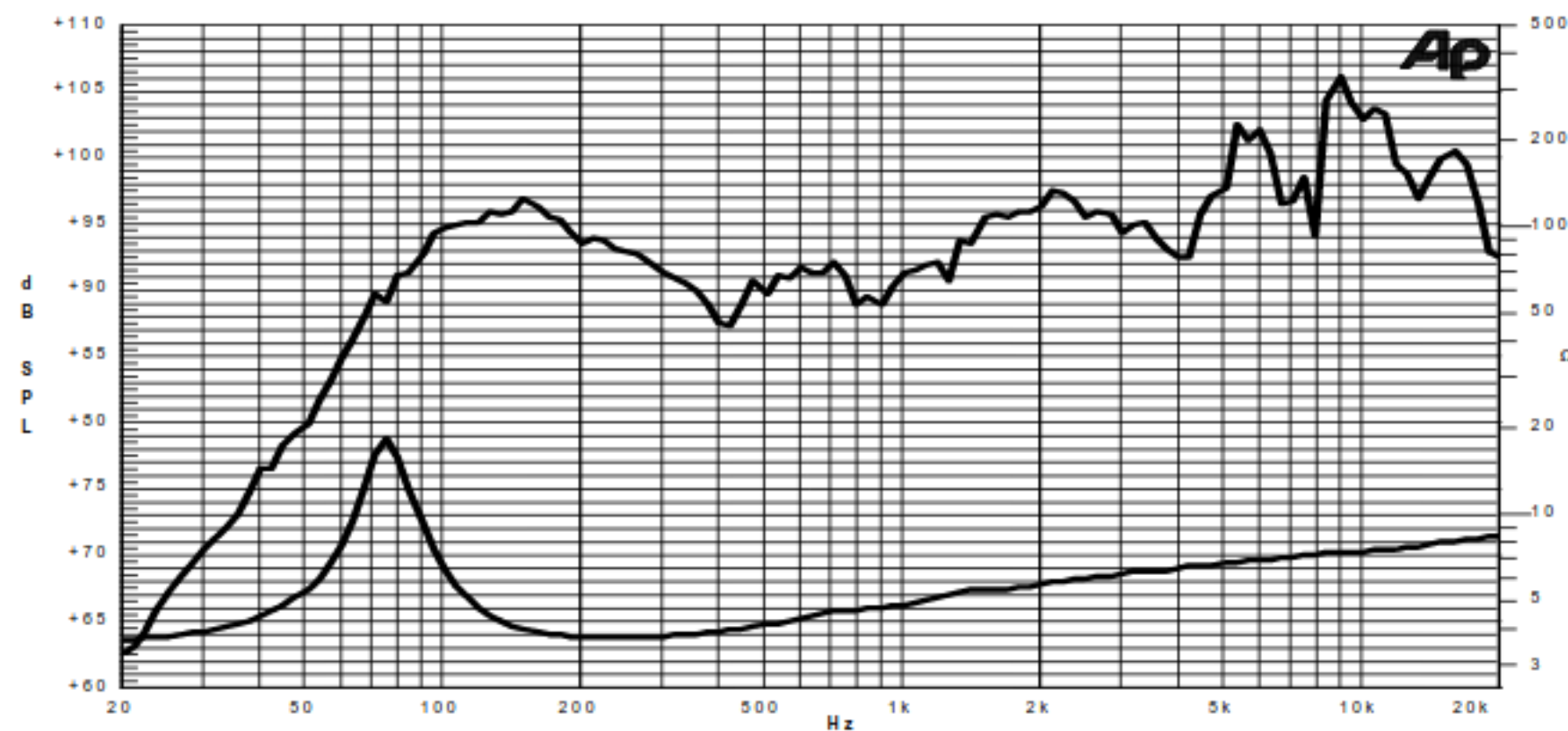
ELECTRICAL CHARACTERISTICS

Nominal Impedance.....	4	Ω
Musical Power	90	W
Rated Power*	45	W
Sensitivity @ 1 W, 1 m	92.3	dB



*rated power measured with 2 hours test with pink noise signal, 6 dB crest factor, loudspeaker mounted on enclosure
Thiele-Small parameters measured with LASER system

Frequency Response on IEC Baffle (DIN 45575) @ 1 W, 1 m - Free Air Impedance



Due to continuing product improvement, the features and the design are subject to change without notice.

01/02/12