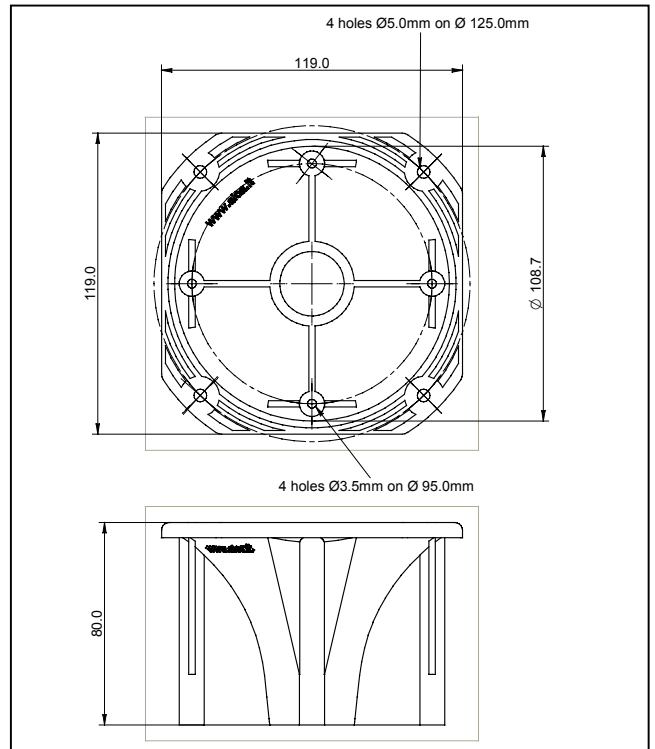
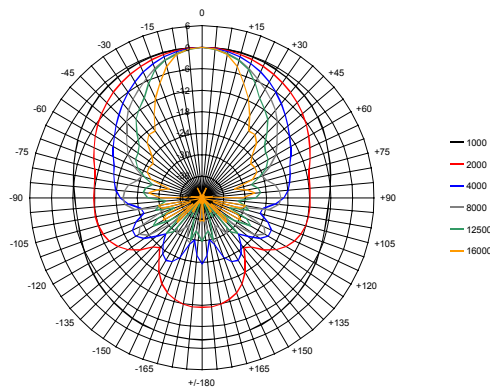


## Horn - Code Q07032B

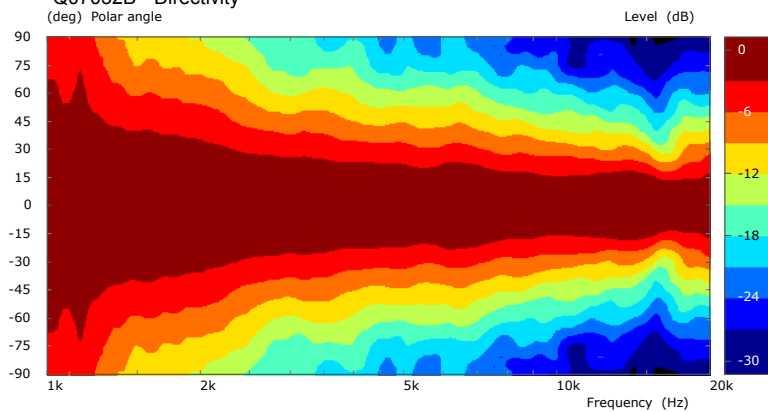
SPECIFICATIONS		
Throat Diameter .....	25.4	mm (1")
Cutoff Frequency .....	2.0	Hz
Net Weightl .....	0.10	Kg
Horizontal coverage .....	80°	
Vertical coverage .....	80°	
Material.....	Plastic	
Shape .....	Round (Square contour)	
MOUNTING INFORMATION		
Overall Dimensions .....	119x119x80 mm	
Baffle Cutout Dimensions.....	Φ109 mm	
Mounting Holes .....	4 holes Φ5.0 mm	
NOTE		



Q07032B Polar Pattern



Q07032B - Directivity  
(deg) Polar angle



Due to continuing product improvement, the features and the design are subject to change without notice.

01/04/11