

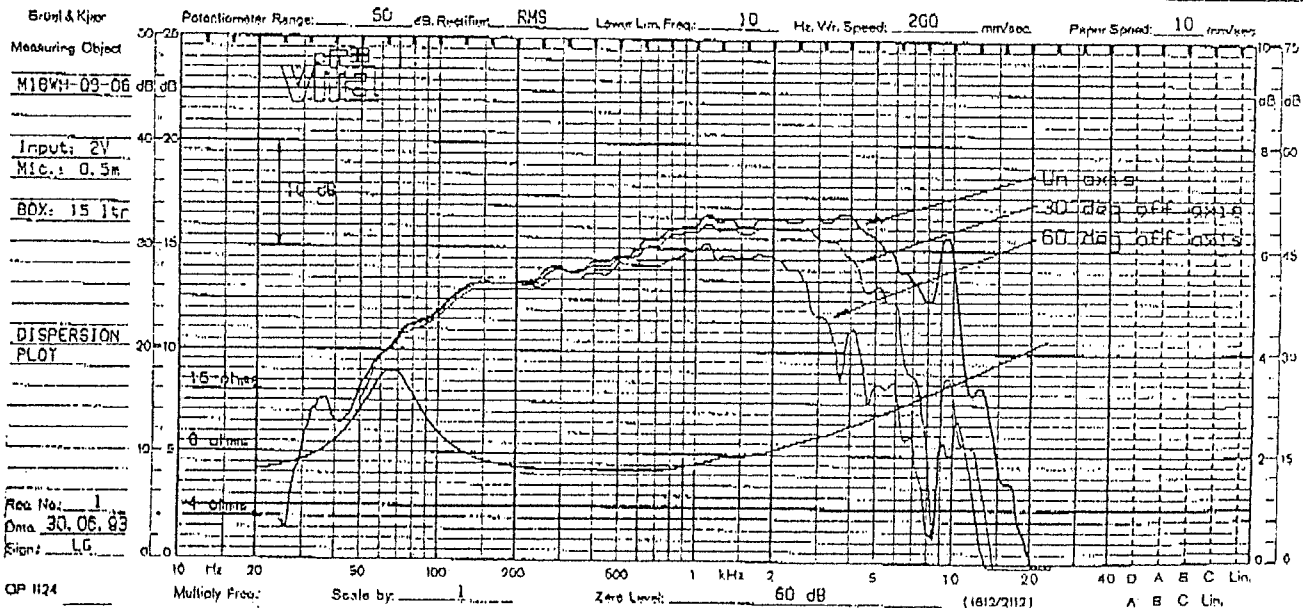
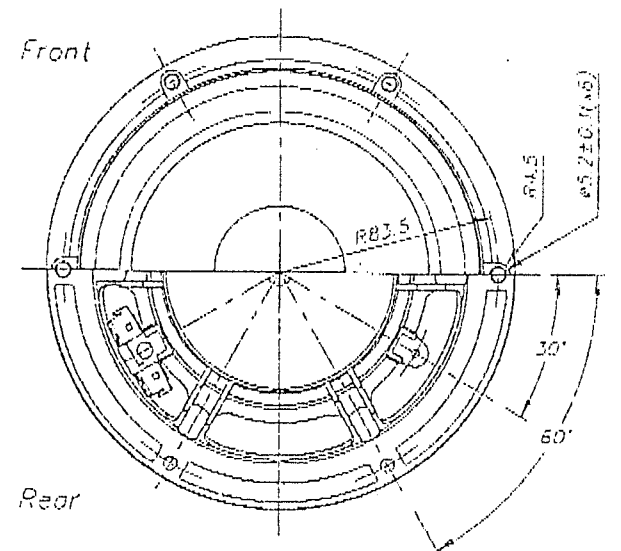
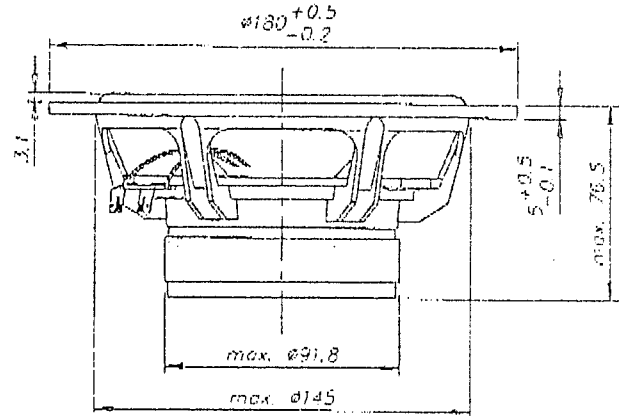
6 1/2" WOOFER

M18WH-08-08

SPECIAL FEATURES:

- LONG STROKE, LOW REFLEXION, MAGNESIUM BASKET
- LOW DISTORTION MOTOR SYSTEM
- LINEAR/LOW LOSS SUSPENSION
- OPTIMIZED AS BASS/MIDRANGE DRIVER FOR 2-WAY SYSTEMS
- OPTIMIZED FOR 14-22 L BASS REFLEX

NOMINAL IMPEDANCE	8 Ω
VOICE COIL RESISTANCE	5.6 Ω
NOMINAL POWER (IEC 268-5)	60 W
MUSIC POWER (DIN 45500)	80 W
OPERATING POWER	5 W
SENSITIVITY (1W, 1m) / (2.83V, 1m)	89/89 dB
FREQUENCY RANGE	30-4000 Hz
FREE AIR RESONANCE	29.5 Hz
VOICE COIL DIAMETER	25 mm
VOICE COIL HEIGHT	14 mm
AIR GAP HEIGHT	4 mm
VOICE COIL INDUCTANCE	0.53 mH
EFFECTIVE CONE AREA	136 cm ²
MOVING MASS (incl. air)	12 g
MAGNET WEIGHT (14.6 oz)	415 g
FORCE FACTOR, BxI	5.4 Txm
Vas	63 ltr
Qms	1.48
Qes	0.44
Qts	0.34



M18WH-08-08

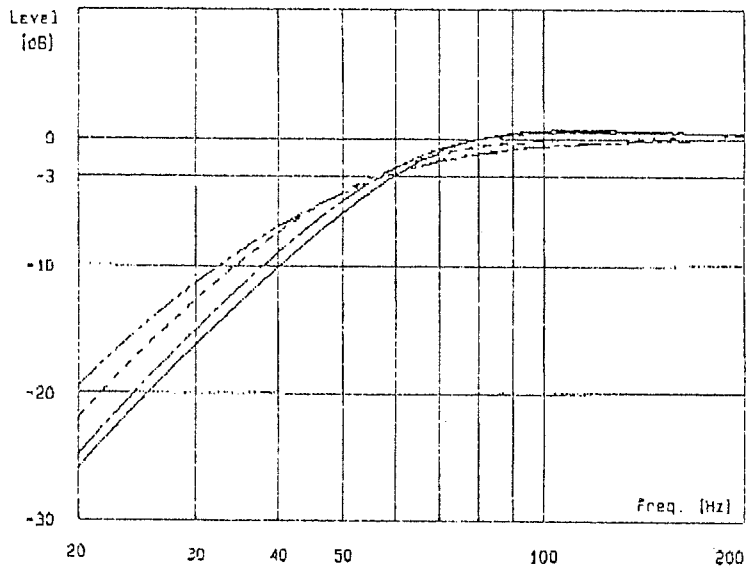
Applications

BASS REFLEX SYNTHESIS

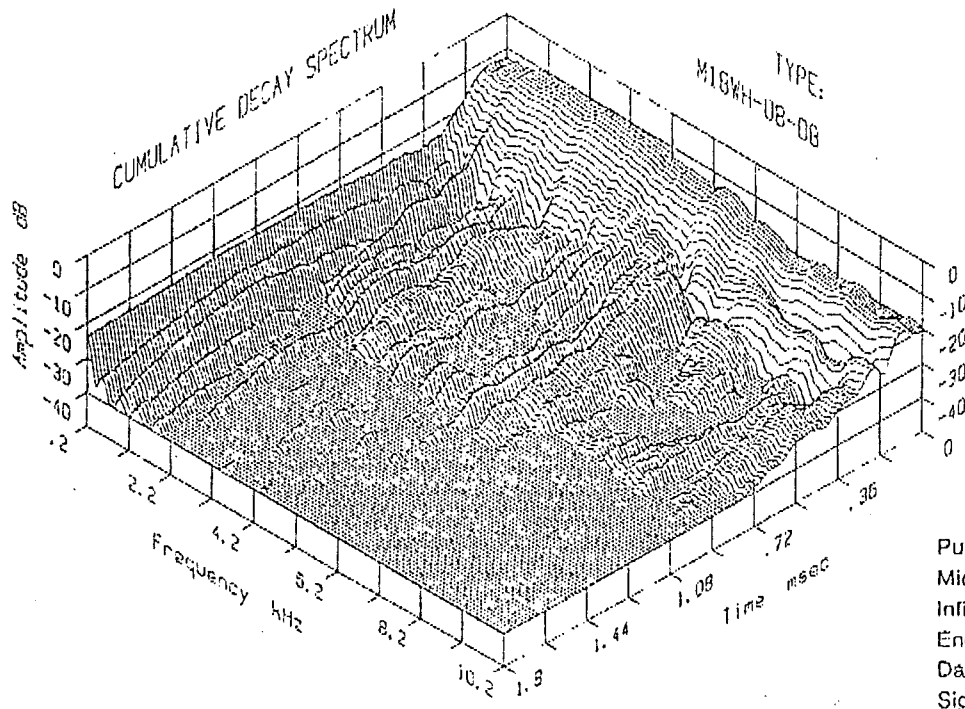
Moderate Damping of Box
 No Deliberate Damping of Port

	Vb (Litres)	Fb (Hz)	Op (cm)	Lp (cm)
1	14	44	4.5	14.2
2	16	42	4.5	13.5
3	19	38	4.5	16.0
4	21	31	4.5	20.2

Vb: Box volume
 Fb: Tuning Frequency
 Op: Port Diameter
 Lp: Port Length



The M18WH-08-08 is designed for 2-way systems of 14-22 litre volume, but can be used in larger volumes as bass driver in 3-way systems. The bass reflex synthesis is calculated with 0.5Ω series resistance.



Pulse: 10 V/25 μS
 Mic.: 0.15 m
 Infinite baffle
 Enclosure: 320 l
 Date: 29.06.93
 Sign.: LG

Stationsvej 5 • Postbox 39 • DK-6920 Videbæk • Tlf. 97 17 17 22 • Int. tel.: +45 97 17 17 22 • Telefax: +45 97 17 16 96
 Postgiro 9 03 79 50 • Akts. reg.nr.: 209648 • Bank: A/S Ringkjøbing Bank, Videbæk afd. • SWIFT address RIBA DK 22, Telex 62442