

SPECIFICATIONS

PR275BD01 10³/₄" die cast, composite cone passive radiator

PR275BD01 is a passive unit designed for dedicated subwoofer applications - as partner for our active subwoofer units.

Due to low mechanical losses it masters equally well low level details and extreme dynamic requirements.

For demanding sub bass applications using a passive unit is usually the only real alternative to sealed enclosures with active bass boost.

To make experimenting and individual tuning convenient and easy, PR275BD01 is delivered with three separate extra loads that are easily applied onto a threaded rod on the rear side of the cone.



Three exchangeable weights for custom tuning

FEATURES

- Very rigid Mica/Paper composite cone to ensure piston motion even at high levels - for reduced distortion
- Rigid die cast alu chassis with extensive venting for lower air flow speed reducing audible distortion
- Low-loss suspension (high Qm) for better reproduction of details and dynamics
- Conex spider for better durability under extreme conditions
- Custom tunable by adding one or more of the three extra weights (included)
- Delivered with foam gasket attached for hassle free mounting and secure cabinet sealing

NOMINAL SPECIFICATIONS

Notes	Parameter	Before burn-in	After burn-in	Unit
	Nominal size	10%		[inch.]
	Effective radiating area, S _d	314		[cm ²]
1	Resonance frequency (free air, no baffle), F _s - without additional mass - with additional 50 g mass - with additional 100 g mass - with additional 150 g mass - with additional 200 g mass - with additional 250 g mass - with additional 300 g mass - with additional 350 g mass	19.5 17.4 15.8 14.6 13.6 12.8 12.2 11.6		[Hz]
2	Moving mass, incl. air (free air, no baffle), M _M , without extra weights	190		[g]
1	Suspension compliance, C _m	0.35		[mm/N]
1	Equivalent air volume, V _{as}	49		[lit.]
1	Mechanical Q, Q _M - without additional mass - with additional 50 g mass - with additional 100 g mass - with additional 150 g mass - with additional 200 g mass - with additional 250 g mass - with additional 300 g mass - with additional 350 g mass	19 21.4 23.5 25.4 27.2 28.9 30.5 32.0		[-]
	Maximum cone travel, mechanical limits, X _{max}	±25		
	Total unit net weight excl. packaging	1.49		[kg]

Note 1 The unit is not burned in before shipping.

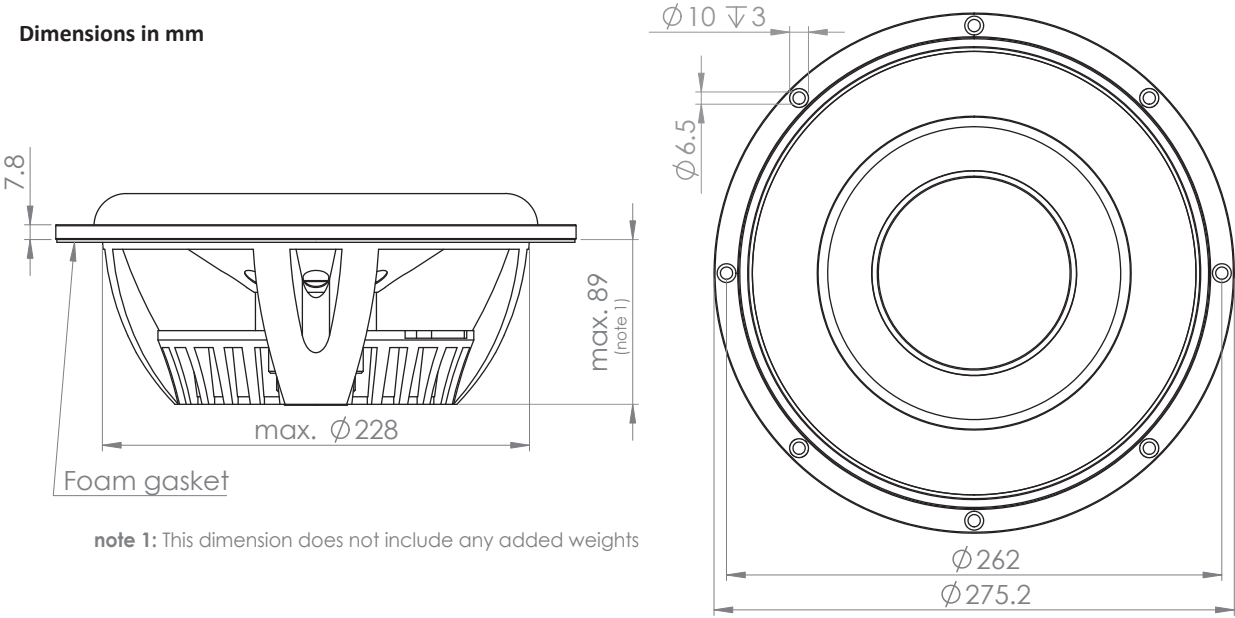
Note 2 The moving mass may be increased in 50 g steps up to a maximum of +350 g by adding one or more of the three extra weights that are included with the unit.

SPECIFICATIONS

PR275BD01 10³/₄" die cast, composite cone passive radiator

OUTLINE DRAWING (nominal dimensions)

Dimensions in mm



note 1: This dimension does not include any added weights

PACKAGING AND ORDERING INFORMATION

Part no. PR275BD01-01	Individual packaging (one piece per box), incl. 3 detachable weights
-----------------------	--

Latest update: July 24, 2022